

# New Pagnell 2 Dr 2 Drw Wardrobe

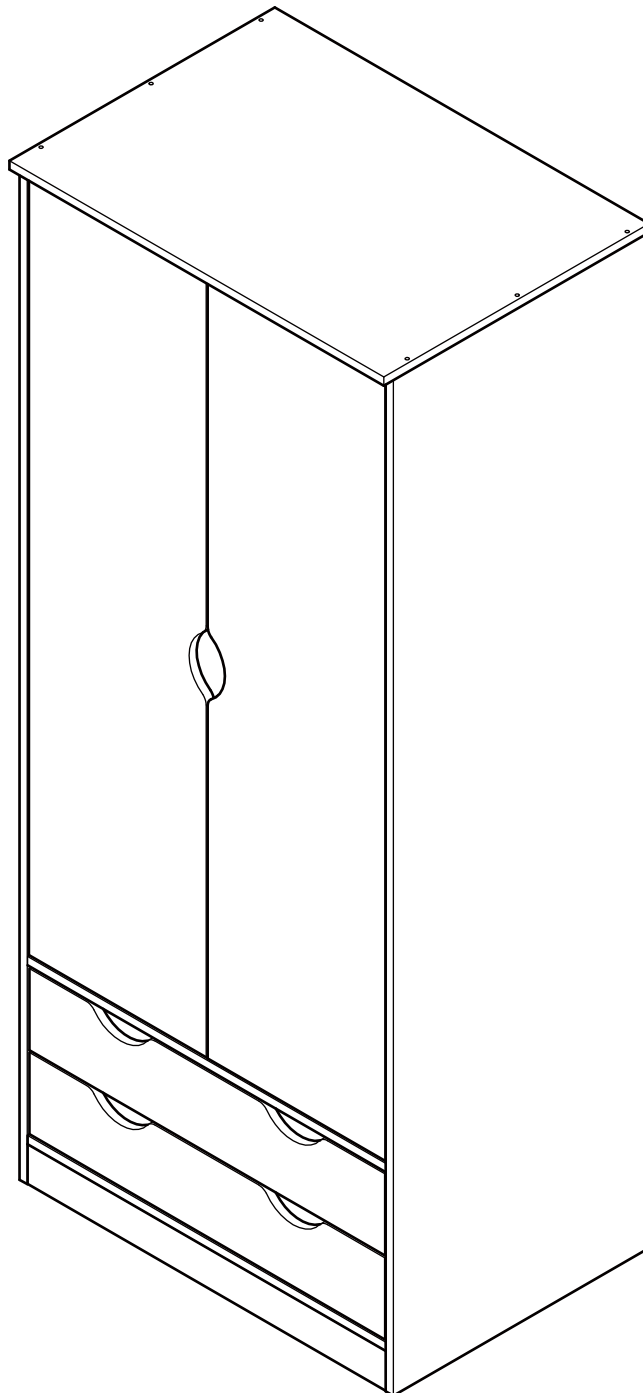
Assembly Instructions - Please keep for future reference

601/9435

601/6524

601/8436

**H O**  
**M E**  
**BY ARGOS**



## Dimensions

Width - 76cm

Depth - 54.5cm

Height - 180.5cm

**Important** - Please read these instructions fully before starting assembly

If you need help or have damaged or missing parts, call the **Customer Helpline:**  
**Argos = 0345 6400800**



# Safety and Care Advice

**Important – Please read these instructions fully before starting assembly**

- Check you have all the components and tools listed on the following pages.
- Remove all fittings from the plastic bags and separate them into their groups.
- Keep children and animals away from the work area, small parts could choke if swallowed.
- Make sure you have enough space to layout the parts before starting.
- Do not use this item if any components are missing or damaged.
- During assembly do not stand or put weight on the product, this could cause damage.
- Assemble the item as close to its final position (in the same room) as possible.
- Assemble on a soft level surface to avoid damaging the unit or your floor.
- During assembly children should be kept away from the product due to possible risk of injury.
- Parts of the assembly will be easier with 2 people.



- To reduce the likelihood of damaging your product please ensure that your power drill is set on a low torque setting.

**Glue safety - Take care when using glue, please follow the advice below**

**Skin contact:** Remove contamination by washing with soap and water. This procedure should also be followed prior to eating and drinking.

**Eye contact:** Rinse immediately with clean water for 15 minutes and seek medical advice.

**If swallowed:** Seek medical advice immediately.

## Care and maintenance

• Only clean using a damp cloth and mild detergent, do not use bleach or abrasive cleaners.

• From time to time check that there are no loose screws on this unit.

• This product should not be discarded with household waste. Take to your local authority waste disposal centre.

## Handy Hints

• Assemble all parts and bolts loosely during assembly, only once the product is complete should you fully tighten the bolts

• Regularly check and ensure that all bolts and fittings are tightend properly.

## IMPORTANT: RETAIN THESE INSTRUCTIONS FOR FUTURE REFERENCE

• Argos Ltd. MK9 2 NW.

• This product is intended for children in the age 6 or above.

• Assembly of this product must be carried out by a competent adult.

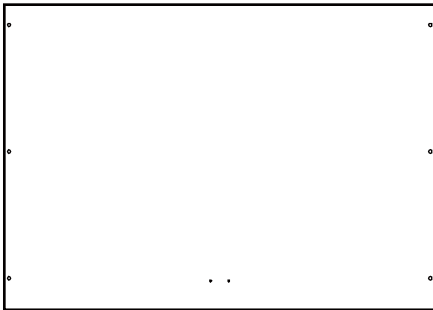
• Maximum load:  
50 kgs (inside of wardrobe).

**Note:** if required the next page can be cut out and used as reference throughout the assembly. Keep this page with these instructions for future reference.

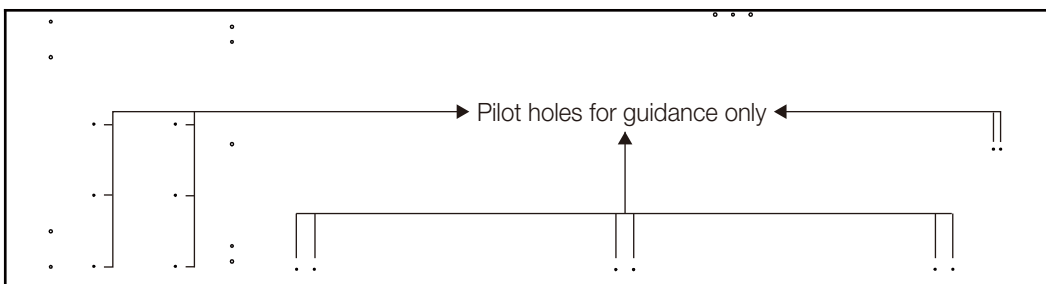
# Components - Panels

If you have damaged or missing components, call the  
Customer Helpline: Argos = 0345 6400800

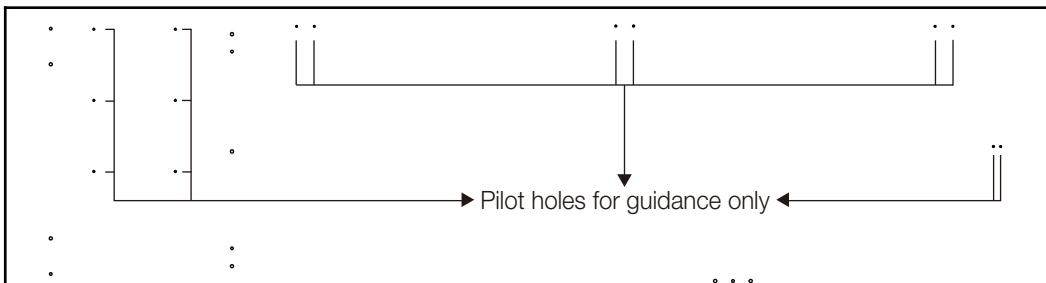
Please check you have all the panels listed below



**1** Top panel (76.2 x 54cm)



**2** Right side panel (179 x 52cm)



**3** Left side panel (179 x 52cm)



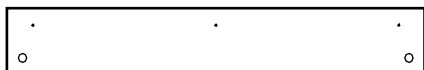
**4** Middle panel (73 x 51.9cm)



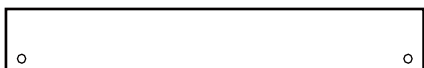
# Components - Panels

If you have damaged or missing components, call the  
Customer Helpline: Argos = 0345 6400800

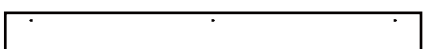
Please check you have all the panels listed below



**5** Bottom panel (73 x 11cm)



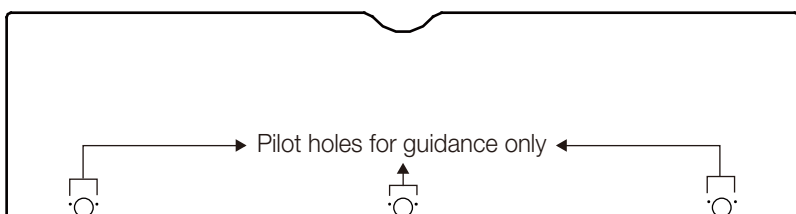
**6** Bottom support (73 x 11cm)



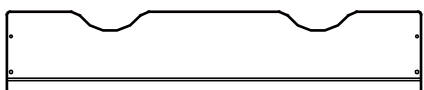
**7** Front panel (73 x 7cm)



**8** Middle support (73 x 11cm)



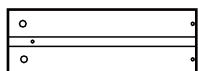
**9** Door x 2 (138.2 x 36.1cm)



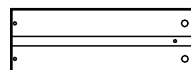
**10** Drawer front panel x 2 (72.3 x 14.4cm)



**11** Drawer back panel x 2 (69.8 x 11.5cm)



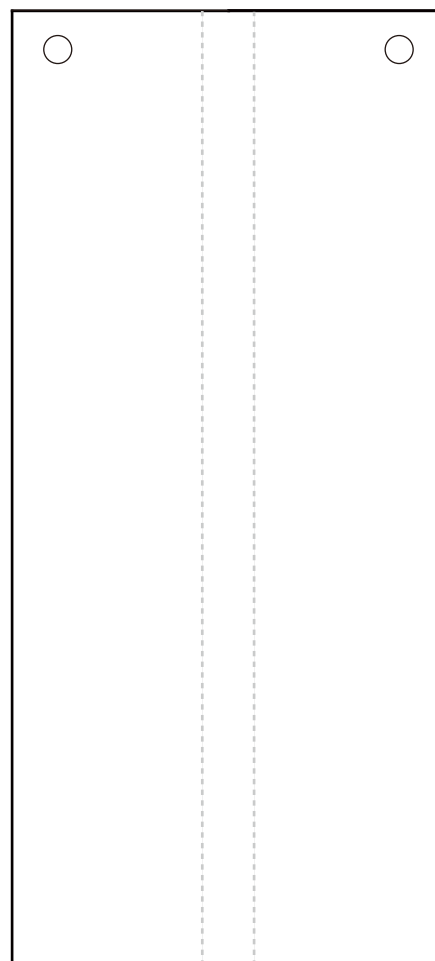
**12** Drawer right side panel x 2  
(34 x 11.5cm)



**13** Drawer left side panel x 2  
(34 x 11.5cm)



**14** Drawer bottom panel x 2  
(70.7 x 33.6cm)





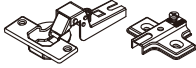



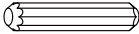
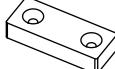
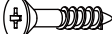




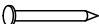







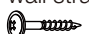

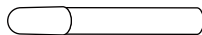

**15** Back panel (75.8 x 173.2cm)



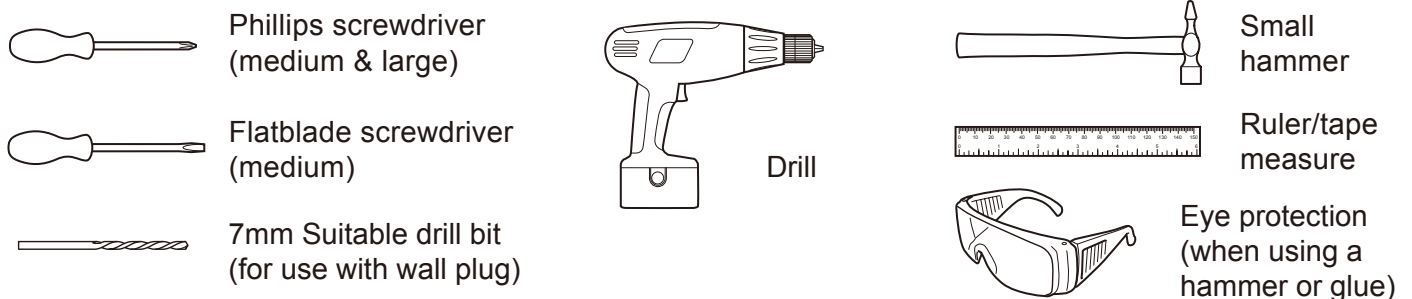
# Components - Fittings

Please check you have all the fittings listed below

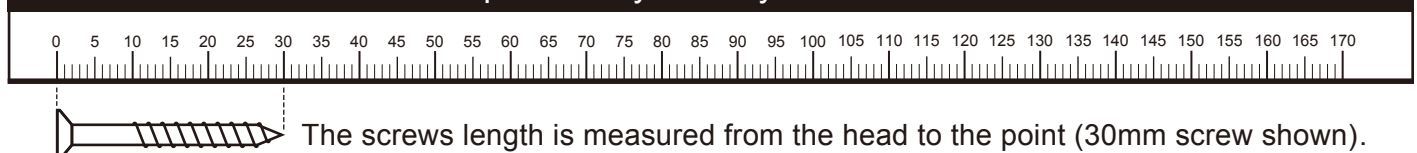
**Note:** The quantities below are the correct amount to complete the assembly. In some cases more fittings may be supplied than are required.

<b>A</b>  Runner x 4	<b>B</b>  (This screw is included in the bag of runner) 12mm Screw x 12	<b>C</b>  Door hinge x 6
<b>D</b>  (This screws is included in the door hinge bag) 15mm Screw x 24	<b>E</b>  Rail Support x 2	<b>F</b>  39mm Locking pin x 18
<b>G</b>  30mm Dowel x 14	<b>H</b>  Door stop x 2	<b>I</b>  20mm Screw x 4
<b>J</b>  Plastic support x 3	<b>K</b>  14mm Screw x 8	<b>L</b>  15mm Locking nut x 10
<b>M</b>  50mm Screw x 6	<b>N</b>  Nail x 30	<b>O</b>  12mm Locking nut x 8
<b>P</b>  30mm Screw x 8	<b>Q</b>  Clothes rail x 1	<b>R</b>  12mm Screw x 4
<b>S</b>  Door pad x 4	<b>T</b>  15mm Screw x 4	<b>U</b>  (This screw is included in the wall strap bag) Wall strap x 2  x 2
<b>V</b>  Wall plug x 2	<b>W</b>  Glue x 1	<b>X</b>  Ventilation holes cover x 2

## Tools required



## Ruler - Use this ruler to help correctly identify the screws



# Assembly Instructions

## Step 1

### Attaching runners and hinges

**a:** Position Runners **A** in front edge of the Right side panel **2**.

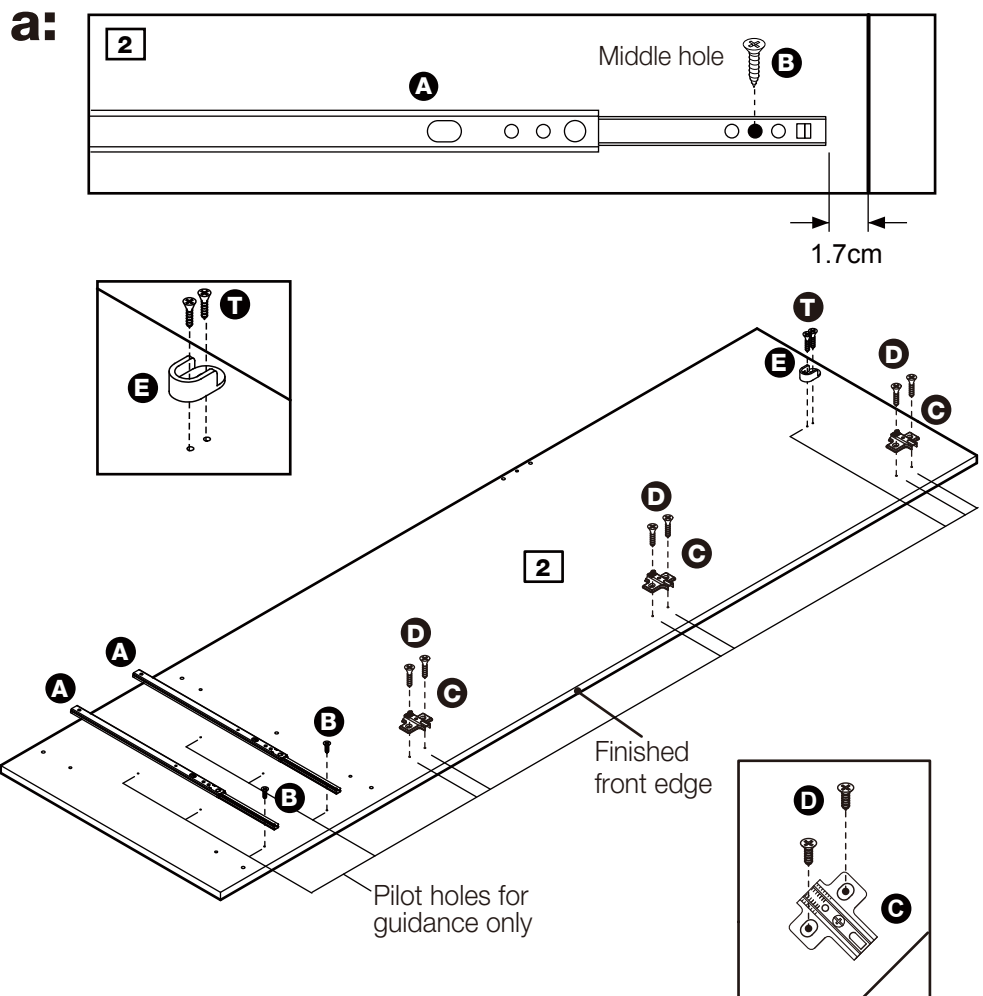
Slide top of the Runner **A** back.

Use Screws **B** to fix the Runners **A** on the Right side panel **2**.

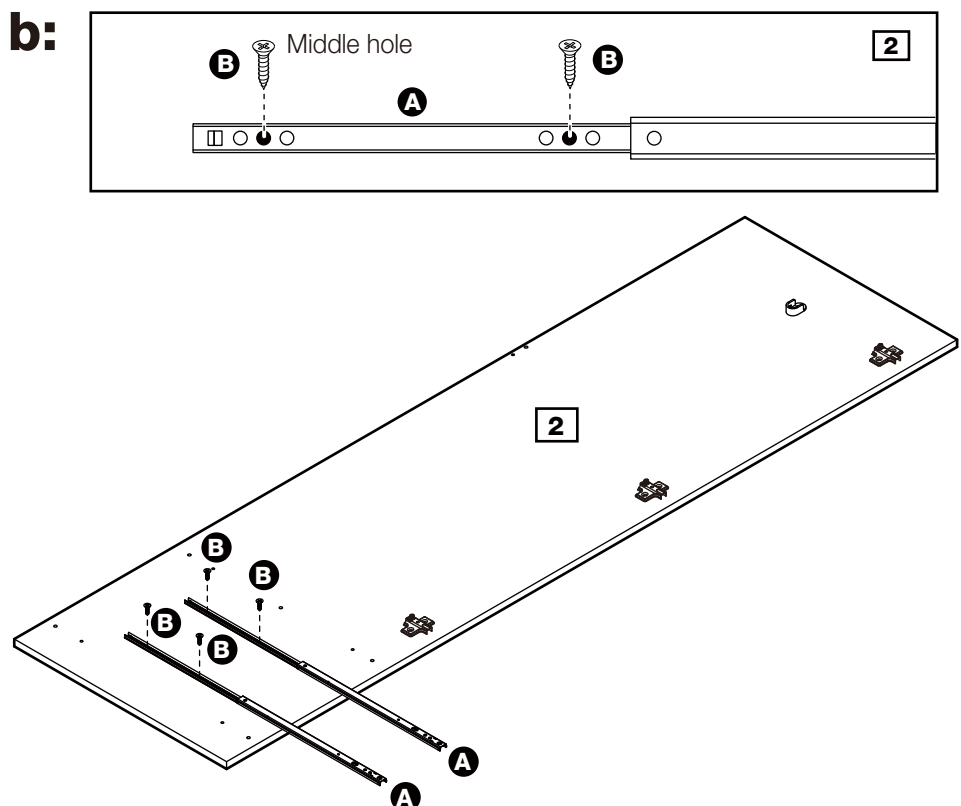
**Note:** The front part of the runner should be approximately 1.7cm from the front edge of the panel.

Use Screws **D** to fix the Door hinges **C** 'back plates' onto the Right side panel **2**.

Use Screws **T** to fix the Rail support **E** on the Right side panel **2**.



**b:** Slide top of Runners **A** forward and fix as shown using Screws **B**.



Continued on next page.

# Assembly Instructions

## Step 1 - continued

**c:** Position Runners **A** in front edge of the Left side panel **3**.

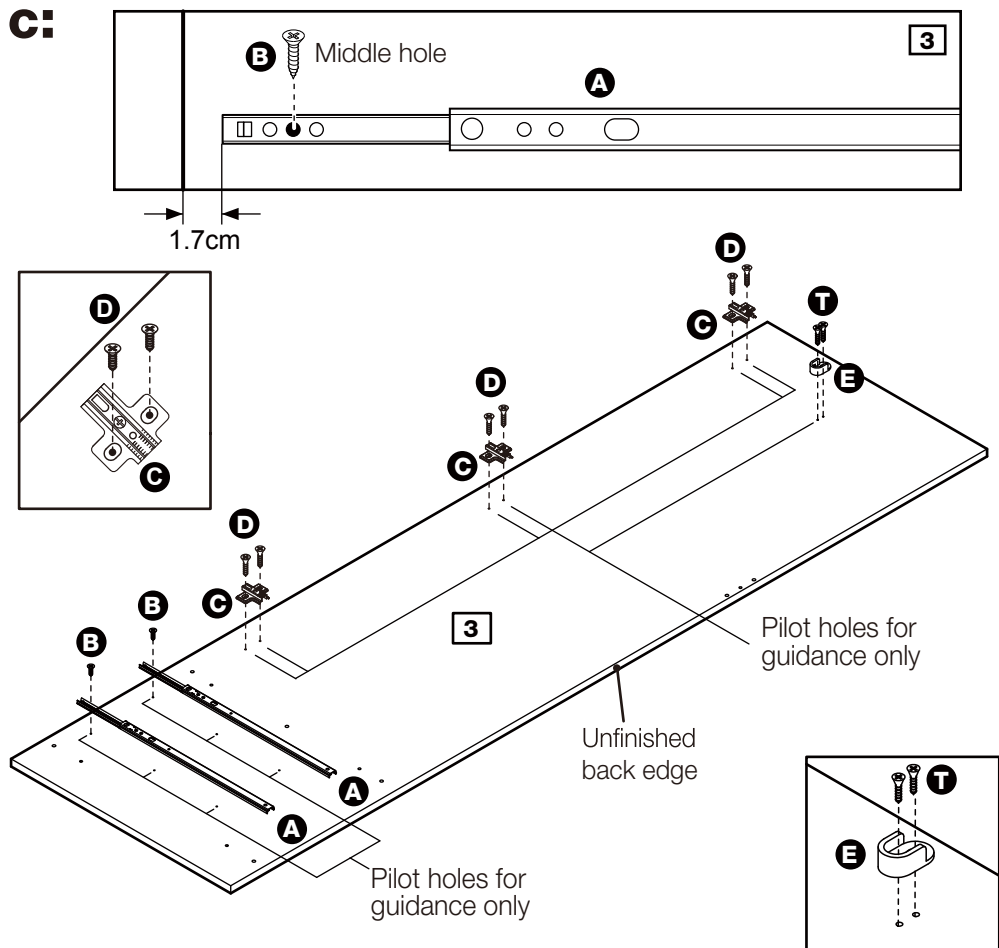
Slide top of the Runners **A** back.

Use Screws **B** to fix the Runners **A** on the Left side panel **3**.

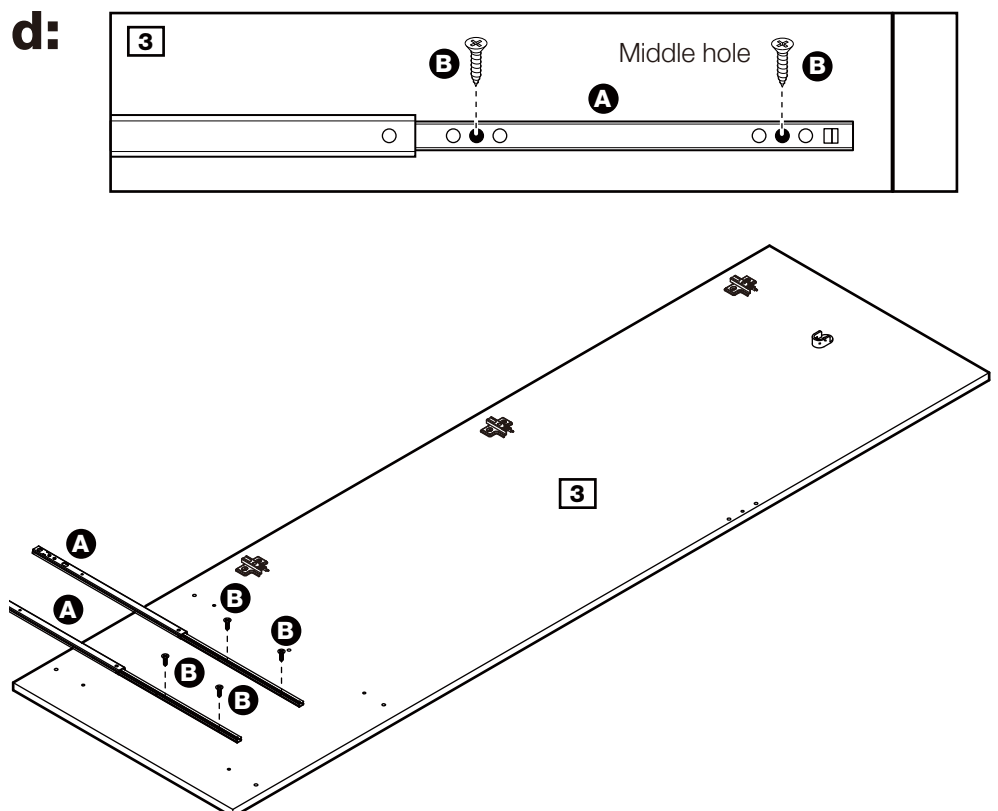
**Note:** The front part of the runner should be approximately 1.7cm from the front edge of the panel.

Use Screws **D** to fix the Door hinges **C** 'back plates' onto the Left side panel **3**.

Use Screws **T** to fix the Rail support **E** on the Left side panel **3**.



**d:** Slide top of Runners **A** forward and fix as shown using Screws **B**.



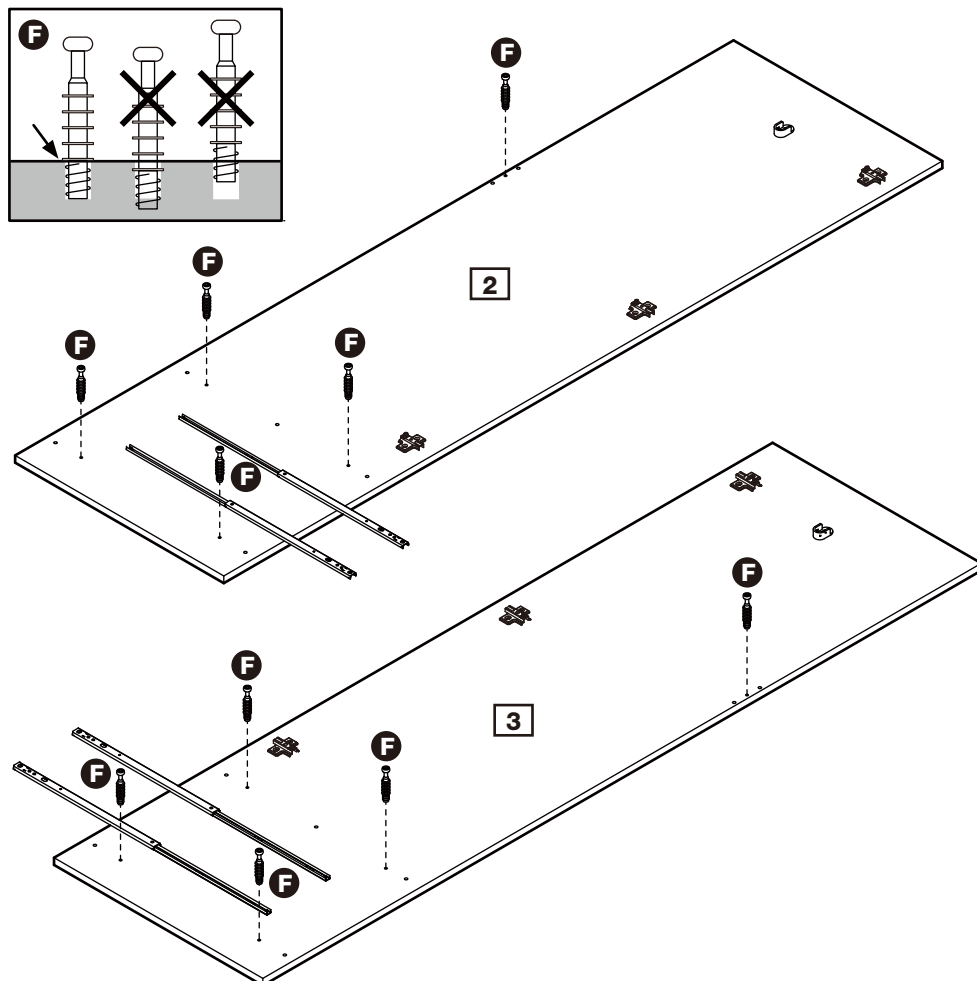
# Assembly Instructions

## Step 2

### Fitting locking pins

Screw Locking pins **F** into the Right side panel **2** and Left side panel **3**.

**Note:** Insert locking pins as far as shown.  
**Do not over tighten.**

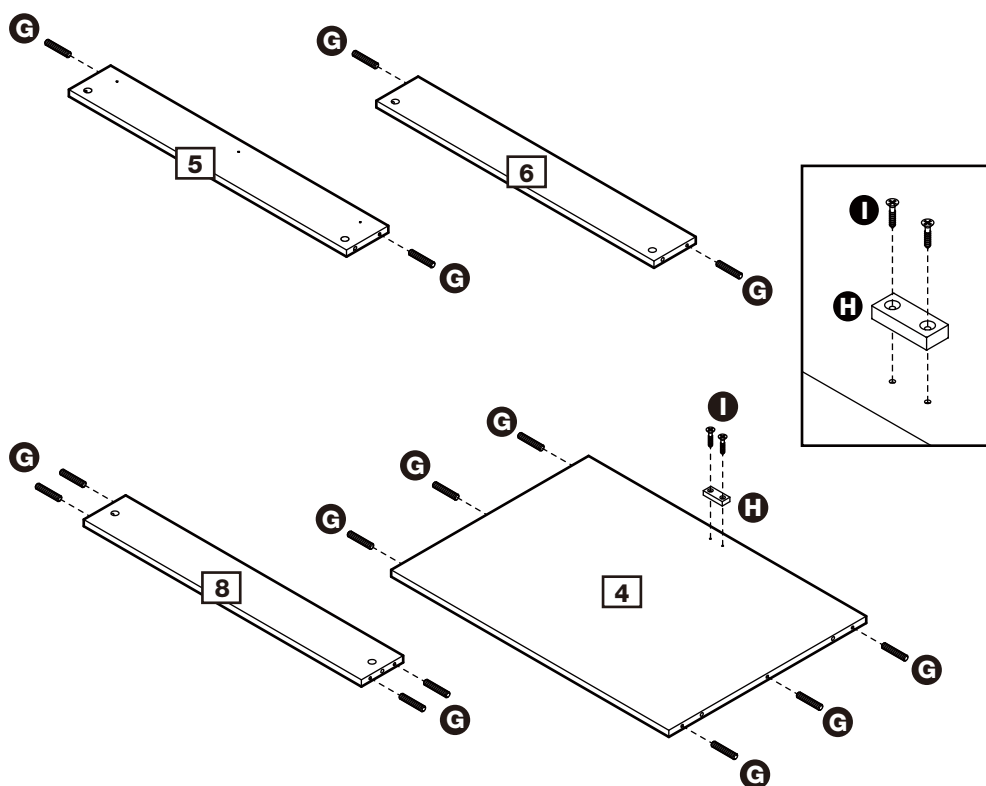


## Step 3

### Fitting dowels

Insert Dowels **G** into the Bottom panel **5**, Bottom support **6**, Middle support **8** and Middle panel **4**.

Use Screws **I** to fix Door Stop **H** onto the Middle panel **4**.





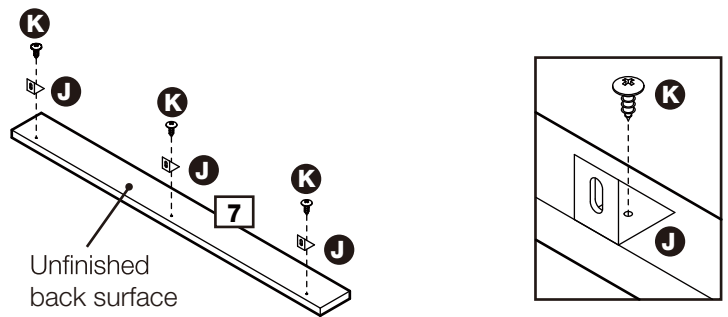
# Assembly Instructions

## Step 4

### Attaching plastic supports

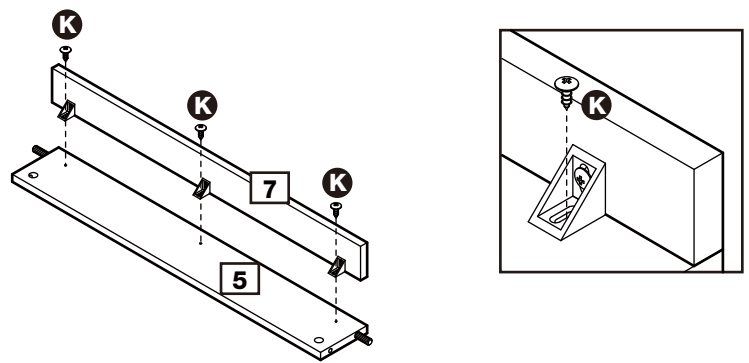
**a:** Use Screws **K** to fix Plastic supports **J** onto the Front panel **7**.

**a:**



**b:** Use Screws **K** to fix Front panel **7** onto the Bottom panel **5**.

**b:**



## Step 5

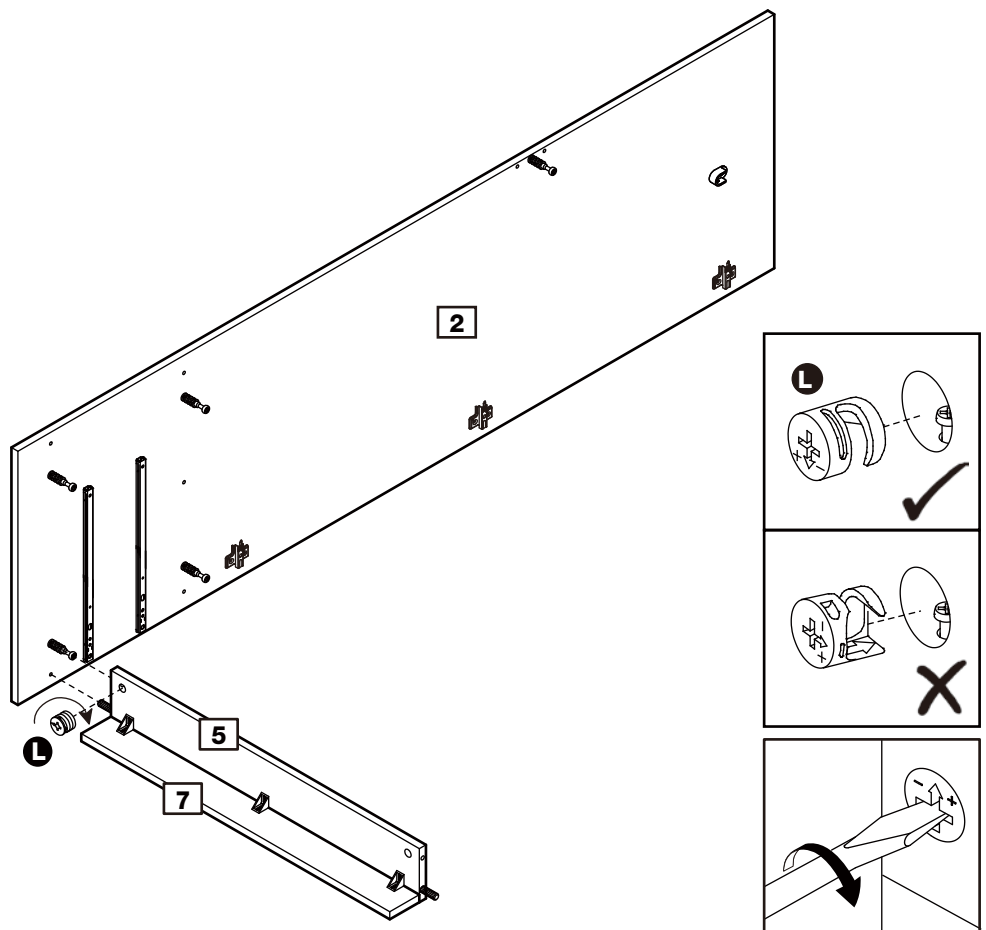
### Attaching front panel

**Note:** 2 people are need at this stage.

Position Front panel **7** and Bottom panel **5** onto the unit.

Insert Locking nuts **L** into the Bottom panel **5**.

Use a screwdriver to turn Locking nuts **L** clockwise to lock.



# Assembly Instructions

## Step 6

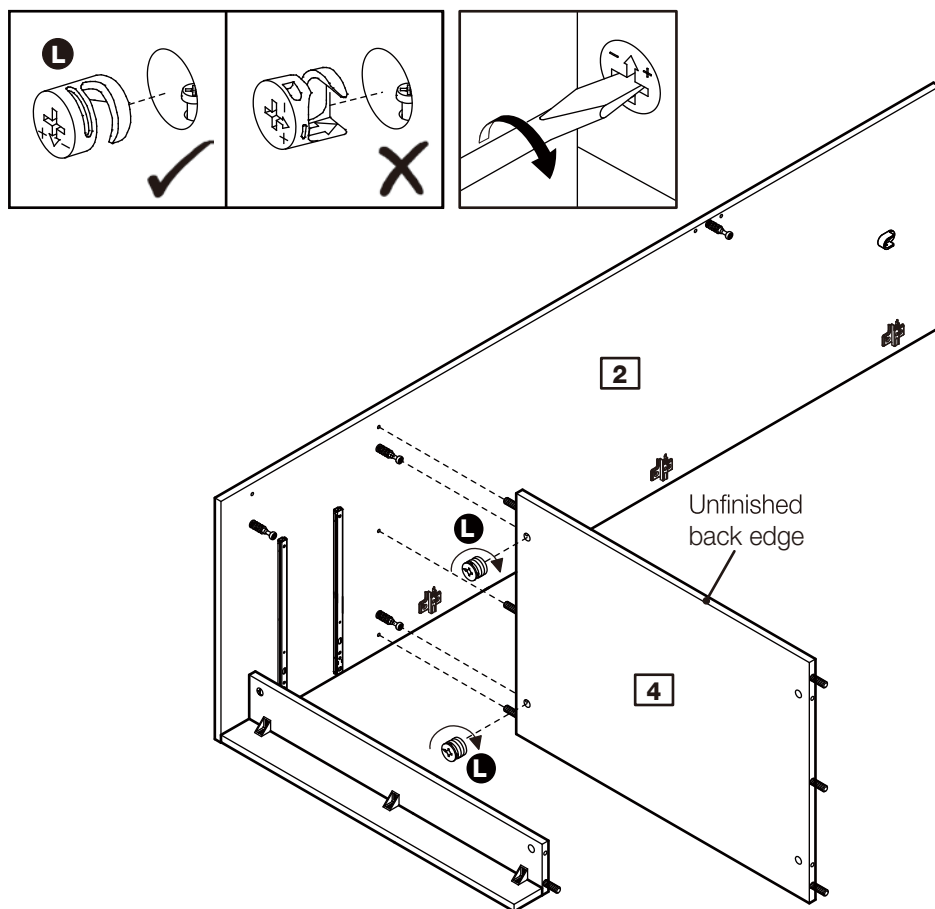
### Attaching middle panel

**Note:** 2 people are needed at this stage.

Position Middle panel **4** onto the unit.

Insert 2 Locking nuts **L** into the Middle panel **4**.

Use a screwdriver to turn Locking nuts **L** clockwise to lock.



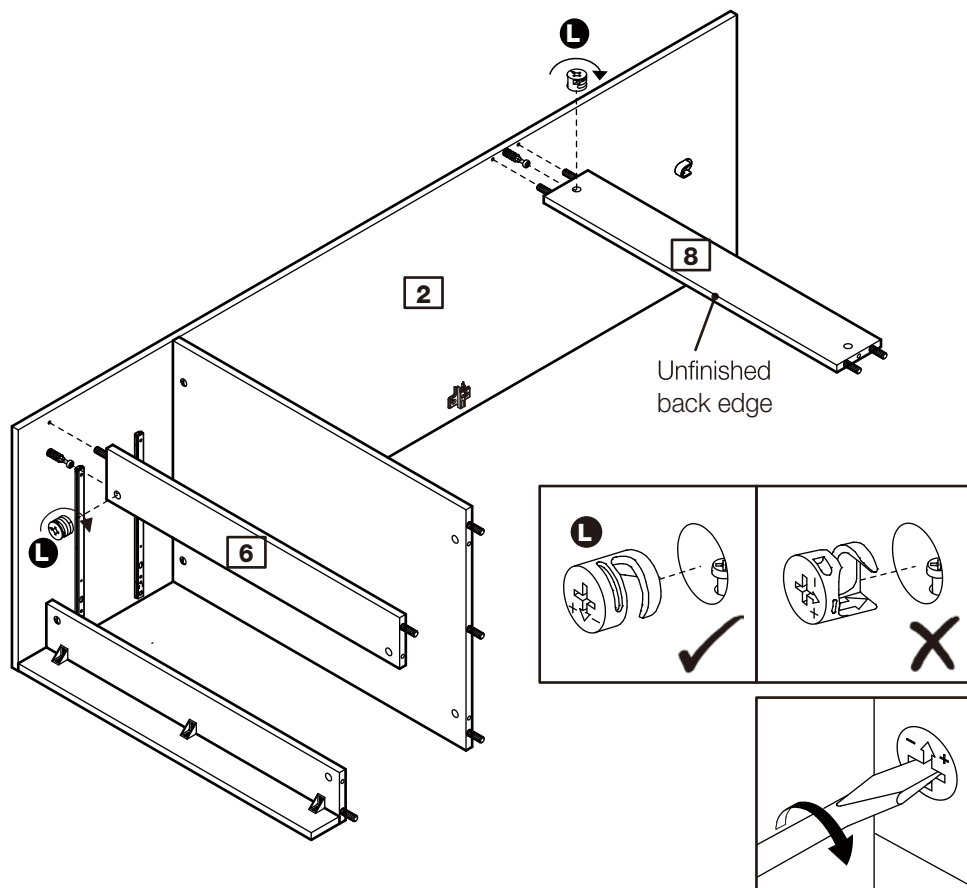
## Step 7

### Attaching back support and bottom support

Position Middle support **8** and Bottom support **6** onto the unit.

Insert 2 Locking nuts **L** into Middle support **8** and Bottom support **6**.

Use a screwdriver to turn Locking nuts **L** clockwise to lock.



# Assembly Instructions

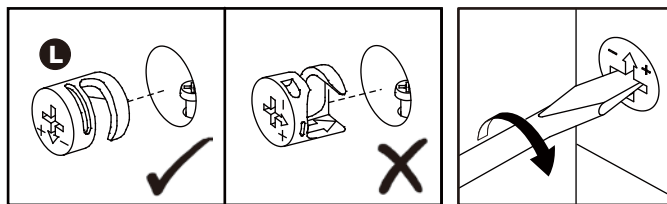
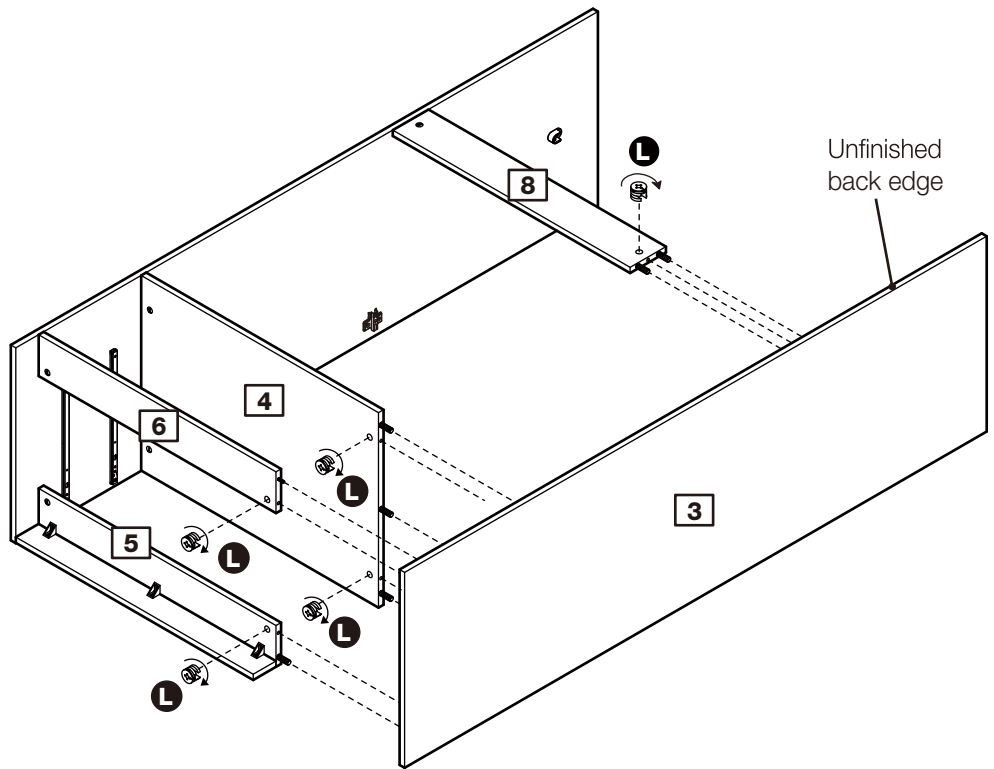
## Step 8

### Attaching left side panel

Position Left side panel **3** onto the unit.

Insert 5 Locking nuts **L** into the Bottom panel **5**, Bottom support **6**, Middle support **8** and Middle panel **4**.

Use a screwdriver to turn Locking nuts **L** clockwise to lock.

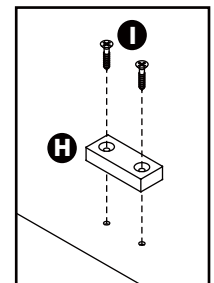
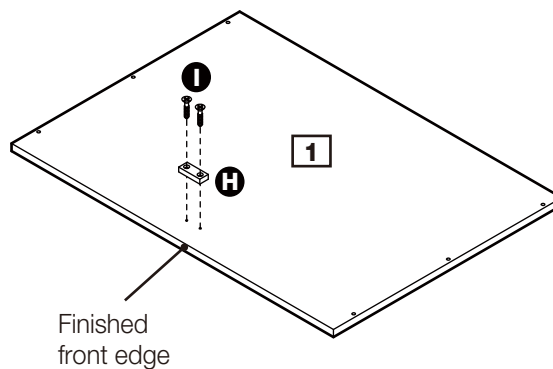


## Step 9

### Attaching top panel

**a:** Use Screws **I** to fix Door Stop **H** onto the Top panel **1**.

**a:**

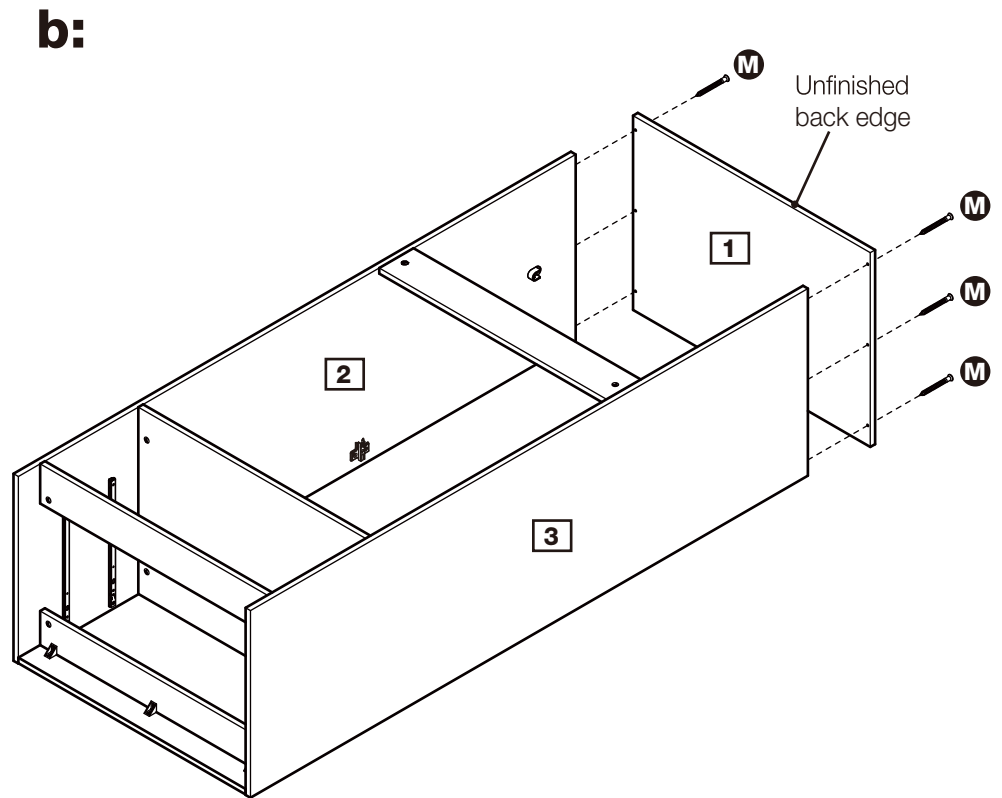


Continued on next page.

# Assembly Instructions

## Step 9 - continued

**b:** Use Screws **M** to fix Top panel **1** onto the unit.

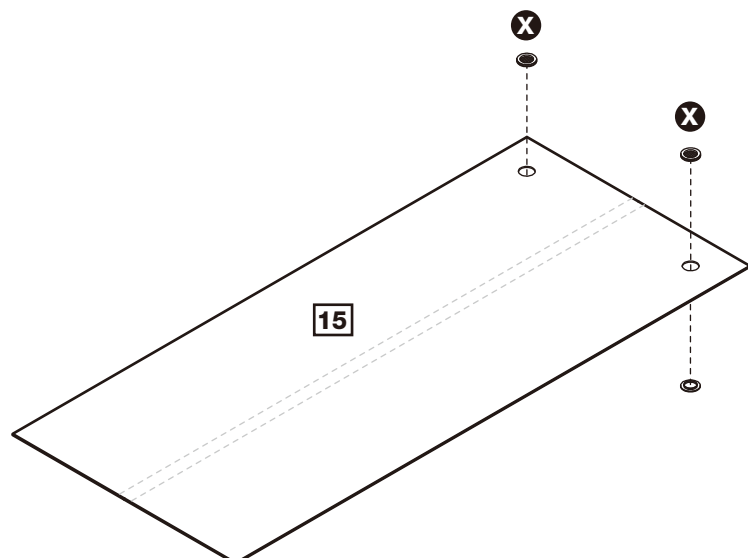
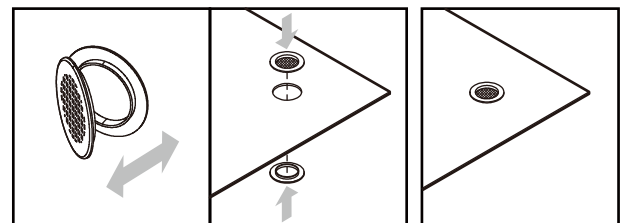


## Step 10

### Fixing back panel

**a:** Apart the Ventilation holes covers **X** first. Attach Ventilation holes covers **X** onto Back panel **15**, combine the covers.

**a:**



Continued on next page.

# Assembly Instructions

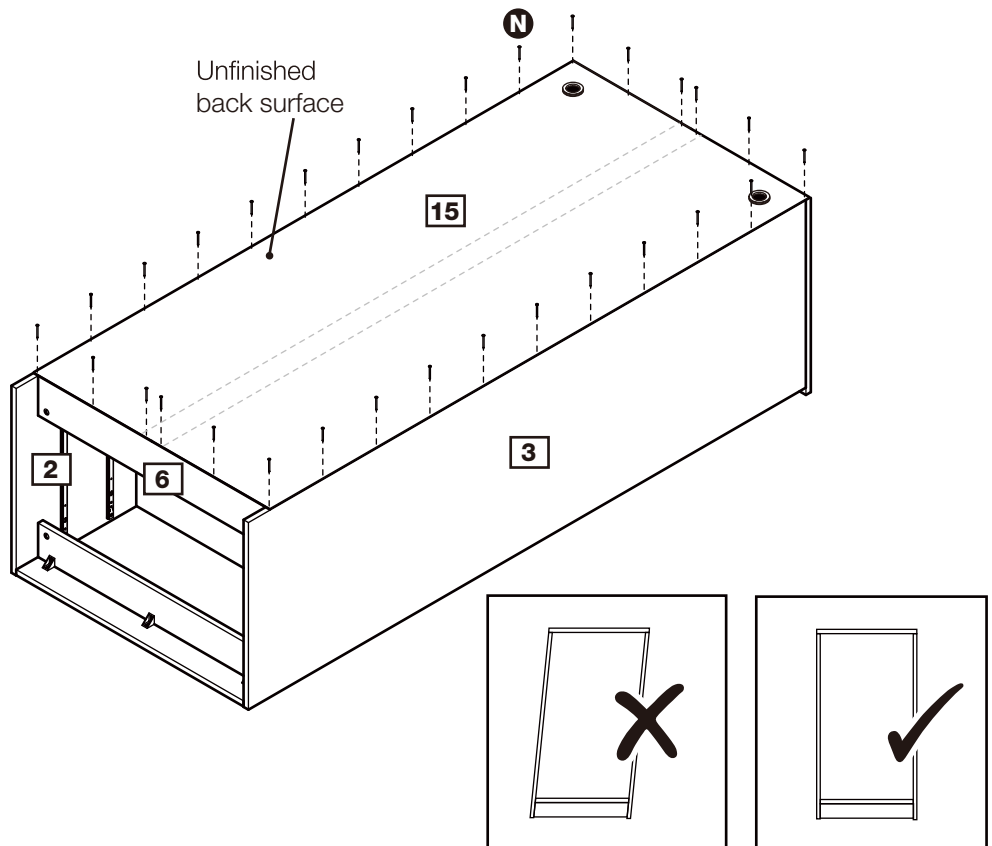
## Step 10 - continued

**b:** Attach Back panel **15** onto the unit using Nails **N**.



**Important:**  
The unit **MUST** be 'square' when back is attached.

**b:**



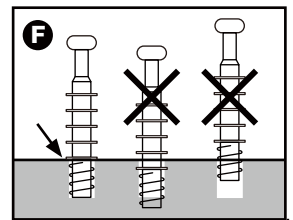
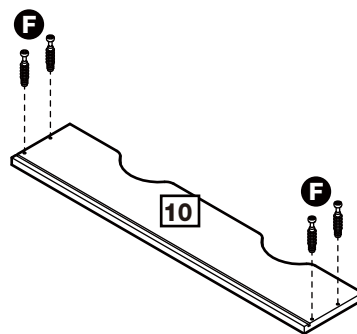
## Step 11

### Drawer assembly

**a:** Screw Locking pins **F** into 4 holes shown on back of the Drawer front panel **10**.

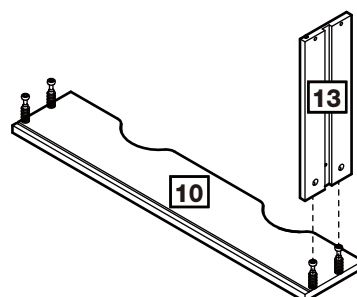
**Note:** Insert Locking pins as far as shown.  
**Do not over tighten.**

**a:**



**b:** Fix Drawer left side panel **13** onto the Drawer front panel **10**.

**b:**



Continued on next page.

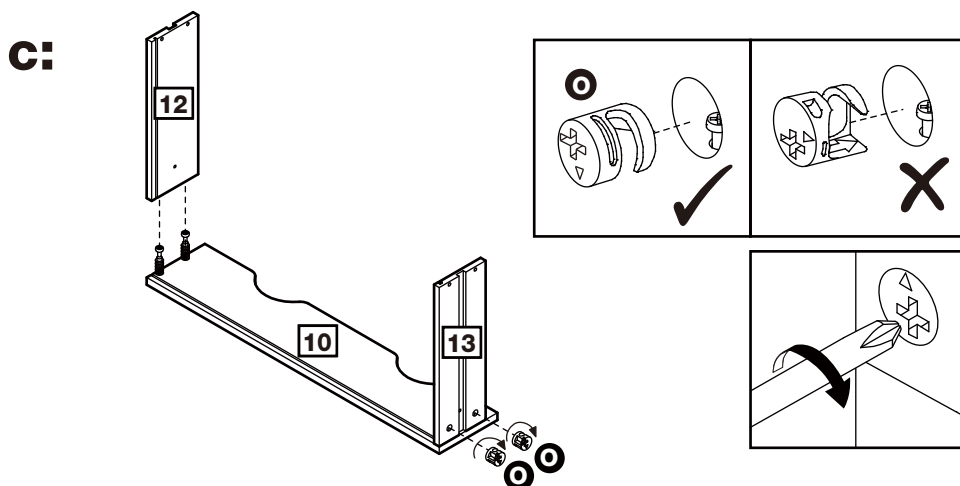
# Assembly Instructions

## Step 11 - continued

**c:** Fix Drawer right side panel **12** onto the Drawer front panel **10**.

Insert 2 Locking nuts **O** into the holes (they will only insert one way).

Use a screwdriver to turn Locking nuts **O** clockwise to lock.

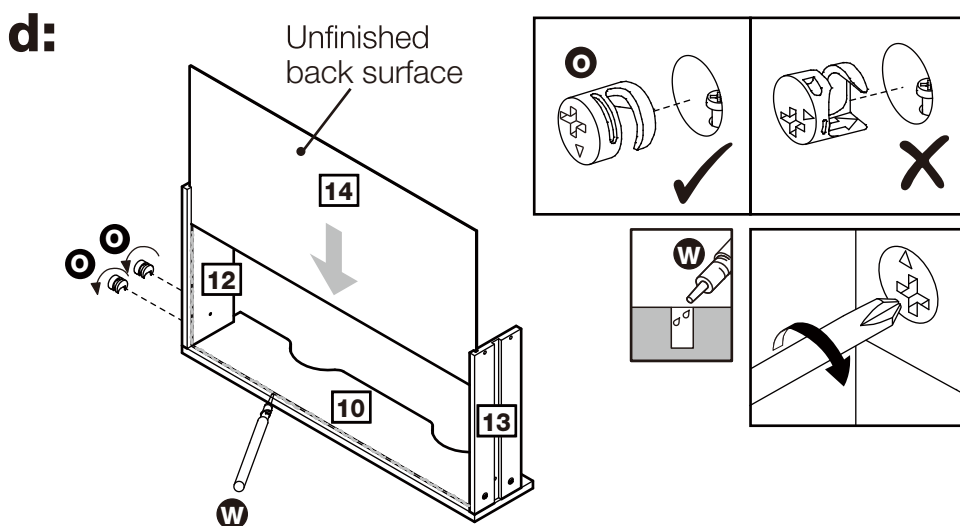


**d:** Insert 2 Locking nuts **O** into the holes (they will only insert one way).

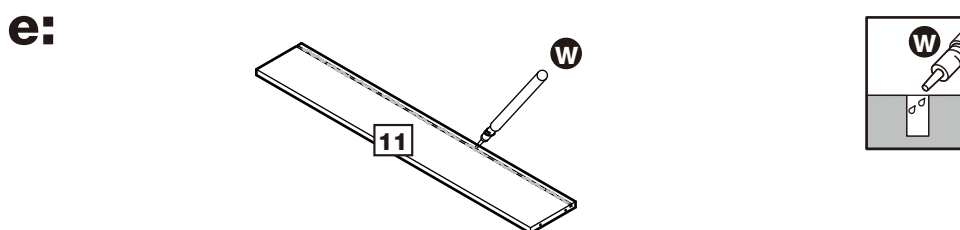
Use a screwdriver to turn Locking nuts **O** clockwise to lock.

Place a small amount of Glue **W** into the grooves.

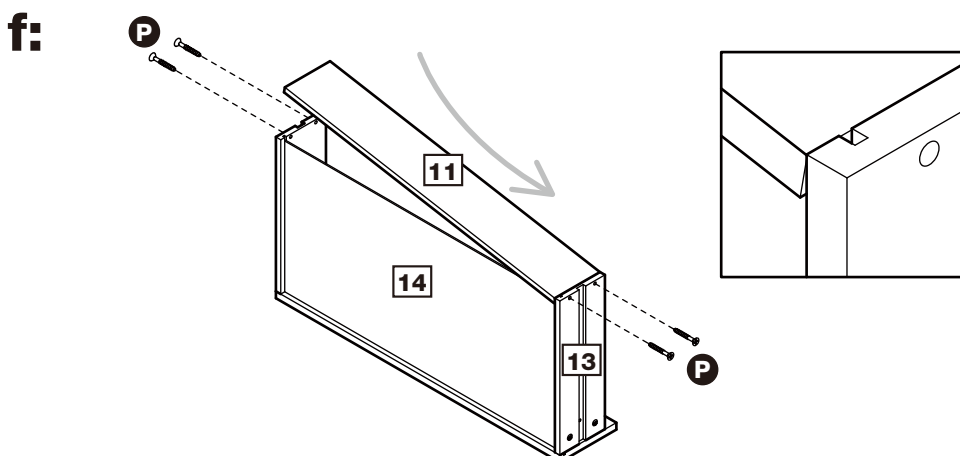
Carefully slide the Drawer bottom panel **14** into the grooves.



**e:** Place a small amount of Glue **W** into the groove on the Drawer back panel **11**.



**f:** Position the Drawer back panel **11** onto the unit using Screws **P**.



Repeat with remaining 1 drawer.

# Assembly Instructions

## Step 12

### Fixing to wall



**Warning:**

In order to prevent overturning, this product must be used with the wall attachment device provided.

Use Screws(2 pcs) **K** to fix Wall straps(2 pcs) **U** onto the unit.

With help, move this product into position.



**Warning:**

This product is heavy.

**Lift with care.**

Mark fixing holes on wall and remove this product .

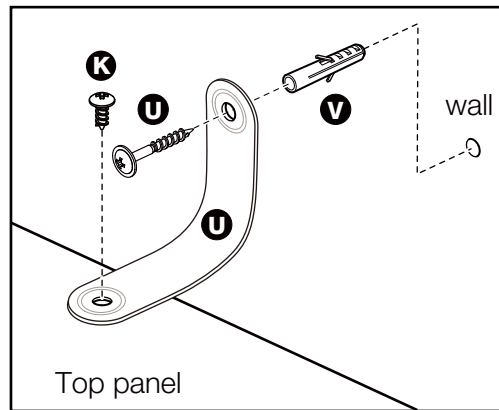
Drill 2 holes and insert Wall plugs(2 pcs) **V**.



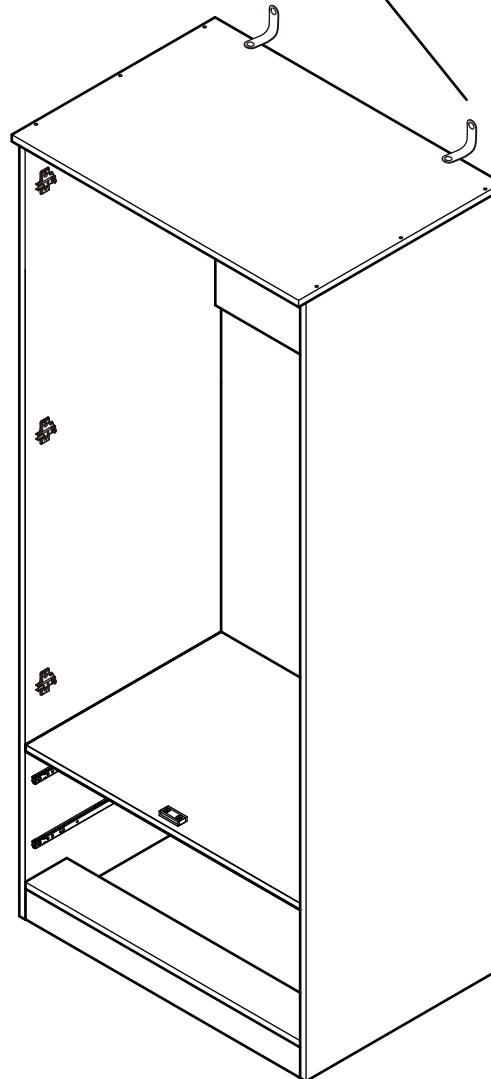
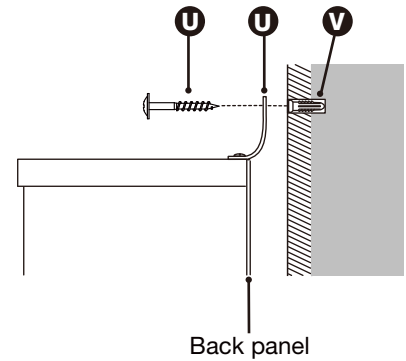
**Warning:**

Before drilling, check wall for hidden pipes and cables.

Reposition this product and fix wall straps using Screws(2 pcs) **U**.



**Note:** Wall plugs supplied are for solid wall only.  
The correct type of fixing must be used for your wall, seek professional advice if in doubt



# Assembly Instructions

## Step 13

### Inserting drawers and clothes rail

With help, carefully stand wardrobe upright.

Place Clothes rail **Q** onto Rail supports **E**.

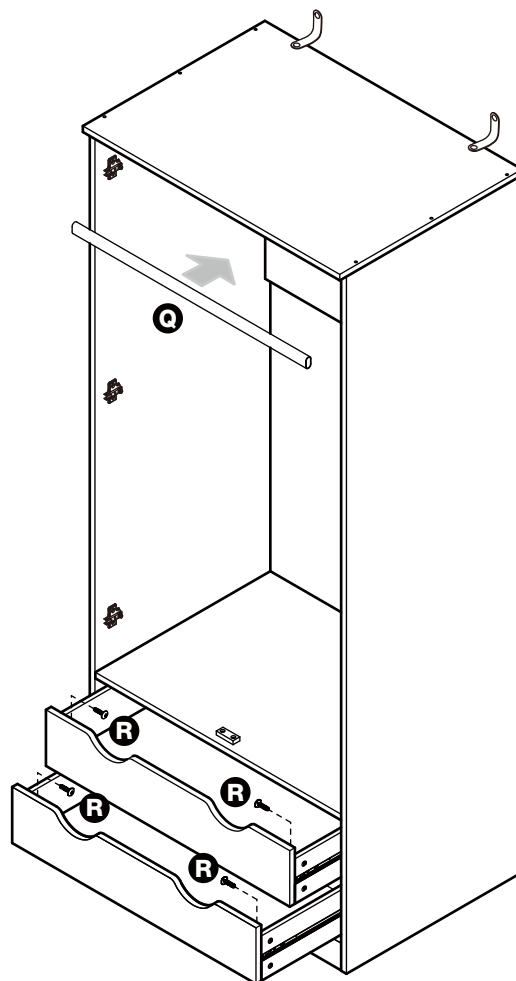
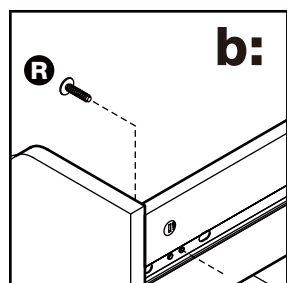
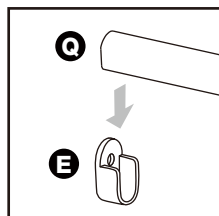


**Warning:**  
The Wardrobe is heavy.  
Lift with care.

**a:** Slide the drawers fully onto the runners so the runners butt up against the back of the drawer front.

**b:** Fix through drawer sides into the runners using Screws **R**.

**a:**



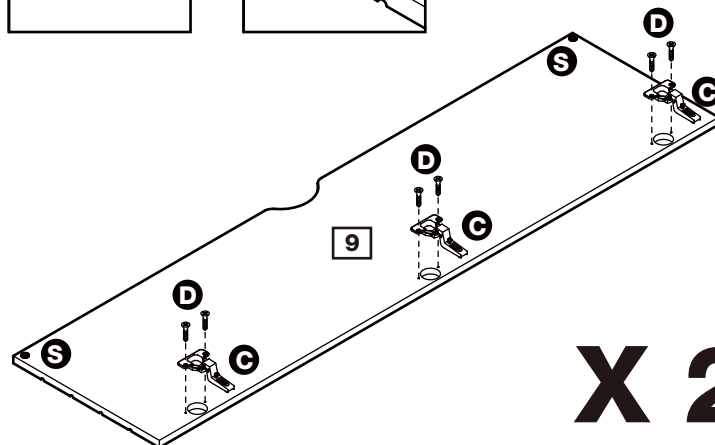
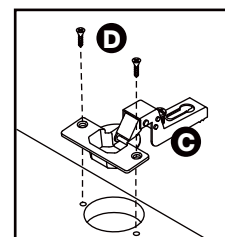
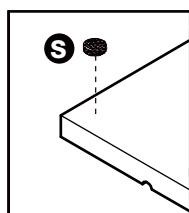
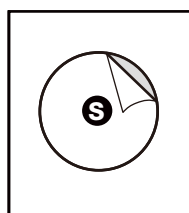
## Step 14

### Attaching hinges to doors

Fix 3 Door hinges **C** onto Doors **9** using Screws **D**.

Tear off the protective backing from the Door pads **S**.

Stick the Door pads **S** onto the Doors **9**.



**X 2**



# Assembly Instructions

## Step 15

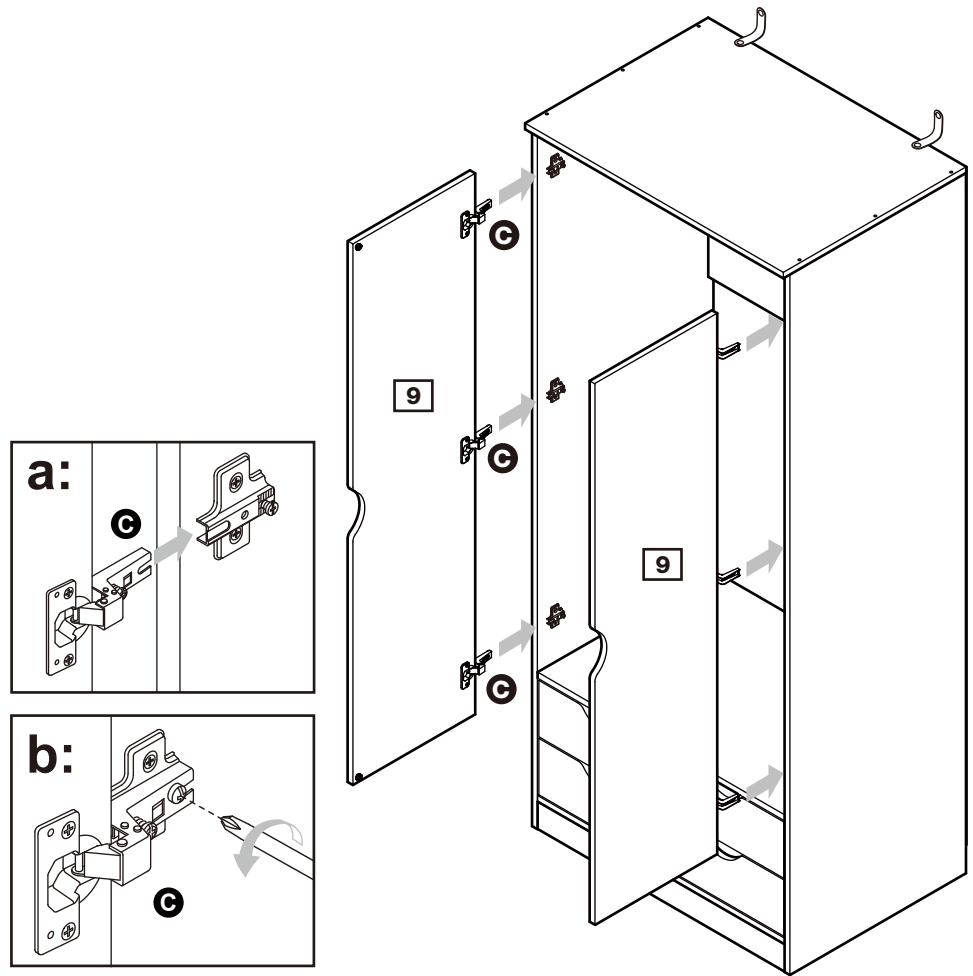
### Hanging doors

**a:** With help, slot Door hinges **C** onto 'hinge plates'.

**b:** Tighten screw shown to lock hinges in position.

Repeat **a** and **b** for opposite door.

See 'Hinge adjustment' in step 16 if the doors need adjusting.

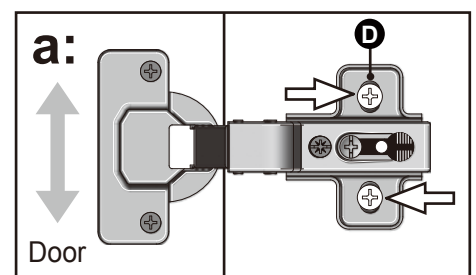
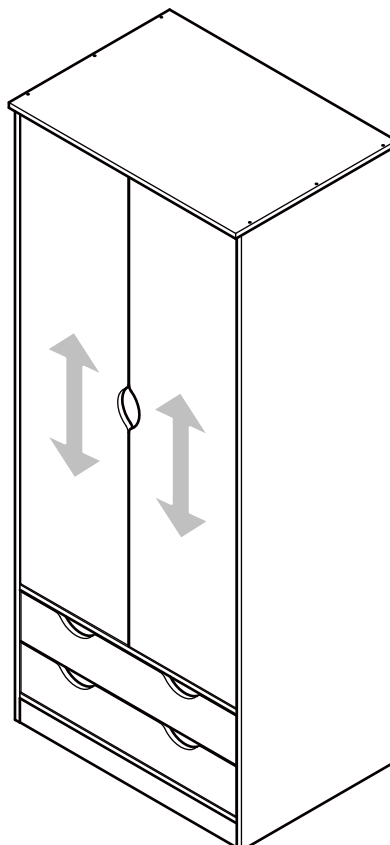


## Step 16

### Hinge adjustment

**a:** To move doors up or down: loosen screws shown and move doors to suit.

Once doors are aligned, re-tighten Screws **D**.



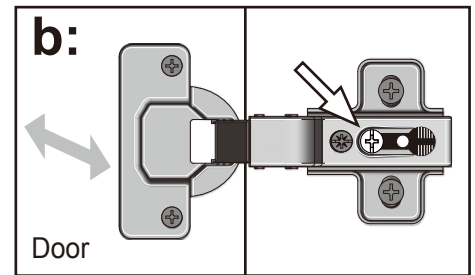
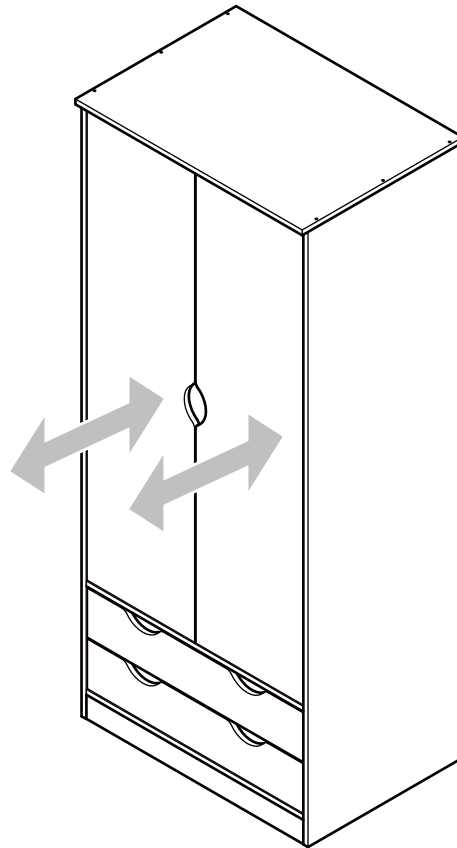
Continued on next page.

# Assembly Instructions

## Step 16 - continued

**b:** To move doors in or out: loosen screw shown and move doors to suit.

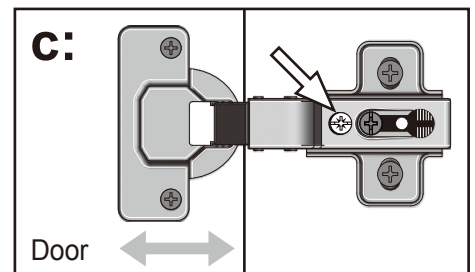
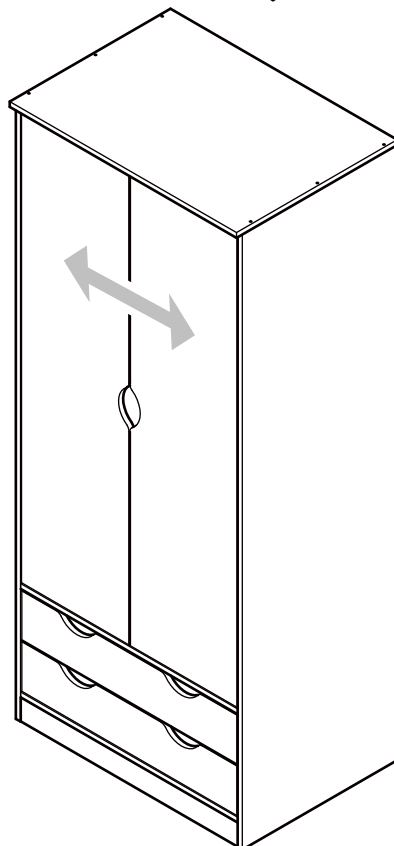
Re-tighten screws.



**c:** To move doors left or right: loosen screw shown and move doors to suit.

Re-tighten screws.

**Note:** Before use allow the glue to dry for 24 hours and make sure the unit is secure.



**Assembly is complete.**

If you need help or have damaged or missing parts, call the **Customer Helpline:**  
**Argos = 0345 6400800**

# A Guide to - Wall Mounting & Fixings

## Important note:

If plastic wall plugs are supplied with your product:



- these are only suitable for use in masonry walls.

If you are in any doubt about the correct wall plugs for your wall, seek professional advice.


Failure of the product due to using incorrect fixings is the responsibility of the installer.



**Important:** When drilling into walls always check that there are no hidden wires or pipes etc.

Make sure that the screws and wall plugs being used are suitable for supporting your unit. Consult a qualified tradesperson if you are unsure.

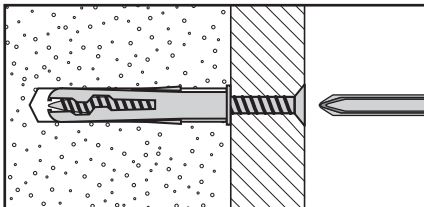
## Hints:

- 1: General rule:**  Always use a larger screw and wall plug if you are not sure.
- 2:** Ensure you use the recommended drill bit to match the wall plug and hole size.
- 3:** Ensure you drill the hole horizontally, do not force the drill or enlarge the hole.
- 4:** Take extra care when drilling high walls, ceilings and ceramic tiles. Ensure wall plugs are inserted beyond the thickness of the ceramic tiles to avoid the tiles splitting or cracking.
- 5:** Ensure wall plugs are well fitted and are a tight fit in the drilled hole.

## Types of walls

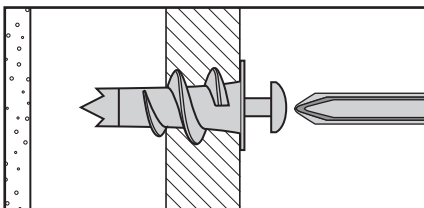
You can use one of the following types of wall plug if your walls are made of brick, breeze block, concrete, stone or wood.

### No.1 "General Purpose" wall plug



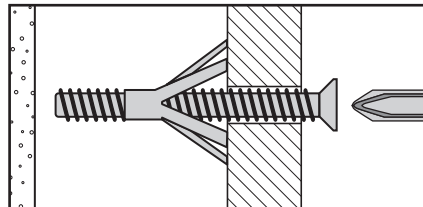
Generally aerated blocks should not be used to support heavy loads, use a specialist fitting in this case. For light loads, general purpose wall plugs can be used.

### No.2 "Plasterboard" wall plug



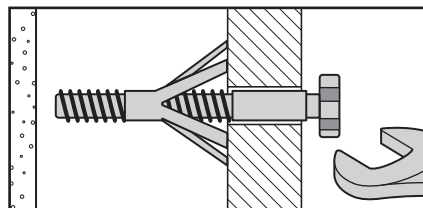
For use when attaching light loads on to plasterboard partitions.

### No.3 "Cavity Fixing" wall plug



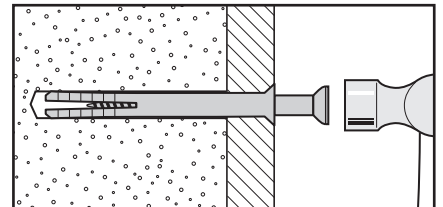
For use with plasterboard partitions or hollow wooden doors.

### No.4 "Cavity Fixing-Heavy Duty" wall plug



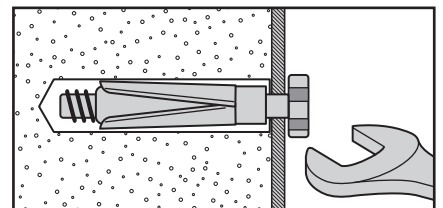
For use when fitting or supporting heavy loads such as shelving, wall cabinets and coat racks.

### No.5 "Hammer Fixing" wall plug



For use with walls stuck with plasterboard. The hammer fixing allows it to be fixed to the wall rather than the plasterboard. Always check the fixing is secure to the retaining wall.

### No.6 "Shield Anchor" wall plug Heavy loads



For use with heavier loads such as TV & HiFi speakers and satellite dishes etc.



## Care & Maintenance

**Safety:** Always check the fitting and location to ensure your safety in and around the home.

**Fitting:** From time to time check the fitting to ensure the wall plugs or screws do not become loose.