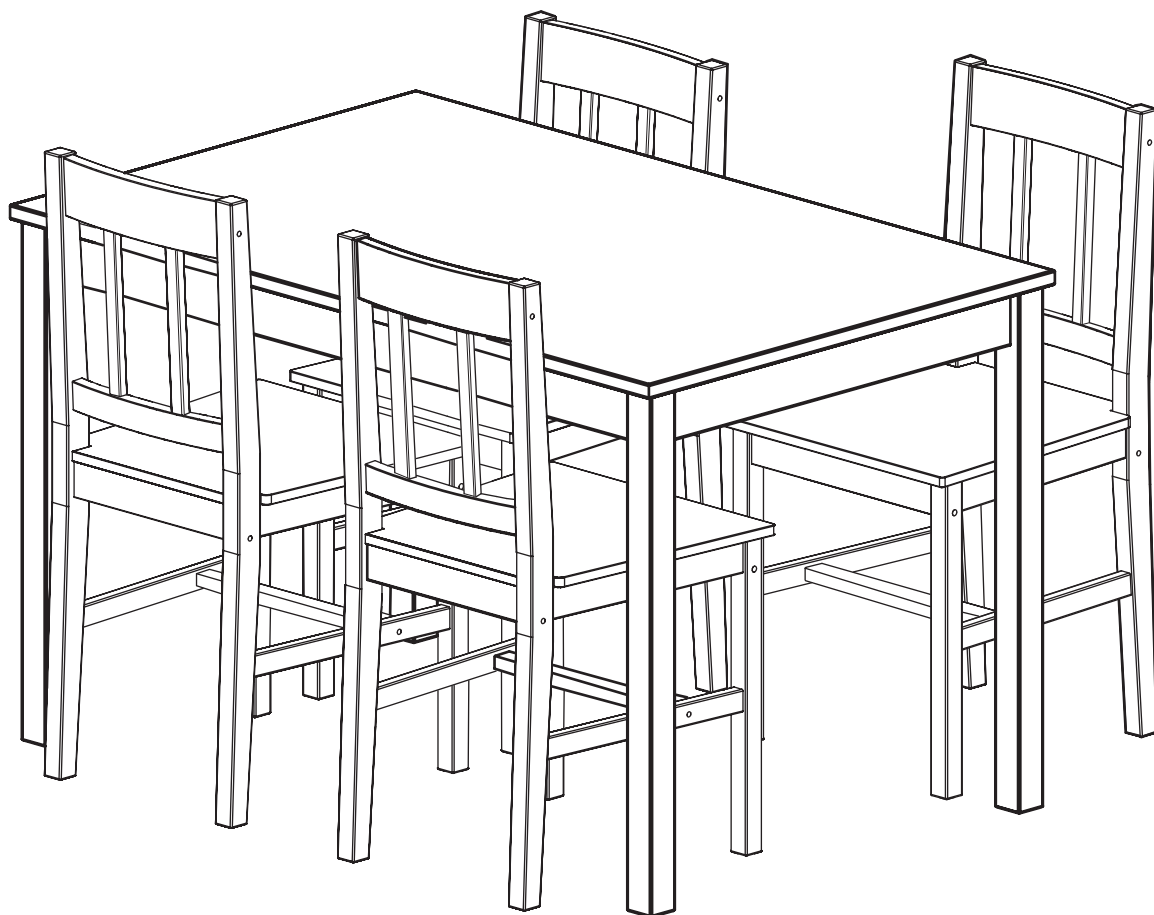


Pine Dining Set 1+4

Assembly Instructions - Please keep for future reference

600/0509

600/1371



Dimensions - Table

Length - 118cm

Width - 75cm

Height - 73cm

Dimensions - Chairs(x4)

Width - 41.5cm

Depth - 41.5cm

Height - 85.4cm

Important – Please read these instructions fully before starting assembly

If you need help or have damaged or missing parts, call the **Customer Helpline: 0845 640 0800**



Safety and Care Advice

Important – Please read these instructions fully before starting assembly

- Check you have all the components and tools listed on pages 2 and 3.
- Remove all fittings from the plastic bags and separate them into their groups.
- Keep children and animals away from the work area, small parts could choke if swallowed.
- Make sure you have enough space to layout the parts before starting.

- Do not stand or put weight on the product, this could cause damage.
- Assemble the item as close to its final position (in the same room) as possible.
- Assemble on a soft level surface to avoid damaging the unit or your floor.
- Parts of the assembly will be easier with 2 people.



• We do not recommend the use of power drill/drivers **for inserting screws**, as this could damage the unit. Only use hand screwdrivers.

- Dispose of all packaging carefully and responsibly.

Care and maintenance

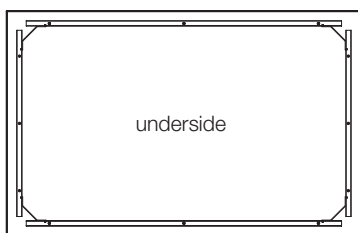
• Only clean using a damp cloth and mild detergent, do not use bleach or abrasive cleaners.

• From time to time check that there are no loose screws on this unit.

• This product should not be discarded with household waste. Take to your local authority waste disposal centre.

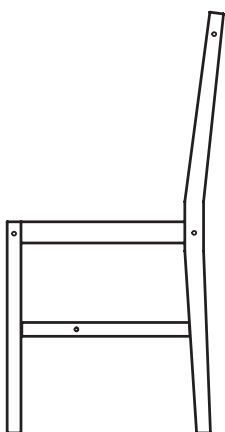
Components - Panels

Please check you have all the panels listed below

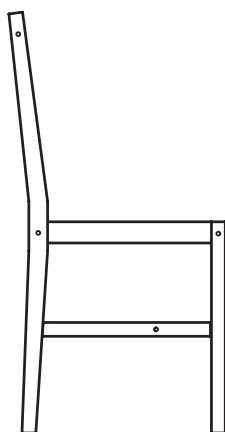


2 Leg x 4 (4 x 71.2cm)

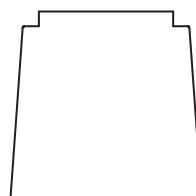
1 Top (118 x 75cm)



3 Left side x 4
(85.4 x 42.7cm)



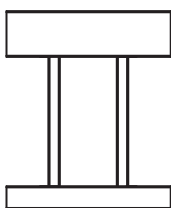
4 Right side x 4
(85.4 x 42.7cm)



5 Seat x 4
(41.5 x 40.5cm)



6 Back rail x 4
(28.5 x 5cm)



7 Back x 4
(28.5 x 34.6cm)



8 Front rail x 4
(33.6 x 5cm)






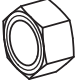
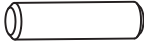



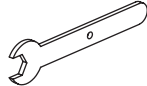
9 Cross rail x 4
(33.3 x 3cm)

Components - Fittings

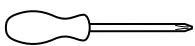
If you have damaged or missing components, call the **Customer Helpline: 0845 640 0800**

Please check you have all the fittings listed below

Note: The quantities below are the correct amount to complete the assembly. In some cases more fittings may be supplied than are required.

<p>A </p> <p>58mm Bolt x 8</p>	<p>B </p> <p>60mm Assembly bolt x 4</p>	<p>C </p> <p>Washer x 8</p>
<p>D </p> <p>13mm Nut x 8</p>	<p>E </p> <p>Wooden dowel x 56</p>	<p>F </p> <p>70mm Screw x 32</p>
<p>G </p> <p>40mm Screw x 16</p>	<p>H </p> <p>4mm Allen key x 1</p>	<p>I </p> <p>13mm Spanner x 1</p>

Tools required



Phillips screwdriver
(medium)

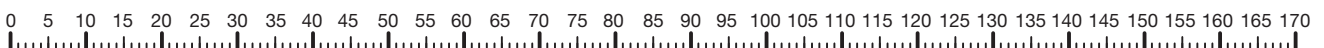


Ruler/tape
measure



Small
hammer

Ruler - Use this ruler to help correctly identify the screws



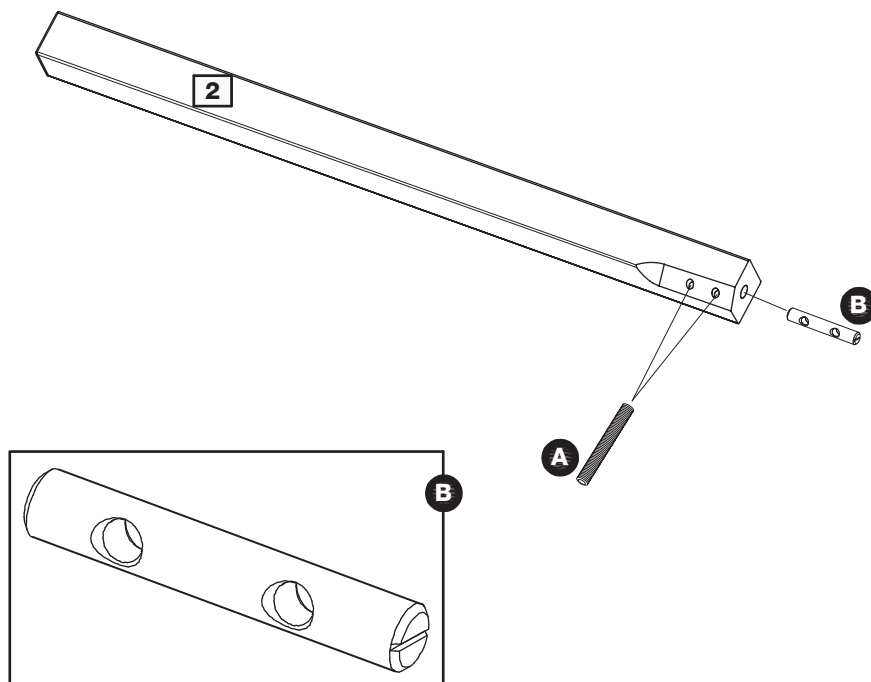
Assembly Instructions

Step 1

Fitting bolts

Insert assembly bolt **B** into leg **2**. Screw bolts **A** into assembly bolt **B**.

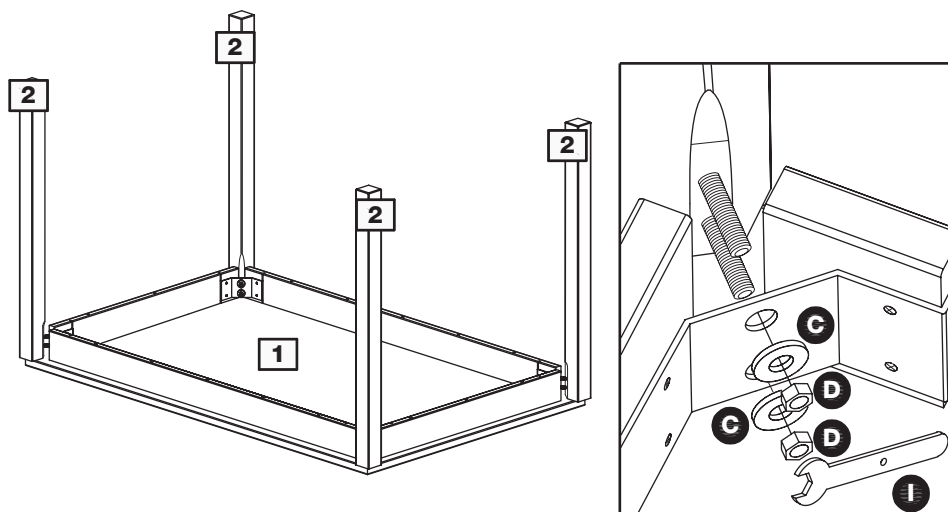
Repeat with remaining legs **2**.



Step 2

Attaching legs

Attach four the legs **2** to top **1** using washer **C** and nut **D**. Tighten the bolts with spanner **I**.



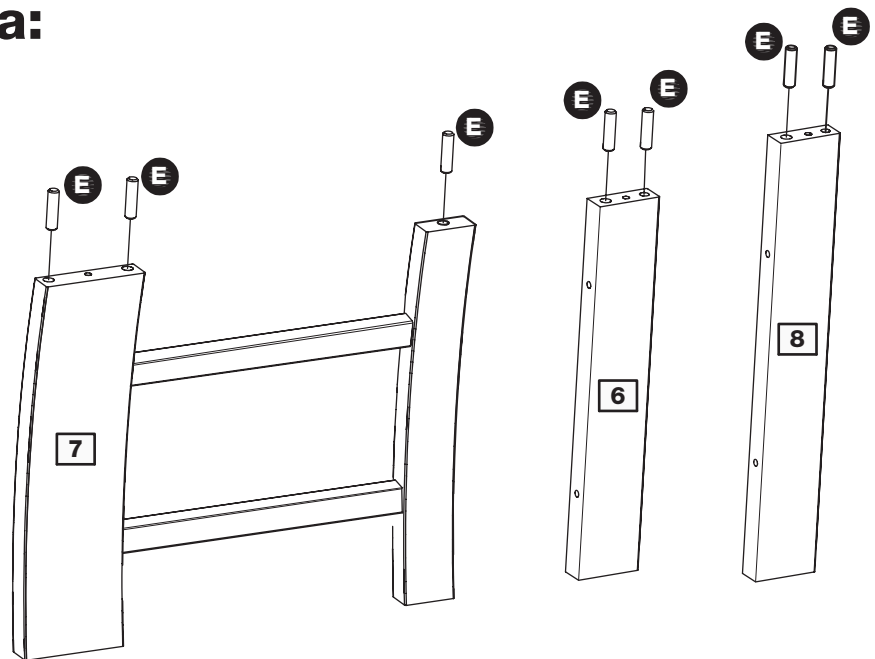
Assembly Instructions

Step 3

Fitting dowels

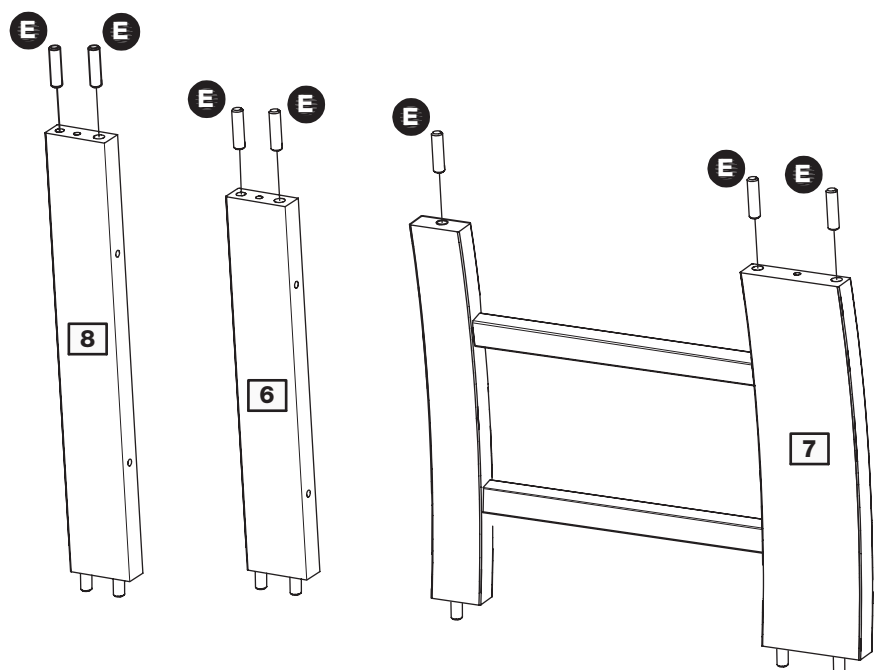
a: Insert wooden dowels **E** into back **7**, front rail **8** and back rail **6**.

a:



b: Insert wooden dowels **E** into the other side of back **7**, front rail **8** and back rail **6**.

b:



Assembly Instructions

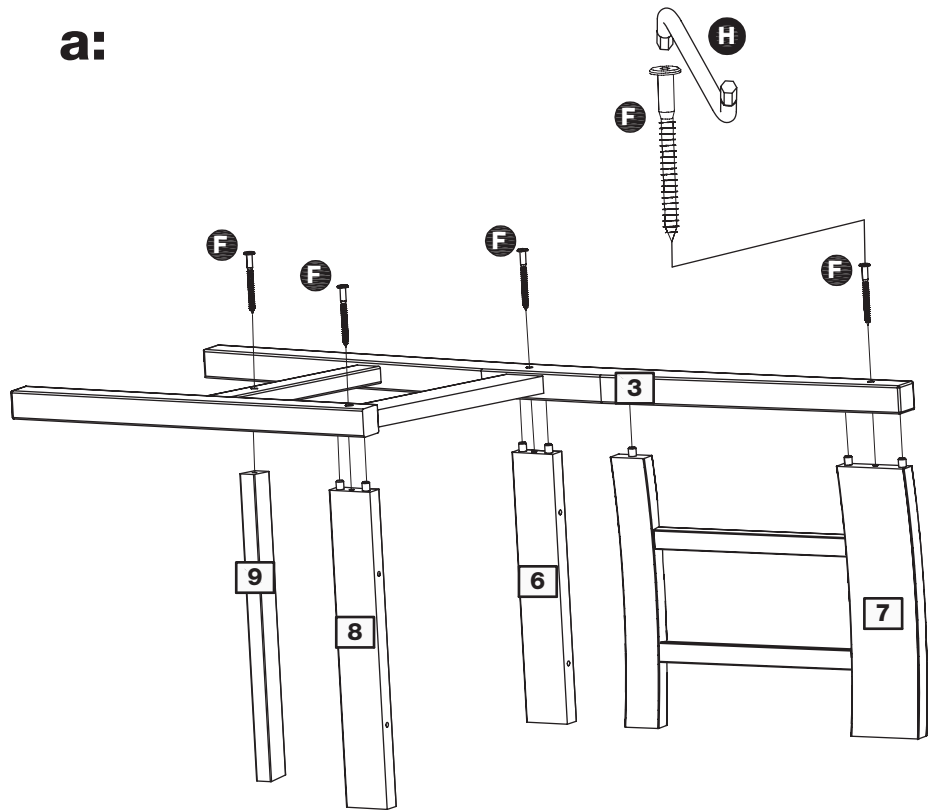
Step 4

Attaching side

a: Attach back **7**, front rail **8**, back rail **6** and cross rail **9** to left side **3**, with screws **F** using allen key **H**.

Do not tighten the screws at this point in time.

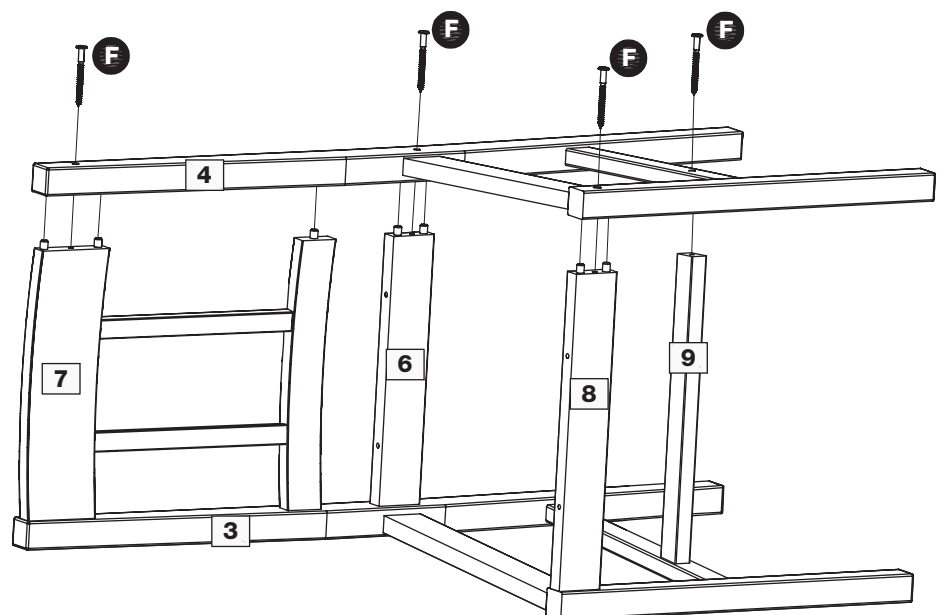
a:



b: Attach back **7**, front rail **8**, back rail **6**, and cross rail **9** to right side **4**, with screws **F** using allen key **H**.

Do not tighten the screws at this point in time.

b:



Assembly Instructions

Step 5

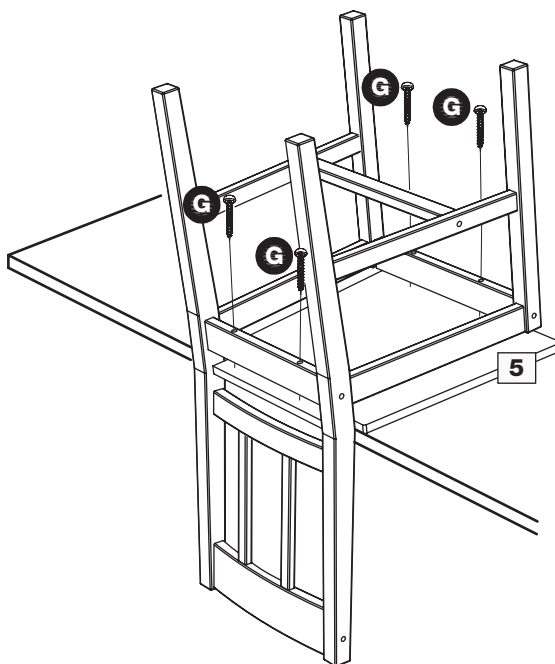
Attaching seat

Attach seat **5** to chair frame using screws **G**.

Repeat with remaining chairs.

Tighten all the screws for table and chairs.

Assembly is complete.



If you need help or have damaged or missing parts, call the **Customer Helpline: 0845 640 0800**
Argos Ltd MK9 2NW