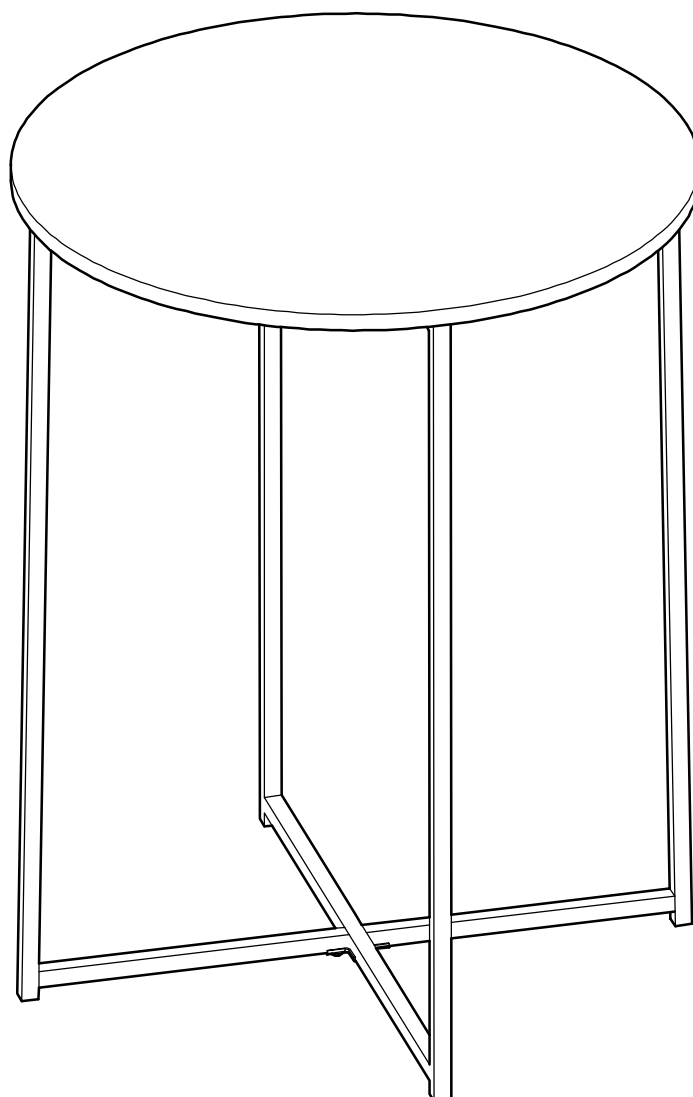


Hygena Bar Table

Assembly Instructions - Please keep for future reference

600/6194

hygena



Dimensions

Dia - 72cm

Height - 90cm

Important – Please read these instructions fully before starting assembly

If you need help or have damaged or missing parts, call the **Customer Help line: 0845 6400800**



Safety and Care Advice

Important – Please read these instructions fully before starting assembly

- Check you have all the components and tools listed on page 2.

- Remove all fittings from the plastic bags and separate them into their groups.

- Keep children and animals away from the work area, small parts could choke if swallowed.

- Make sure you have enough space to layout the parts before starting.

- Do not stand or put weight on the product, this could cause damage.

- Assemble on a soft level surface to avoid damaging the unit or your floor.



- We do not recommend the use of power drill/drivers **for inserting screws**,

as this could damage the unit. Only use hand screwdrivers.

- Dispose of all packaging carefully and responsibly.

Care and maintenance

- Only clean using a dry cloth, do not use bleach or abrasive cleaners.

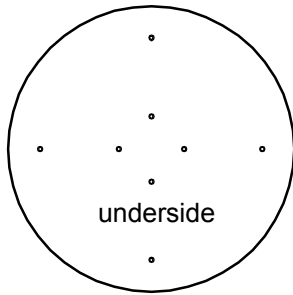
- From time to time check that there are no loose screws on this unit.

- This product should not be discarded with household waste. Take to your local authority waste disposal centre.

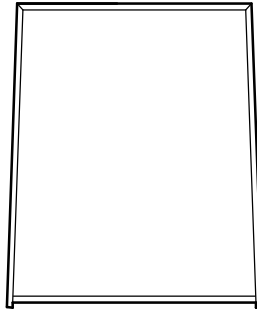
Components - Panels

If you have damaged or missing components, call the **Customer Helpline: 0845 6400800**

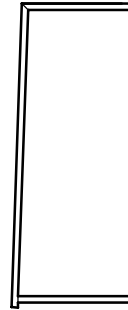
Please check you have all the panels listed below



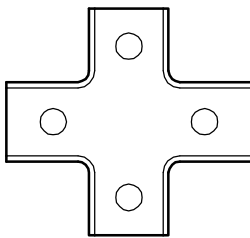
1 Table top (dia70cm)



2 Leg frame x 1
(88.2 x 72cm)



3 Leg frame x 2
(88.2 x 35cm)

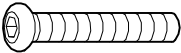
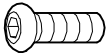




4 Connecting part x 1
(6.5 x 6.5cm)

Components - Fittings

Please check you have all the fittings listed below

Note: The quantities below are the correct amount to complete the assembly. In some cases more fittings may be supplied than are required.

<p>A </p> <p>34mm Bolt x 8</p>	<p>B </p> <p>16mm Bolt x 4</p>	<p>C </p> <p>Plain washer x 8</p>
<p>D </p> <p>Hex key x 1</p>		

Ruler - Use this ruler to help correctly identify the screws

Assembly Instructions

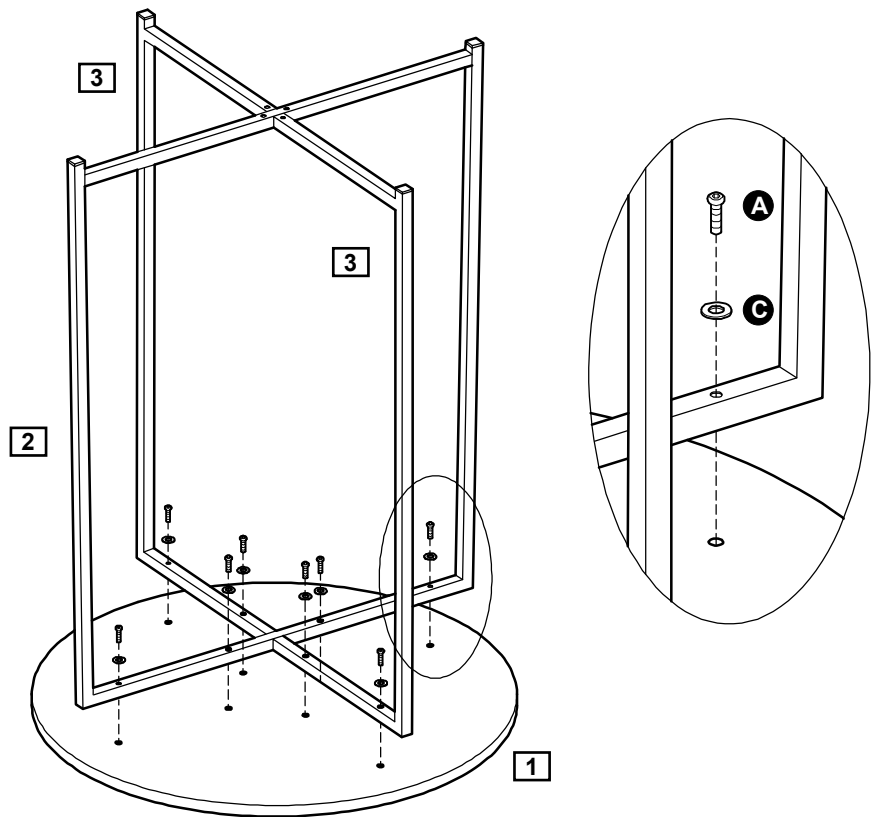
Step 1

Assemble leg frame

Place table top **1** upside down on a clean, flat surface.

Assemble leg frame **2** and **3** to the table top **1** using bolts **A** and plain washers **C**

Note: Do not fully tighten bolts.

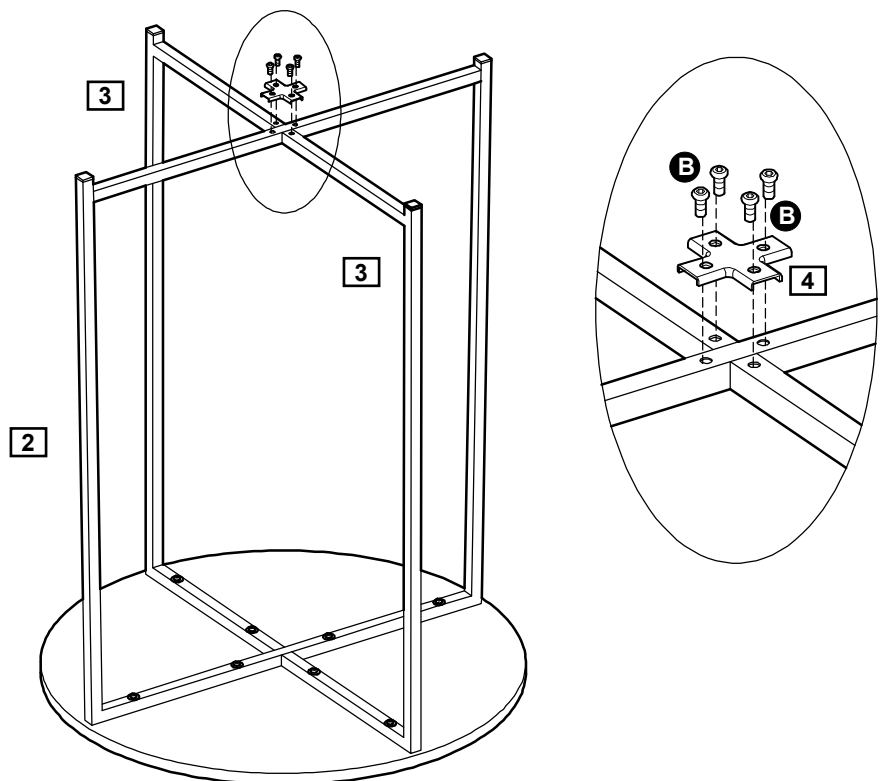


Step 2

Assemble connecting part

Connect leg frame **2** and **3** with connecting part **4** using bolts **B**

Note: Re-tighten all the bolts.



Assembly is complete.

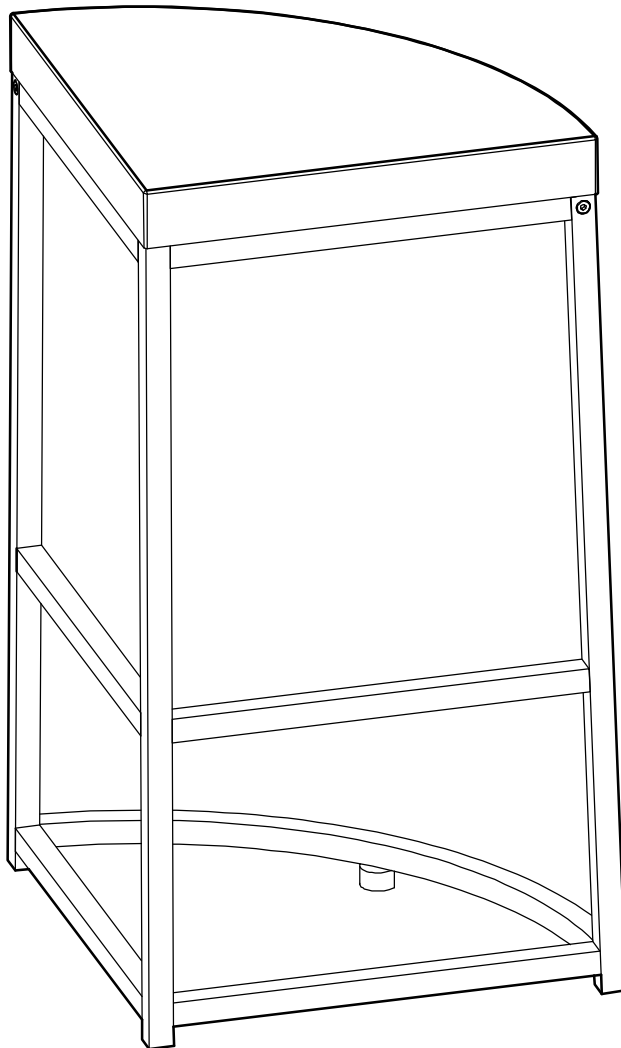
If you need help or have damaged or missing parts, call the **Customer Helpline: 08456 400 800**

Hygena Bar Chair

Assembly Instructions - Please keep for future reference

600/6194

hygena



Dimensions

Width - 49.6cm

Depth - 35cm

Height - 66.3cm

Important – Please read these instructions fully before starting assembly

If you need help or have damaged or missing parts, call the **Customer Helpline: 0845 6400800**



Safety and Care Advice

Important – Please read these instructions fully before starting assembly

- Check you have all the components and tools listed on page 2.

- Remove all fittings from the plastic bags and separate them into their groups.

- Keep children and animals away from the work area, small parts could choke if swallowed.

- This product is for domestic use only .

- Make sure you have enough space to layout the parts before starting.

- Do not stand or put weight on the product, this could cause damage.

- Assemble on a soft level surface to avoid damaging the unit or your floor.



- We do not recommend the use of power drill/drivers **for inserting screws**, as this could damage the unit. Only use hand screwdrivers.

- Dispose of all packaging carefully and responsibly.

- Maximum safe weight of user: 110kgs.

Care and maintenance

- Only clean using a dry cloth, do not use bleach or abrasive cleaners.

- Make time to time check that there are no loose screws on this unit.

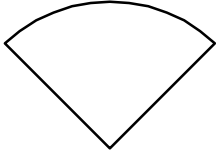
- This product should not be discarded with household waste. Take to your local authority waste disposal centre.

Components - Panels

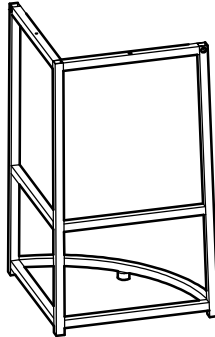
If you have damaged or missing components, call the **Customer Helpline: 0845 6400800**

Please check you have all the panels listed below

The quantities below are for 4 chairs



1 Seat pad x 4
(47.5 x 33.2cm)



2 Chair frame x 4
(61.5 x 49.6cm)

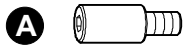


3 Connecting bar x 4
(44 x 9.3cm)

Components - Fittings

Please check you have all the fittings listed below

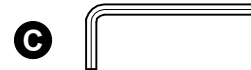
Note: The quantities below are the correct amount to complete the assembly for 4 chairs. In some cases more fittings may be supplied than are required.



A 32mm Bolt x 8

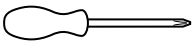


B 32mm Screw x 12



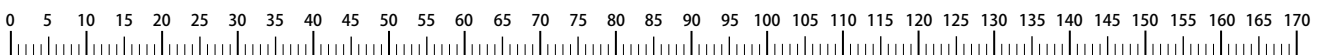
C Hex key x 1 (supplied in the fittings pack of table)

Tools required



Phillips screwdriver

Ruler - Use this ruler to help correctly identify the screws



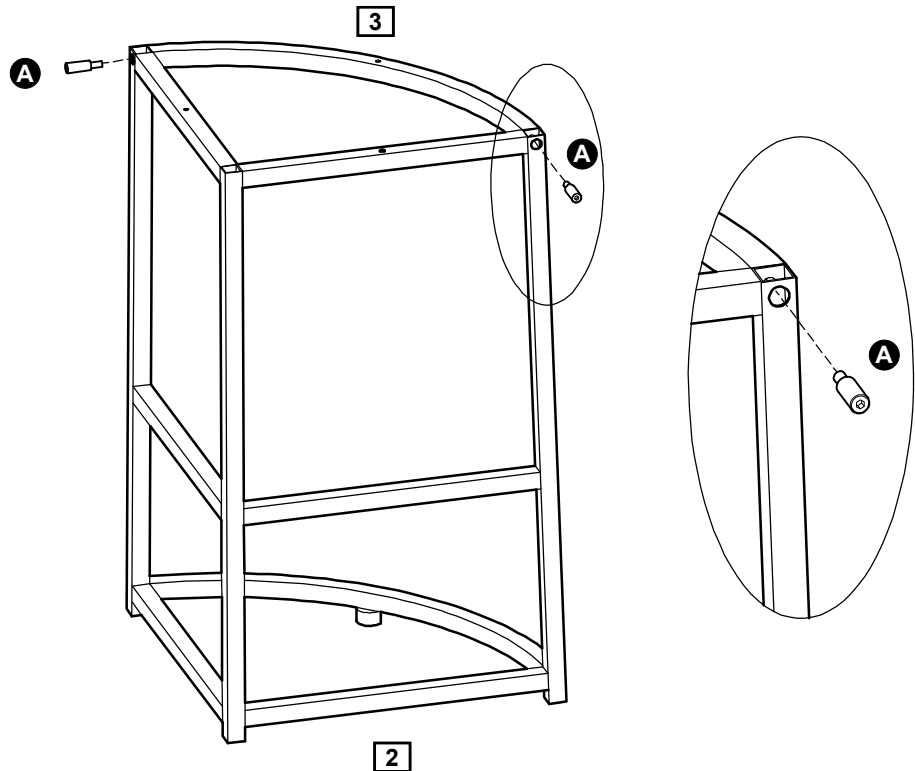
Assembly Instructions

Step 1

Assemble chair frame

Attach connecting bar **3** to chair frame **2** using bolts **A**

Note: Do not fully tighten bolts.



Step 2

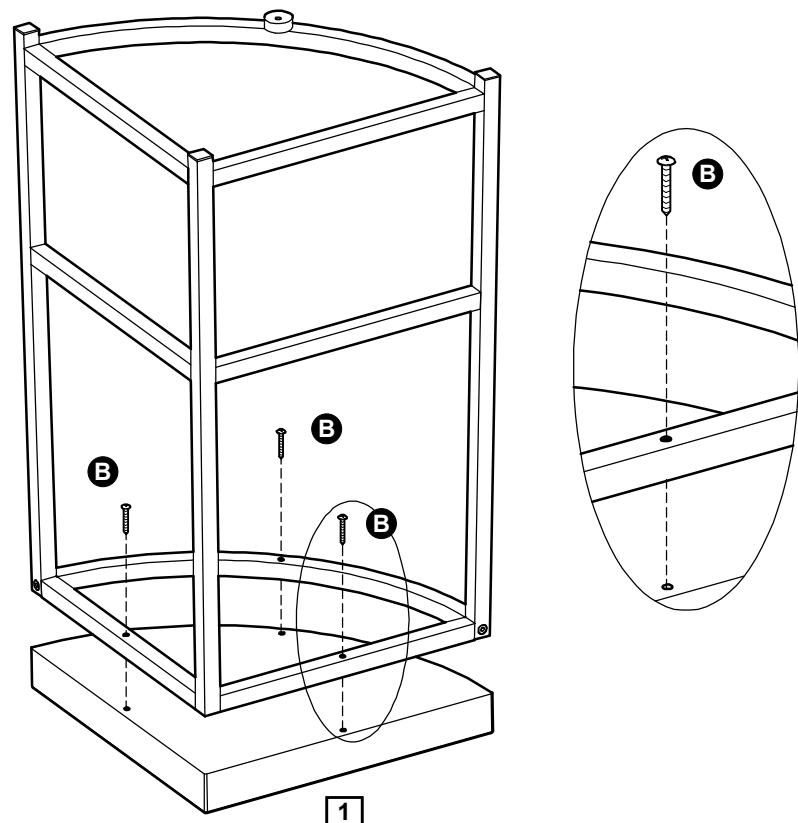
Assemble seat pad

Place seat pad **1** upside down on a clean, flat surface.

Carefully position the chair frame on the seat pad and secure using screws **B**.

Note: Re-tighten all the bolts.

Assembly is complete.



If you need help or have damaged or missing parts, call the **Customer Helpline: 0845 6400800**