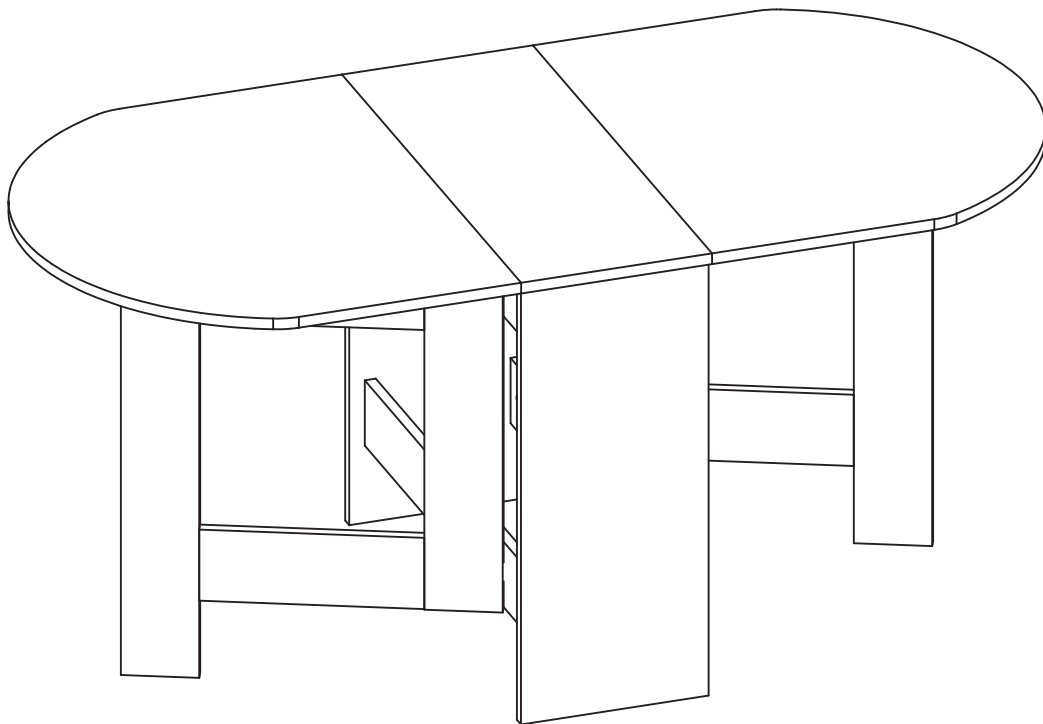


ARGOS melamine table

Assembly Instructions - Please keep for furniture reference

06006170- OAK

06006156- WALNUT



Dimensions - Table

Width - 163 cm

Depth - 80 cm

Height - 75 cm

Important - Please read these instructions fully before starting assembly

If you need help or have damaged or missing parts, call the **Customer Helpline: 08456 400800**



Safety and care advice

Important - Please read these instructions fully before starting assembly

- Check you have all the components and tools listed on pages 2 and 3.
- Assemble on a soft level surface to avoid damaging the unit or your floor.
- Dispose of all packaging carefully and responsibly.
- Remove all fittings from the plastic bags and separate them into their groups.
- Parts of the assembly will be easier with 2 people.
- **Warning:** The unit weighs approximately 30 kgs. **Please lift with care.**
- Keep children and animals away from the work area, small parts could choke if swallowed.
- If using power tools, please follow the safety instructions supplied with the tools.
- We do not recommend the use of power drill/ drivers for inserting screws, as this could damage the unit. Only use hand screwdrivers.
- Make sure you have enough space to layout the parts before starting.
- Do not stand or put weight on the panels, this could cause damage.
- Assemble the unit as close to its final position (in the same room) as possible.

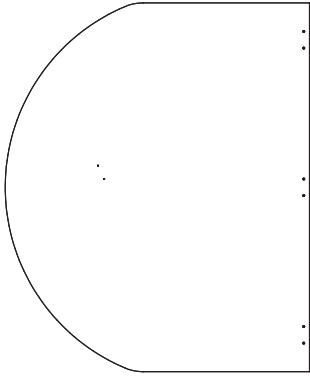


Care and maintenance

- Only clean using a damp cloth and mild detergent, do not use bleach or abrasive cleaners.
- From time to time check that there are no loose screws on this unit.
- This product should not be discarded with household waste. Take to your local authority waste disposal centre.

Components - Panels

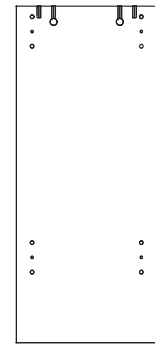
Please check you have all the panels listed below



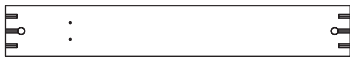
1 Top x 2 (66x80cm)



2 Top middle panel x 1 (31x80cm)



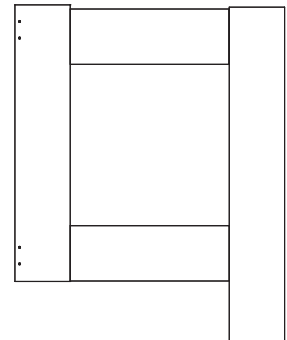
3 Front and back panel x 2 (73x30,5cm)



4 Lower rail x 2 (74,8x11cm)



5 Upper rail x 2 (74,8x11cm)



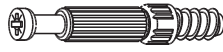
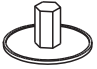
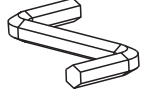
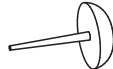
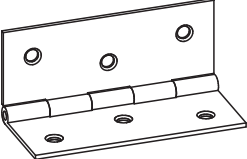

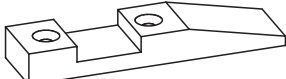

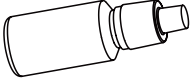



6 Gateleg x 2 (72,4x58,5cm)

Components - Fittings

If you have damaged or missing components call the **Customer Helpline: 08456 400800**

Please check you have all the fittings listed below


<p>(A)</p>  <p>Wooden dowel x 26</p>	<p>(B)</p>  <p>Cam Lock x 12</p>	<p>(C)</p>  <p>Metal Cam Screw x 12</p>
<p>(D)</p>  <p>Plug x 12</p>	<p>(E)</p>  <p>Allen Key x1</p>	<p>(F)</p>  <p>Slider x8</p>
<p>(G)</p>  <p>Hinge x 10</p>	<p>(H)</p>  <p>ø3,5x16 mm screw x 60</p>	<p>(I)</p>  <p>Slat x2</p>
<p>(J)</p>  <p>ø3,5x25 mm screw x 4</p>	<p>(K)</p>  <p>Glue x1</p>	<p>(M)</p>  <p>Bumper x4</p>

Tools required

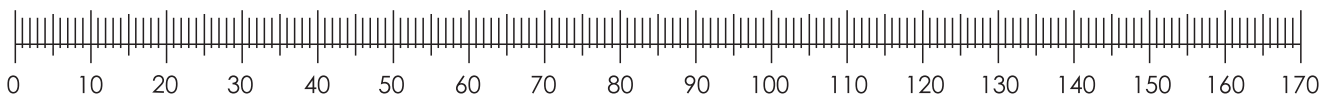
 Phillips screwdriver (medium & large)

 Small hammer

 Ruler/tape measure

 Eye protection (when using a hammer)

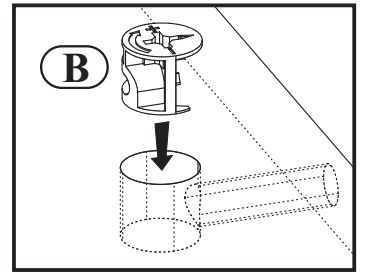
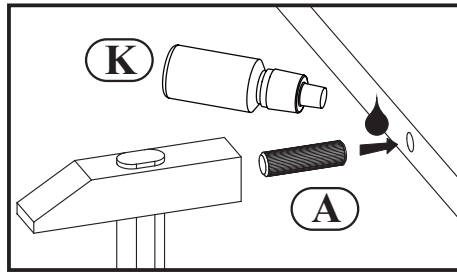
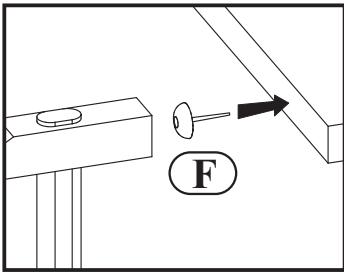
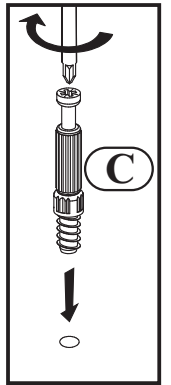
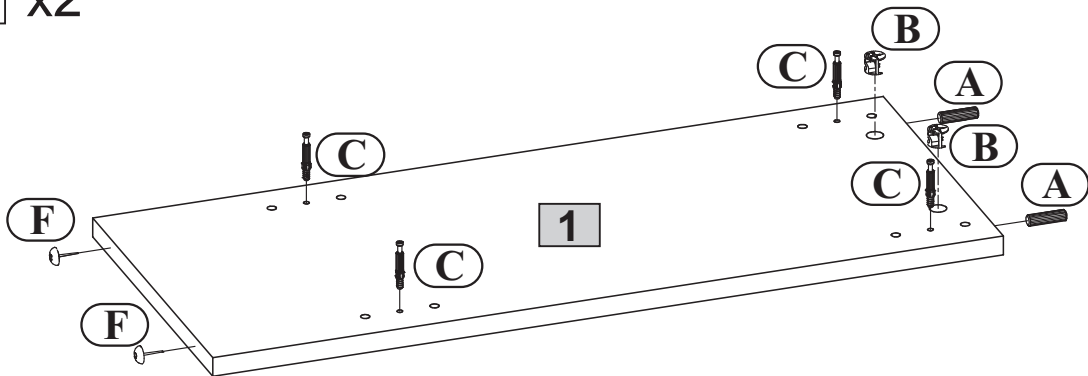
Ruler - Use this ruler to help correctly identify the screws



Assembly Instructions

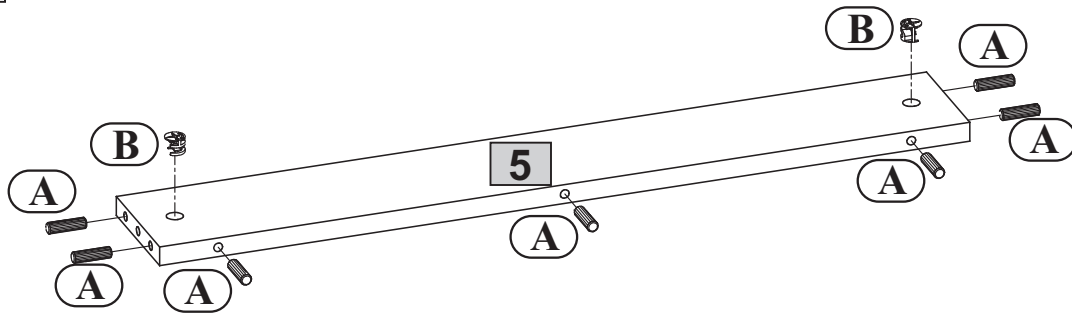
Step 1

1 x2



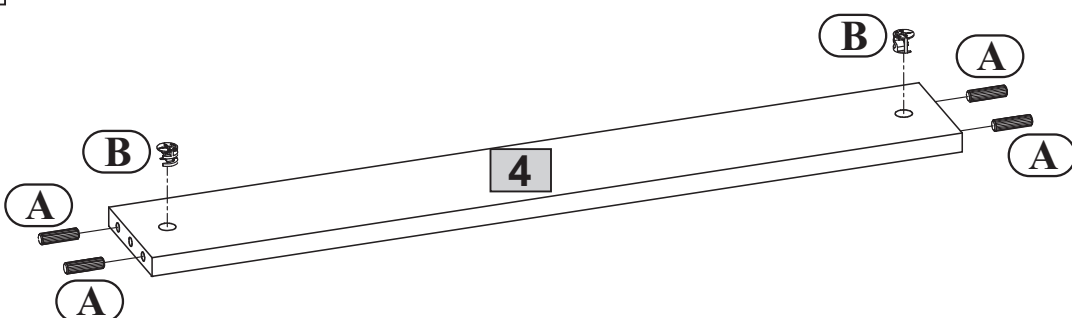
Step 2

5 x2



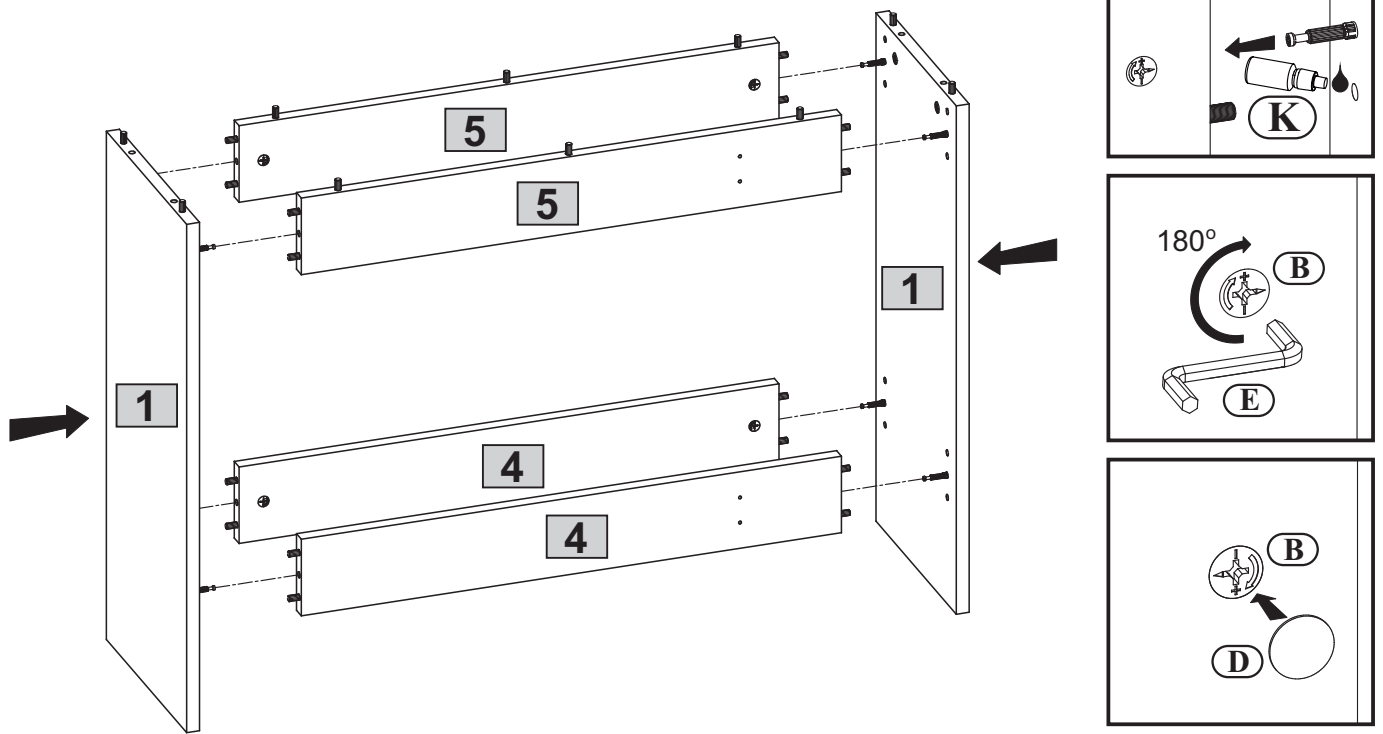
Step 3

4 x2



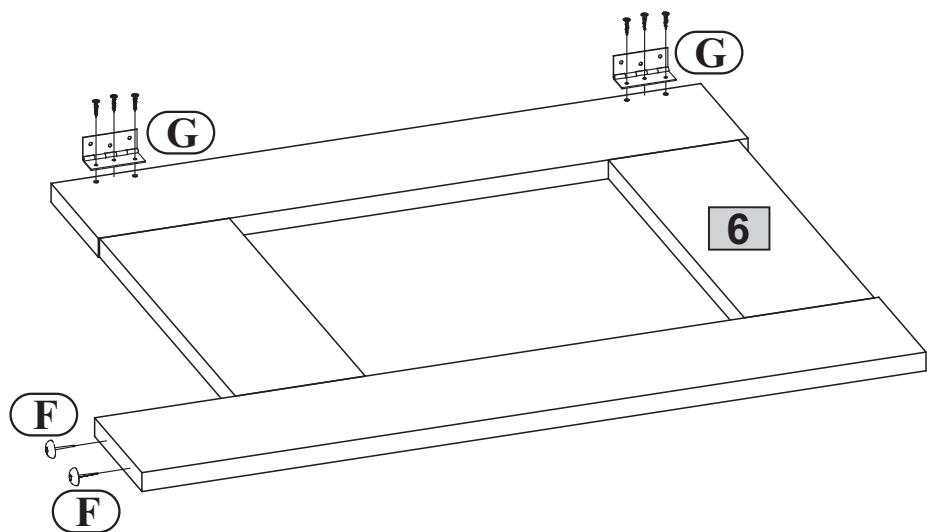
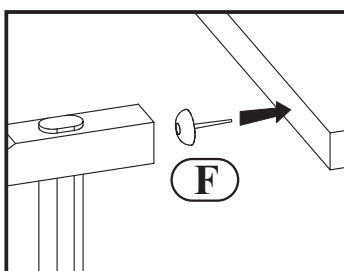
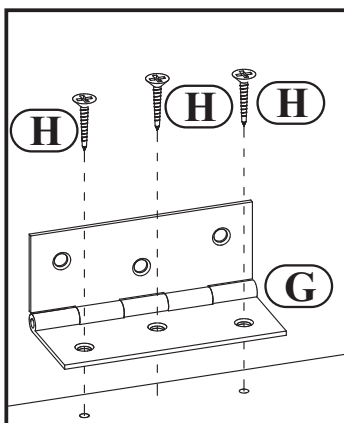
Assembly Instructions

Step 4



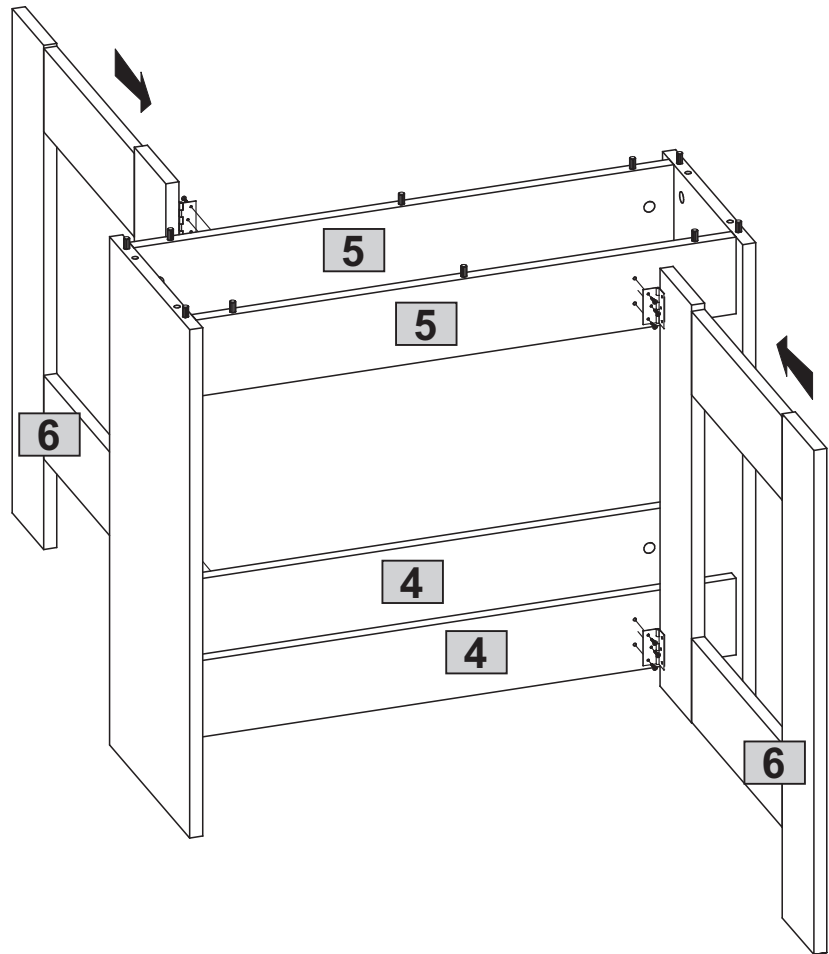
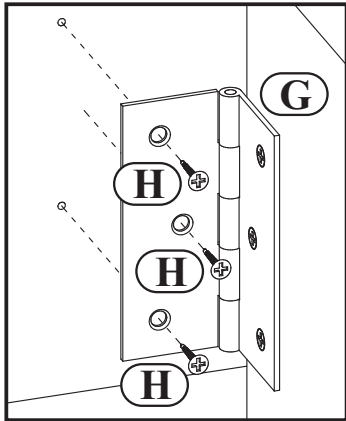
Step 5

6 x2

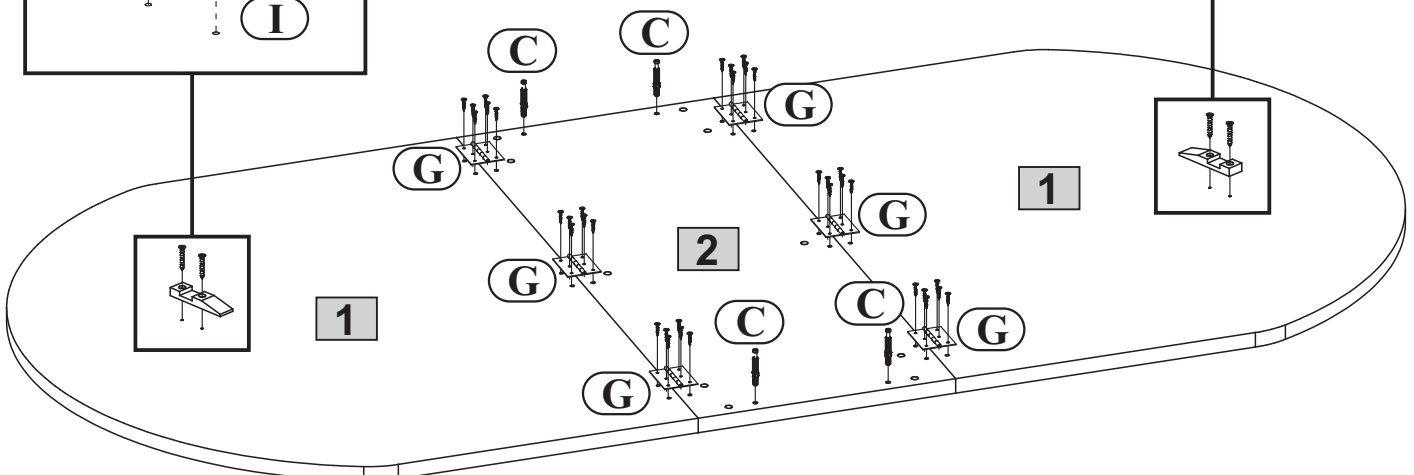
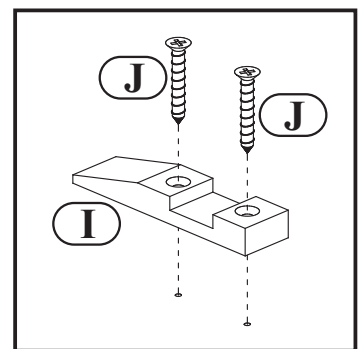
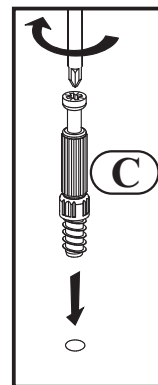
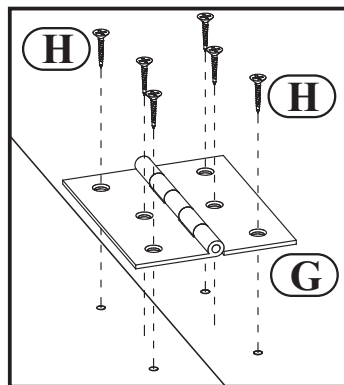
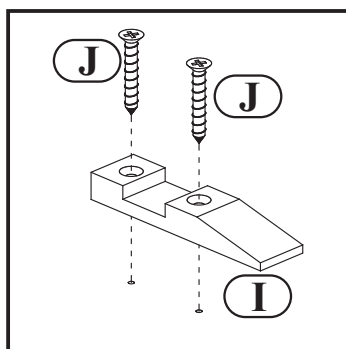


Assembly Instructions

Step 6

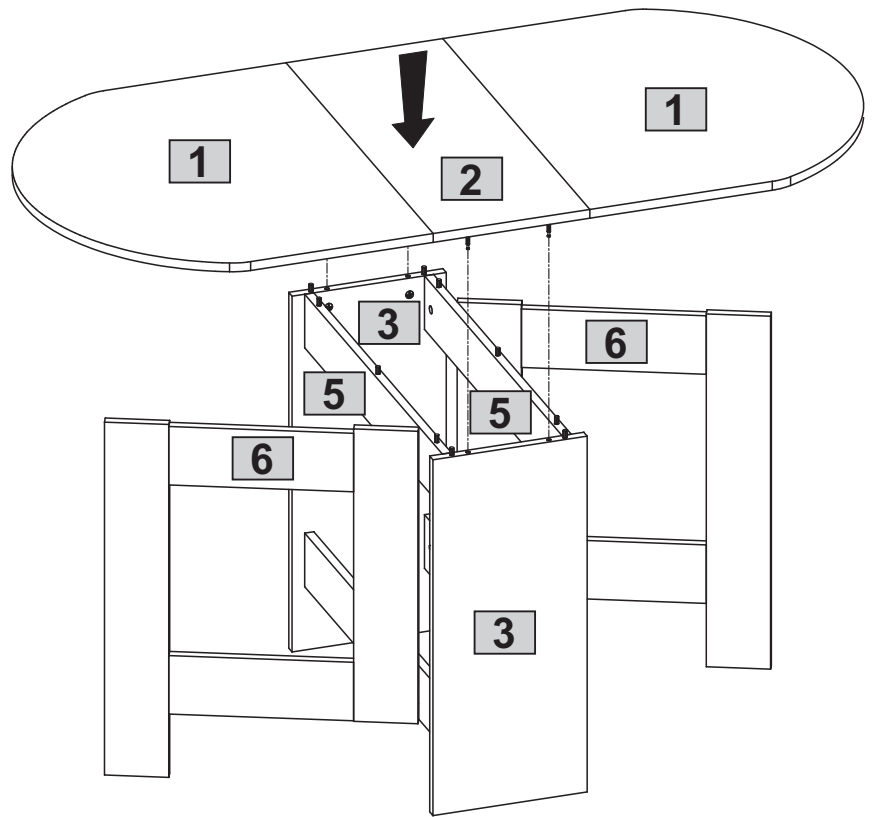
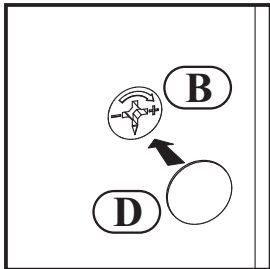
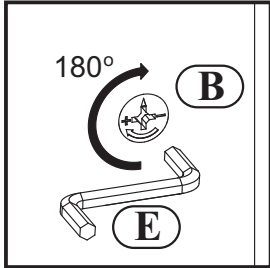
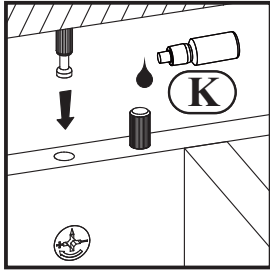


Step 7

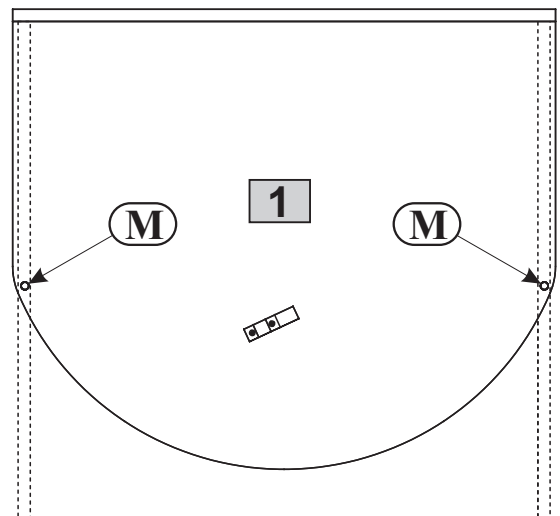
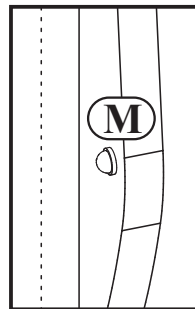
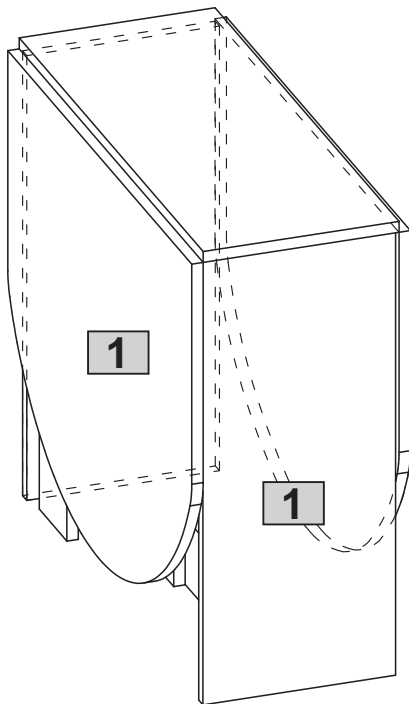


Assembly Instructions

Step 8



Step 9

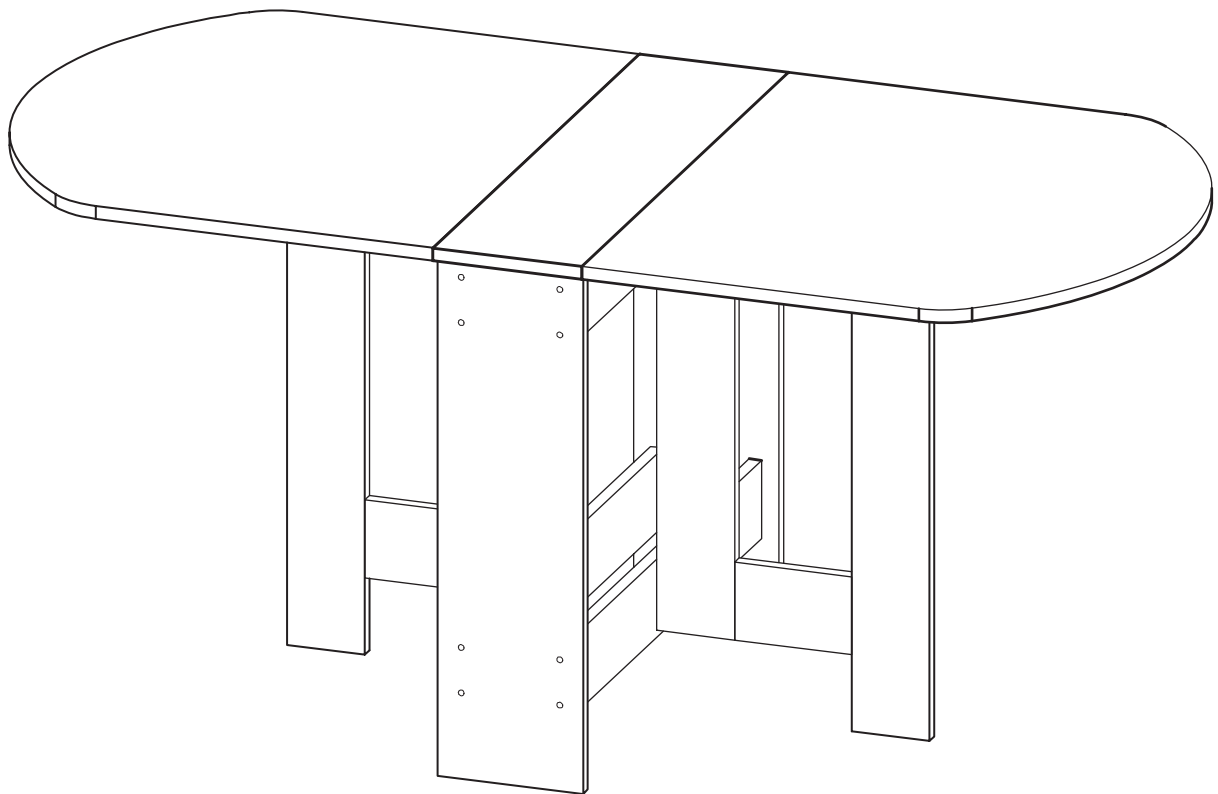


If you need help or have damaged or missing parts, call the **Customer Helpline: 08456 400800**

Gateleg Table

Assembly Instructions - Please keep for future reference

600/6170



Dimensions

Length - 161cm

Width - 80cm

Height - 74.8cm

Important – Please read these instructions fully before starting assembly

If you need help or have damaged or missing parts, call the **Customer Helpline: 0845 640 0800**



Safety and Care Advice

Important – Please read these instructions fully before starting assembly

- Check you have all the components and tools listed on pages 2 and 3.
- Remove all fittings from the plastic bags and separate them into their groups.
- Keep children and animals away from the work area, small parts could choke if swallowed.
- Make sure you have enough space to layout the parts before starting.

- Do not stand or put weight on this product during assembly, this could cause damage.
- Assemble the item as close to its final position (in the same room) as possible.
- Assemble on a soft level surface to avoid damaging the unit or your floor.
- Parts of the assembly will be easier with 2 people.



- We do not recommend the use of power drill/drivers **for inserting screws**, as this could damage the unit. Only use hand screwdrivers.
- Dispose of all packaging carefully and responsibly.

Glue safety – Take care when using glue, please follow the advice below

Skin contact: Remove contamination by washing with soap and water. This procedure should also be followed prior to eating and drinking.

Eye contact: Rinse immediately with clean water for 15 minutes and seek medical advice.

If swallowed: Seek medical advice immediately.

Care and maintenance

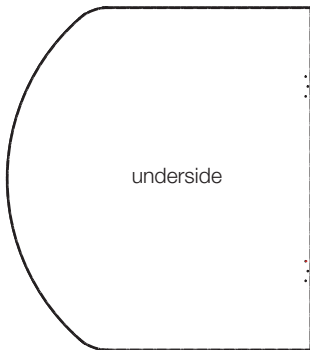
• Only clean using a damp cloth and mild detergent, do not use bleach or abrasive cleaners.

• From time to time check that there are no loose screws on this unit.

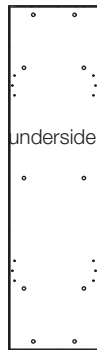
• This product should not be discarded with household waste. Take to your local authority waste disposal centre.

Components - Panels

Please check you have all the panels listed below



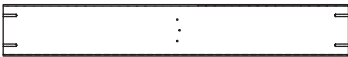
1 Top x 2 (71 x 80cm)



2 Top middle panel
(80 x 21cm)



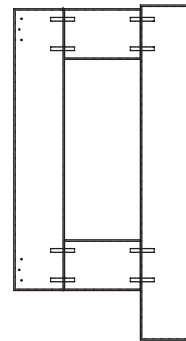
3 Front and back panel
x 2 (73 x 20.5cm)



4 Lower rail x 2 (74 x 11cm)



5 Upper rail x 2 (74 x 11cm)




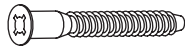

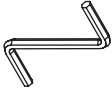

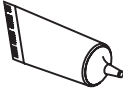

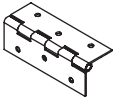
6 Gateleg x 2
(72.8 x 38.5cm)

Components - Fittings

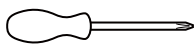
If you have damaged or missing components, call the **Customer Helpline: 0845 640 0800**

Please check you have all the fittings listed below

Note: The quantities below are the correct amount to complete the assembly. In some cases more fittings may be supplied than are required.

<p>A </p> <p>Foot x 6</p>	<p>B </p> <p>Bolt x 16</p>	<p>C </p> <p>Cover x 16</p>
<p>D </p> <p>Allen key x 1</p>	<p>E </p> <p>Wood dowel x 10</p>	<p>F </p> <p>Glue x 1</p>
<p>G </p> <p>Ø3 x 16mm screw x 48</p>	<p>H </p> <p>Hinge x 8</p>	

Tools required



Phillips screwdriver
(medium)



Ruler/tape
measure



Small
hammer

Ruler - Use this ruler to help correctly identify the screws

0 5 10 15 20 25 30 35 40 45 50 55 60 65 70 75 80 85 90 95 100 105 110 115 120 125 130 135 140 145 150 155 160 165 170

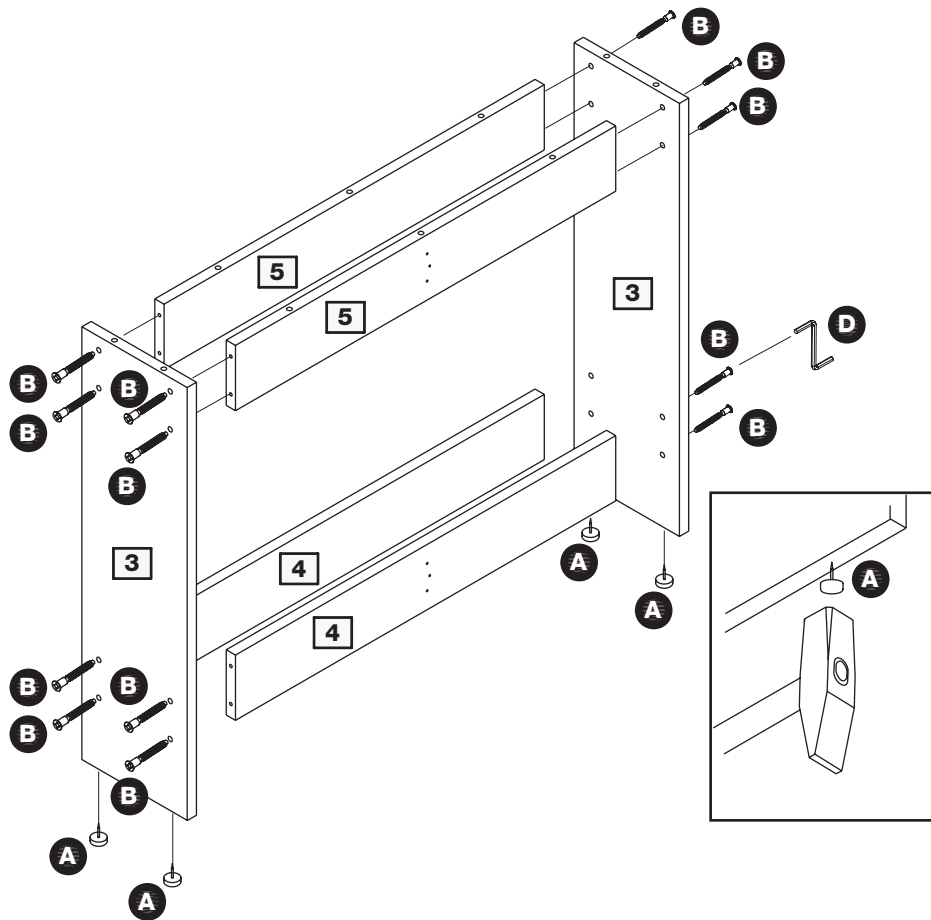
Assembly Instructions

Step 1

Attaching panels

Attach front and back panels **3** to the lower rails **4** and upper rails **5**, with screws **B** using allen key **D**.

Attach feet **A** to front and back panels **3**.



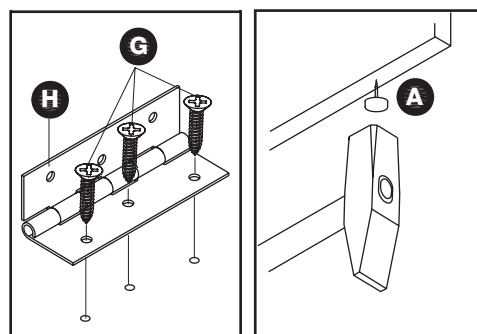
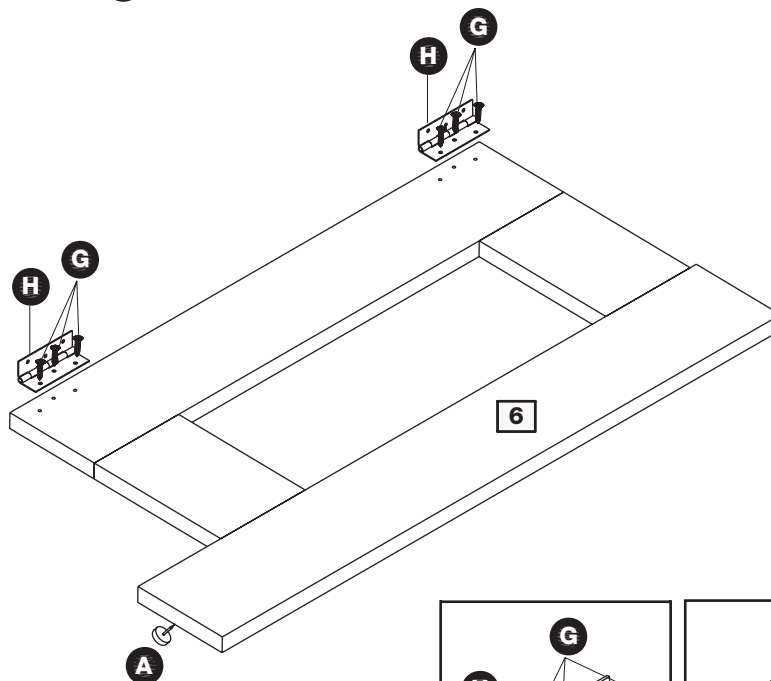
Step 2

Attaching hinges

Attach hinges **H** to the gateleg **6** with screws **G**.

Attach feet **A** to the gateleg **6**.

Repeat with remaining gateleg **6**.

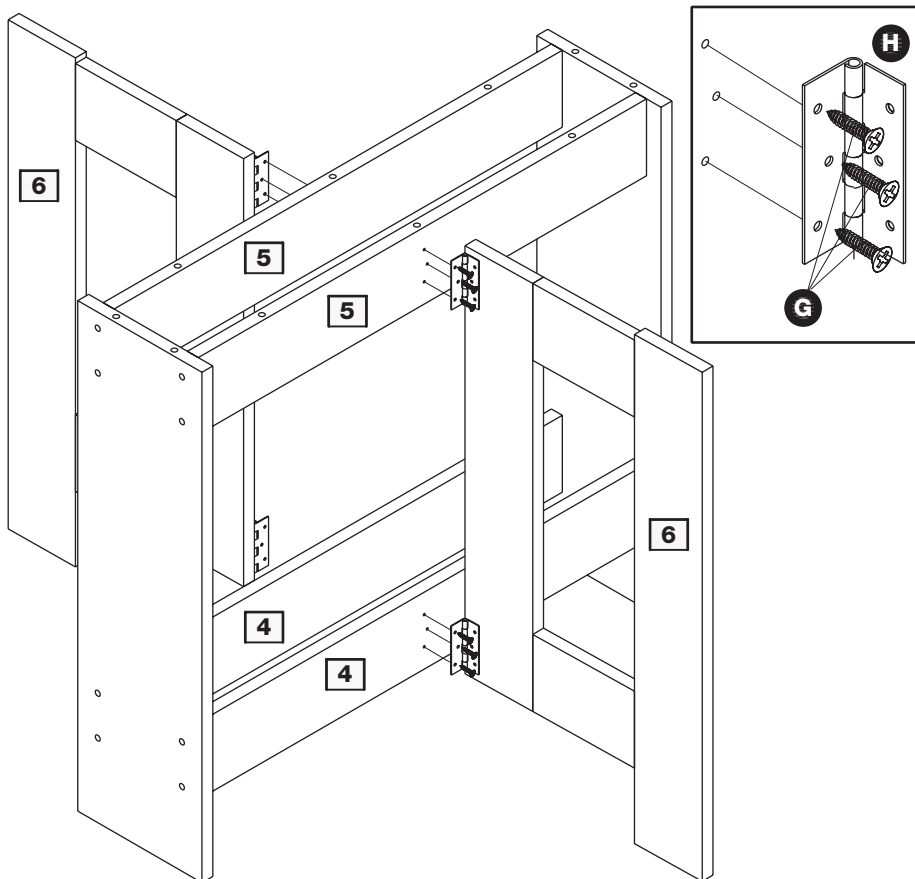


Assembly Instructions

Step 3

Attaching gatelegs

Attach gatelegs **6** to the lower rails **4** and upper rails **5** with hinges **H** using screws **G**.

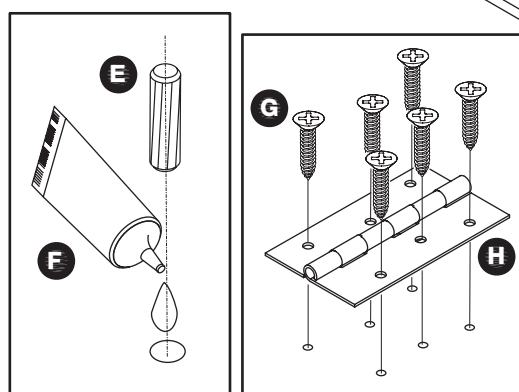
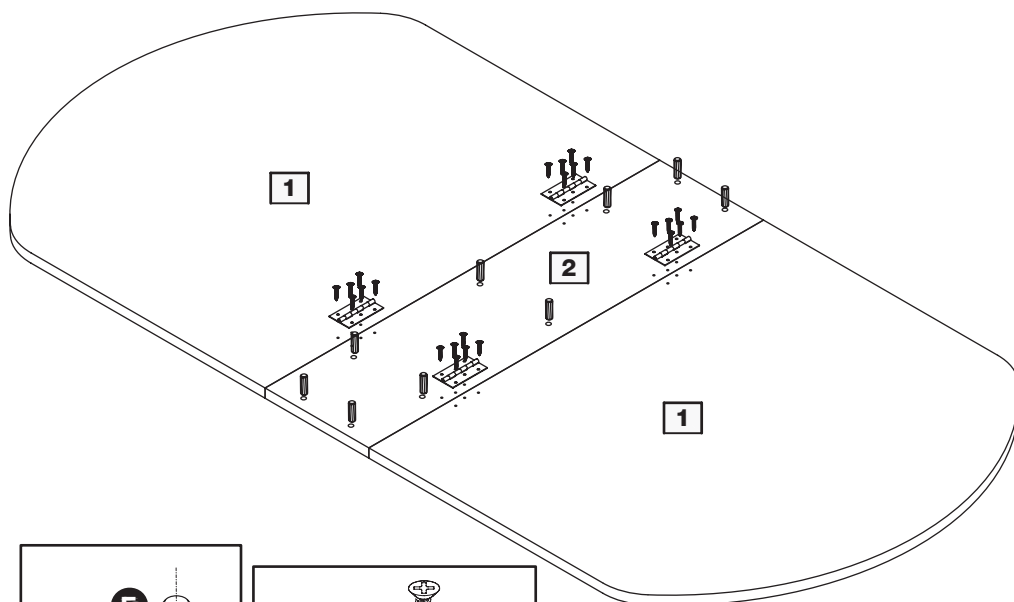


Step 4

Joining the tops

Connect tops **1** to the top middle panel **2** with hinges **H** using screws **G**.

Insert dowels **E** to the top middle panel **2** with glue **F**.

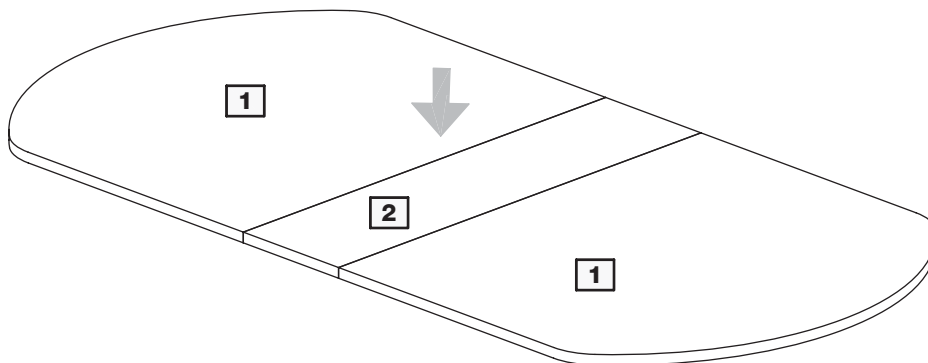


Assembly Instructions

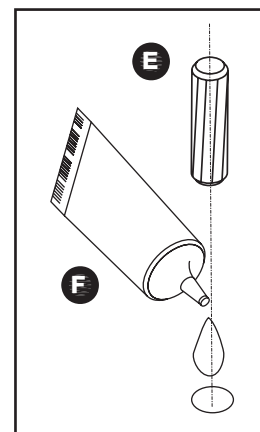
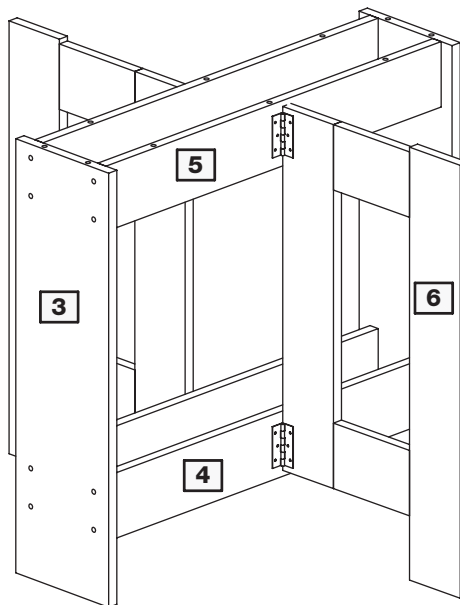
Step 5

Attaching top

Attach tops **1** and top middle panel **2** to the leg frame with dowels **E** using glue **F**.



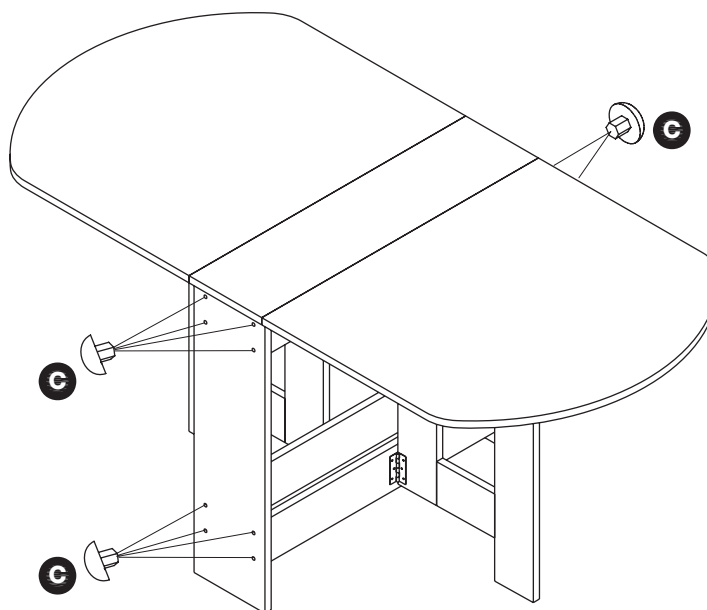
Tighten all the bolts.



Step 6

Cover the bolts

Cover the bolts with covers **C**.



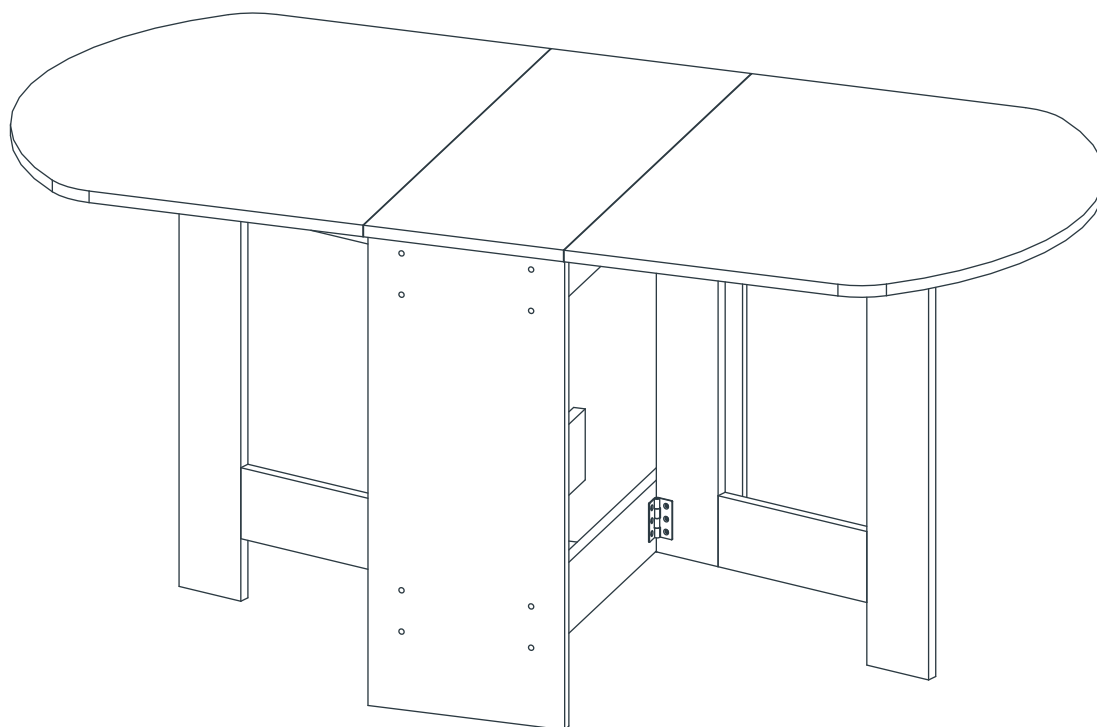
Assembly is complete.

If you need help or have damaged or missing parts, call the **Customer Helpline: 0845 640 0800**
Argos Ltd MK9 2NW

Gateleg Table

Assembly Instructions - Please keep for future reference

600/6156



Dimensions

Length - **163** cm

Width - 80cm

Height - 74.8cm

Important – Please read these instructions fully before starting assembly

If you need help or have damaged or missing parts, call the **Customer Helpline: 0845 640 0800**



Safety and Care Advice

Important – Please read these instructions fully before starting assembly

- Check you have all the components and tools listed on pages 2 and 3.
- Remove all fittings from the plastic bags and separate them into their groups.
- Keep children and animals away from the work area, small parts could choke if swallowed.
- Make sure you have enough space to layout the parts before starting.

- Do not stand or put weight on this product during assembly, this could cause damage.
- Assemble the item as close to its final position (in the same room) as possible.
- Assemble on a soft level surface to avoid damaging the unit or your floor.
- Parts of the assembly will be easier with 2 people.



- We do not recommend the use of power drill/drivers **for inserting screws**, as this could damage the unit. Only use hand screwdrivers.
- Dispose of all packaging carefully and responsibly.

Glue safety – Take care when using glue, please follow the advice below

Skin contact: Remove contamination by washing with soap and water. This procedure should also be followed prior to eating and drinking.

Eye contact: Rinse immediately with clean water for 15 minutes and seek medical advice.

If swallowed: Seek medical advice immediately.

Care and maintenance

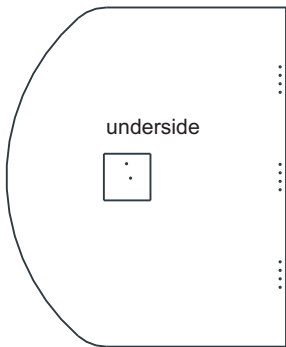
• Only clean using a damp cloth and mild detergent, do not use bleach or abrasive cleaners.

• From time to time check that there are no loose screws on this unit.

• This product should not be discarded with household waste. Take to your local authority waste disposal centre.

Components - Panels

Please check you have all the panels listed below



1 Top x 2 (66x80cm)



2 Top middle panel x 1 (31x80cm)



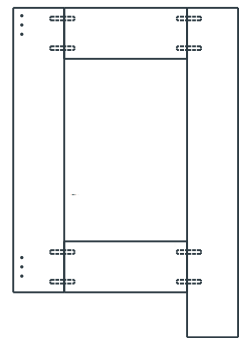
3 Front and back panel x 2 (73x30.5cm)



4 Lower rail x 2 (74x11cm)



5 Upper rail x 2 (74x11cm)








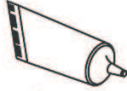

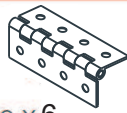

6 Gateleg x 2 (711x485cm)

Components - Fittings

If you have damaged or missing components, call the **Customer Helpline: 0845 640 0800**

Please check you have all the fittings listed below

Note: The quantities below are the correct amount to complete the assembly. In some cases more fittings may be supplied than are required.

A  Foot x 12	B  Bolt x 16	C  Cover x 16
D  Allen key x 1	E  Wood dowel x 14	F  Glue x 1
G  Ø 4x16 mm screw x 72	H  Hinge x 6	I  Hinge x 4

Tools required



Ruler - Use this ruler to help correctly identify the screws

0 5 10 15 20 25 30 35 40 45 50 55 60 65 70 75 80 85 90 95 100 105 110 115 120 125 130 135 140 145 150 155 160 165 170

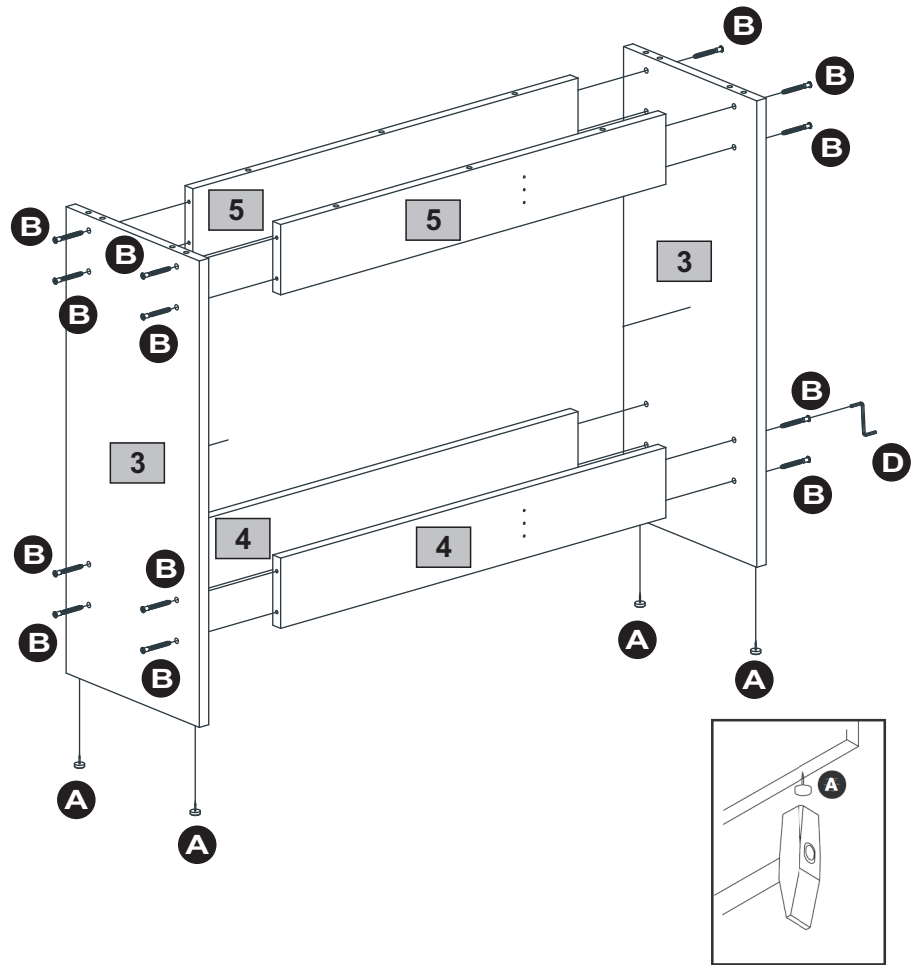
Assembly Instructions

Step 1

Attaching panels

Attach front and back panels **3** to lower rails **4** and upper rails **5**, with bolt **B** using allen key **D**.

Attach feet **A** to front and back panels **3**.



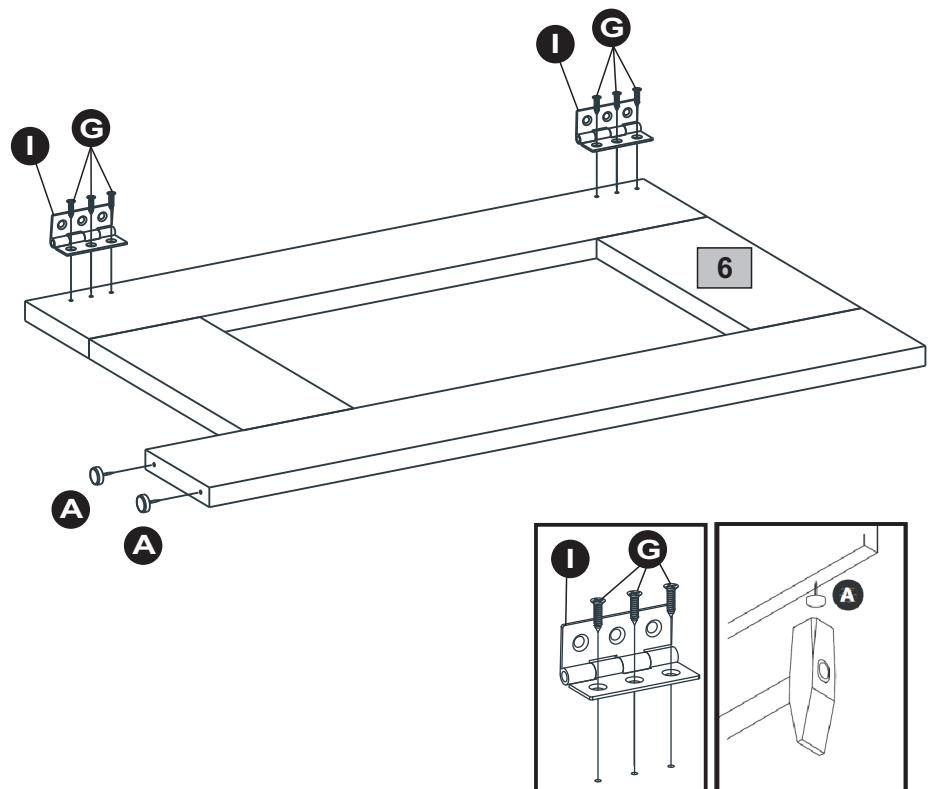
Step 2

Attaching hinges

Attach hinges **I** to gateleg **6** with screws **G**.

Attach feet **A** to gateleg **6**.

Repeat with remaining gateleg **6**.

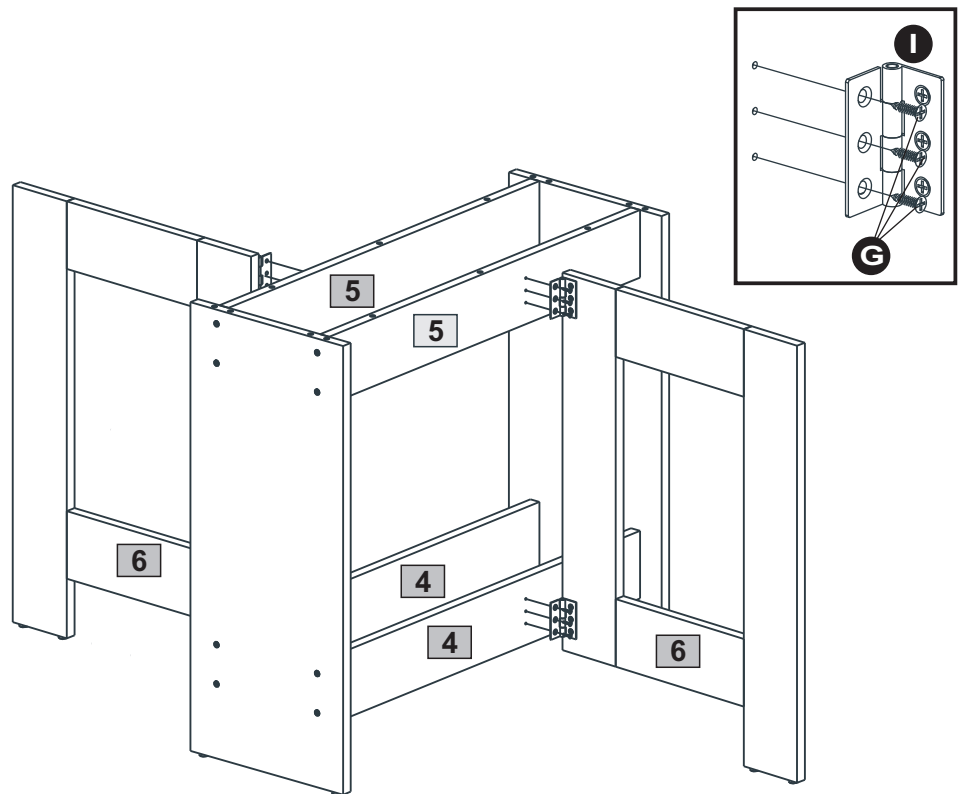


Assembly Instructions

Step 3

Attaching gatelegs

Attach gatelegs **6** to lower rails **4** and upper rails **5** with hinges **I** using screws **G**.



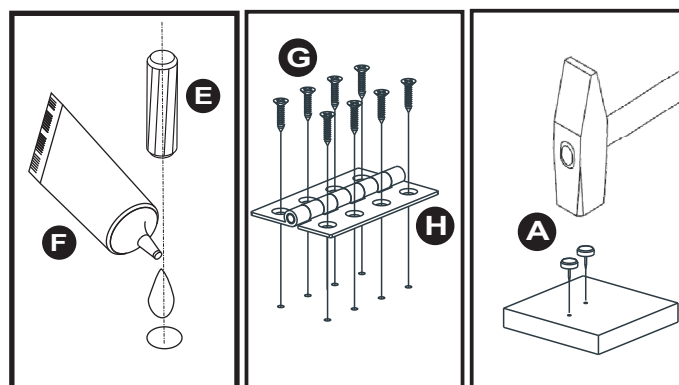
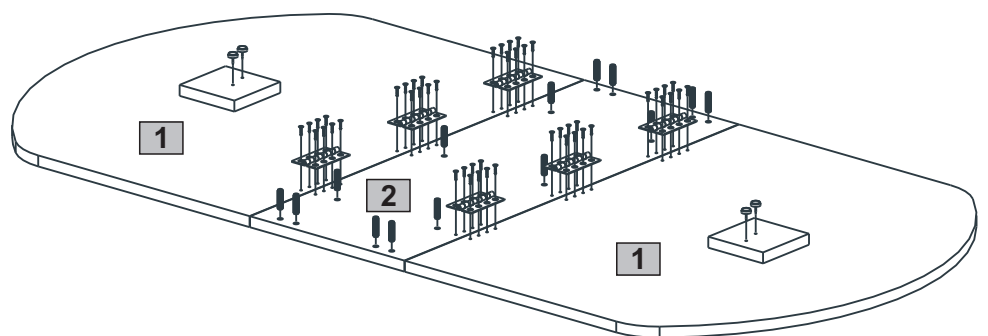
Step 4

Joining the tops

Connect tops **1** to top middle panel **2** with hinges **H** using screws **G**.

Insert dowels **E** to the top middle panel **2** with glue **F**.

Attach feet **A** to the tops **1**.

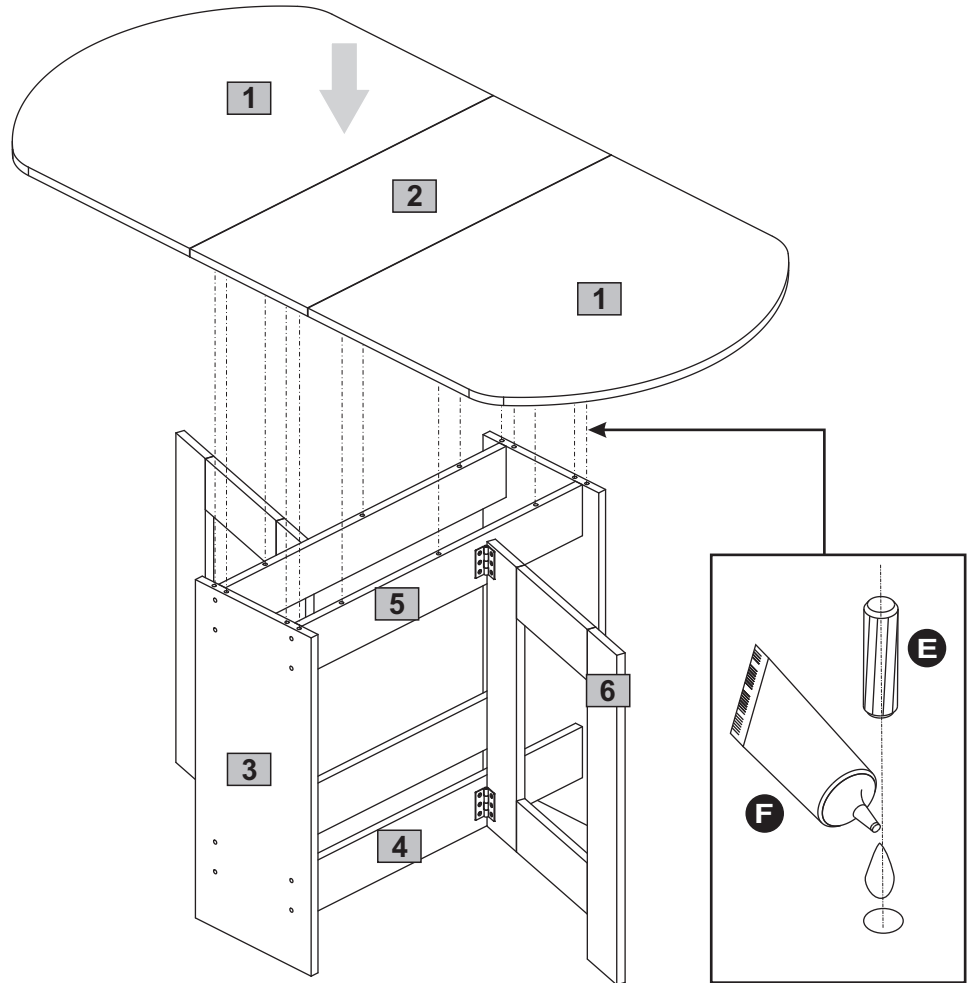


Assembly Instructions

Step 5

Attaching top

Attach tops **1** and top middle panel **2** to the leg frame with dowels **E** using glue **F**.

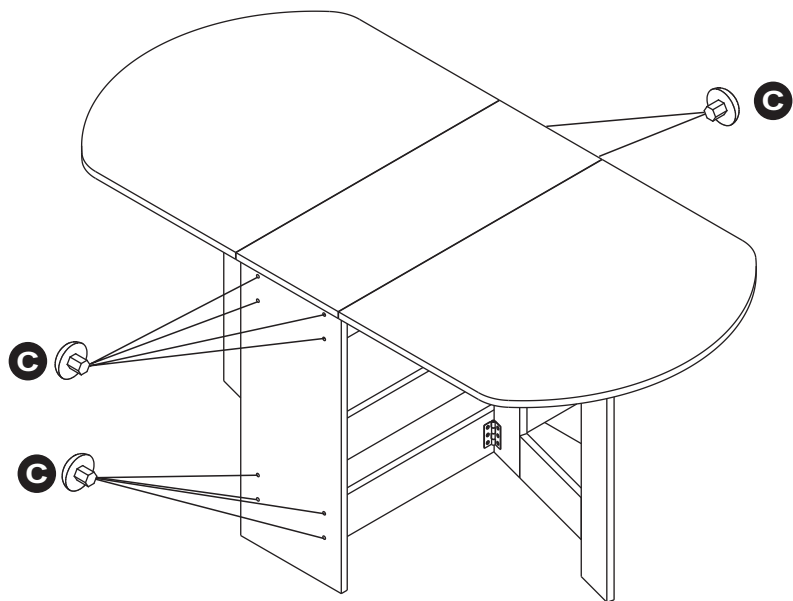


Tighten all the bolts.

Step 6

Sealing the bolts

Seal the bolts with covers **C**.



Assembly is complete.

If you need help or have damaged or missing parts, call the Customer Helpline: 0845 640 0800
Argos Ltd MK9 2NW