

BENTWOOD CHAIR AND FOOTSTOOL

Assembly Instructions - Please keep for future reference

067/0038

067/0045



Dimensions for chair

Width - 67
Depth - 84
Height - 101
Seat Height - 37

Dimensions for footstool

Width - 51
Depth - 48.5
Height - 35

Important – Please read these instructions fully before starting assembly

If you need help or have damaged or missing parts, call the Argos Aftersales helpline 0345 640 0800
489-499 Avebury Boulevard Milton Keynes MK9 2NW, Argos Limited



Safety and Care Advice

Important – Please read these instructions fully before starting assembly

- Check you have all the components and tools listed on pages 2 and 3.
- Remove all fittings from the plastic bags and separate them into their groups.
- Keep children and animals away from the work area, small parts could choke if swallowed.
- Make sure you have enough space to layout the parts before starting.

- Do not stand or put weight on the product, this could cause damage.
- Assemble the item as close to its final position (in the same room) as possible.
- Assemble on a soft level surface to avoid damaging the unit or your floor.
- Parts of the assembly will be easier with 2 people.



- We do not recommend the use of power drill/drivers for inserting screws, as this could damage the unit. Only use hand screwdrivers.
- Dispose of all packaging carefully and responsibly.

Care and maintenance

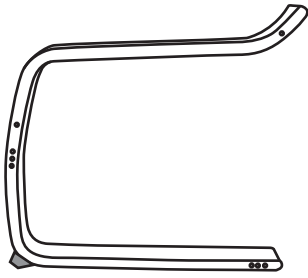
- Only clean using a damp cloth and mild detergent, do not use bleach or abrasive cleaners.
- From time to time check that there are no loose screws on this unit.
- This product should not be discarded with household waste. Take to your local authority waste disposal centre.

Notes:

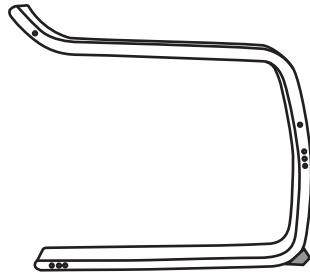
- Maximum load for this chair is 175kgs, personal injury could result if the chair is subjected to higher load.
- Do not use this chair on uneven ground.
- Adult assembly is required.
- Please retain the information relating to this product for further reference.
- Always follow the instructions provided for the assembly, use and maintenance of the product.
- To avoid puncturing place on a clean even surface free from stones and other sharp debris.

Components for Chair

Please check you have all the Components listed below



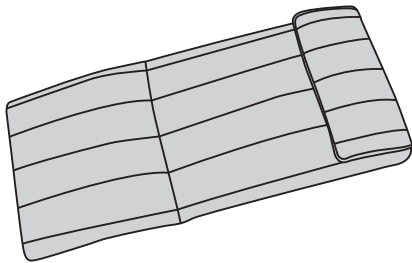
1 Right armrest (61 x 59cm)



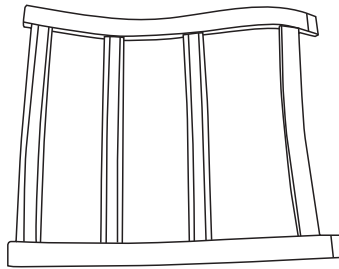
2 Left armrest (61 x 59cm)



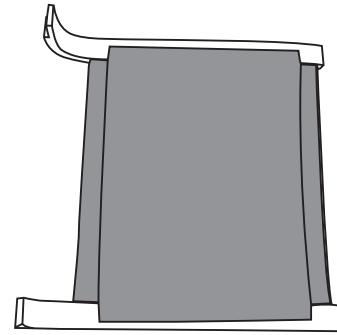
3 Support bar X 2 (55.2X6cm)



4 Cushion (126 x 57cm)



5 Back frame (67 x 55cm)



6 Seat frame (54 x 55cm)

Components - Fittings

If you need help or have damaged or missing parts, call the Argos Aftersales helpline 0345 640 0800
489-499 Avebury Boulevard Milton Keynes MK9 2NW, Argos Limited

Please check you have all the fittings listed below



A 15mm Screw x 2



B 10mm Screw x 2



C 108mm Screw x 4



D 82mm Screw x 4



E Nut x 4



F Allen key x1

Ruler - Use this ruler to help correctly identify the screws

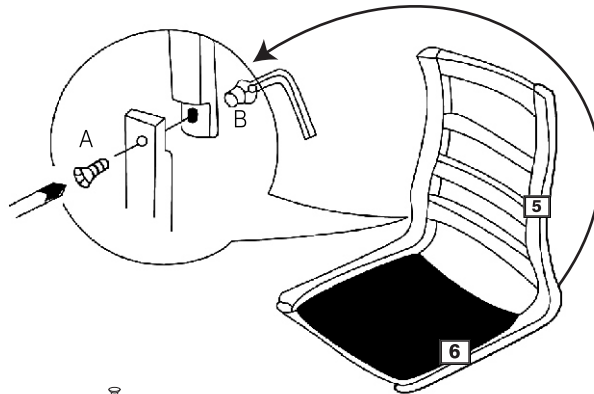
0 5 10 15 20 25 30 35 40 45 50 55 60 65 70 75 80 85 90 95 100 105 110 115 120 125 130 135 140 145 150 155 160 165 170

Assembly Instructions for Chair

Step 1

Assemble Seat and Back part

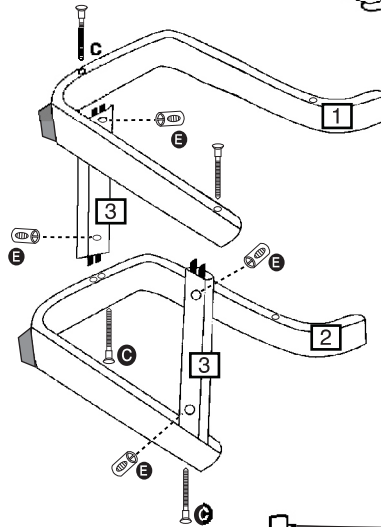
Fix seat **6** and back **5** by screws **A** and **B**



Step 2

To assemble Armrest and Support bars

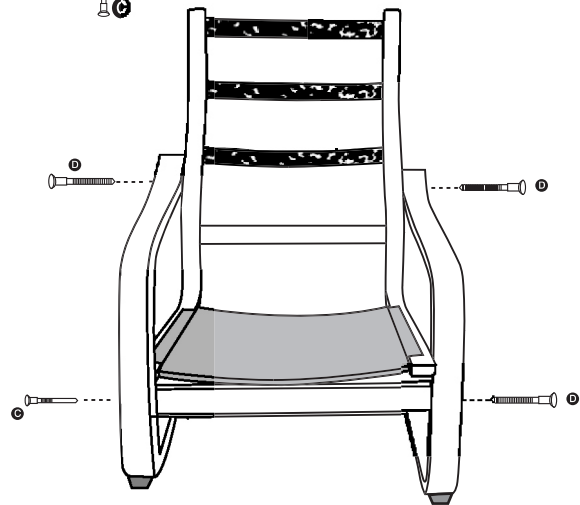
Fix support bars **3** onto armrest **1** and **2** by using screws **C** and nuts **E**



Step 3

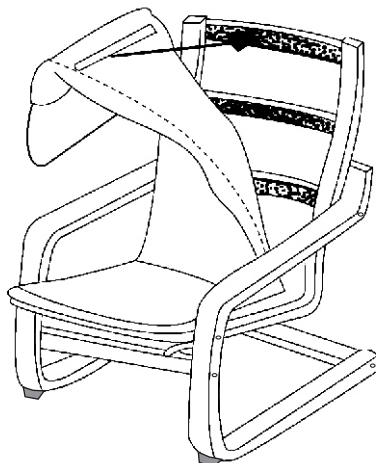
To assemble wooden part

to fix seat and back part onto armrest by using screw **D** then tighten all the screws by using Allen Key **F**



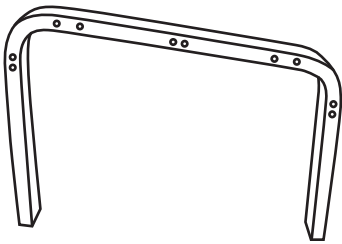
Step 4

Attaching the cushion **4**

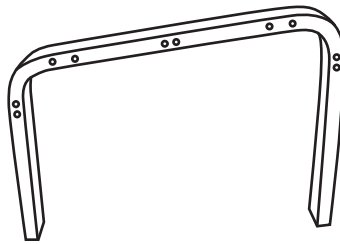


Components for Footstool

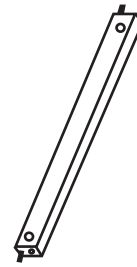
Please check you have all the Components listed below



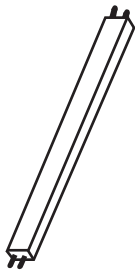
1 Right armrest (108 x 5cm)



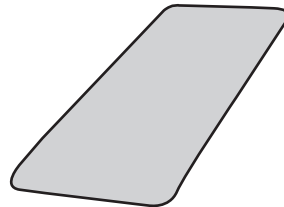
2 Left armrest (108 x 5cm)



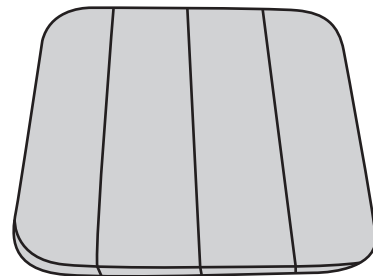
3 Support bar I X 3 (41 x 5cm)



4 Support bar II X 2 (41 x 5cm)



5 Inner fabric bag (55 x 38 cm)



6 Cushion (46 x 41cm)

Components - Fittings

If you need help or have damaged or missing parts, call the Argos Aftersales helpline 0345 640 0800
489-499 Avebury Boulevard Milton Keynes MK9 2NW, Argos Limited

Please check you have all the fittings listed below



108mm Screw x 6



Nut x 6



Allen key x1

Ruler - Use this ruler to help correctly identify the screws

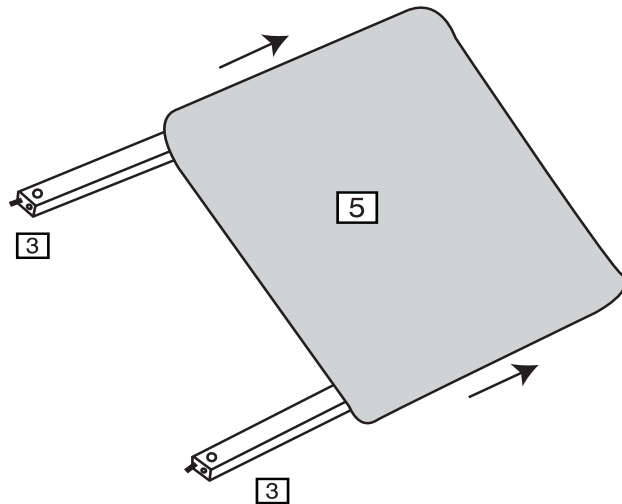


Assembly Instructions for Footstool

Step 1

Put Support bars into Fabric Bag

Put support bar **3** through the fabric bag **5**



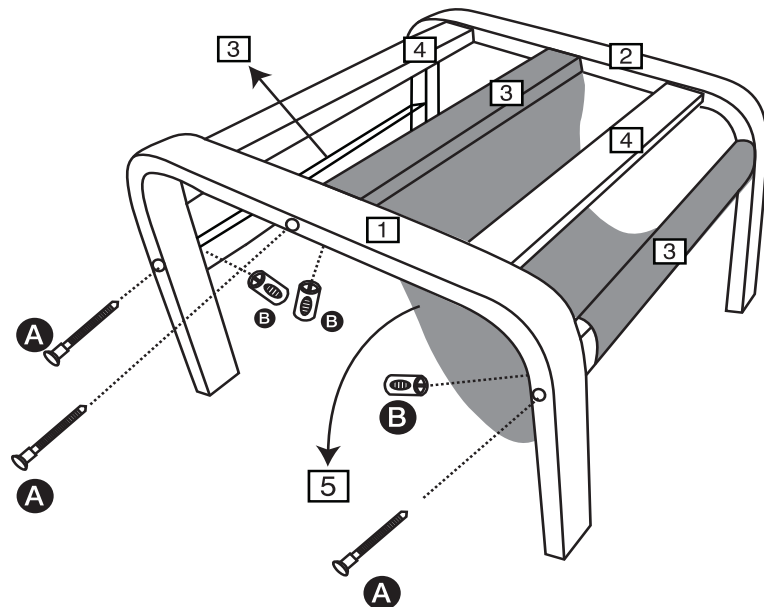
Step 2

Assembling Wooden Part

Fix support bars **3** and **4** onto armrest **1** and **2**

by using screw **A** and Nut **B**

Last tighten all the screws by Allen Key **C**

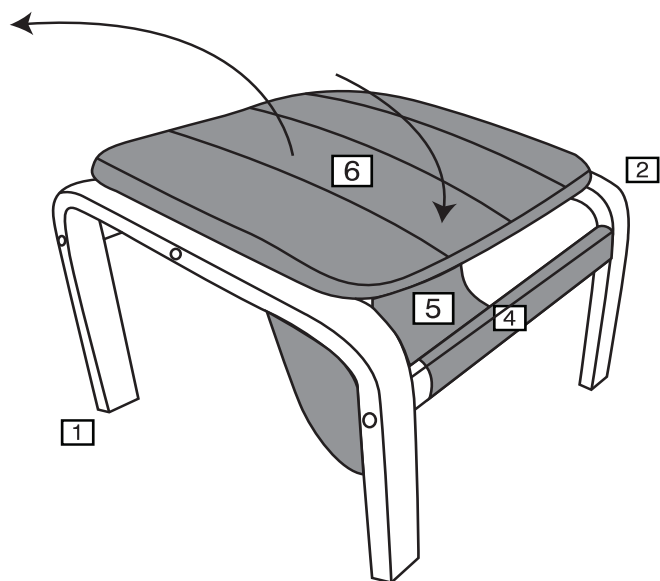


Step 3

Attaching the Cushion

6 to support bars **4** by using velcro under the cushion

Assembly is completed.



If you need help or have damaged or missing parts, call the Argos Aftersales helpline 0345 640 0800
489-499 Avebury Boulevard Milton Keynes MK9 2NW, Argos Limited