

# ***Binatone***



## **User Guide**

### **DC200**

**1<sup>st</sup> edition**

[www.binatoneglobal.com](http://www.binatoneglobal.com)



## IMPORTANT

Before start recording or take photography, please insert a Micro SD card into the device in correct direction and ensure it is fixed in the card slot.

If you are adding a new SD card to the device, we recommend you format it before use.

Micro SD card requirement: 4GB or above, CLASS 10 or above.

### **Unpacking your Binatone Dash camera System**

In the box you will find

- **Dash camera Device**
- **Windscreen mount**
- **Cigarette charger**
- **User Guide**

Keep the packaging materials in a safe place in case you later need to transport the unit. Keep your sales (till) receipt, which is your guarantee. Before you can use the unit, you'll need to fully charge the battery as described on page 7.

#### **WARNING:**

When using the Dash camera device in your car, we recommend that you always use the cigarette charger in order to maintain the battery level.

The unit is not designed to be run on battery power alone, the battery is there for backup purposes only.



## Safety

### Using your dash camera in the car

When using your dash camera while driving it is essential that you drive with due care and attention. Never modify the settings or program your dash camera while driving. Only look at the screen when it is safe to do so. When mounting the dash camera in your car make sure that it does not obscure your view or impede the operation of any driving controls.

### Battery

Your dash camera device uses a Li-polymer battery. Do not use it in humid, wet or corrosive environments. Do not operate or store your dash camera in high temperatures ( $>60^{\circ}$ ) or in direct sun light. Do not pierce or break the battery casing.



Failure to follow these cautions will invalidate the warranty and may cause the battery to leak acid, become hot, explode or ignite and cause injury or damage.

If you come into contact with leaked battery acid wash the contact area thoroughly and seek medical attention.

The Li-polymer battery contained in this unit must be recycled or disposed of properly.

Do not dispose of in household waste or burn.



---

## CONTENTS

<b>Important</b>	02
In the Box	02
<b>Safety</b>	03
Using your dash camera in the Car	03
Battery	03
<b>Contents</b>	04
<b>Quick Start Guide</b>	07
Position of the Controls	07
Installing a Micro SD Card	09
Cigarette charger	09
Turning the Dash camera Unit On/Off	10
System Reset	10
Windscreen Holder Installation	11
<b>Starting Up</b>	12
<b>Basic features</b>	12
Entering the Setting menus	12
Power on/off	13
Video/Camera/Playback mode	13
Audible recording (Mic on/off)	13
<b>Video Settings</b>	13
Resolution setting	13
Loop recording setting	15
Exposure setting	15
White balance setting	15
Motion Detection setting	16



Record Audio setting	16
Date Stamp setting	16
G-sensor setting	17
<b>Device setup</b>	17
Park mode setup	18
Date/time setup	18
Auto power off setup	18
Screen Saver setup	19
Beep Sound setup	19
Language setup	19
Frequency setup	20
Flash setup	20
Format	20
Default setting	20
Version	21
<b>Camera Settings</b>	21
Resolution setting	22
Sequence setting	22
Quality setting	22
Sharpness setting	23
White Balance setting	23
ISO setting	24
Exposure setting	24
Anti-Shaking setting	24
Quick Review setting	25
Date Stamp setting	25
<b>Playback setting</b>	26



Delete setting	26
Protect setting	27
<b>Playback on PC</b>	<b>27</b>
<b>Technical Support or contact</b>	<b>28</b>
<b>Technical Specifications</b>	<b>29</b>
<b>EC Declaration of Conformity</b>	<b>30</b>

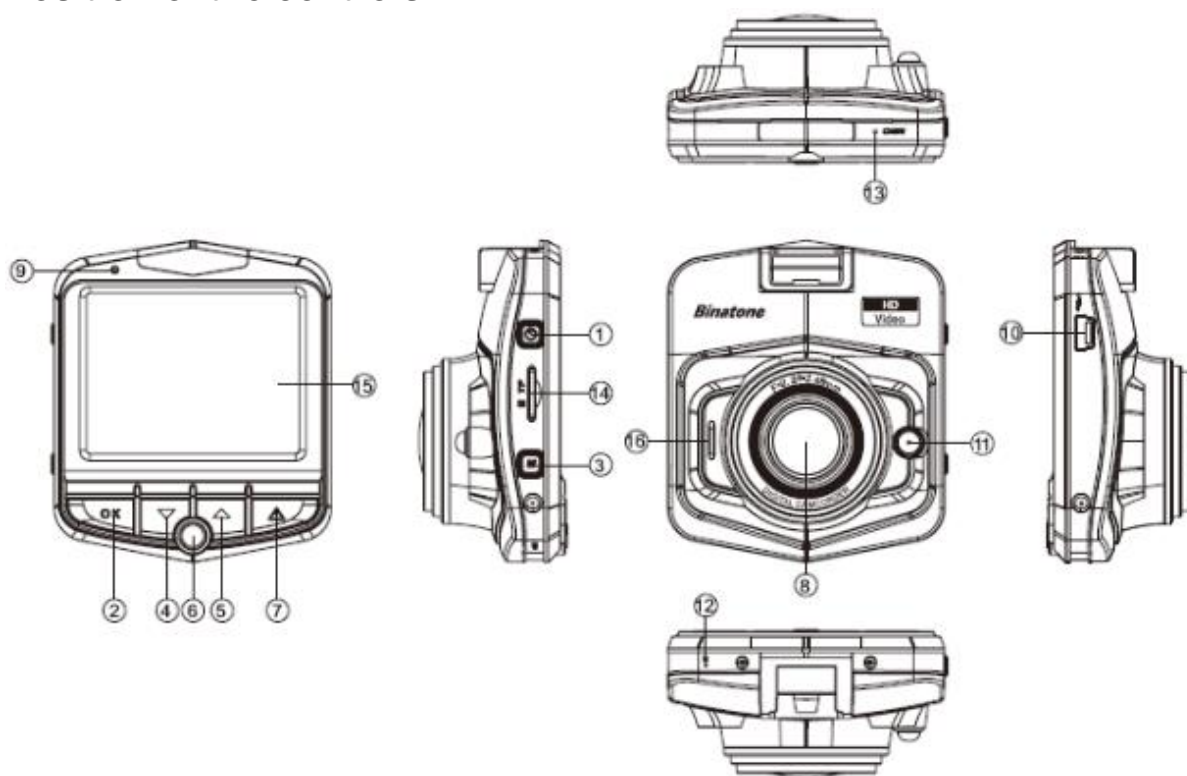


## Quick Start Guide

Please make sure that you read all of the information contained within this user guide before operating this unit.

If you experience any problems, please go through the user guide before contacting the customer helpline.

## Position of the controls



- 1. On/Off Button –** Press 1 second to power on.  
Press and hold 2 seconds to power off.



- 2. OK Button –** Press to turn the LED light ON/OFF when the device in video mode.  
Press to select and enter when you setting.  
Press to start/stop recording (or take photograph) during the device working.
- 3. Menu Button –** Press to enter into (or exit) the menu (or setup).
- 4. Down Button –** Press down to select menu.  
Press to decrease volume during playback.  
Press and hold to make fast forward during playback.
- 5. UP Button –** Press up to select menu.  
Press to increase volume during playback.  
Press and hold to make fast backward during playback  
Press to turn ON/OFF microphone during recording.
- 6. Parking Button–** Press to turn parking monitor ON/OFF.
- 7. Lock Button –** Press to switch working mode between Video/ Photo / Playback.  
Press to lock/unlock the current file during recording.
- 8. Lens**
- 9. Charge Indicator –** Green-unit ON, Flash-recording.
- 10.USB Port –** For charging and data transfer.
- 11.LED Light**
- 12.Reset Button–** System reset switch
- 13.Microphone**
- 14.Memory Card Slot –**For use with Micro SD type cards.
- 15.LCD screen**
- 16.Speaker**





### Installing a Micro SD Card

You may install it as described below.

At least 4GB  
microSD



Switch the unit off first before installing or removing the MicroSD card. When installing it can only be fitted one way – the contacts should be facing away from you and the cut-off corner at the bottom (as shown above). Slide the card in and push it in so that it clicks into place. Once the card is installed it does not need to be removed. If you need to remove the card, push the card in and it will eject from the slot.

### Cigarette charger

When using your dash camera in the car we recommend that you always use the Cigarette charger to power the unit. Plug the Cigarette charger into the USB socket of the unit. Plug the other end of the adapter into the car's cigarette-lighter / 12V DC socket.



The adaptor is also compatible with 24V DC sources, as found in many heavy goods vehicles.

### **Turning the dash camera Unit On/Off**

Your dash camera will power on and start to record automatically as soon as it is connected to power, and will shutdown automatically once it disconnect to power over 10 seconds.

You can also power it on and off manually. Press the On/Off button for 1 second to power on, press and hold the On/Off button for 2 seconds to power off.

### **System Reset**

Under extreme circumstances it may be necessary to reboot the system. Reset the system if the following situation occurs:

- Long delay experienced with screen refresh rate or operation, resulting in an inoperable unit.
- The system will not turn off with the power button.
- No response with press button.

The reset button can be found on the top of the unit. Insert the tip of the stylus pen or small blunt implement into the reset hole in order to press the button. The system will be immediately reset.

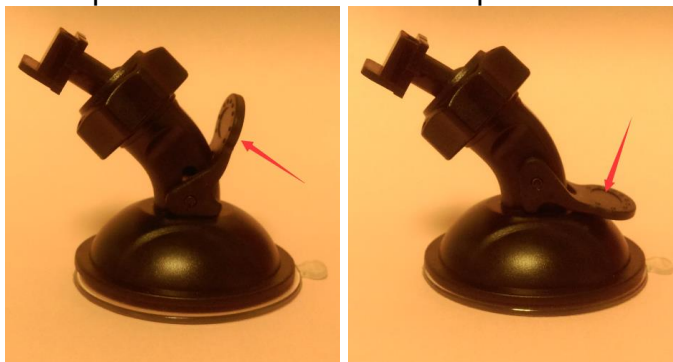


### Windscreen Holder Installation

The Windscreen mount has a suction pad that fits to the windscreen or a flat area on the dashboard.

#### A. Fitting to windscreen

Pull the lever away from the suction pad. Place the pad on the windscreen and push the lever towards the pad until it clicks into place.



#### B. Fitting the Unit

Push the unit forward until it clicks into place at the top. Make sure you clean the lens after installation.

#### C. Remove the unit from the Windscreen mount

Pull the unit backward and out of the Windscreen mount.

#### D. Remove the Windscreen mount from the windscreen;

Lift the lever away from the windscreen, then gently pull the tab on the suction cup to release the suction as you pull the mount away from the windscreen.



## Starting Up

Your dash camera will power on and start to record automatically as soon as it is connected to power.

You can also power it on manually: Press the On/Off button for 1 second.

Your dash camera has been designed to be as simple to use as possible. The purpose of a DVR is to continually record the road ahead and to automatically record and save any incidents or accidents you might be involved in. To ensure that your dash camera does this as efficiently as possible, it will always power up in to video mode and begin recording automatically. Simply connect your dash camera to a power source that comes on when you start the engine of your vehicle, and dash camera will start recording automatically without you having to remember to press on a button.

The following screens is displayed when the device power on.



## Basic features

Your dash camera comes as standard with all features set to their optimum settings, however the unit has certain user selectable features you can change to suit your own requirements.

### Entering the Setting menus

You can use the Menu button to enter the Settings menu and the Additional Settings menu.



### **Power on/off**

Your dash camera will power on and start to record automatically as soon as it is connected to power. You can also power it on and off manually. Press the power button for 1 second to power on, press and hold the power button for 2 seconds to power off.

### **Video/Camera/Playback mode**

You can only switch the working mode when your dash camera is not recording. Your dash camera has 3 working mode: Video, Camera and Playback. You can press Lock button to switch.

### **Audible recording (Mic on/off)**

When recording video you have a choice of whether you want to have the mic turned on to record audible sounds within your vehicle or to record video without sound. Press the Up button to turn the mic on or off. The Mic icon on the LCD display will change to confirm your selection.

## **Video Settings**

Press menu button during the device in video mode standby, the following screen are displayed. Press Up or Down button to select item or switch to page 2. You will be able to change related parameters about the video.



### **1) Resolution setting**

Press Up or Down button to select Resolution menu, then press OK button, the following screen is displayed. Press Up or Down button to select the resolution which you want, then press OK button, the resolution will be save and return to the menu.



The higher resolution selected the more memory required to save and store lengths of video. If you want to store more video on one SD card, try reducing the resolution.



Resolution	Card capacity	Recording time (minute)
1080FHD 1920*1080	4GB	25
	8GB	50
	16GB	100
	32GB	200
1080P 1440*1080	4GB	40
	8GB	80
	16GB	160
	32GB	320
720P 1280*720	4GB	45
	8GB	90
	16GB	180
	32GB	360
WVGA 800*480	4GB	85
	8GB	170
	16GB	340
	32GB	680
VGA 640*480	4GB	100
	8GB	200
	16GB	400
	32GB	800



## 2) Loop recording setting

Press Up or Down button to select Loop recording menu, then press OK button, the following screen is displayed. Press Up or Down button to select the time per video which you want, you can select off also, then press OK button to confirm your selection and return to menu.

If you selected “Off”, when you start video record, device will recording until micro SD card full, and save the video as one file.

If you selected “X minutes”, means you had selected loop recording function, video will be save in micro SD card as X minutes per file, when micro SD card full, the oldest one will be delete and the latest video will save in same space, if the oldest video was locked, the next one will be delete.

## 3) Exposure setting

Exposure determines how light or dark an image or video will appear when it's been captured by your dash camera. You can adjust the exposure as you require. For example, during the winter you may want to change the exposure to account for the darker days.

Press Down button to select Exposure menu, then press OK button, the following screen is displayed. Press Up or Down button to choose between +2.0,+5/3,+4/3,+1.0,+2/3,+1/3,+0.0,-1/3,-2/3,-1.0,-4/3,-5/3 and -2.0. Then press OK button to confirm and return to the menu. The greater exposure value, means that the screen brightness will be higher.



## 4) White balance setting

White balancing can make the difference between a video that looks natural and one that looks a little off, things may look a bit too blue (cool) or yellow (warm).



Press Down button to select White balance menu, then press OK button, the following screen is displayed. Press Up or Down button to select the mode which you want, then press OK button to confirm your selection and return to the menu. If you selected “Auto”, device will adjust white balance based on colour’s temperature automatically.



#### 5) **Motion Detection setting**

Press down button to select Motion Detection menu, then press OK button, and then press Up or Down button to select “On” or “Off” mode which you want, then press OK button to confirm your selection and return to the menu.

If you selected “On” mode, in standby state, once it detects images is changing, it will record video and save the file for 10 seconds automatically, and then get back to standby state .

#### 6) **Record Audio setting**

Press down button to select Record Audio menu, then press OK button, and then press Up or Down button to select “On” or “Off” mode which you want, then press OK button to confirm your selection and return to the menu.

If you selected “On”, the video record will with voice, if you selected “Off”, the video record will without voice.

#### 7) **Date Stamp setting**

Press down button to select Date Stamp menu, then press OK button, and then press Up or Down button to select “On” or “Off” mode which you want, then press OK button to confirm your selection and return to the menu.

If you selected “On”, the video record will with date/time stamp, if you selected “Off”, the video record will without stamp.





## 8) G-sensor setting

Your DC200 has a built-in G-Sensor which continually monitors for impact or sudden changes in direction or speed, so it can sense whether your vehicle has been involved in an incident or accident. If the G-Sensor senses one of these things, your DC200 will automatically lock and save the preceding length of video recorded so that you will have a permanent record of the event.

Your unit comes with the G-Sensor set to low sensitivity, which we think is the optimum setting but you can change this if required.

Press down button to select G-sensor menu, then press OK button, the following screen is displayed. Press Up or Down button to select the mode which you want, then press OK button to confirm your selection and return to the menu.

Selecting “Low”, “Middle” or “High” mode, adjusts the force required to trigger the G-sensor function.

If device is in parking mode, on detecting vibration, it will be start up and record video for 5 minutes, then save the file and return parking mode again automatically.

## Device setup

Press Menu button two times during the device standby, the following screen are displayed. Press Up or Down button to select item or switch to page 2 and page 3.





### 1) Park mode setup

If Park Mode is switched on, your dash camera will shut down 10 seconds after ignition turns off but as soon as any movement is sensed with any external disturbance to your vehicle, it will power up and start recording automatically. Press down button to select Park mode menu, then press OK button, and then press Up or Down button to select “On” or “Off” mode which you want, then press OK button to confirm your selection and return to the menu. If park mode selected “On” and G-sensor selected “Low” or “Middle” or “High” mode, with the device shut down, on detecting vibration, it will be start up and record video for 5 minutes, then save the file and shut down again automatically.

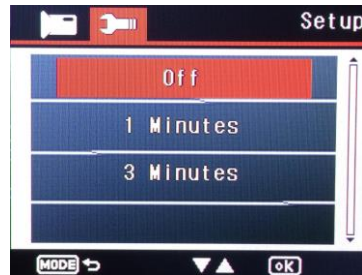
### 2) Date/time setup

Press down button to select Date/time menu, then press OK button, the following screen is displayed. Press Up or Down button to correct date and time, then press OK button, the date and time will be corrected. Press Menu Button to save and exit to setup menu.



### 3) Auto power off setup

Press down button to select Auto power off menu, then press OK button, the following screen is displayed. Press Up or Down button to select the mode which you want, then press OK button to confirm your selection and return to the menu. If you selected “Off”, device will never auto power off. If you selected “X minutes”, device will be shutdown if no operating more than X minute.



#### 4) Screen Saver setup

Press down button to select Screen saver menu, then press OK button, the following screen is displayed. Press Up or Down button to select the mode which you want, then press OK button to confirm your selection and return to the menu. If you selected “Off”, screen will always display until device turn off. If you selected “X minutes”, screen will go dark into saver mode if no operation for more than X minutes.



#### 5) Beep Sound setup

Press down button to select Beep Sound menu, then press OK button, and then press Up or Down button to select “On” or “Off”, then press OK button to confirm your selection and return to the menu.

If you selected “Off”, device will be silent when you press the button.

If you selected “On”, device will make Beep sound when you press the button.

#### 6) Language setup , English only

**7) Frequency setup**

Press down button to select Frequency menu, then press OK button, and then press Up or Down button to select light frequency “50Hz” or “60Hz”, then press OK button to confirm your selection and return to the menu.

When your dash camera working under the light, please make sure what frequency of the light and set your device accordingly.

**8) Flash setup**

Press down button to select Flash menu, then press OK button, and then press Up or Down button to select LED light “On” or “Off”, then press OK button to confirm your selection and return to the menu.

You can use ON/OFF button to turn LED light ON or OFF also. When the device in video mode, press ON/OFF button, the flash light will be turn on, press again, the flash light will be turn off.

**9) Format**

You can use this function to format your micro SD card.

Press down button to select Format menu, then press OK button, and then press Up or Down button to select “Cancel” or “OK”, then press OK button, the mode will be save. If you selected “OK”, the Micro SD card will be format, all data will be deleted.

Note, insert a new micro SD card into your device, please format first.

**10) Default setting**

Use this function to return your dash camera to it’s original default factory settings.

Press down button to select Default setting menu, then press OK button, and then press Up or Down button to select “Cancel” or “OK”, then press OK button to confirm.

If you selected “OK” and confirmed, device will be return to default setting.

If your device hung up or working not good, you can default it.



## 11)Version

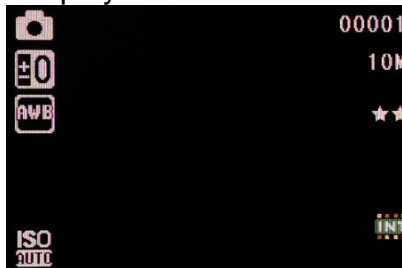
Press down button to select Version menu, then press OK button, you will see the version of operating system software.

## Camera setting

DC200 has been designed primarily to function as a DVR, to record the road ahead and to save any incidents or accidents you may be involved in. However, in addition to the DVR function, your DC200 can also be used to take still photographs.

DC200 will always power up in Video mode and start recording automatically, so to switch to Camera mode, press OK button, to stop Video recording.

Press Lock button during the device standby in Video mode, switch device to camera mode, the following screen is displayed.



Press menu button during the device standby in camera mode, the following screen are displayed. Press Up or Down button to select item or switch to page 2 and page 3.





### 1) **Resolution setting**

Press down button to select Resolution menu, then press OK button, the following screen is displayed. Press down/up button to select the resolution which you want, then press OK button, the resolution will be save. The bigger resolution number means the photo quality will better than smaller one, but it need more storage space to save photo file also.



### 2) **Sequence setting**

Press down button to select Sequence menu, then press OK button, and then press Up or Down button to select “Off” or “On”, then press OK button to confirm and return to the menu.

If you selected “Off”, you will take 1 photo when you press “OK” Button once;  
If you selected “On”, you will take 5 photos when you press “OK” Button once.

### 3) **Quality setting**

Press down button to select Quality menu, then press OK button, the following screen is displayed. Press Up or Down button to select which you want, then press OK button to confirm your selection and return to the menu.

High quality photo will need more space to save the file.



#### 4) Sharpness setting

Press down button to select Sharpness menu, then press OK button, the following screen is displayed. Press Up or Down button to select which you want, then press OK button to confirm and return to the menu.

“Strong” means the clarity of image is the best.



#### 5) White Balance setting

As same as video white balance setting.







## 6) ISO setting

ISO setting controls the sensitivity of your camera's sensor to a given amount of light, but higher ISO settings affects image noise.

Press down button to select ISO menu, then press OK button, the following screen is displayed. Press Up or Down button to select which you want, then press OK button to confirm your selection and return to the menu.

If you selected “Auto”, device will adjust ISO level automatically, based on the brightness of environment.



## 7) Exposure setting

Same as video exposure setting.



## 8) Anti-Shaking setting

Press down button to select Anti-Shaking menu, then press OK button, the following screen is displayed. Press Up or Down button to select “Off” or “On”, then press OK button to confirm your selection and return to the menu.





If you selected “On”, means anti-shaking function was opened, you will be able to take a high quality image when the device shaking.

#### 9) **Quick Review setting**

Press down button to select Quick Review menu, then press OK button, the following screen is displayed. Press Up or Down button to select which you want, then press OK button to confirm and return to the menu.

If you selected “Off”, quick review function will be turn off.

If you selected “2 seconds” or “5 seconds”, the review speed will under 2 or 5 seconds per photo.



#### 10) **Date Stamp setting**

Press down button to select Date Stamp menu, then press OK button, the following screen is displayed. Press Up or Down button to select which you want, then press OK button to confirm and return to the menu.

If you selected “Off”, you will take photo without date/time stamp;

If you selected “Date”, you will take photo with date stamp only;

If you selected “Date/Time”, you will take photo with date & time stamp.



## Playback setting

Press Lock button twice during the device standby in Video mode, switch device to Playback mode, the following screen is displayed.

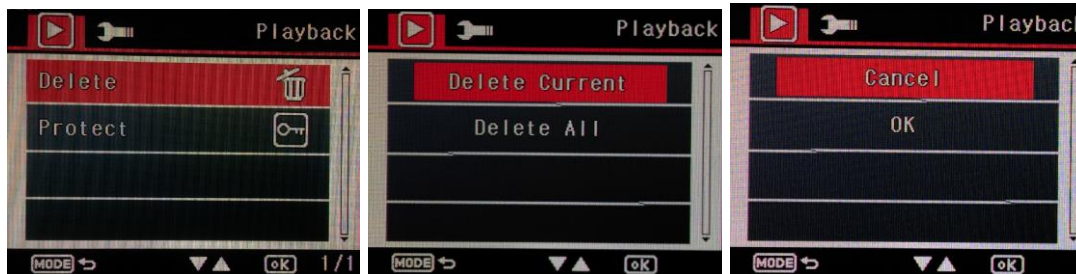


### 1) Delete setting

Press down button to select Delete menu, then press OK button, the second screen is displayed. Press Up or Down button to select the menu what you want to do and then press OK button, the third screen is displayed. Press Up or Down button to select the menu what you want to do.

If you selected "Cancel" and press "OK" button, will turn to first screen.

If you selected "OK" and press "OK" button, you selected will be delete.



## 2) Protect setting

Press down button to select Protect menu, then press OK button, the second screen is displayed. Press Up or Down button to select the menu what you want to do and then press OK button, the third screen is displayed. Press Up or Down button to select the menu what you want to do.

If you selected “Cancel” and press “OK” button, will turn to first screen.

If you selected “OK” and press “OK” button, you selected will be protect.



## Playback on PC

You can view the recorded files from the microSD card on a PC (or even a smartphone), if it accepts microSD card. Most video viewing software packages will be able to view the files on the card.



## Technical Support or contact

If you have a technical problem with your device please contact the helpline on 0844 557 9677 or for more information regarding your product go to

[www.binatoneglobal.com](http://www.binatoneglobal.com)

**Note:** *Calls cost 7p per minute plus your telephone company's access charge.*



## Technical Specifications

Product dimension	7.1*6.2*3.1cm
Weight	53g
Display screen	2.4" LCD TFT screen
Lens view angle	120 degree
Option language	English only
Video file format	AVI
Image file format	JPEG
Extensible memory	Micro SD card slot
Capacity	Max. 32 GB class10 (Not included)
Microphone	Built-in
Cigarette charger	5V 1.5A
Battery	Built in rechargeable lithium battery
Supporting system	Windows 2000/XP/Vista/Window 7/ etc.

BINATONE TELECOM PLC  
1 Apsley Way London NW2 7HF, United Kingdom.  
Tel: +44(0) 20 8955 2700 Fax: +44(0) 20 8344 8877  
e-mail: binatoneuk@binatonetelecom.co.uk



## EC Declaration of Conformity

We the manufacturer / Importer : Binatone Telecom Plc  
1 Apsley Way London  
NW2 7HF, United Kingdom.

Declare under our sole responsibility that the following product

Type of equipment: Dash camera  
Model Name: DC200/CC200/DashCamera200 series

Country of Origin: China  
Brand: Binatone

complies with the essential protection requirements of Article 3.1 (b) of R&TTE Directive 1999/5/EC and the following standards:

EMC: EN55022:2010/AC:2011  
EN55024:2010  
EN61000-3-2:2006+A1:2009+A2:2009  
EN61000-3-3:2013---AOC  
Electrical Safety: EN 60950-1:2006 +A11:2009 +A1:2010+A12:2011+A2:2013---AOC

The product is labelled with the European Approval Marking CE as show. Any Unauthorized modification of the product voids this Declaration.



Manufacturer / Importer  
(signature of authorized person)

A handwritten signature in black ink that reads "Henry".



Henry Leung, Product Manager

London,

Signature:

Place & Date: 04 May, 2016