

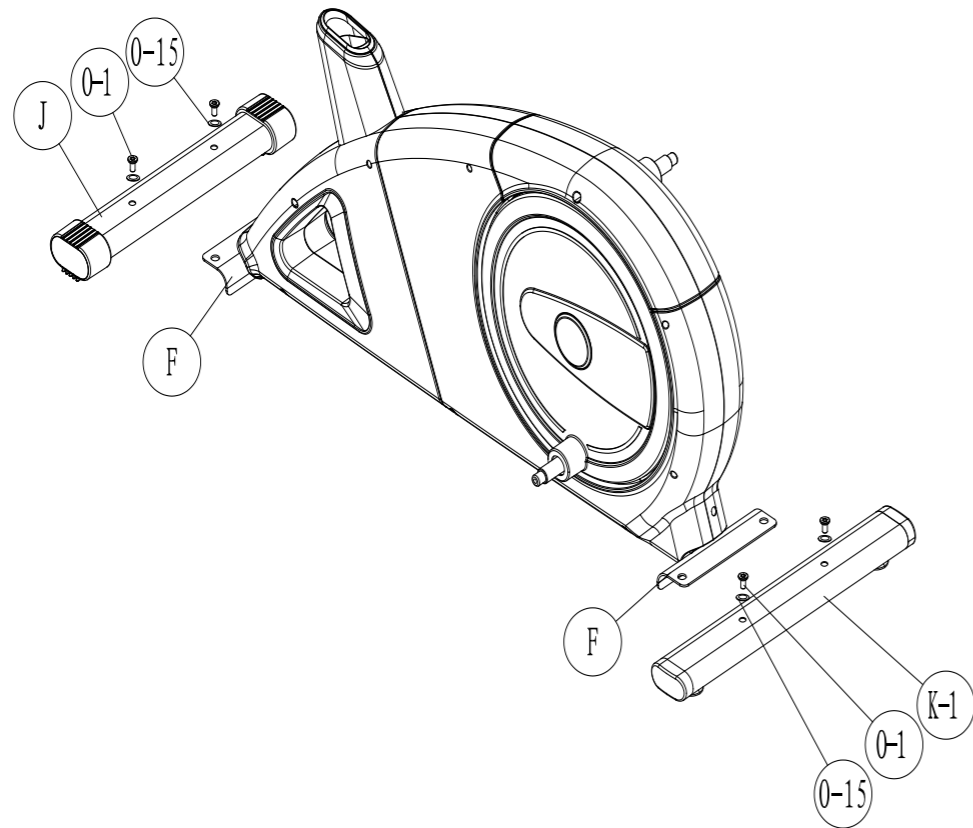


**GX40s ELLIPTICAL  
ASSEMBLY GUIDE**

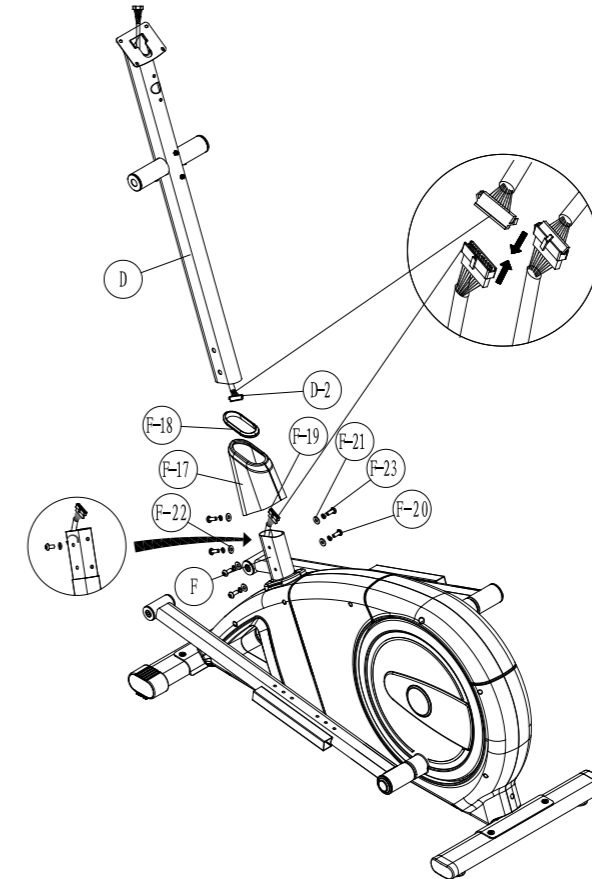
**Reebok  
ONE SERIES**



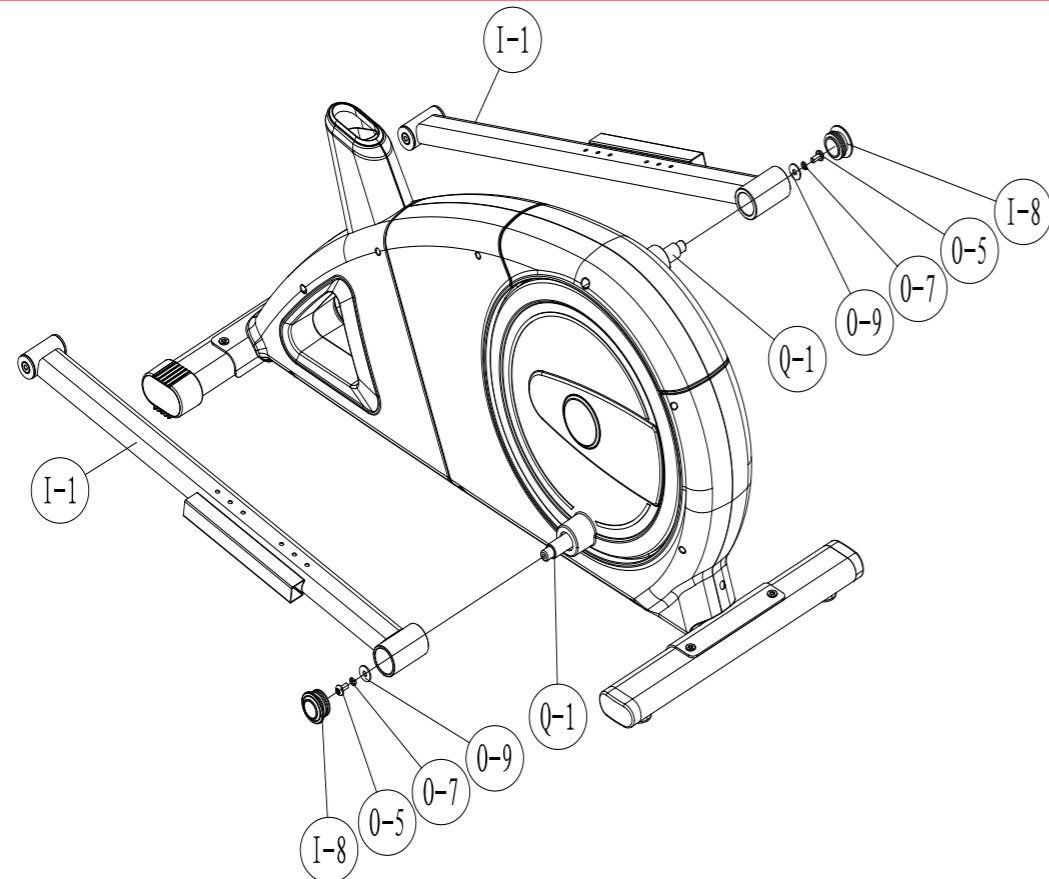
1



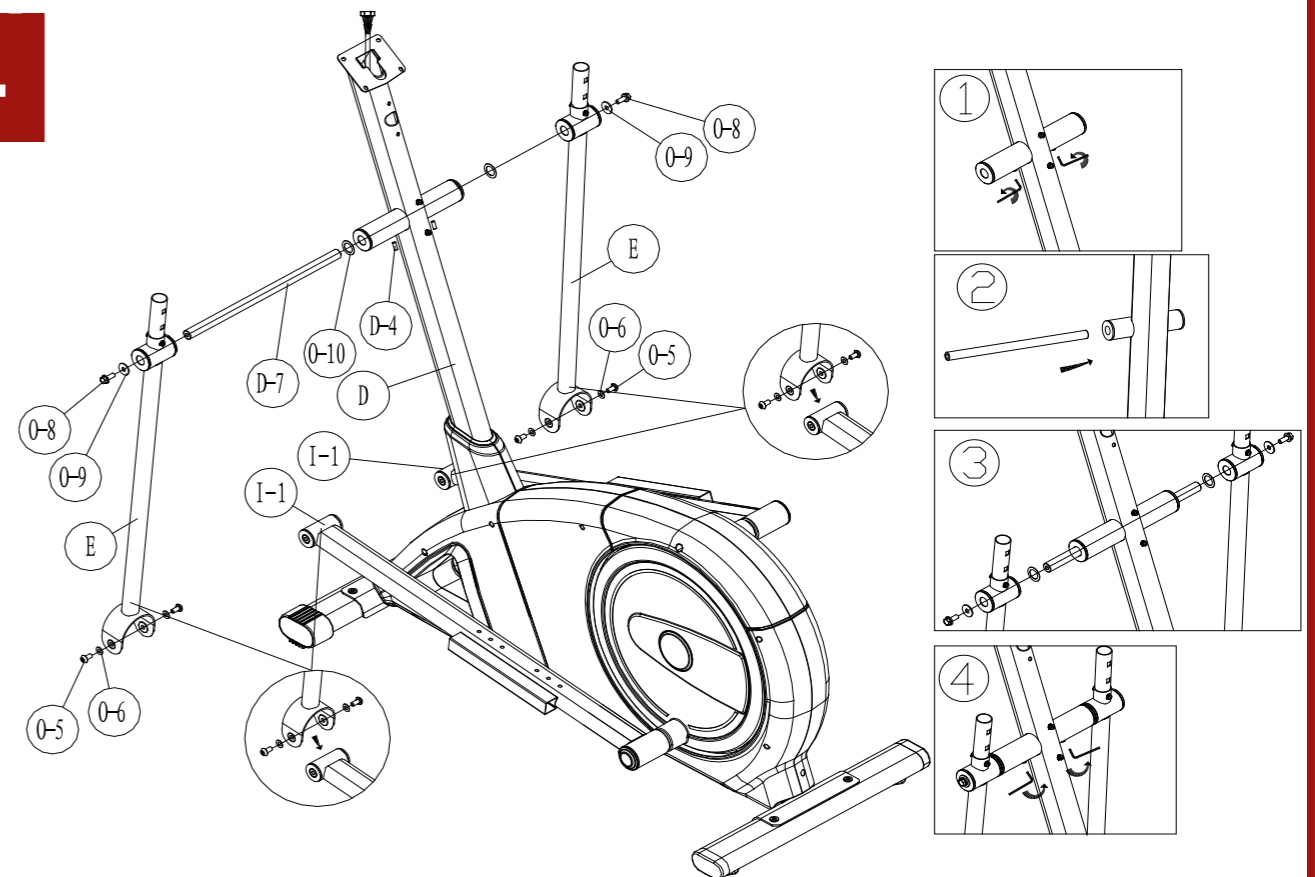
3



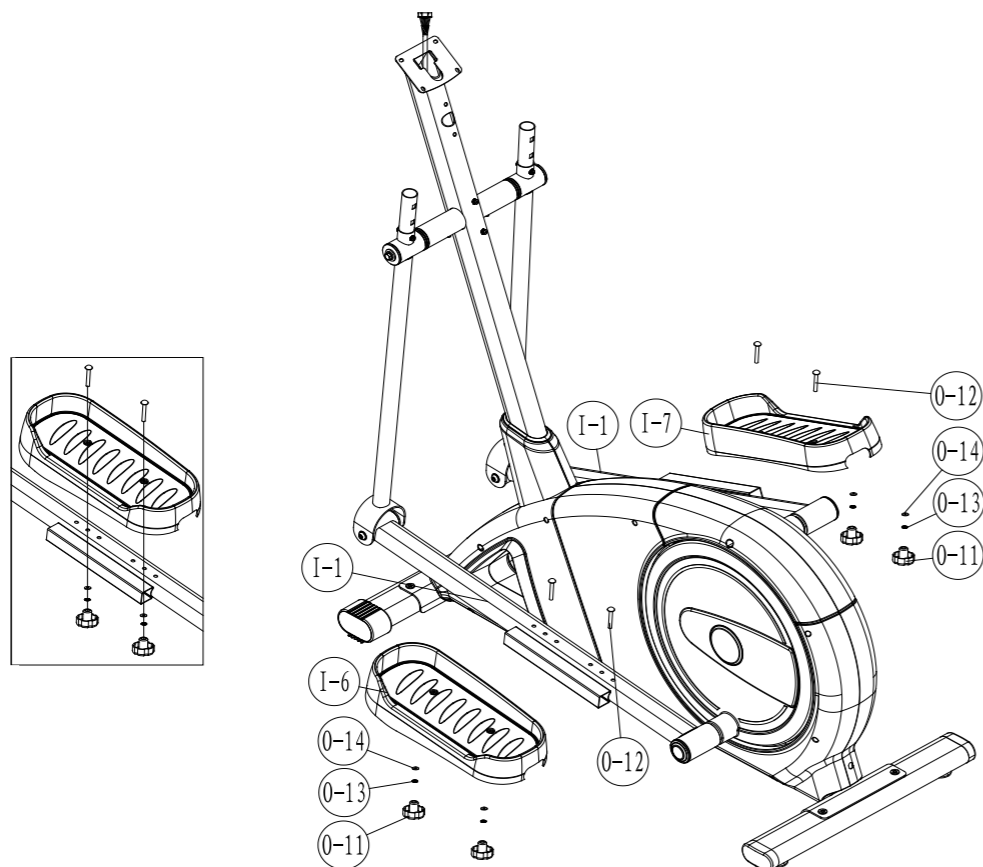
2



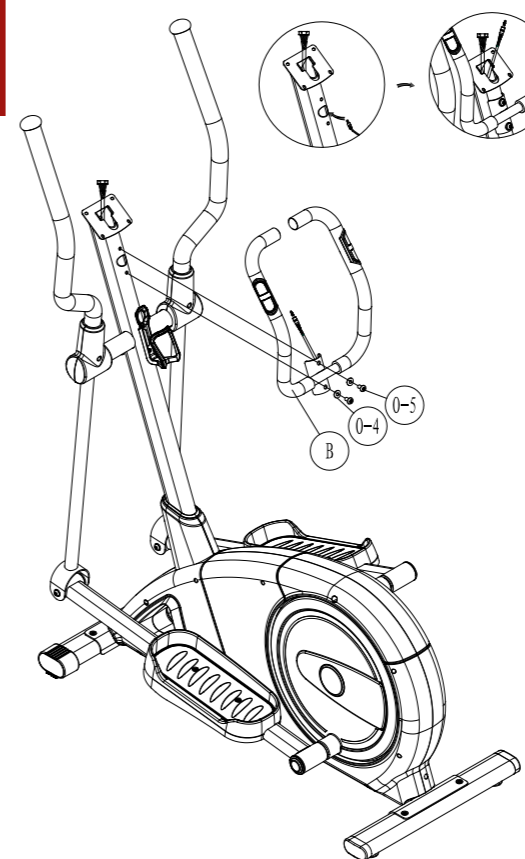
4



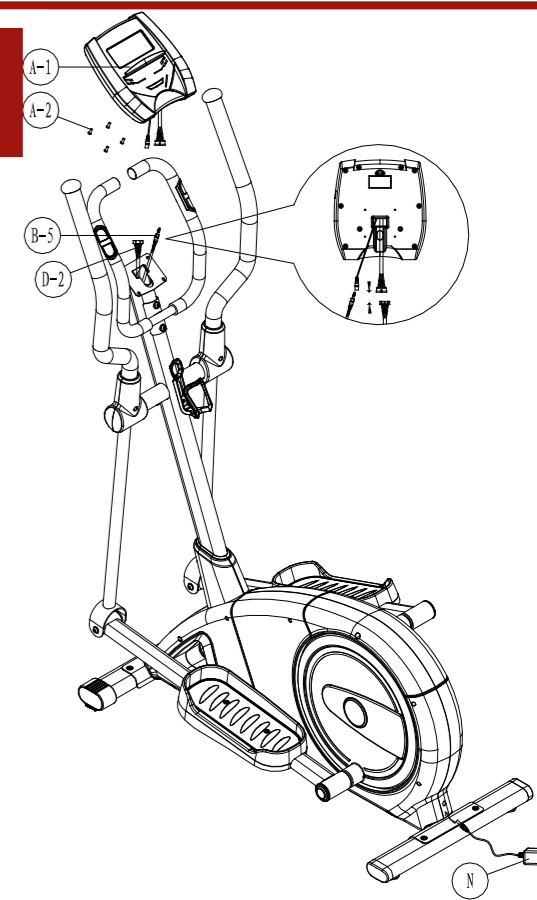
5



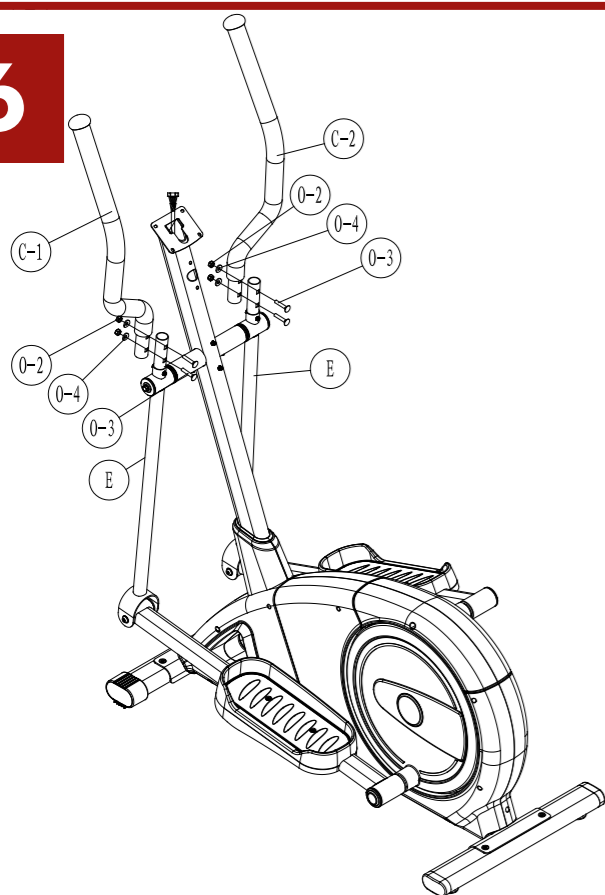
8



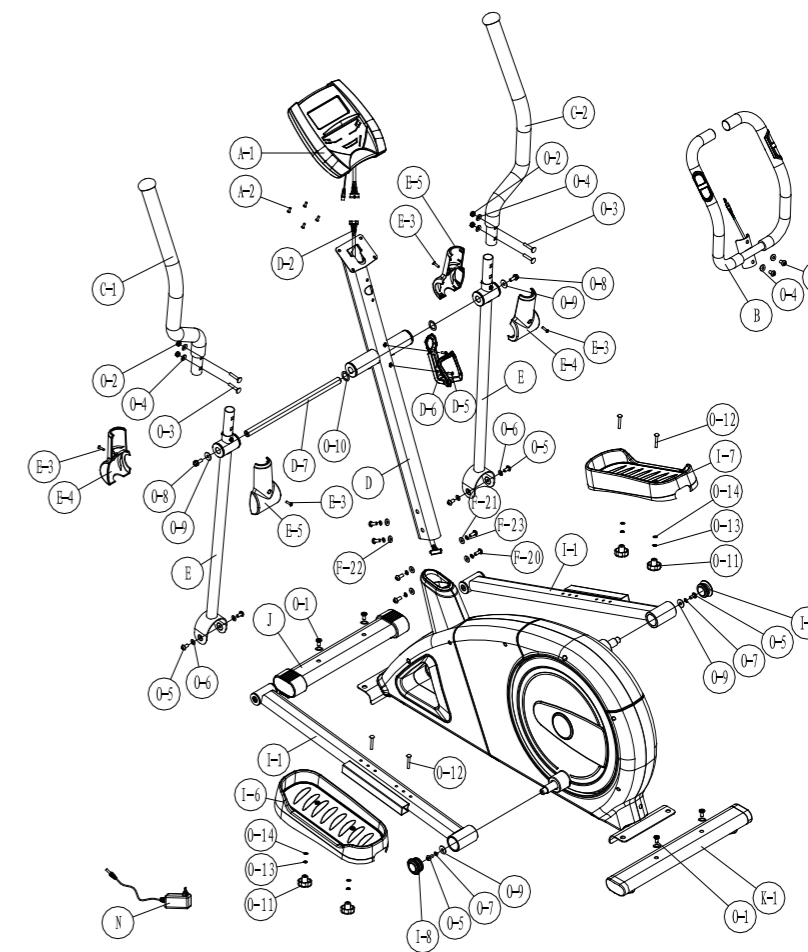
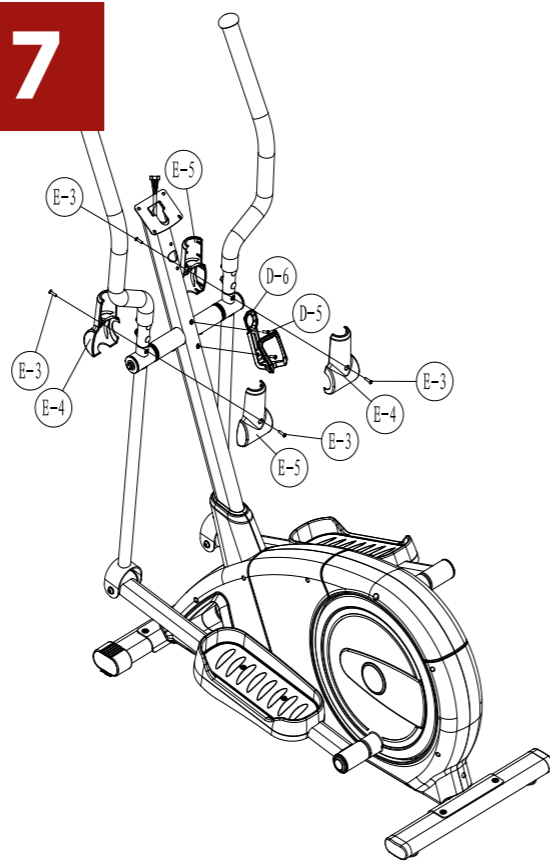
9

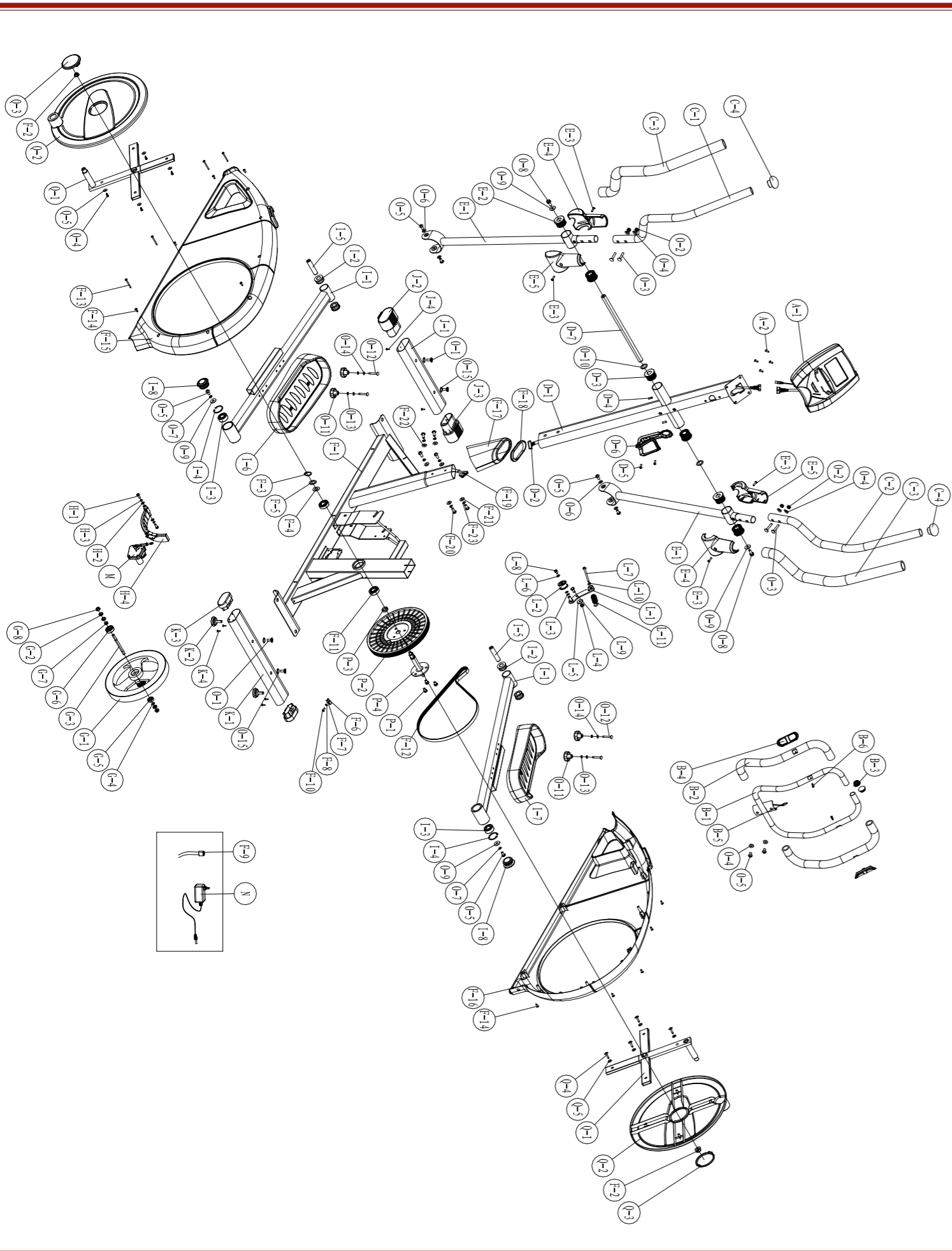


6



7





ITEM	DESCRIPTION	Unit	ITEM	DESCRIPTION	Unit
A-1	GX40s Console SM2705-67	1	H-2	Flat washer	2
A-2	Screw M5*10	4	H-3	Spring washer	2
B	Front handlebar set	1	H-4	Magent	1
B-1	Front handlebar	1	I	Pedal tube set	1
B-2	Foam grip	2	I-1	Pedal tube	2
B-3	End cap	2	I-2	Bushing	4
B-4	Hand pulse set	2	I-3	Bearing	2
B-5	Hand pulse wire	1	I-4	Washer	2
B-6	Screw M4*20L	2	I-5	Fixed axle of lower handlebar	2
B-7	Semi washer	2	I-6	Left pedal	1
C	Upper handlebar set	1	I-7	Right pedal	1
C-1	Upper handlebar left	1	I-8	End cap of pedal tube	2
C-2	Upper handlebar right	1	J	Front stabilizer set	1
C-3	Foam grip	2	J-1	Front stabilizer	1
C-4	End cap	2	J-2	Pad	1
D	Handlebar post set	1	J-3	Pad	1
D-1	Handlebar post	1	J-4	Screw 3/16'	2
D-2	Wire	1	K	Rear stabilizer set	1
D-3	Bushing of handlebar axle	2	K-1	Rear stabilizer	1
D-4	Screw M6	2	K-2	Small pad	2
D-5	Screw M5	2	K-3	End cap	2
D-6	Water bottle cage	1	K-4	Screw 3/16'	4
D-7	Shaft of handlebar	1	L	Idler set	1
E	Lower handlebar set	2	L-1	Idler	1
E-1	Lower handlebar	1	L-2	Idler wheel	1
E-2	Bushing of handlebar axle	2	L-3	Wave washer	2
E-3	Screw M5	2	L-4	Nut M8	1
E-4	Front cover of upper handlebar	2	L-5	Flat washer	1
E-5	Rear cover of upper handlebar	2	L-8	Hex screw M6	1
F-2	Nut M10	2	L-9	Hex screw M8	1
F-3	C- clip	1	L-10	Flat washer	2
F-4	Wave washer	1	L-11	Spring	1
F-5	Flat washer	1	M	Servo motor set	1
F-6	Sensor wire	1	N	Switching power adapter	1
F-7	Sensor fixed bracket	1	O	Screw set	1
F-8	Flat washer	1	O-1	Screw M8	4
F-9	DC wire	1	O-2	Nut M8	4
F-10	Screw M4	1	O-3	Carriage screw M8	4
F-11	Bearing 6004RS	2	O-4	Semi-washer	6
F-12	Belt	1	O-5	Screw M8	8
F-13	Screw M4	40	O-6	Flat washer	4
F-14	Screw M5	1	O-7	Spring washer	2
F-15	Left chain cover (Upper)	1	O-8	Nylon M8	2
F-16	Right chain cover (Lower)	1	O-9	Flat washer	4
F-17	Cover of handlebar post	1	O-10	Flat washer	2
F-18	Ring of handlebar post	1	O-11	Knob of pedal	4
F-19	Motor wire	1	O-12	Carriage screw M6	4
F-20	Screw M8	6	O-13	Spring washer	4
F-21	Flat washer	4	O-14	Flat washer	4
F-22	Semi-washer	2	O-15	Flat washer	4
F-23	Spring washer	6	P	Axle set	1
G	Flywheel set	1	P-1	Hex screw M8	3
G-1	Flywheel	1	P-2	Pulley	1
G-2	Nut 3/8'	3	P-3	Bushing	1
G-3	Flywheel axle	1	P-4	Axle	1
G-4	Flat washer	1	Q	Disc set	1
G-5	Bearing 6000RS	1	Q-1	Disc crank	2
G-6	Bearing 6300RS	1	Q-2	Disc	2
G-7	Bushing of flywheel	1	Q-3	Disc cap	2
G-8	Nut 3/8'	2	Q-4	Screw M4	8
H	Magnet set	1	Q-5	Flat washer	8
H-1	Screw M6	2			