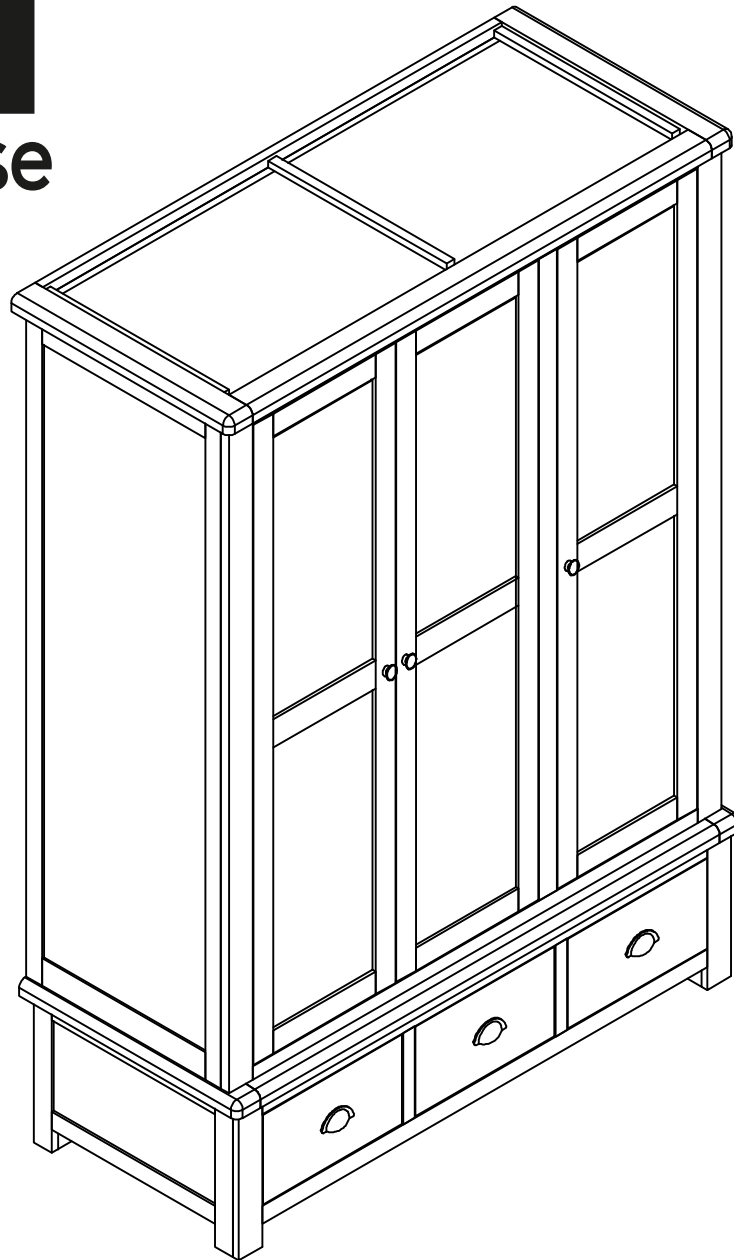


kent 3 door 3 drawer wardrobe

Assembly Instructions - Please keep for future reference

552/9713



Dimensions

Width - 128 cm
Depth - 55 cm
Height - 185 cm

Important - Please read these instructions fully before starting assembly

If you need help or have damaged or missing parts, call the **Customer Helpline:**
Argos = 0345 6400800

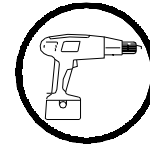


Safety and Care Advice

Important - Please read these instructions fully before starting assembly

- Check you have all the components and tools listed on the following pages.
- Remove all fittings from the plastic bags and separate them into their groups.
- Keep children and animals away from the work area, small parts could choke if swallowed.
- Make sure you have enough space to layout the parts before starting.

- During assembly do not stand or put weight on the product, this could cause damage.
- Assemble the item as close to its final position (in the same room) as possible.
- Assemble on a soft level surface to avoid damaging the unit or your floor.
- Parts of the assembly will be easier with 2 people.



- To reduce the likelihood of damaging your product please ensure that your power drill is set on a low torque setting.

Care and maintenance

- Only clean using a damp cloth and mild detergent, do not use bleach or abrasive cleaners.
- From time to time check that there are no loose screws on this unit.
- This product should not be discarded with household waste. Take to your local authority waste disposal centre.

Handy Hints

- Assemble all parts and bolts loosely during assembly, only once the product is complete should you fully tighten the bolts.
- Regularly check and ensure that all bolts and fittings are tightened properly.

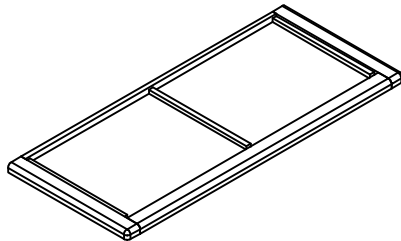
Note: if required the next page can be cut out and used as reference throughout the assembly. Keep this page with these instructions for future reference.

Components - Panels

If you have damaged or missing components, call the
Customer Helpline: Argos = 0345 6400800

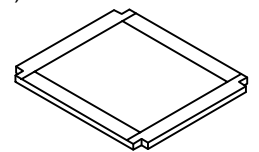
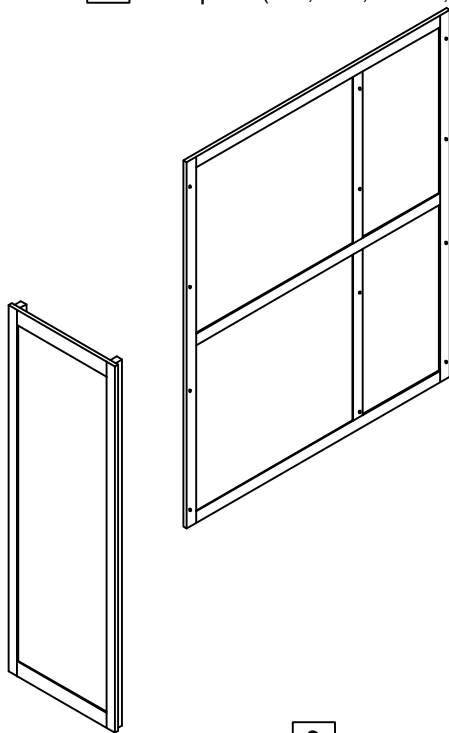
Please check you have all the panels listed below

5 Top panel (128 x 5,5 x 3,3 cm)

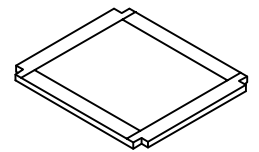


2 Side panel (53,2 x 4,5 x 146,4 cm)

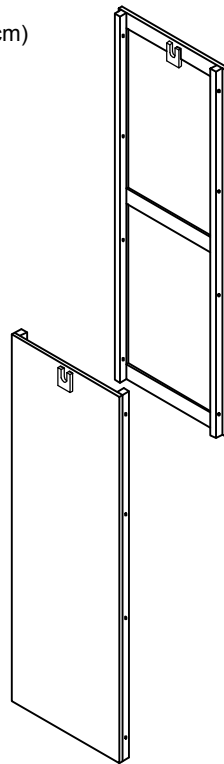
4 Back panel (121,4 x 1,5 x 146,4 cm)



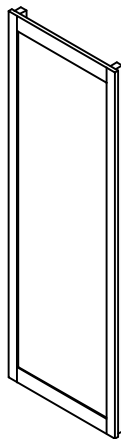
8 Shelf (43 x 49,7 x 2 cm)



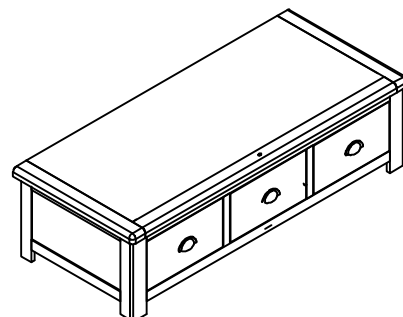
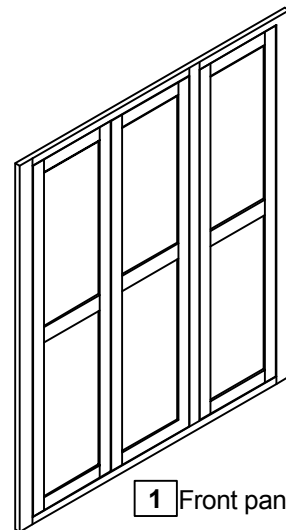
3 Middle panel (49,7 x 4,5 x 146,4 cm)



2 Side panel (53,2 x 4,5 x 146,4 cm)



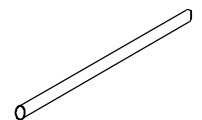
1 Front panel (83,9 x 2 x 146,4 cm)



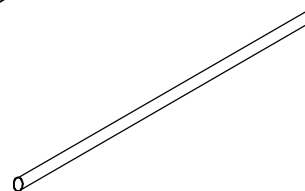
9 The base (128 x 55 x 35,3 cm)

Short clothes rod (76,9 x 3 x 3 cm)

7



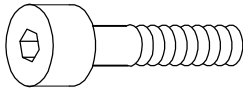

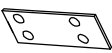

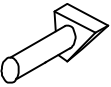

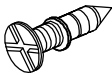

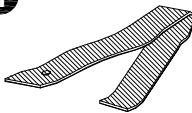

6 Long clothes rod (76,9 x 3 x 3 cm)



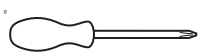
Components - Fittings

Please check you have all the fittings listed below

Note: The quantities below are the correct amount to complete the assembly. In some cases more fittings may be supplied than are required.

<p>A</p>  <p>Bolts 30mm x 31</p>	<p>B</p>  <p>Allen Key x 1</p>	<p>C</p>  <p>Bracket x 6</p>	<p>D</p>  <p>15 mm Screw x 24</p>	<p>E</p>  <p>Shelf Pin x 8</p>
<p>F</p>  <p>Handle x 3</p>	<p>G</p>  <p>Screw & Washer x 3</p>	<p>H</p>  <p>Ø3.5x15mm Screw x 2</p>	<p>I</p>  <p>Wall strap x 2</p>	<p>J</p>  <p>Ø12x1mm Washer x 2</p>

Tools required



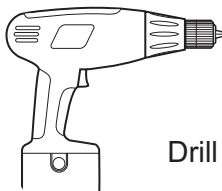
Phillips screwdriver
(medium & large)



Flatblade screwdriver
(medium)



7mm Suitable drill bit
(for use with wall plug)



Drill



Small
hammer

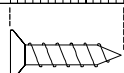
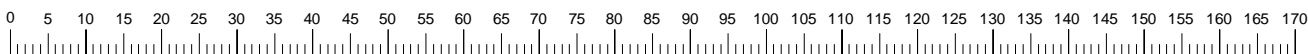


Ruler/tape
measure



Eye protection
(when using a
hammer or glue)

Ruler - Use this ruler to help correctly identify the screws

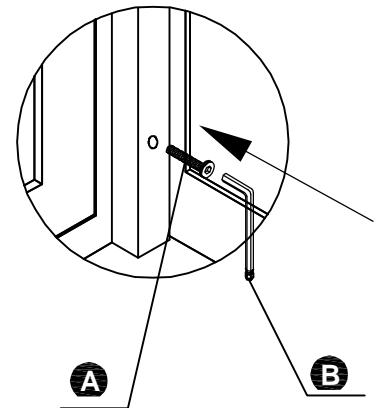
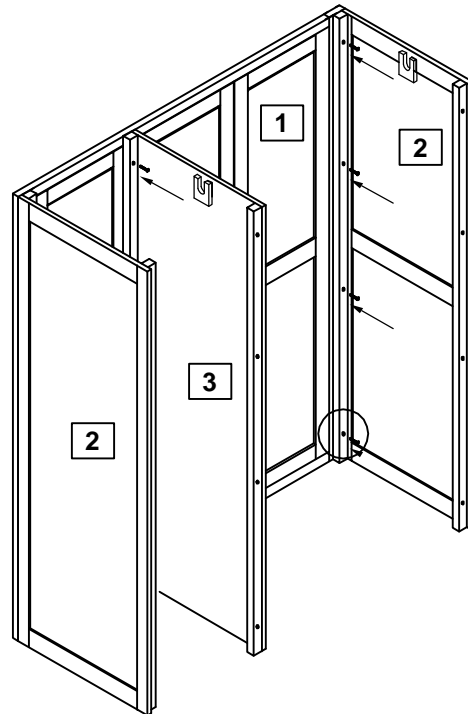


The screws length is measured from the head to the point (15 mm screw shown).

Assembly Instructions

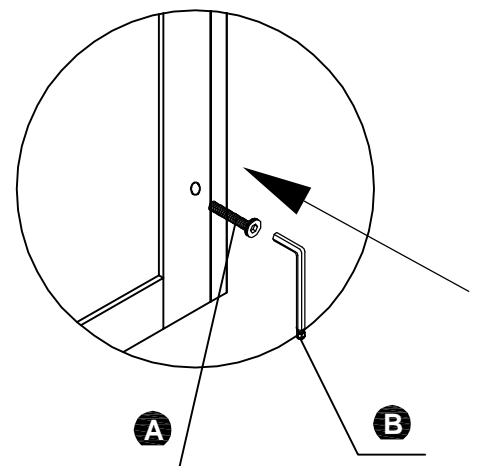
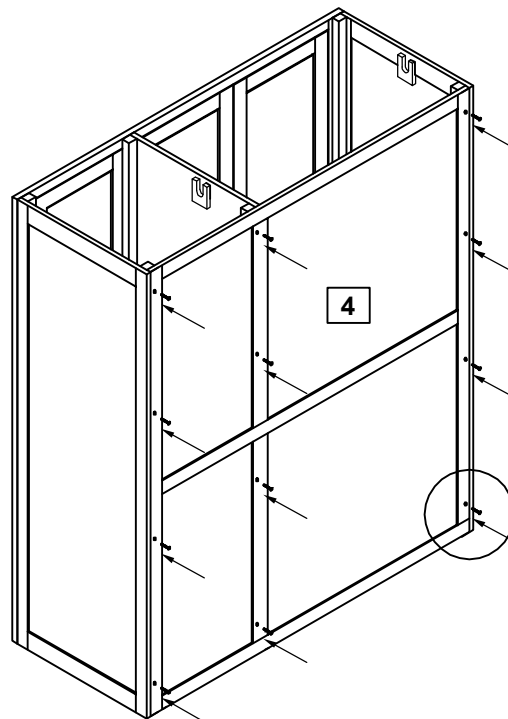
Step 1

Attach the Side panel **2**, Middle panel **3** to the Front panel **1** using 30mm bolts **A** and secure using the Allen Key **B** as detail in the diagram below.



Step 2

Attach the Back panel **4** to the Side panel **2**, middle panel **3** using 30mm bolts **A** and secure using the Allen Key **B** as detail in the diagram below.

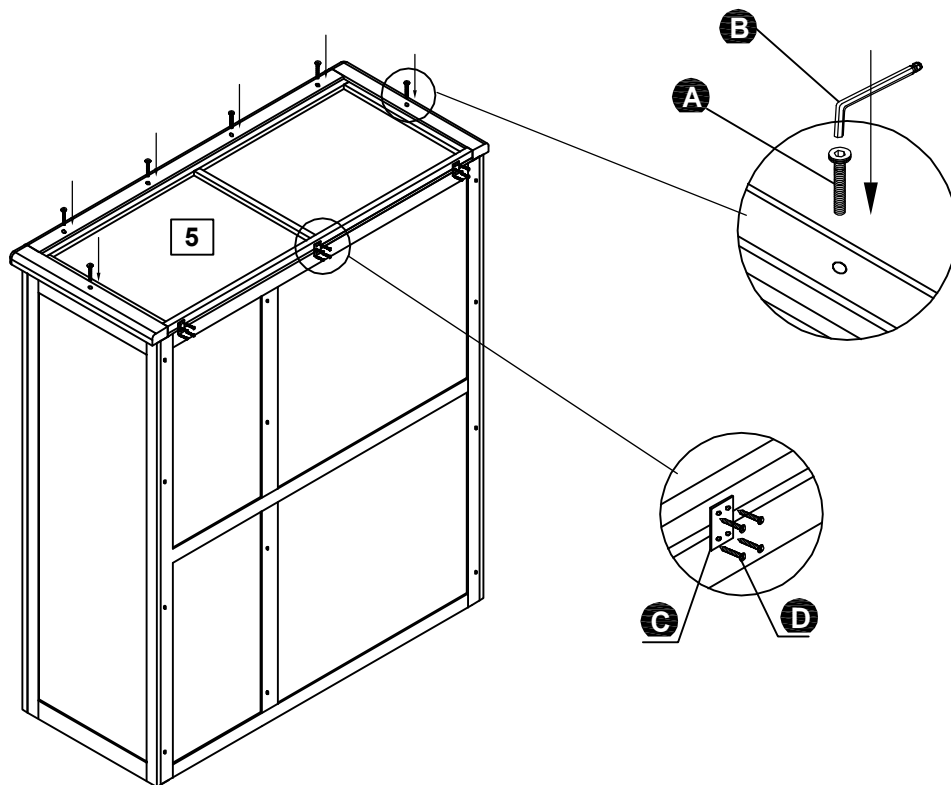


If you need help or have damaged or missing parts, call the **Customer Helpline:**
Argos = 0345 6400800

Assembly Instructions

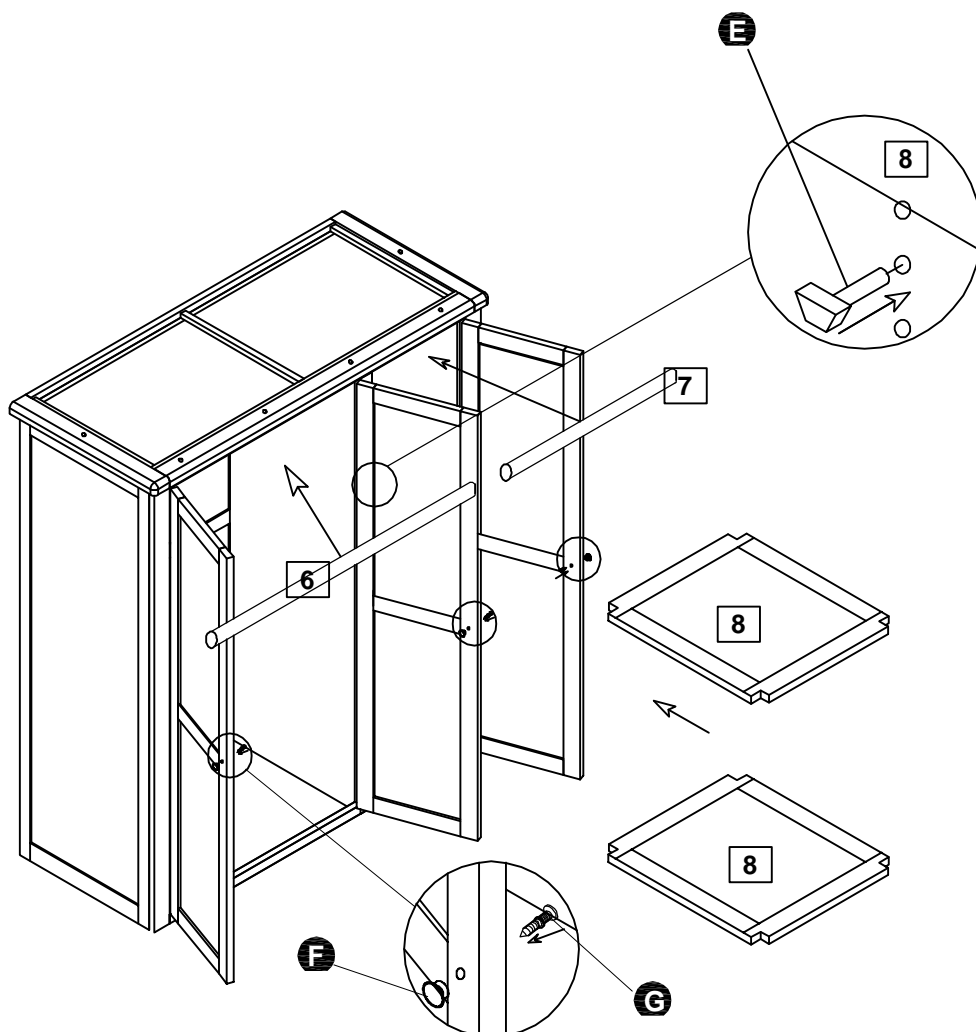
Step 3

Place the Top panel **5** using 30mm bolts **A** and secure using allen key **B**. Then using screw **D** secure bracket **C**.



Step 4

Attach handle to the door **F** using screws and washer **G**. Slide Long clothes rod **6**, short clothes rod **7** into the hanger. Then insert shelf pin **E** into the desired position and put the shelf **8**.

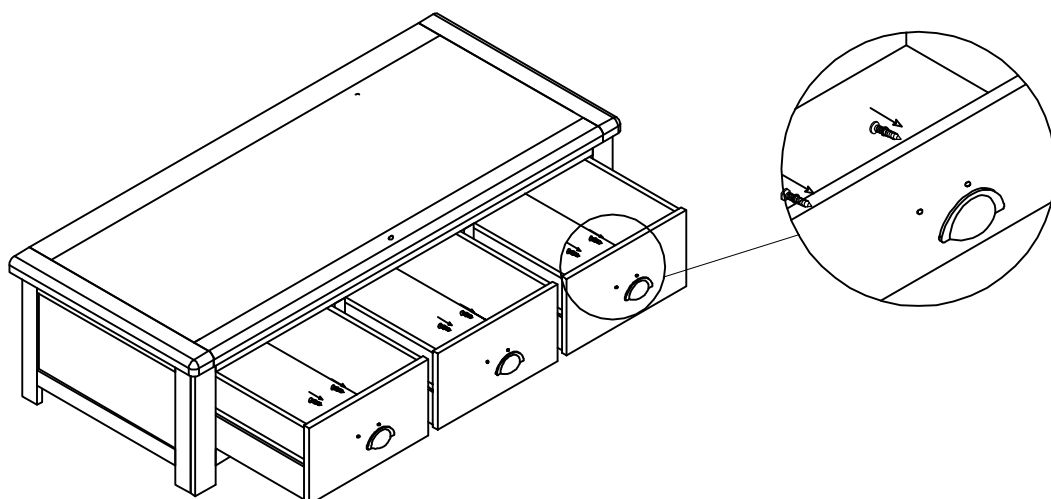
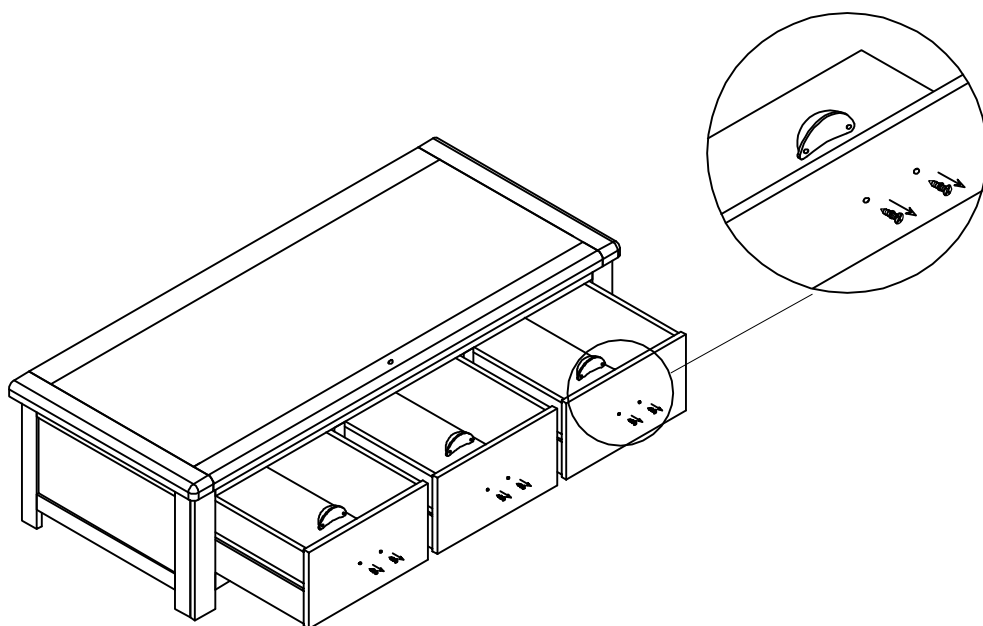


If you need help or have damaged or missing parts, call the **Customer Helpline:**
Argos = 0345 6400800

Assembly Instructions

Step 5

Drawer handles are pre-assembled reversely. Disassemble the handle and re-attach as shown in the figure.

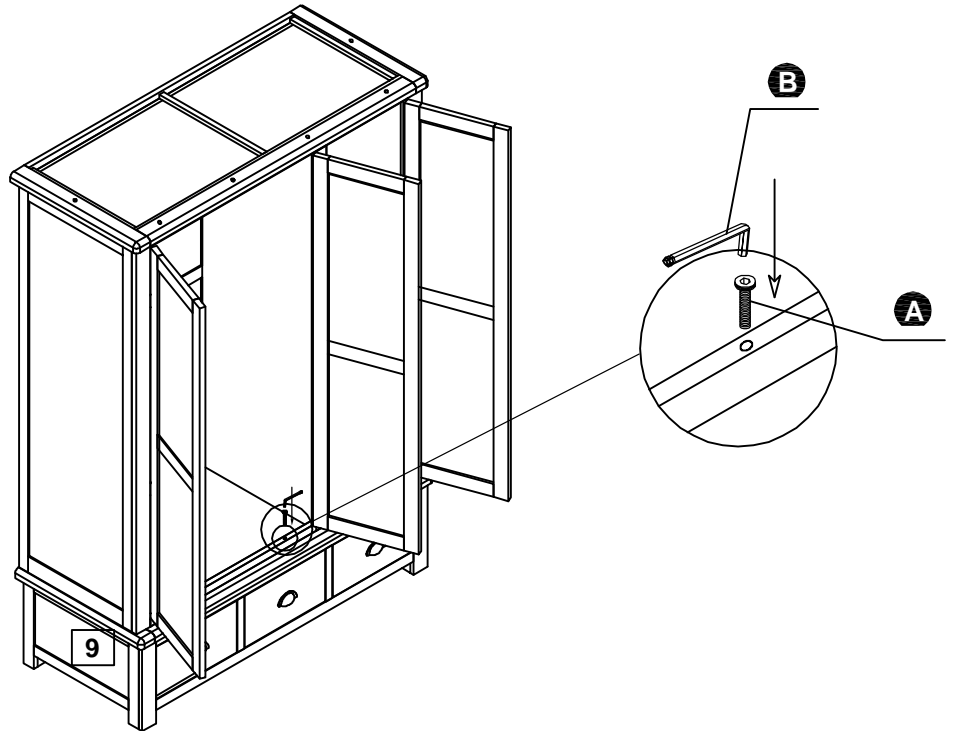


If you need help or have damaged or missing parts, call the **Customer Helpline:**
Argos = 0345 6400800

Assembly Instructions

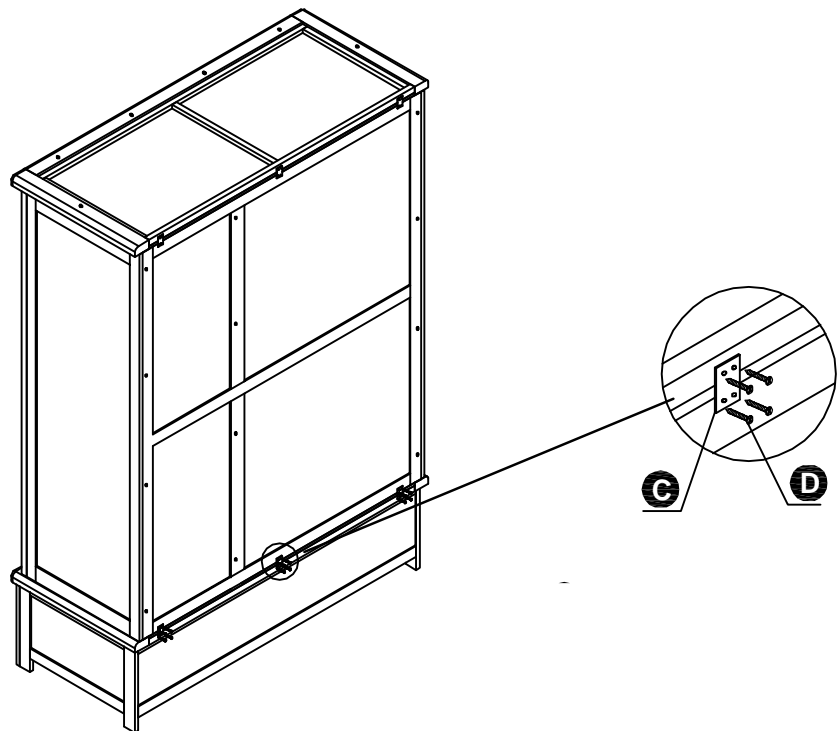
Step 6

Put the assembled frame onto The Base **9**. Then using 30mm bolt **A** and secure using allen key **B** as detail in the diagram below.



Step 7

Using screw 15mm **D** and bracket **C** to hold frame with the base **9**.



If you need help or have damaged or missing parts, call the **Customer Helpline:**
Argos = 0345 6400800

Assembly Instructions

Step 8

Fixing strap to wall.

It is recommended that the unit is fixed to a wall.

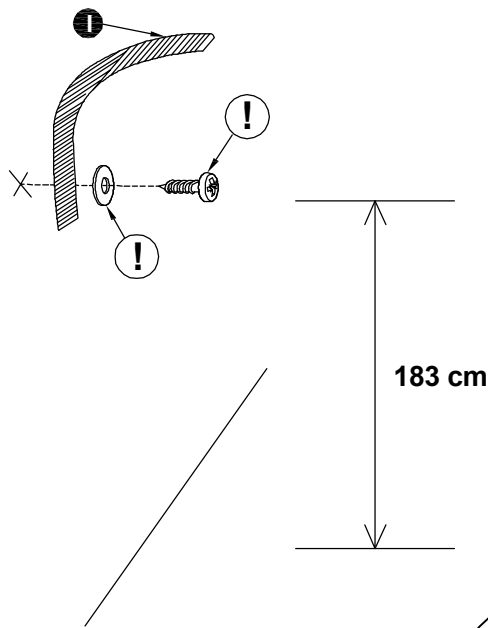
Mark fixing hole on wall.

Fasten wall strap **I** to the wall using a suitable wall screw/plug system.



Warning: Before drilling, check wall for hidden pipes and cables.

Note: The correct type of wall screws must be used for your wall. Please seek professional advice if in doubt.



183 cm

Step 9

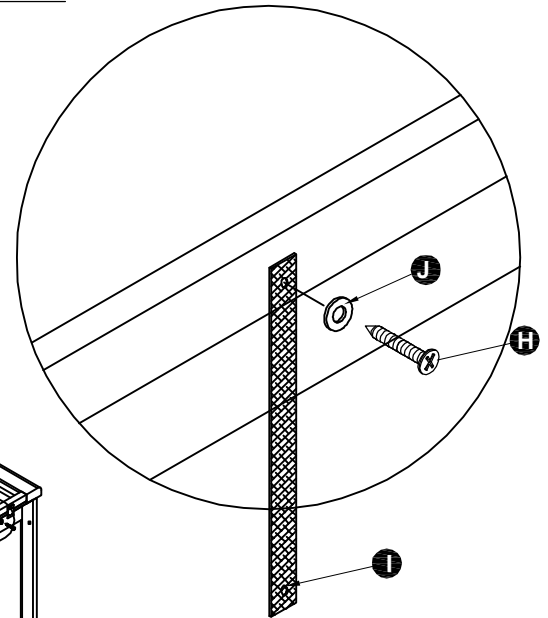
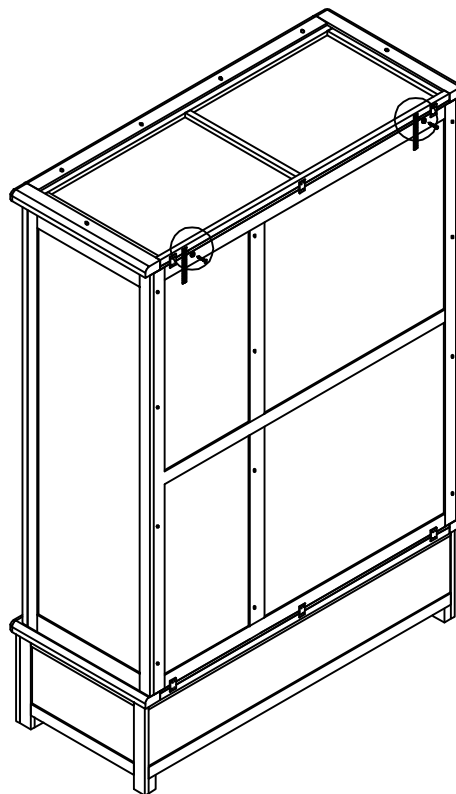
Fixing unit to wall.

With the help of another person move the unit into position.

Place the wall strap on the top of the unit.

Fasten the wall strap to the unit with screw **H** and washer **J**.

Assembly is complete.



If you need help or have damaged or missing parts, call the **Customer Helpline:**
Argos = 0345 6400800

A Guide to - Wall Mounting & Fixings

Important note:

If plastic wall plugs are supplied with your product:



- these are only suitable for use in masonry walls.

If you are in any doubt about the correct wall plugs for your wall, seek professional advice.

Failure of the product due to using incorrect fixings is the responsibility of the installer.



Important: When drilling into walls always check that there are no hidden wires or pipes etc.

Make sure that the screws and wall plugs being used are suitable for supporting your unit. Consult a qualified tradesperson if you are unsure.

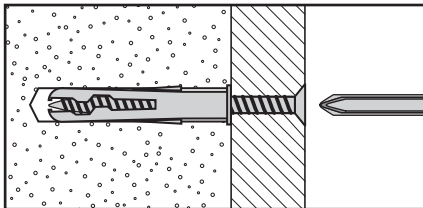
Hints:

- 1: General rule:** ⚠ Always use a larger screw and wall plug if you are not sure.
- 2: Ensure you use the recommended drill bit to match the wall plug and hole size.
- 3: Ensure you drill the hole horizontally, do not force the drill or enlarge the hole.
- 4: Take extra care when drilling high walls, ceilings and ceramic tiles. Ensure wall plugs are inserted beyond the thickness of the ceramic tiles to avoid the tiles splitting or cracking.
- 5: Ensure wall plugs are well fitted and are a tight fit in the drilled hole.

Types of walls

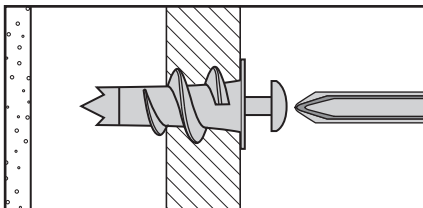
You can use one of the following types of wall plug if your walls are made of brick, breeze block, concrete, stone or wood.

No.1 "General Purpose" wall plug



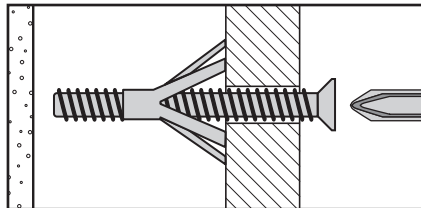
Generally aerated blocks should not be used to support heavy loads, use a specialist fitting in this case. For light loads, general purpose wall plugs can be used.

No.2 "Plasterboard" wall plug



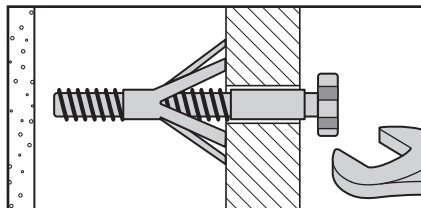
For use when attaching light loads on to plasterboard partitions.

No.3 "Cavity Fixing" wall plug



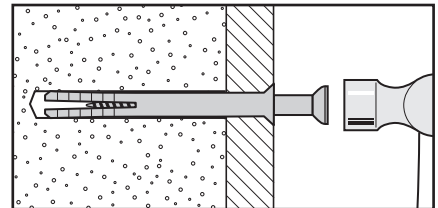
For use with plasterboard partitions or hollow wooden doors.

No.4 "Cavity Fixing-Heavy Duty" wall plug



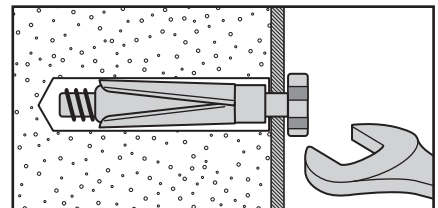
For use when fitting or supporting heavy loads such as shelving, wall cabinets and coat racks.

No.5 "Hammer Fixing" wall plug



For use with walls stuck with plasterboard. The hammer fixing allows it to be fixed to the wall rather than the plasterboard. Always check the fixing is secure to the retaining wall.

No.6 "Shield Anchor" wall plug Heavy loads



For use with heavier loads such as TV & HiFi speakers and satellite dishes etc.



Care & Maintenance

Safety: Always check the fitting and location to ensure your safety in and around the home.

Fitting: From time to time check the fitting to ensure the wall plugs or screws do not become loose.