



HOOVER

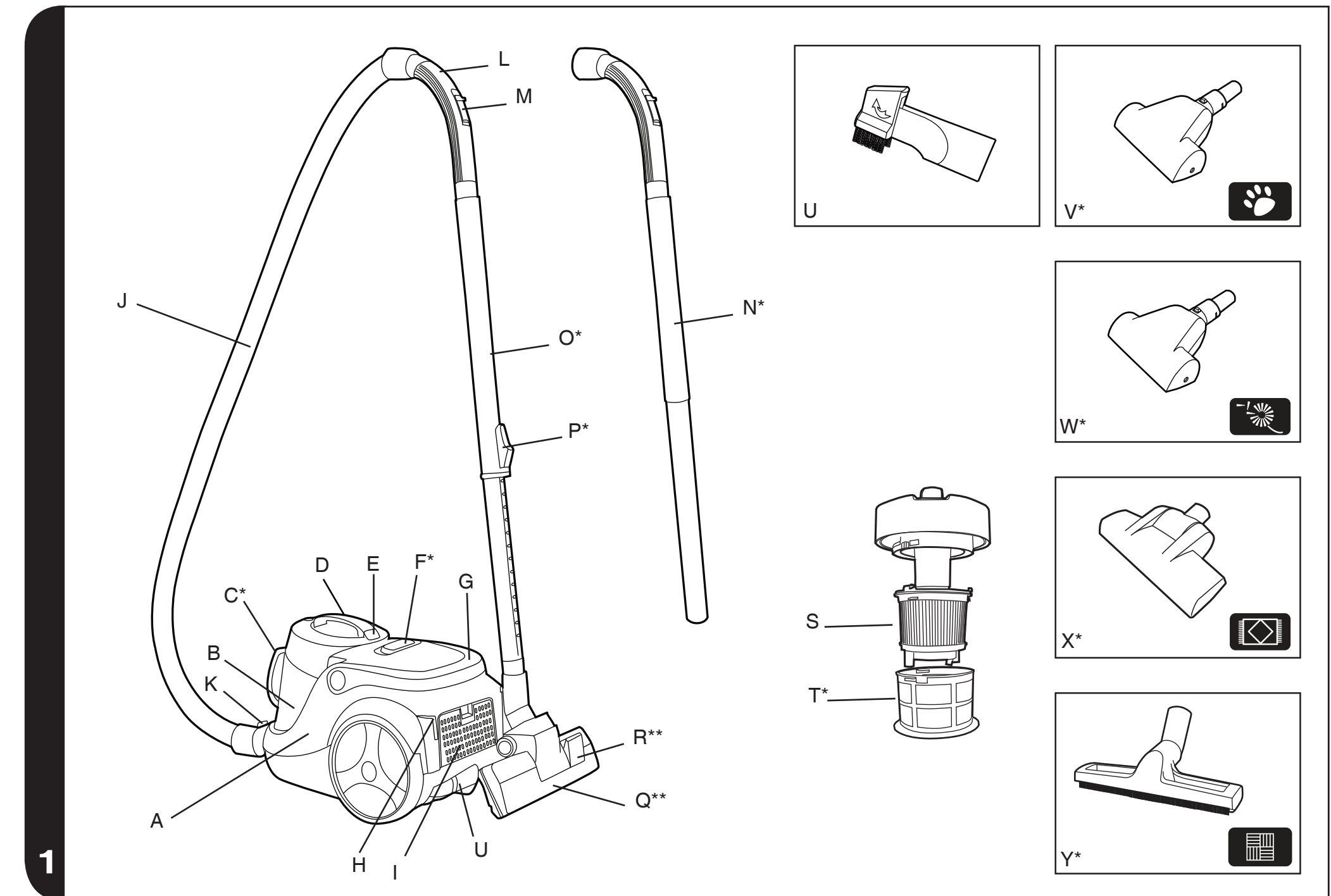
SMART

INSTRUCTION MANUAL

ENGLISH GB

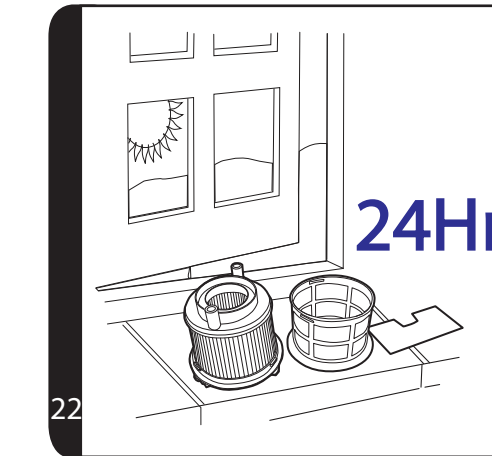
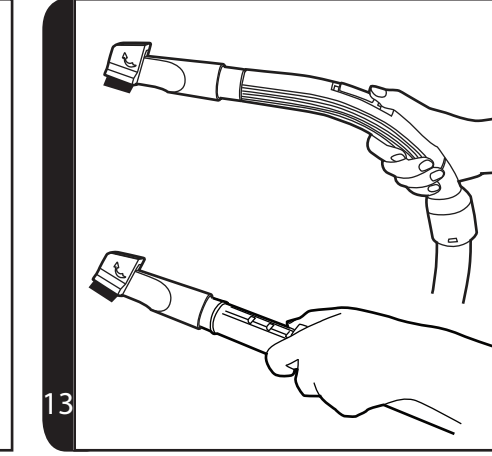
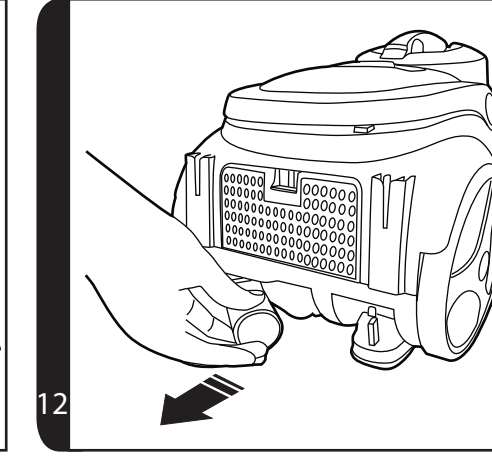
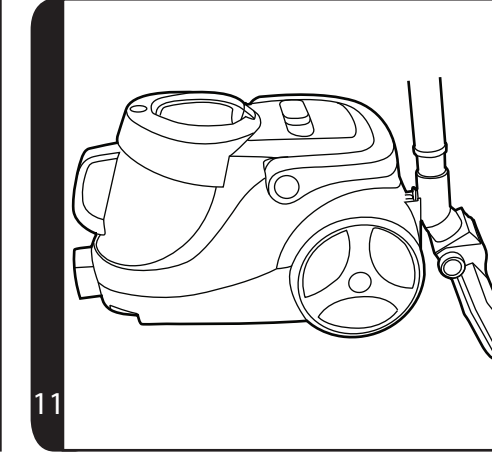
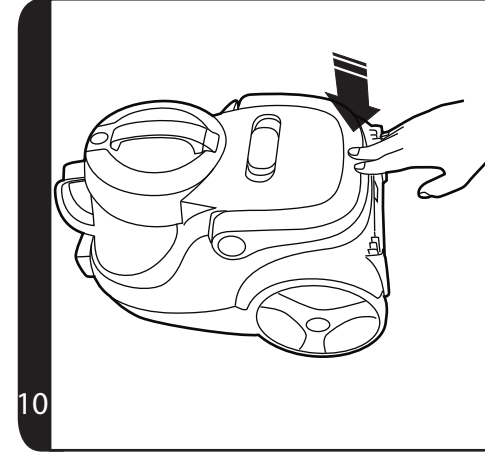
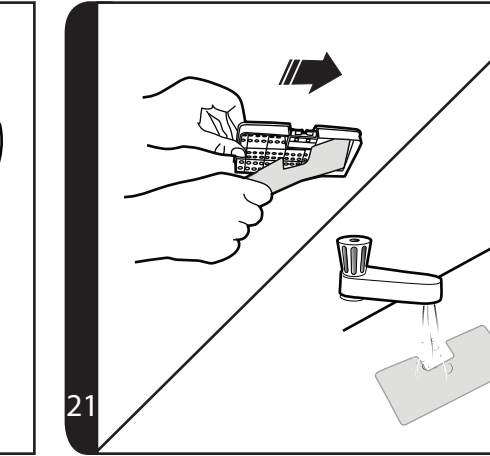
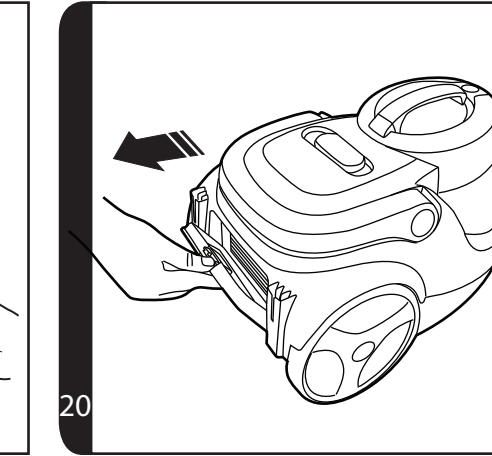
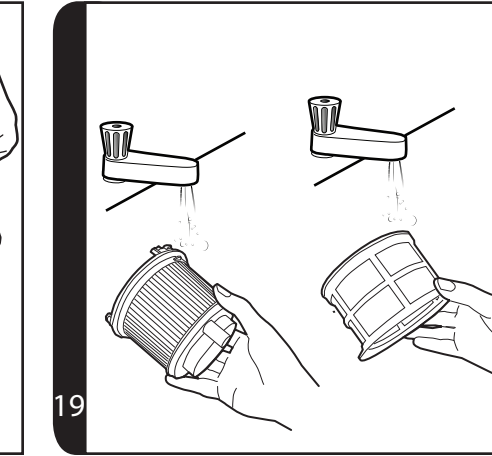
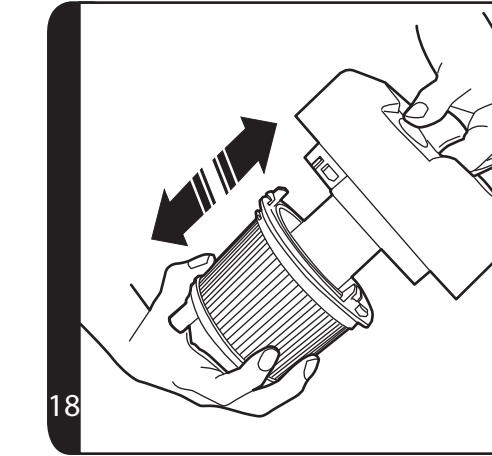
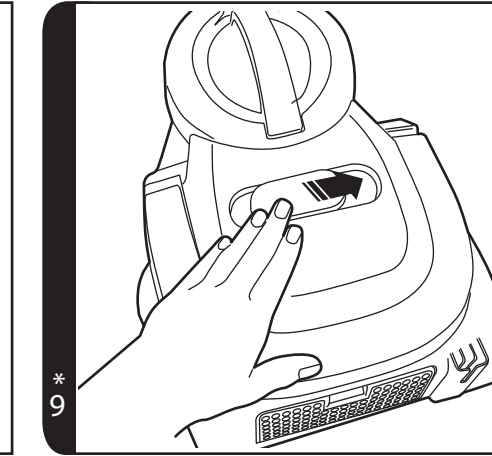
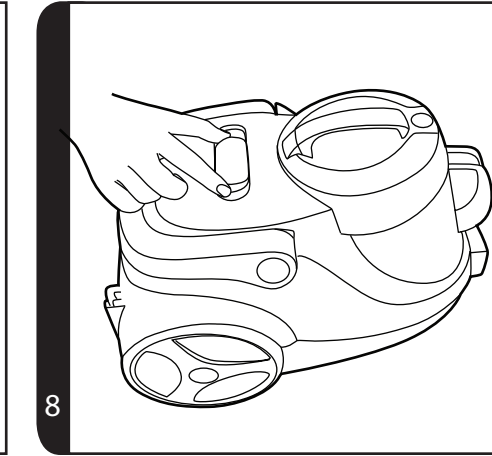
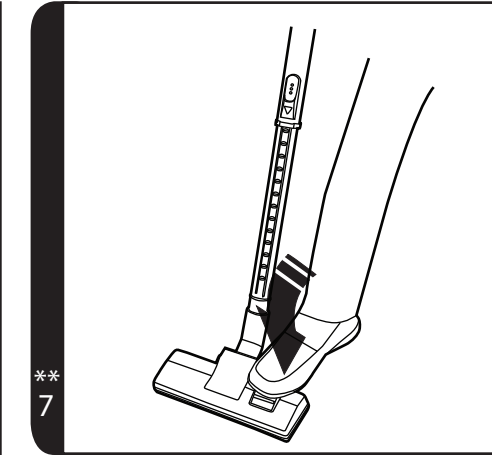
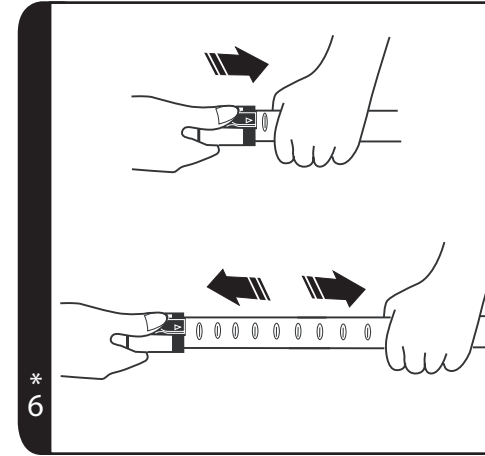
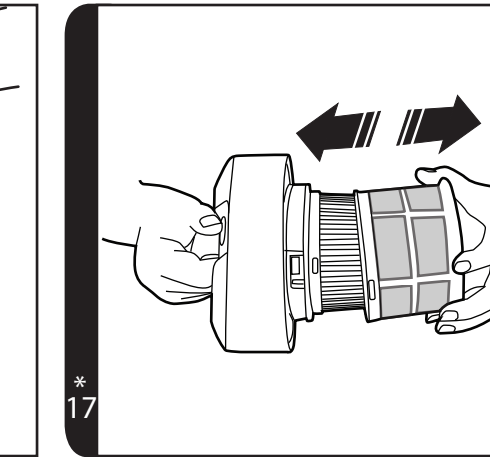
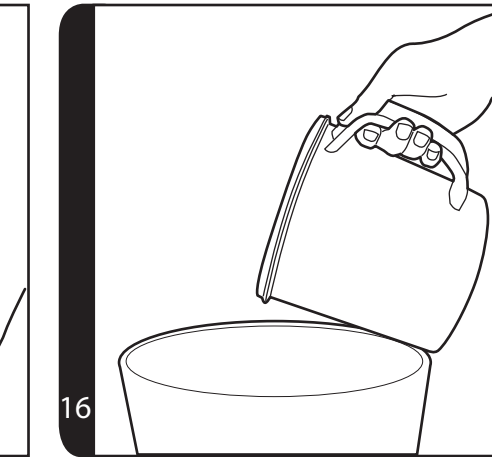
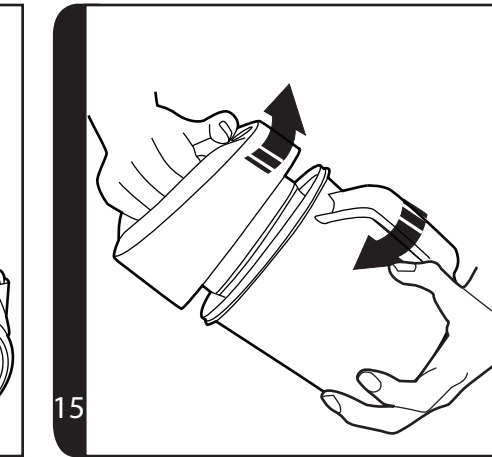
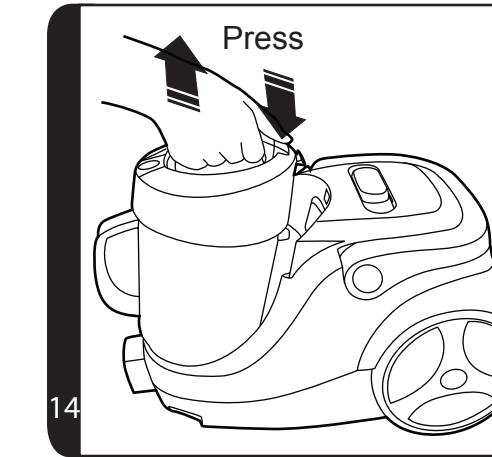
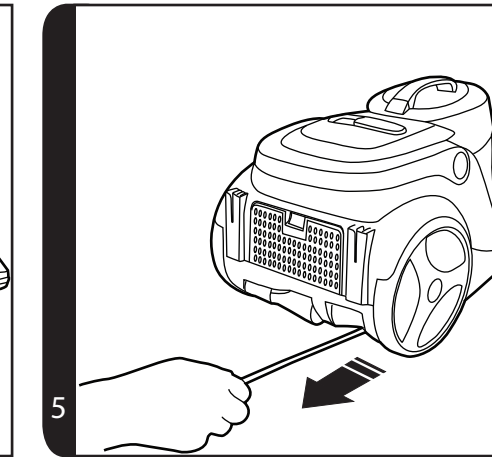
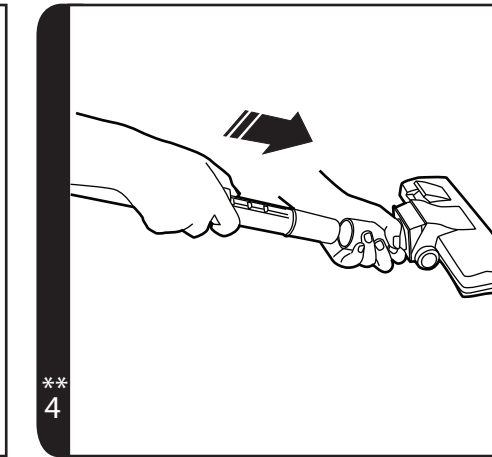
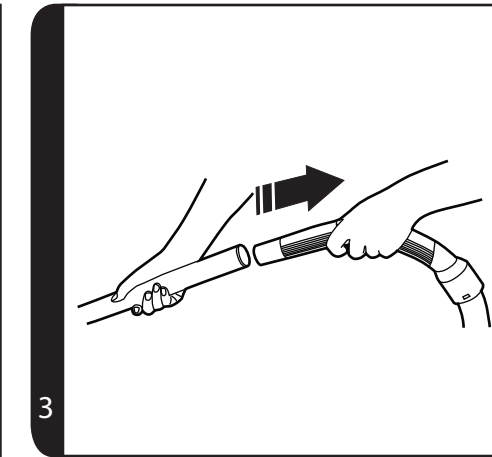
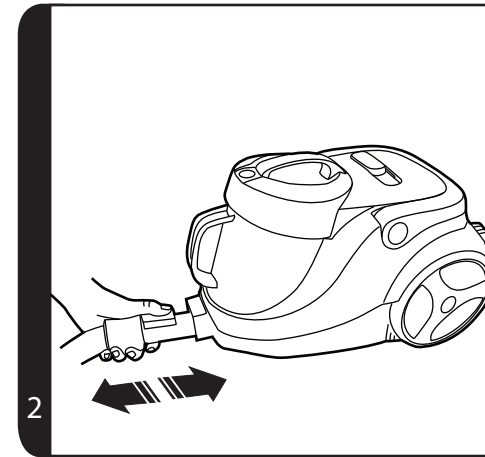


PRINTED IN P.R.C.
48004233/01



(* Certain models only)

(** May vary according to model)



* Certain models only

** May vary according to model

IMPORTANT SAFETY REMINDERS

This cleaner should only be used for domestic cleaning, as described in this user guide. Please ensure that this guide is fully understood before operating the appliance. Use only attachments recommended or supplied by Hoover.

WARNING: Electricity can be extremely dangerous. This appliance is double insulated and must not be earthed. This plug is fitted with a 13 amp fuse (UK only).

IMPORTANT: The wires in the mains power lead are coloured in accordance with the following code: **Blue – Neutral Brown – Live**

STATIC ELECTRICITY: Some carpets can cause a small build up of static electricity. Any static discharge is not hazardous to health.

AFTER USE: Switch the cleaner off and remove the plug from the electricity supply. Always switch off and remove the plug before cleaning the appliance or attempting any maintenance task.

HOOVER SERVICE: To ensure the continued safe and efficient operation of this appliance we recommend that any servicing or repairs are only carried out by an authorised Hoover service engineer.

This appliance can be used by children aged from 8 years and above and persons with reduced physical, sensory or mental capabilities or lack of experience and knowledge if they have been given supervision or instruction concerning use of the appliance in a safe way and understand the hazards involved. Children shall not play with the appliance. Cleaning and user maintenance shall not be made by children without supervision.

IT IS IMPORTANT THAT YOU DO NOT:

- Position the cleaner above you when cleaning the stairs.
- Use your cleaner out of doors or on any wet surface or for wet pick up.
- Pick up hard or sharp objects, matches, hot ashes, cigarette ends or other similar items.
- Spray with or pick up flammable liquids, cleaning fluids, aerosols or their vapours as this may cause risk of fire / explosion.
- Run over the supply cord when using your cleaner or remove the plug by pulling on the supply cord.
- Stand on or wrap the power cord around arms or legs when using the cleaner.
- Use the appliance to clean people or animals.
- Continue to use your cleaner if it appears to be faulty. If the supply cord is damaged stop using the cleaner IMMEDIATELY. To avoid a safety hazard, an authorised Hoover service engineer must replace the supply cord.

GETTING TO KNOW YOUR CLEANER

- A. Cleaner main body
- B. Dust container
- C. Dust container front handle*
- D. Dust container top handle
- E. Dust container release button
- F. On-off / power control* slider
- G. Cleaner carry handle / cord rewind button
- H. Parking slots
- I. Exhaust filter
- J. Hose
- K. Hose release button
- L. Handle
- M. Suction control
- N. Standard tube*
- O. Telescopic tube*
- P. Telescopic tube adjuster*
- Q. Carpet & floor nozzle**
- R. Surface selector pedal**
- S. Pre motor filter
- T. Pre motor filter mesh*
- U. 2 In 1 accessory
- V. Pet hair remover mini turbo nozzle*
- W. Allergen remover mini turbo nozzle*
- X. Grand turbo nozzle*
- Y. Hard floor caresse nozzle*

ASSEMBLING YOUR CLEANER

Remove all components from the packaging.

1. Connect the hose to the cleaner main body, ensuring it clips and locks into position. To release: simply press the button on the hose end and pull. **[2]**
2. Connect the handle to the tube upper end. **[3]**
3. Connect the tube lower end to the carpet and floor nozzle**. **[4]**

USING YOUR CLEANER

1. Extract power cord and plug it into the power supply. Do not pull the cord beyond the red marker. [5]
2. Adjust the telescopic tube* to the desired height by moving the telescopic tube adjuster* up and raise or lower the hose handle to the most comfortable cleaning position. [6]
3. Select the type of surface to be cleaned by pressing the pedal in the nozzle**. [7]
 - Hard Floor** – Brushes are lowered to protect the floor.
 - Carpet** – Brushes are raised for the deepest clean.
4. Switch the cleaner on by sliding the On-Off control to the ON position. [8]
5. Adjust the power level by further sliding the On-Off / variable power control* slider on cleaner mainbody. [9]
6. Switch off at the end of use by sliding the On-Off control to the OFF position. Unplug and press the carry handle/cord rewind button to wind the power cord back into the cleaner. [10]
7. To store your cleaner adjust telescopic tube* to the lowest height setting and park the nozzle in the park position on the cleaner main body. [11]

ACCESSORIES AND NOZZLES

All accessories can be fitted to the end of the handle or the end of the tube.

2 in 1 Accessory

Remove the 2in1 accessory from the rear of the cleaner [12] and fit onto the end of the handle. [13]

Crevice Tool – For corners and hard to reach areas. [1U]

Dusting Brush – For bookshelves, frames, keyboards and other delicate areas. To extend the brushes push the button on the body of the tool. [1U]

Pet Hair Remover Mini Turbo Nozzle* - Use the mini turbo nozzle on stairs or for deep cleaning on textile surfaces and other hard to clean areas. Particularly suitable for pet hairs removal. [1V]

Allergen Remover Mini Turbo Nozzle* – Use the mini turbo nozzle on stairs or for deep cleaning on textile surfaces and other hard to clean areas, particularly suitable for allergen removal. [1W]

Grand Turbo Nozzle* – Use the turbo nozzle for deep cleaning on carpets. [1X]

Hard Floor Caresse Nozzle* – For parquet floors and other delicate floors. [1Y]

IMPORTANT: Do not use the Grand turbo and mini turbo nozzles on rugs with long fringes, animal hides and carpet pile deeper than 15mm. Do not keep the nozzle stationary while the brush is rotating.

CLEANER MAINTENANCE

Emptying the Dust Container

When the dust reaches the max level indicator in the container, empty the dust container.

IMPORTANT: To maintain optimum performance do not allow the dust to sit higher than the max level.

1. Release the Dust Container by pressing the Dust Container Release Button. Lift the Dust Container from the cleaner mainbody. [14]
2. Hold the Dust Container over a bin with one hand, and remove the Dust container lid by rotating anti-clockwise. [15]
3. Empty the dust from the bin. [16]
4. Close and refit the dust container to the cleaner.

Cleaning the washable filters

The cleaner is fitted with pre motor filter and exhaust filter. To maintain optimum cleaning performance, regularly remove the filter and tap against the side of the bin to release dust. The filters should be washed every 5 container empties or when the filter has excessive dust level.

IMPORTANT: All bagless cleaners require regular filter cleaning. Failure to clean your filters may result in air blockage, overheating and product failure. This may invalidate your guarantee.

IMPORTANT: Regularly check and maintain the filters.

IMPORTANT: Always ensure the filter pack is fully dry before use.

To access the Pre-Motor filter:

1. Remove the dust Container from the cleaner mainbody. [14]
2. Hold the Dust Container over a bin with one hand, and remove the bin lid by rotating anti-clockwise. [15]
3. Remove the filter mesh* by rotating clockwise from bin lid. [17]
4. Remove the pre-motor filter by rotating clockwise from bin lid. [18]
5. Gently tap and wash the filter mesh* and filter, do not use hot water or detergents. [19] Remove excess water from the filter mesh* and filter and leave to dry fully before re-using. [22]
6. Reassemble the pre-motor filter pack (filter mesh* and filter) once fully dry and refit to the cleaner.

To access the exhaust filter:

1. Press the exhaust filter grid latch to access to the exhaust filter from rear of the cleaner. [20]
2. Remove the exhaust filter from the grid. [21]
3. Gently tap and wash the exhaust filter, do not use hot water or detergents. Remove excess water from the exhaust filter and leave to dry fully before re-using. [22]
4. Refit the exhaust filter to grid once fully dry and refit the exhaust grid.

IMPORTANT: Do not use the product without the exhaust filter fitted.

Removing a blockage

1. Check if the dust container is full. If so refer to 'Emptying the dust container'.
2. If the dust container is empty but suction is still low:
 - A. Do the filters need cleaning? If so refer to 'Cleaning the washable filters'.
 - B. Check if there is any other blockage in the system - Use a rod or pole to remove any blockage from the extension tube or flexible hose.
 - C. Check if pre-motor filter is fitted and filter door is closed

Warning (Certain models only*) -. If the cleaner is used for a significant period of time when dust container is full, filters are dirty and with a blockage in the system, a thermal cut out will switch the cleaner off to prevent overheating. If this should happen, switch the cleaner off, unplug and correct the fault. It will take about 30 minutes for the cut out to automatically reset.

USER CHECKLIST

Should you have a problem with the product, complete this simple user checklist before calling your local Hoover service.

- Is there a working electricity supply to the cleaner? Please check with another electrical appliance.
- Is the dust container over-filled? Please refer to 'Cleaner Maintenance'.
- Is the filter blocked? Please refer to 'Cleaner Maintenance'.
- Is the hose or nozzle blocked? Please refer to 'Removing a blockage' from the system.
- Has the cleaner overheated? If so, it will take approximately 30 minutes to automatically reset.

IMPORTANT INFORMATION

Hoover spares and Consumables

Always replace parts with genuine Hoover spares. These are available from your local Hoover dealer or direct from Hoover. When ordering parts always quote your model number.

Consumables:

- Filter kit (Pre motor and Exhaust) U62 35601182

Spares:

- Flexible Hose D127 35601181
- Carpet and Floor Nozzle G82 35600417
- Parquet Nozzle G87PC 35600655
- Mini turbo Nozzle J20 09200356

Hoover Customer Helpline Service

Should any faults occur with your cleaner during the first 12 months contact the Hoover Customer Helpline on the number below.

Tel: 08444 995 599

Email: customer.services@hoovercandy.com

Hoover have a computerised nationwide service network of over 500 engineers who will quickly respond to your call and guarantee your repair for 12 months.

Quality, Safety and the Environment

Safety

Although safety certification of electrical appliances is not required by law in the UK, Hoover believe that independent approval is the best way of demonstrating safety in design and manufacture. The British Electrotechnical Approvals Board (BEAB), the independent UK national authority for the safety of domestic electrical appliances, ensures that European safety standards are met and maintained throughout the production life of an appliance. All appliances that pass the requirements are permitted to carry the BEAB mark of safety.

Quality

BSI ISO 9001

Hoover's factories have been independently assessed for quality. Our products are made using a quality system which meets the requirements of ISO 9001

The Environment:

This appliance is marked according to the European Directive 2002/96/EC on Waste Electrical and Electronic Equipment (WEEE).

By ensuring this product is disposed of correctly you will help prevent potential negative consequences for the environment and human health, which could otherwise be caused by inappropriate waste handling of this product.

The symbol on the product indicates that this product may not be treated as household waste. Instead it shall be handed over to the appliance collection point for recycling of electrical and electronic equipment.



Disposal must be carried out in accordance with the local environmental regulations for waste disposal.

For more detailed information about treatment, recovery and recycling of this product, please contact your local city office, your household waste disposal service or the shop where you purchased the product.

Your Guarantee

The guarantee conditions for this appliance are as defined by our representative in the country in which it is sold. Details regarding these conditions can be obtained from the dealer from whom the appliance was purchased. The bill of sale or receipt must be produced when making any claim under the terms of this guarantee.

Subject to change without notice.