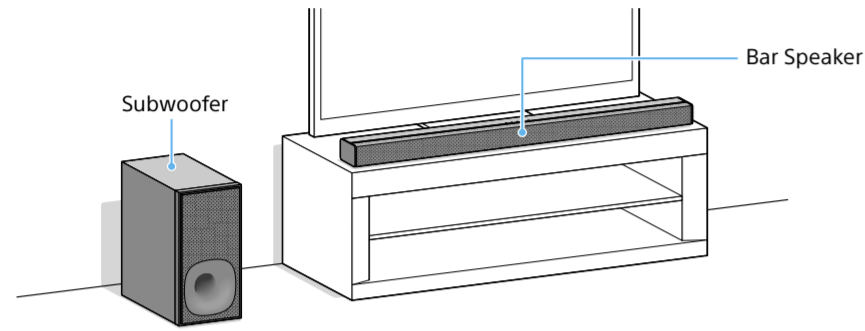
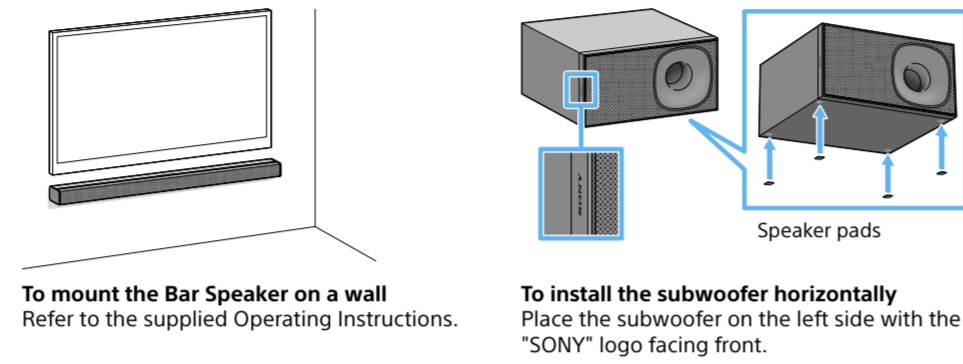
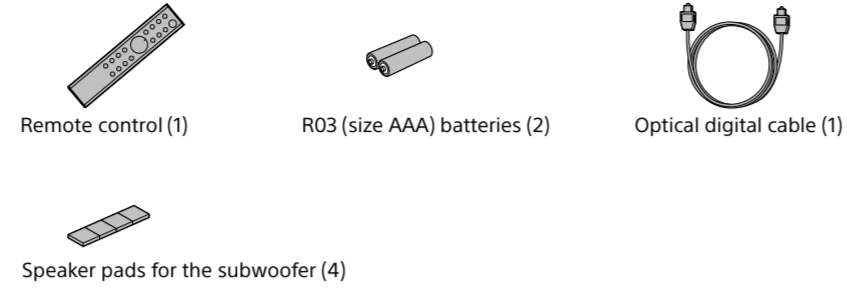


Sound Bar
Startup Guide

HT-CT180



Supplied accessories



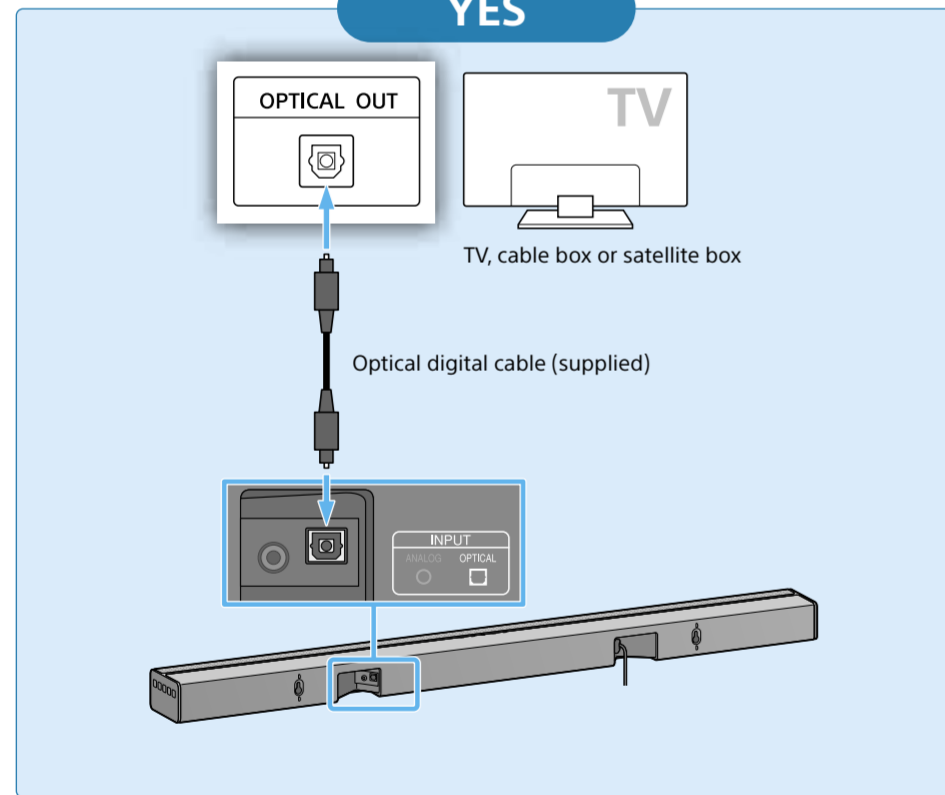
To mount the Bar Speaker on a wall
Refer to the supplied Operating Instructions.

To install the subwoofer horizontally
Place the subwoofer on the left side with the "SONY" logo facing front.

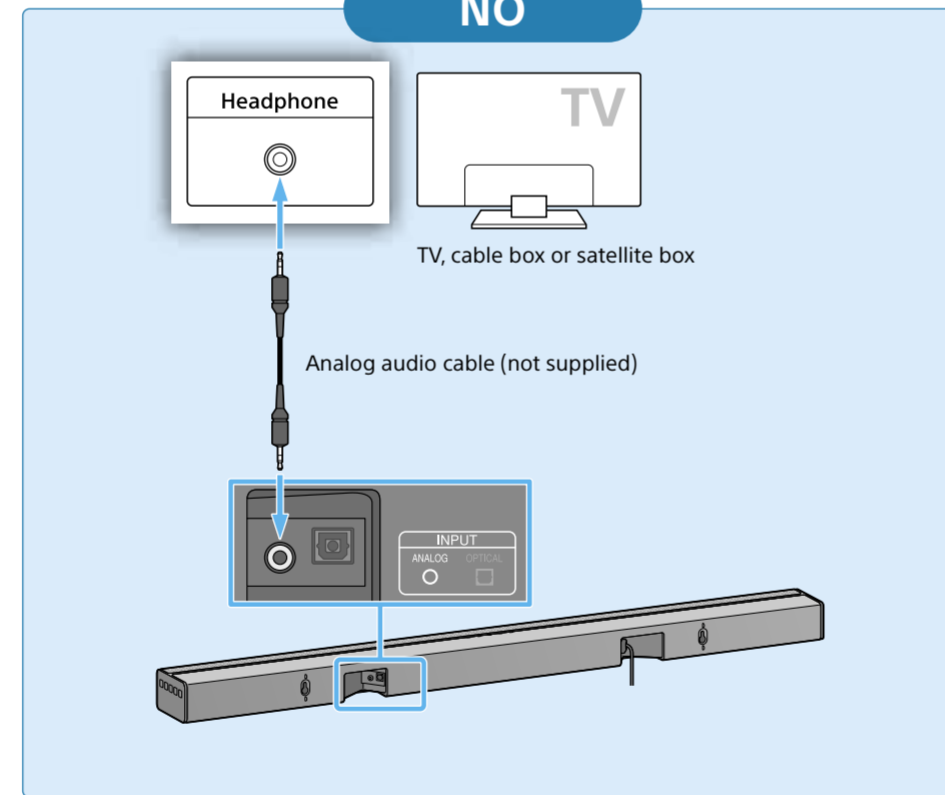
1 Connecting with a TV

Is there an optical digital jack on your TV?

YES

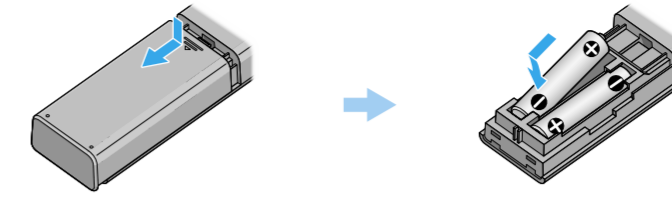


NO

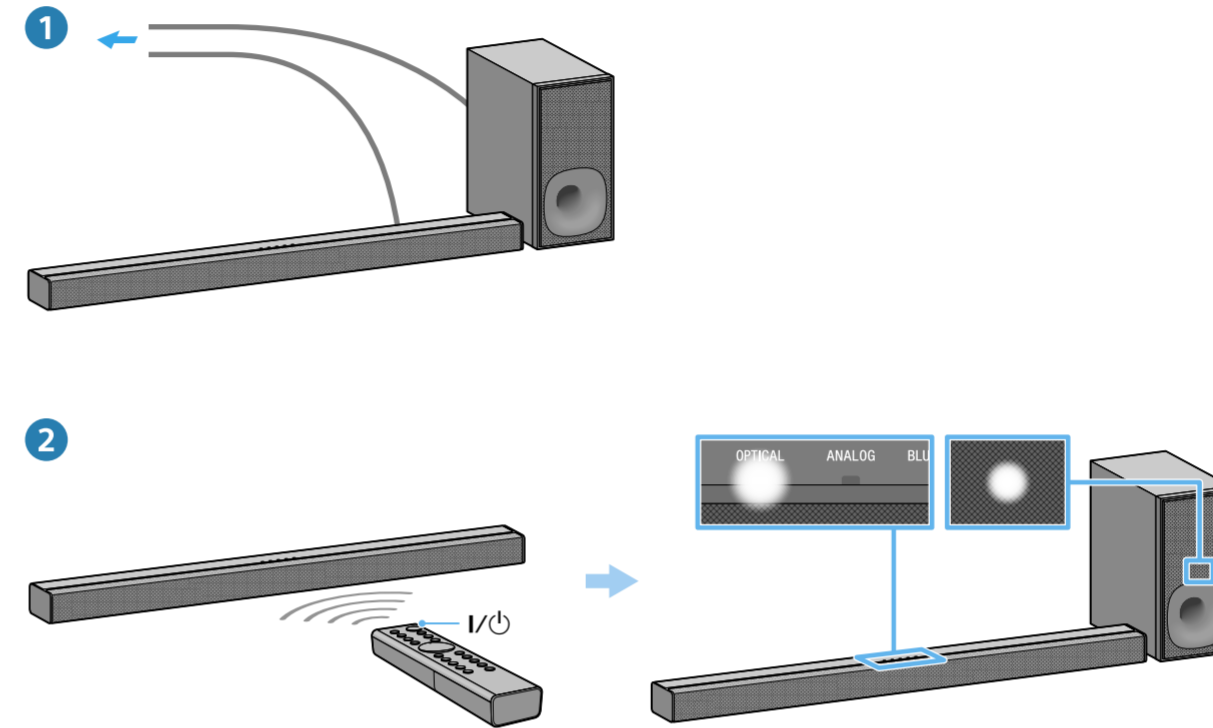


Note
If the TV's headphone jack also serves as an audio output jack, check the TV's audio output settings. For details, refer to the TV's operating instructions.

2 Setting up the remote control

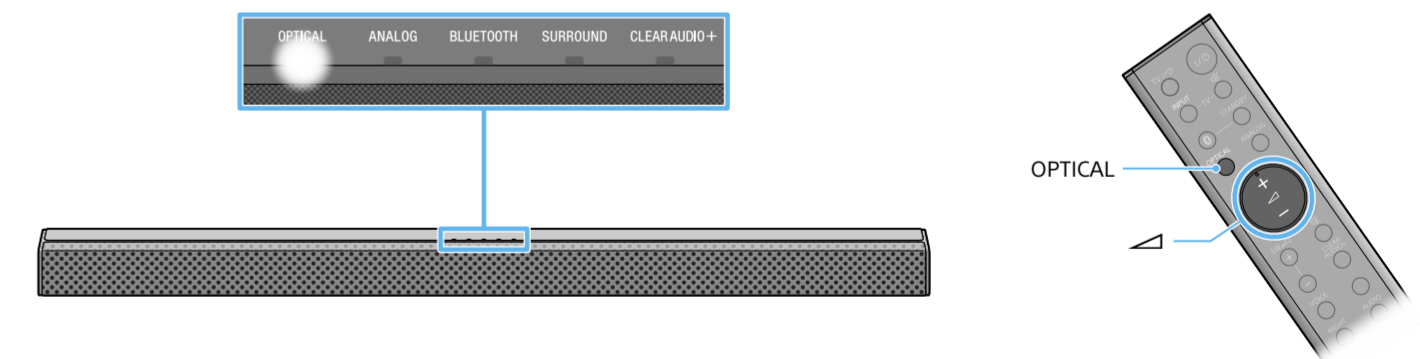


3 Turning on the system



- 1 Connect the AC power cords (mains leads).
- 2 Press the I/⏻ (on/standby) button.
An input indicator lights up.
Confirm that the on/standby indicator of the subwoofer is lit in green. When the indicator turns on, wireless connection of the Bar Speaker and the subwoofer is completed. If it does not turn on, the wireless transmission is not activated. Refer to "Subwoofer wireless sound" of "Troubleshooting" in the supplied Operating Instructions.

4 Listening to the sound



Press the OPTICAL button to turn on the OPTICAL indicator. Then, press the (volume) button to adjust the volume. If you connected your TV to the ANALOG jack in step 1, press the ANALOG button.

Setup completed! Enjoy!

Please see the supplied Operating Instructions about the BLUETOOTH connection, and other functions.

