

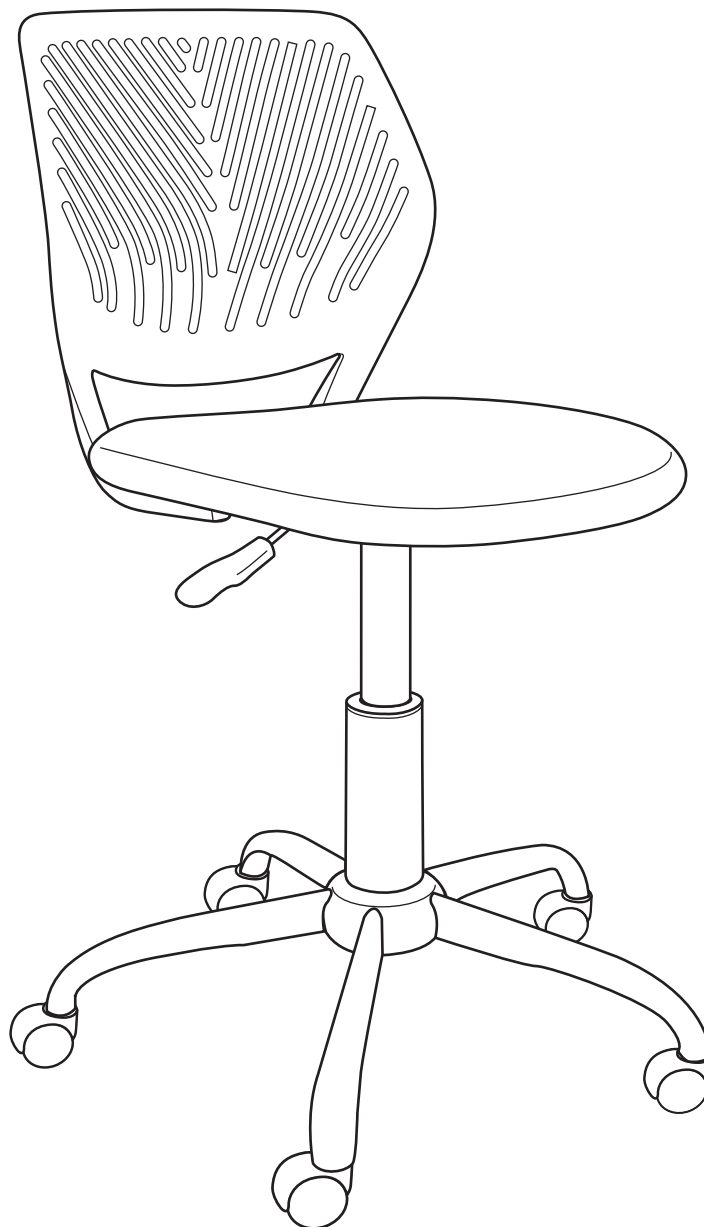
Mesh Gas Lift Chair

Assembly Instructions - Please keep for future reference

548/7903

554/8330

H O
M E
BY ARGOS



Dimensions

Width - 41cm

Depth - 47cm

Height - 75-87cm

Important - Please read these instructions fully before starting assembly

If you need help or have damaged or missing parts, call the **Customer Helpline:**
Argos = 0345 6400800



Safety and Care Advice

Important - Please read these instructions fully before starting assembly

- Check you have all the components and tools listed on the following pages.
- Remove all fittings from the plastic bags and separate them into their groups.
- Keep children and animals away from the work area, small parts could choke if swallowed.
- Make sure you have enough space to layout the parts before starting.

- During assembly do not stand or put weight on the product, this could cause damage.
- Assemble the item as close to its final position (in the same room) as possible.
- Assemble on a soft level surface to avoid damaging the unit or your floor.
- Parts of the assembly will be easier with 2 people.



• We do not recommend the use of power drill/drivers **for inserting screws**, as this could damage the unit. Only use hand screwdrivers.

- Unit weight: 5kgs.
- Maximum safe weight of user: 110kgs.

Care and maintenance

- Only clean using a damp cloth and mild detergent, do not use bleach or abrasive cleaners.
- From time to time check that there are no loose screws on this unit.

- Do not stand on the chair.
- Do not use this chair as step ladder.
- This product should not be discarded with household

waste. Take to your local authority waste disposal centre.

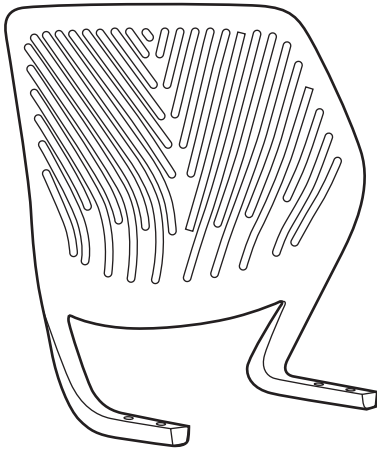
Handy Hints

- Assemble all parts and bolts loosely during assembly, only once the product is complete should you fully tighten the bolts.
- Regularly check and ensure that all bolts and fittings are tightend properly.

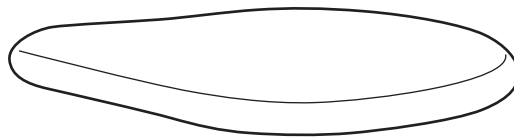
Components - Parts

If you have damaged or missing components, call the Customer Helpline: Argos = 0345 6400800

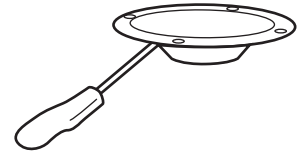
Please check you have all the parts listed below



1 Backrest
(36 x 39 x 16cm)



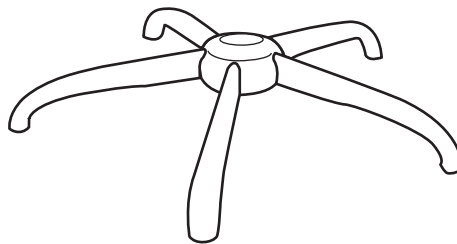
2 Seat
(41 x 38.5 x 6.5cm)



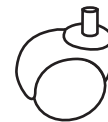
3 Chair lift plate
(25.5 x 13.5 x 6cm)



4 Gas lift
(28/40 x Ø5cm)



5 Base
(Ø28 x 9cm)

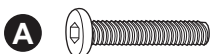


6 Castor x 5
(8 x 6.5 x 6.5cm)

Components - Fittings

Please check you have all the fittings listed below

Note: The quantities below are the correct amount to complete the assembly. In some cases more fittings may be supplied than are required.



A M6 x 35mm Bolt x 4



B M6 x 16mm Bolt x 4



C Washer x 4



D Allen Key x 1

Ruler - Use this ruler to help correctly identify the screws



Assembly Instructions

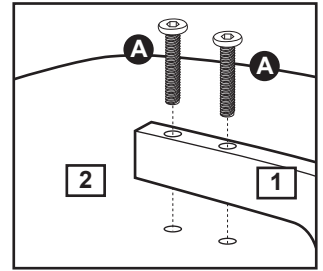
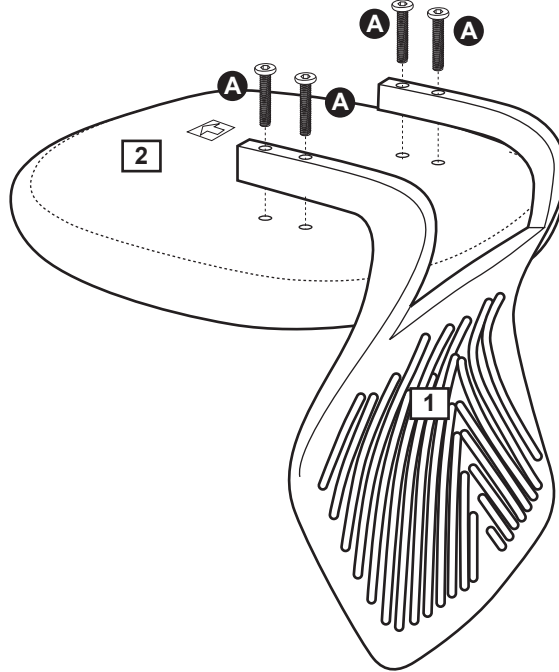
Step 1

Attaching backrest

Place the seat **2** upside down on a raised, flat and protected surface.

Position the backrest **1** on the seat as shown.


Secure using bolts **A** then tighten bolts using allen key **D**.



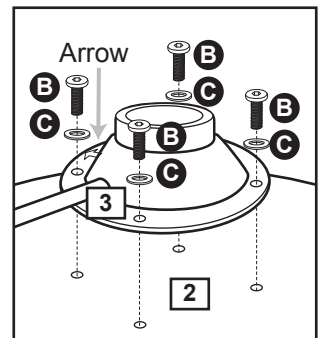
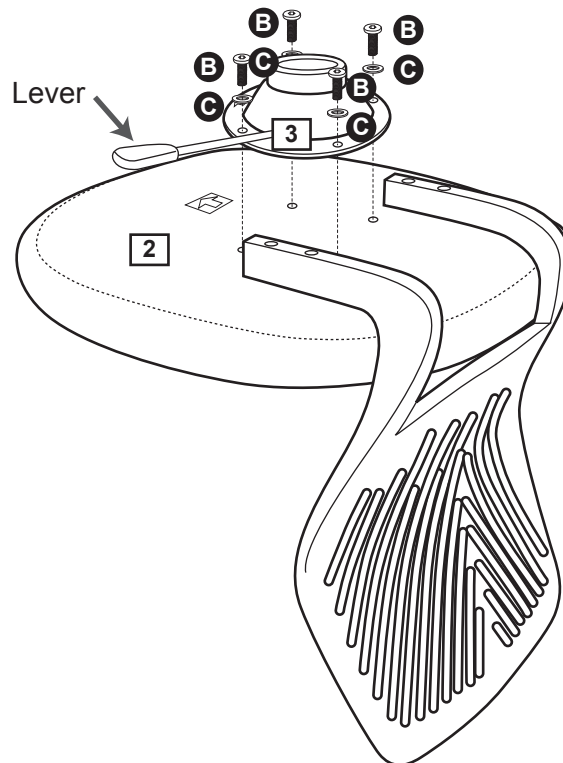
Step 2

Attaching mounting plate

Position the mounting plate **3** onto the seat **2** as shown.

 **Important:** Make sure to correctly position the lever at the right side of the seat as shown.

Secure using bolts **B** and washers **C** then tighten bolts using allen key **D**.

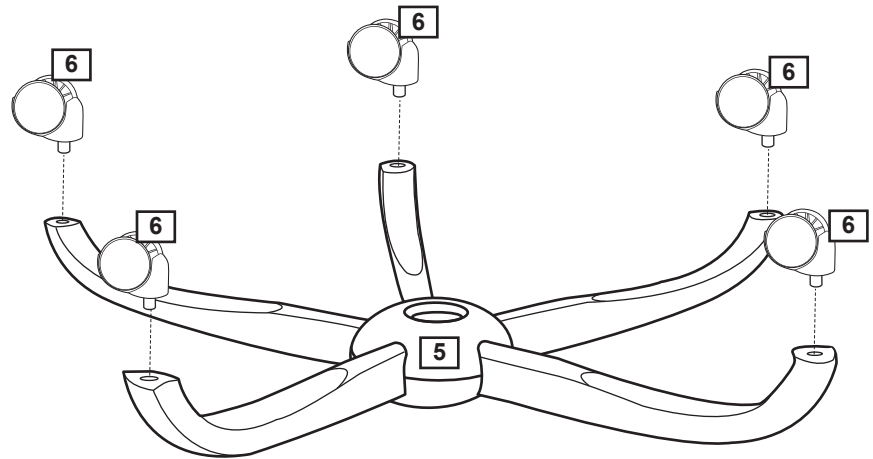


Assembly Instructions

Step 3

Attaching castors

Place the base **5** upside down on a flat protected surface. Attach the castors **6** into holes on the base and secure by pressing down firmly.



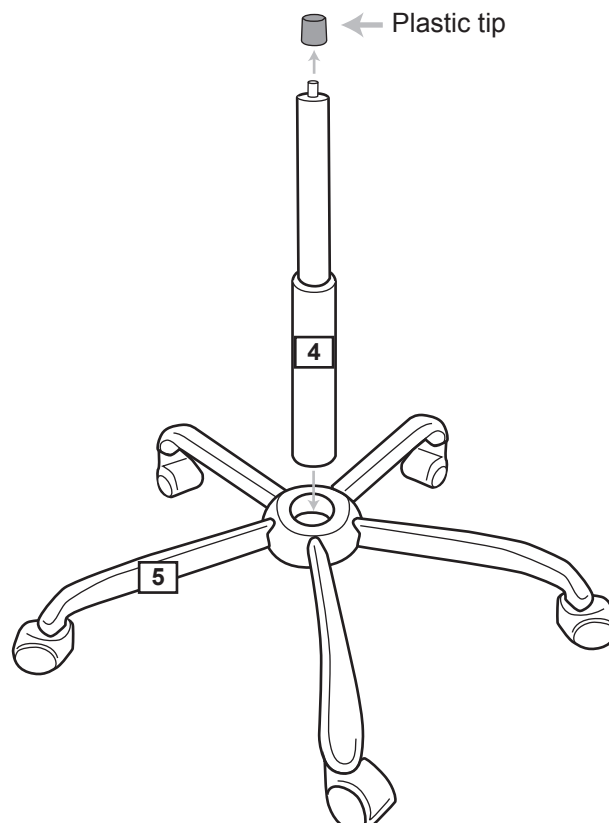
Step 4

Attaching gas lift

Place the base **5** on a flat protected surface. Insert the gas lift **4** into the hole on the base as shown and press firmly to secure.



Important: Remove plastic tip cover on gas lift before assembling.

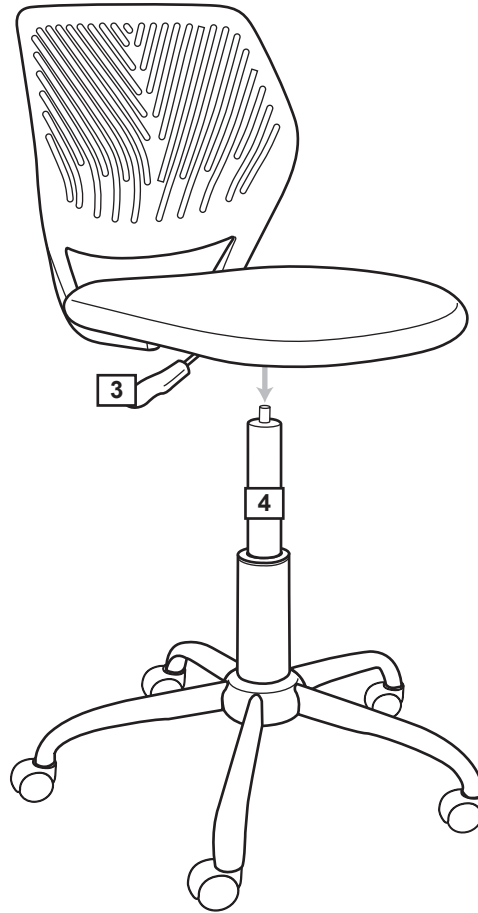


Assembly Instructions

Step 5

Attaching the seat

Position the seat as shown and insert the gas lift **4** into the mounting plate **3**. Secure by pressing down the seat firmly.

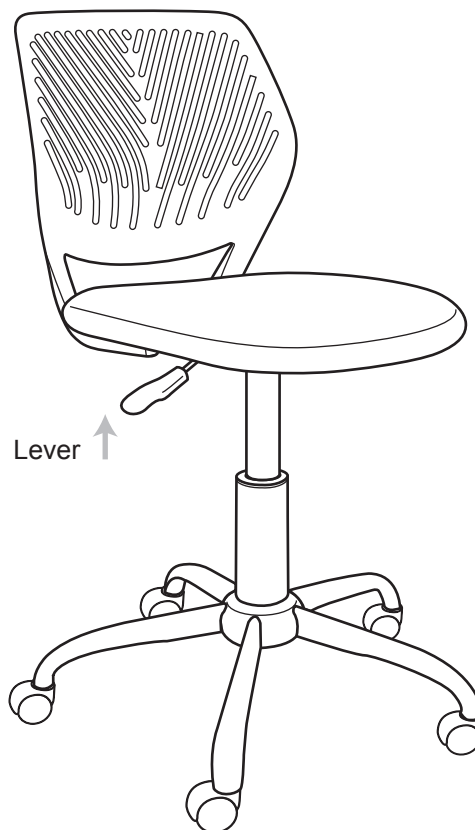


Step 6

Gaslift operation

To adjust the seat higher, lift up the lever under the seat and release at desired height.

To lower the seat, lift up the lever while seated on the stool.



Assembly is complete.

If you need help or have damaged or missing parts, call the **Customer Helpline:**
Argos = 0345 6400800