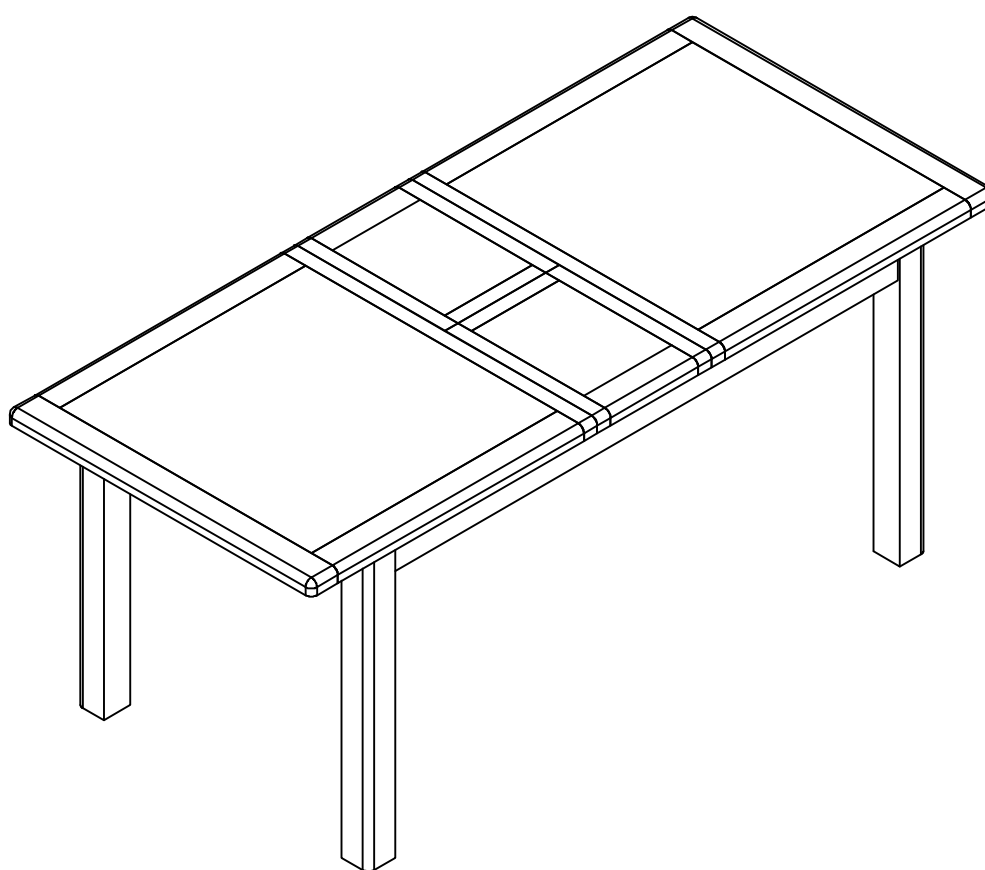


kent ext 150/180 table

Assembly Instructions - Please keep for future reference

532/8608



Dimensions

Width - 150/180cm

Depth - 80cm

Height - 75cm

Important - Please read these instructions fully before starting assembly

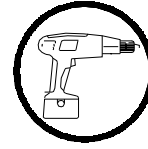
If you need help or have damaged or missing parts, call the **Customer Helpline:**
Argos = 0345 6400800



Safety and Care Advice

Important - Please read these instructions fully before starting assembly

- Check you have all the components and tools listed on the following pages.
- Remove all fittings from the plastic bags and separate them into their groups.
- Keep children and animals away from the work area, small parts could choke if swallowed.
- Make sure you have enough space to layout the parts before starting.
- During assembly do not stand or put weight on the product, this could cause damage.
- Assemble the item as close to its final position (in the same room) as possible.
- Assemble on a soft level surface to avoid damaging the unit or your floor.
- Parts of the assembly will be easier with 2 people.



- To reduce the likelihood of damaging your product please ensure that your power drill is set on a low torque setting.

Care and maintenance

- Only clean using a damp cloth and mild detergent, do not use bleach or abrasive cleaners.
- From time to time check that there are no loose screws on this unit.
- This product should not be discarded with household waste. Take to your local authority waste disposal centre.

Handy Hints

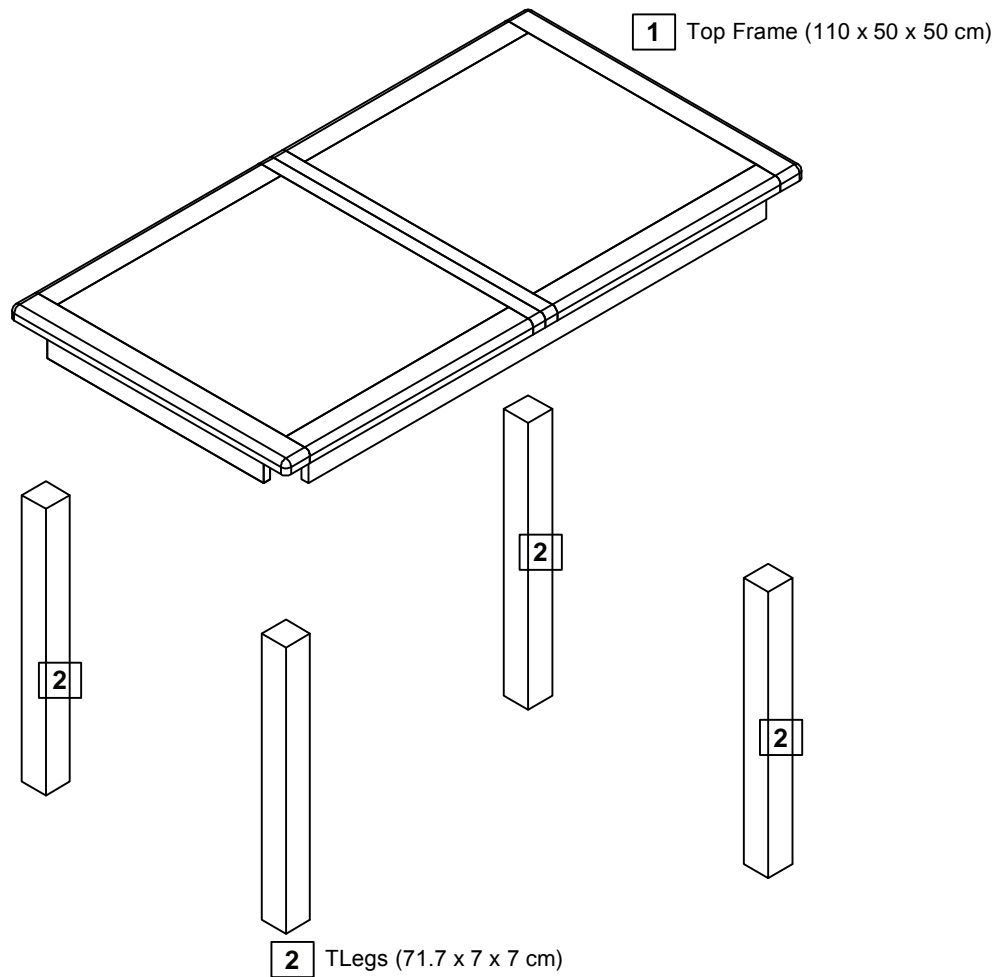
- Assemble all parts and bolts loosely during assembly, only once the product is complete should you fully tighten the bolts.
- Regularly check and ensure that all bolts and fittings are tightened properly.

Note: if required the next page can be cut out and used as reference throughout the assembly. Keep this page with these instructions for future reference.

Components - Panels

If you have damaged or missing components, call the
Customer Helpline: Argos = 0345 6400800

Please check you have all the panels listed below

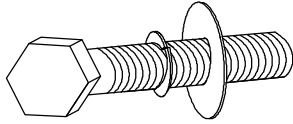


Components - Fittings

Please check you have all the fittings listed below

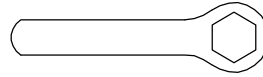
Note: The quantities below are the correct amount to complete the assembly. In some cases more fittings may be supplied than are required.

A



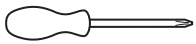
Bolts 60mm & Washers x 08

B

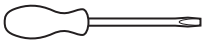


Key x 1

Tools required



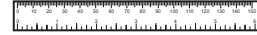
Phillips screwdriver
(medium & large)



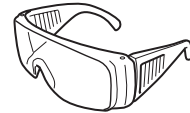
Flatblade screwdriver
(medium)



Small
hammer



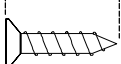
Ruler/tape
measure



Eye protection
(when using a
hammer or glue)

Ruler - Use this ruler to help correctly identify the screws

0 5 10 15 20 25 30 35 40 45 50 55 60 65 70 75 80 85 90 95 100 105 110 115 120 125 130 135 140 145 150 155 160 165 170

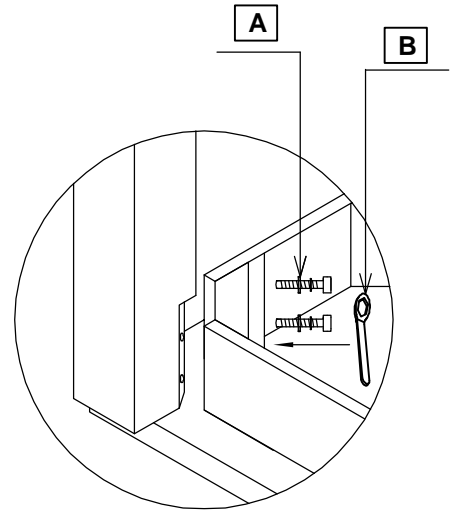
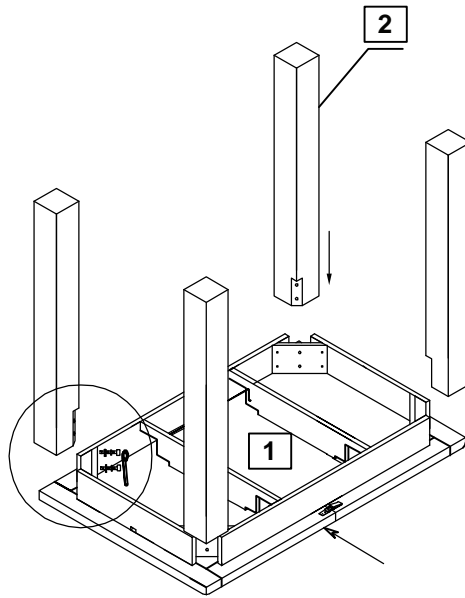


The screws length is measured from the head to the point (15 mm screw shown).

Assembly Instructions

Step 1

Attach the frame legs **2** on the frame top **1** using 60mm bolts and washer **A** and secure key **B** as detail in the diagram below.



If you need help or have damaged or missing parts, call the **Customer Helpline:**
Argos = 0345 6400800

Assembly Instructions

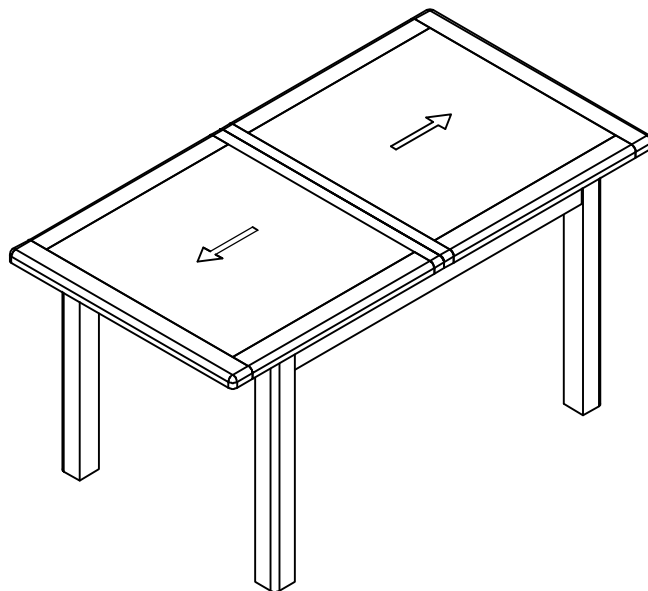
Open table

a : Release safety locks (see safety lock instruction below). Hold to lift the table up and pull the table top out as shown by the arrows.

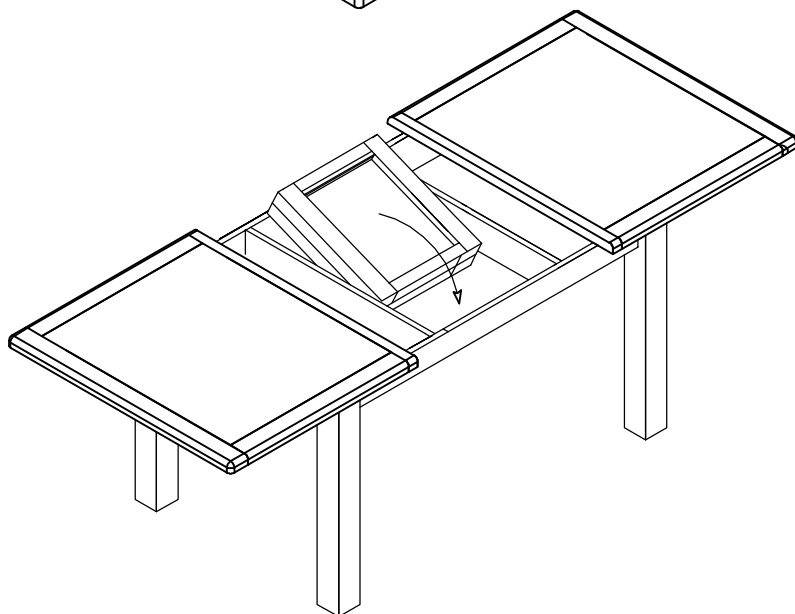
b : Open the extension leaves.

c : Hold the top of table to push on both sides of table as shown by the arrows. Use safety locks to ensure table top will not move while using (see safety lock instruction below)

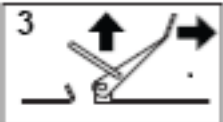
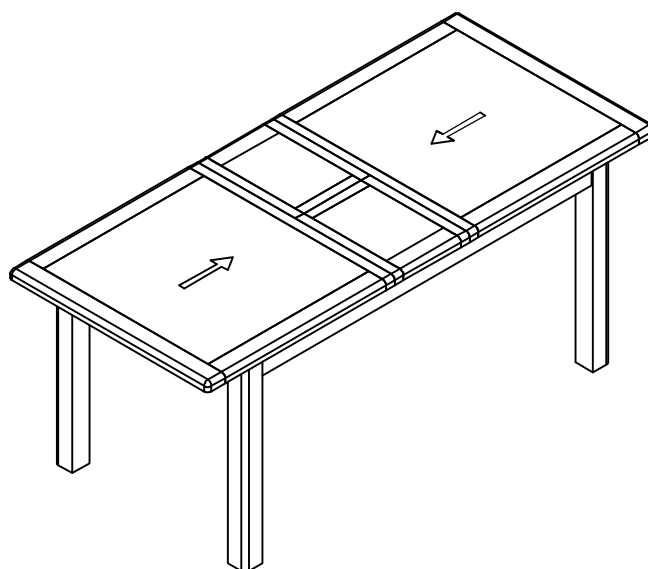
a :



b :



c :



To release Safety lock



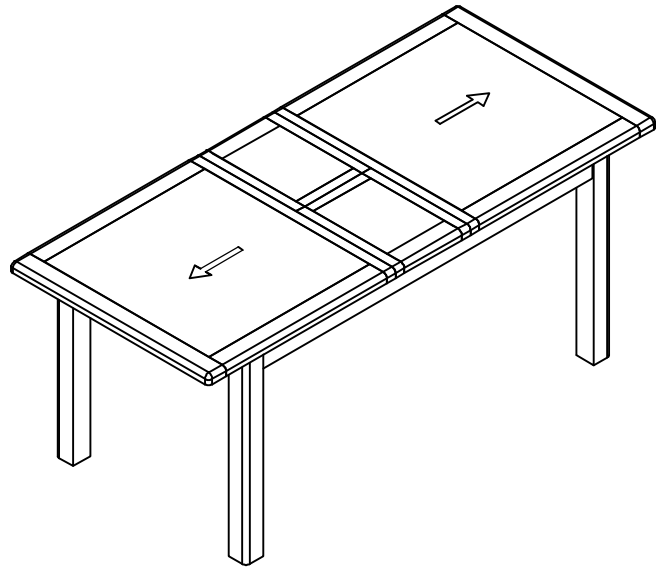
To secure Safety lock

Assembly Instructions

Close table

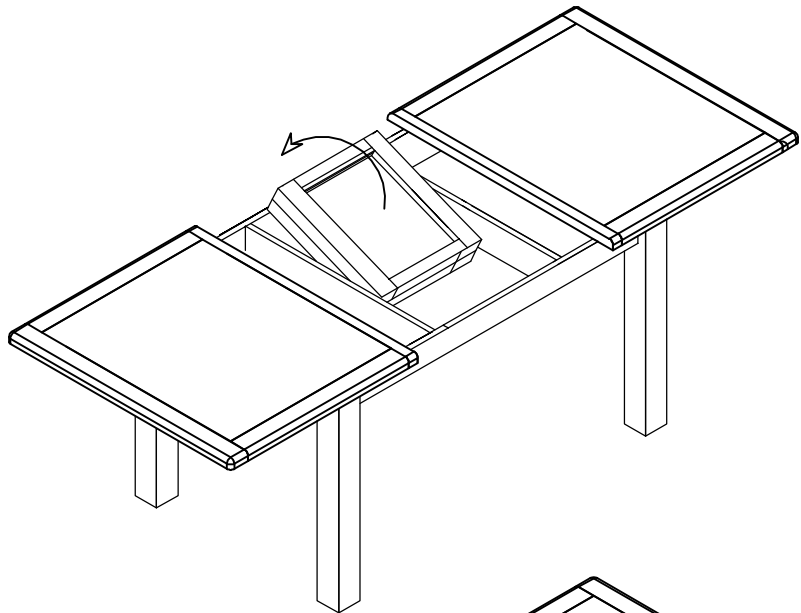
a : Release safety locks (see safety lock instruction below). Hold to lift the table up and pull the table top out as shown by the arrows.

a :



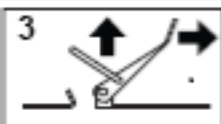
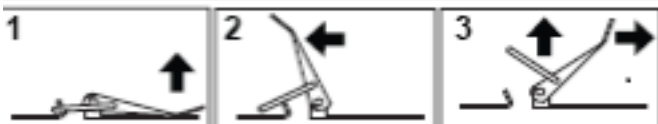
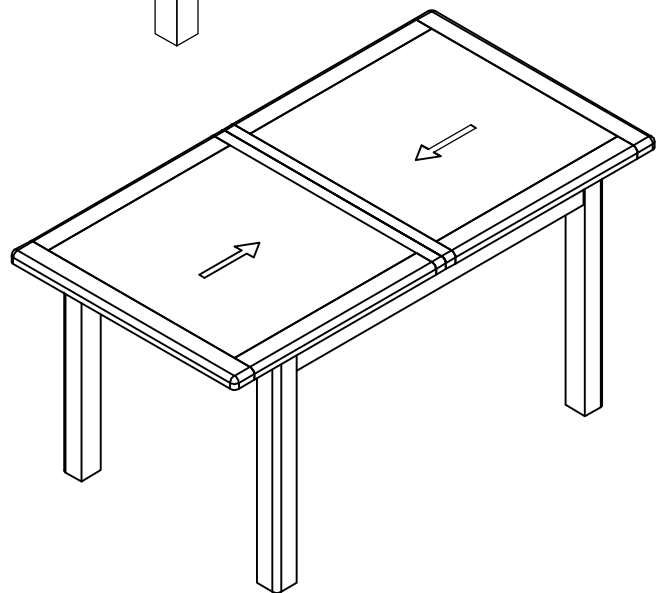
b : Close the extension leaves.

b :



c : Hold the top of table to push on both sides of table as shown by the arrows. Use safety locks to ensure table top will not move while using (see safety lock instruction below)

c :



To release Safety lock



To secure Safety lock