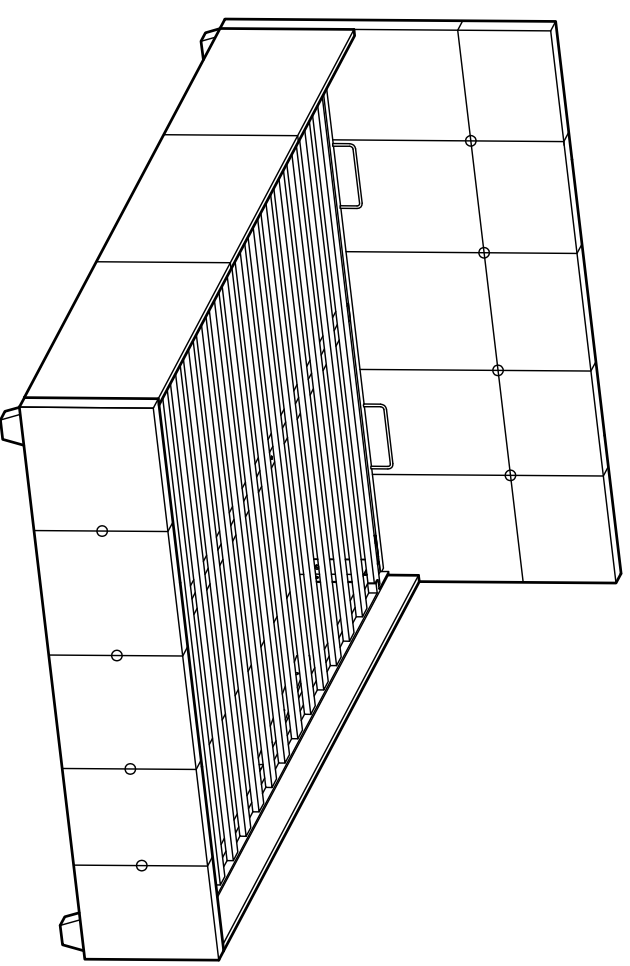


Bosley 4FT

Assembly Instructions - Please keep for future reference

Cat.no 553 / 4485



Dimension

Width - 128cm
Length - 206cm
Height - 98cm

Important - Please read these instructions fully before starting assembly

If you need help or have damaged or missing parts, call the **Customer Helpline: Argos = 0345 640 3030**



Safety and Care Advice

Important - Please read these instructions fully before starting assembly

- Check you have all the components and tools listed on pages 2 and 3.
- Remove all fittings from the plastic bags and separate them into their groups.
- Keep children and animals away from the work area, small parts could choke if swallowed.
- Make sure you have enough space to layout the parts before starting.
- Do not stand or put weight on the product, this could cause damage.
- Assemble the item as close to its final position (in the same room) as possible.
- Assemble on a soft level surface to avoid damaging the unit or your floor.
- Parts of the assembly will be easier with 2 people.
- We do not recommend the use of power drill/drivers for **inserting bolts** as this could damage the unit. Only use hand screwdrivers.
- Dispose of all packaging carefully and responsibly.
- Do not tighten all bolts until bed is fully assembled.



We do not recommend the use of power drill/drivers for **inserting bolts** as this could damage the unit. Only use hand screwdrivers.

Care and maintenance

- Only clean using a damp cloth and mild detergent, do not use bleach or abrasive cleaners.
- From time to time check that there are no loose bolts on this unit.
- This product should not be discarded with household waste. Take to your local authority waste disposal centre.

Handy Hints

- Assemble all parts and bolts loosely during assembly, only once the product is complete should you fully tighten the bolts.
- Regularly check and ensure that all bolts and fittings are tightened properly.

Assembly Instructions

Step 11

Attaching slats

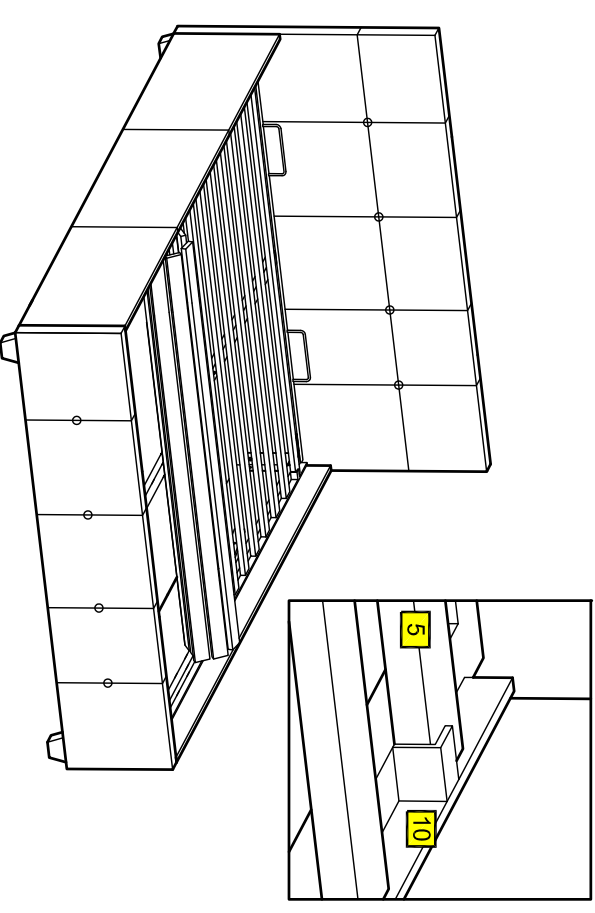
For this stage requires two people.

Roll the slats over the metal frame, then place the end slat after the metal block attached to the Side Rails **7** and **8**.

Slats to be rolled out with staples on the underside.

Repeat operation for all 4 corners.

Assembly is now complete.



Assembly Instructions

Step 9

Attaching the mechanism to the side rails

For this stage requires two people.

Insert 5 Bolts **C** through the Mechanism **11** & **12** through the Side rail **3** and **4**.

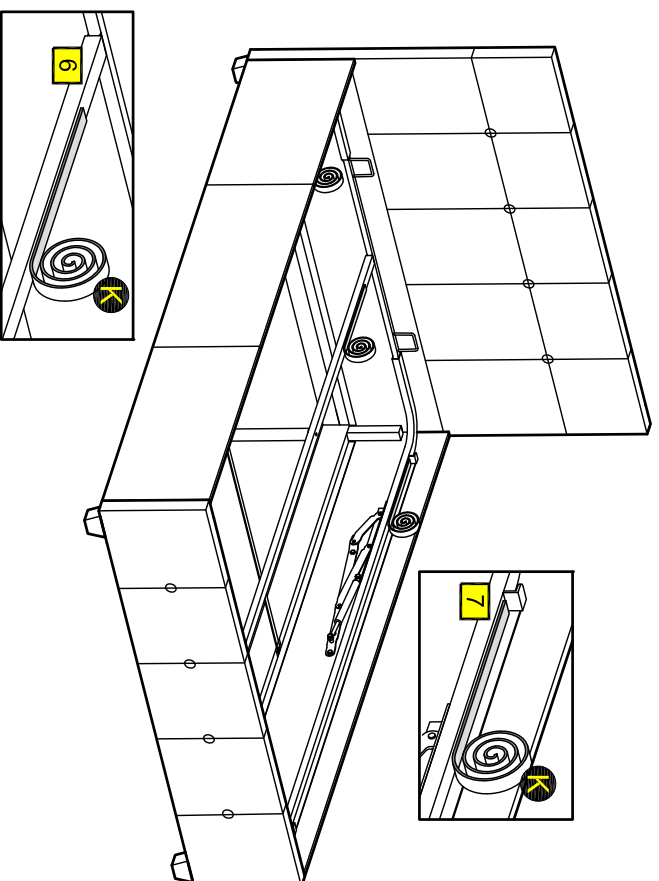
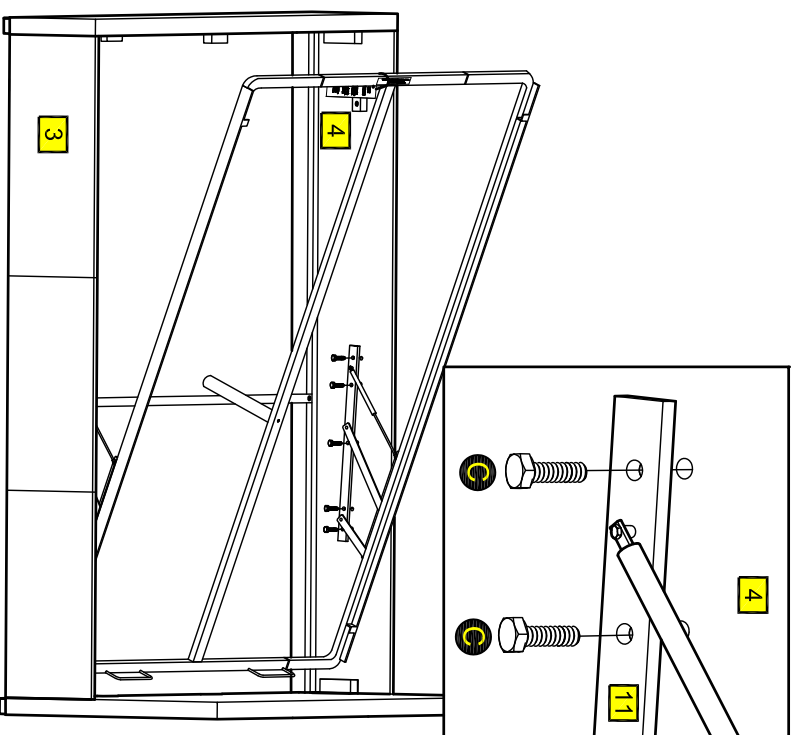
Make the same for the other side.

Now fully tighten all bolts.

Step 10

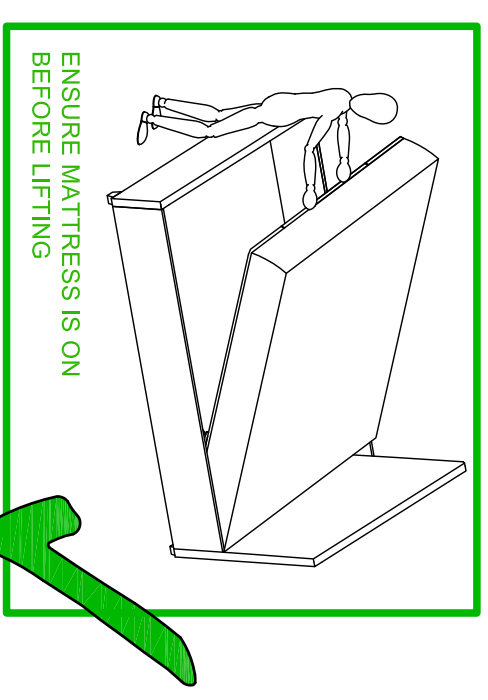
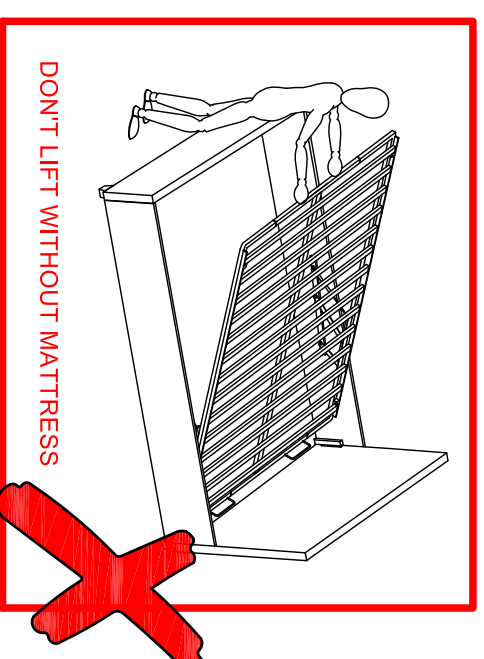
Attaching sticky tape

Roll Sticky tape **K** on metal rail on both Sides **7**, **8** and Middle rail **6**.



Important Ottoman Safety Warnings

- Caution. This bed uses a pressurised mechanism.
- Use caution when operating - Always use two hands at arm's length, and only where illustrated on the product.
- You must ensure the mattress is on the bed frame before lifting the mechanism - Failure to do so may result in injury.
- Please ensure Children and Pets are kept away from the bed when operating the bed mechanism.
- If removing the mattress, make sure that the frame is secured as it could flip open.
- Only use the storage compartment when the frame is fully raised in the 'up' position.
- No children or animals are left unattended when the frame is in the 'up' position.
- Do not remain on the bed whilst the lifting mechanism is in use.
- Beware of Entrapment - Keep both hands clear of mechanism when operating the mechanism.
- When lifting the bed remove all bedding - Except the fitted sheet.

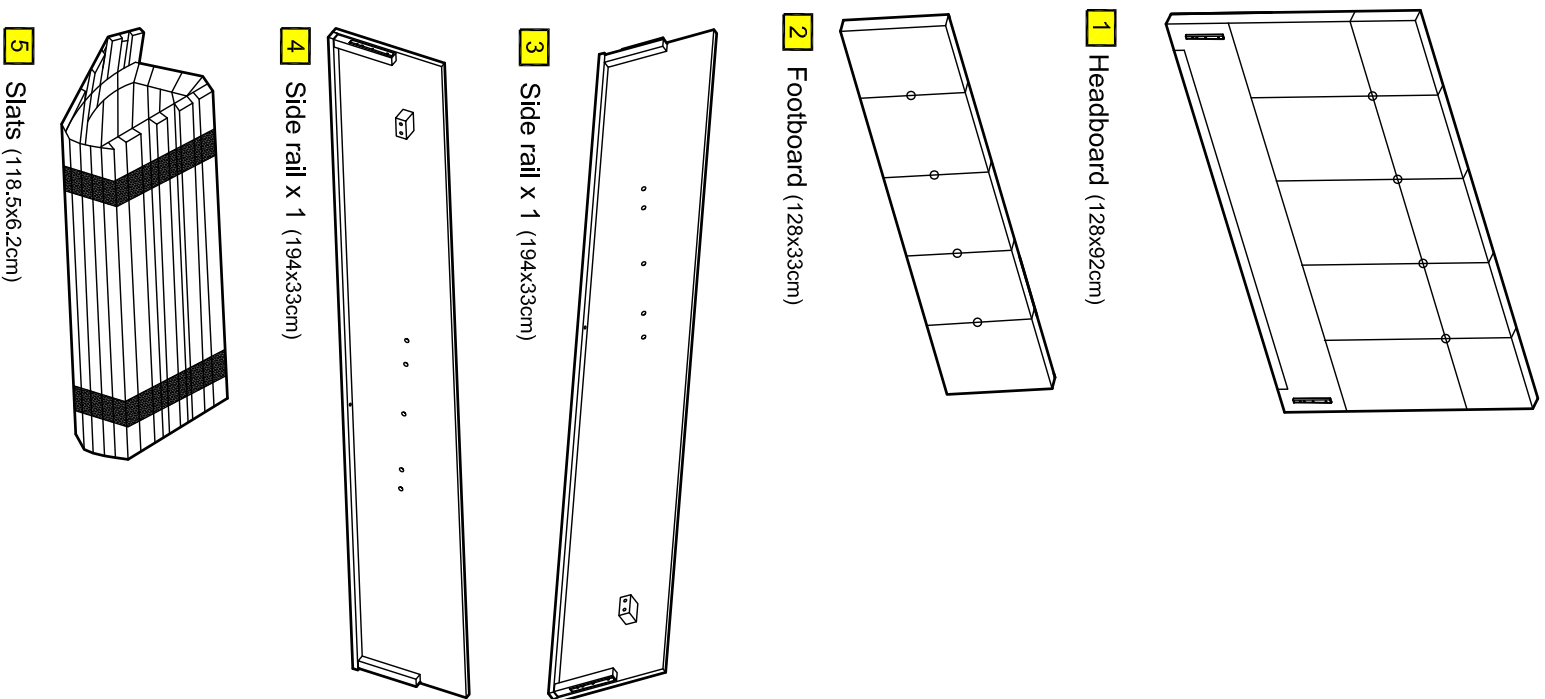


If you need help or have damaged or missing parts, call the Customer Helpline: Argos = 0345 640 3030

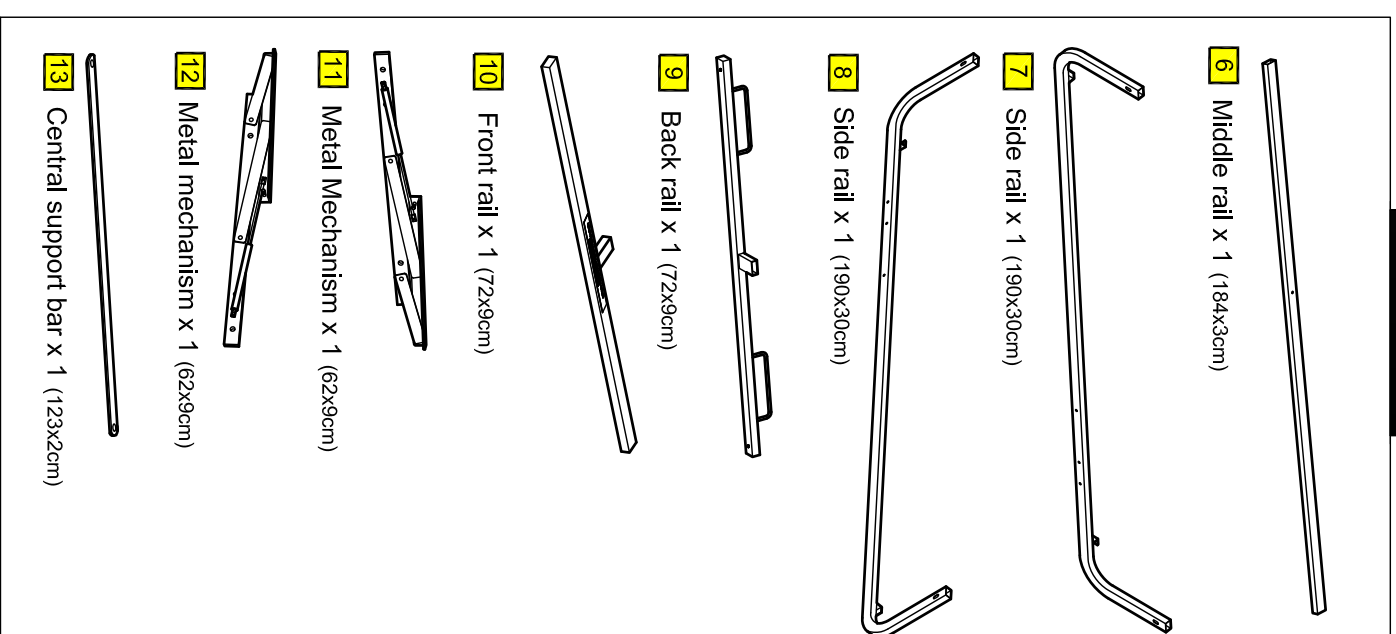
Components - Parts

If you have damaged or missing components, call the **Customer Helpline: Argos = 0345 640 3030**

Please check you have all the parts listed below



Metal frame

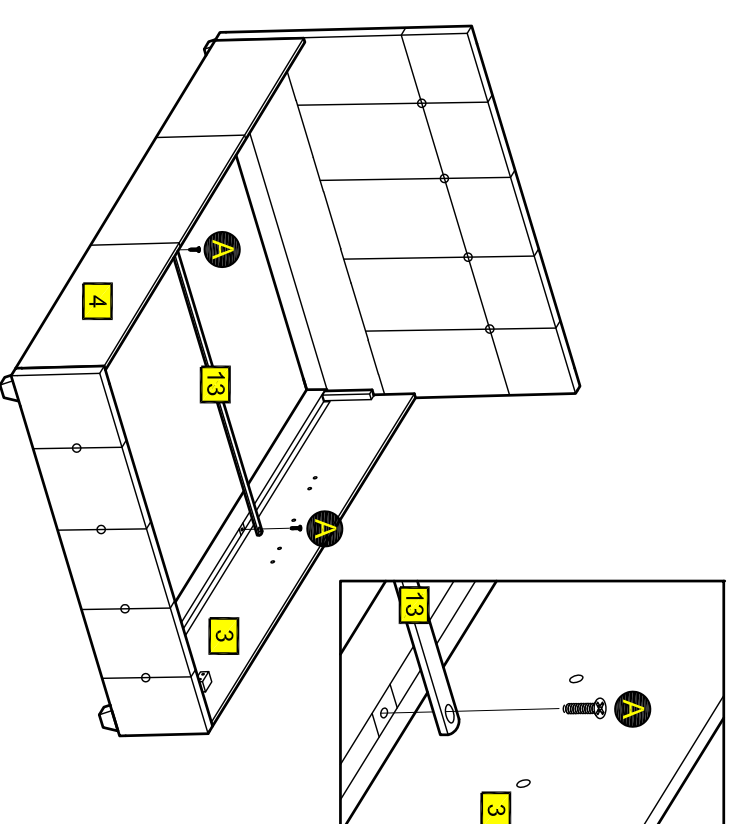


Assembly Instructions

Step 7

Attaching central support bar

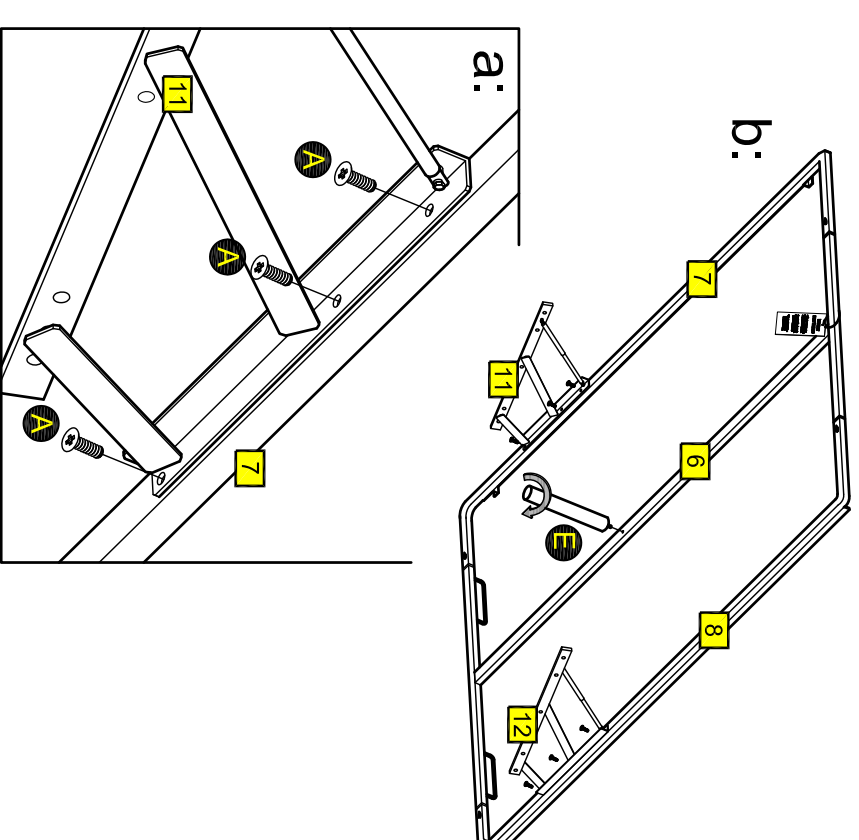
Insert Bolts **A** through hole on the Central support bar **13** and Metal side rails.



Step 8

Attaching the mechanism

a: Fix the Mechanism **11** & **12** to the Metal Frame by inserting 3 Bolts **A** through the Mechanism, then through the metal Side rail **7** and **8**.



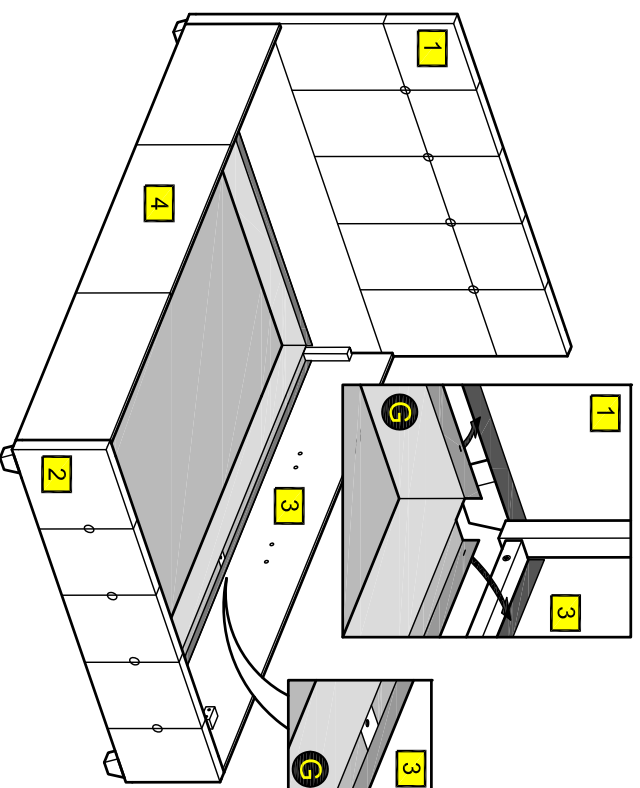
b: Insert Support leg **E** through the Middle Rail **6** and secure tightly in a clockwise direction.

Assembly Instructions

Step 5

Attaching base storage space

Attached Base storage space **G** with help velcro, like in image.



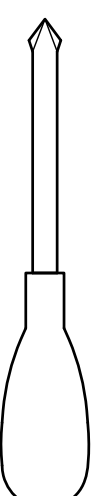
Components - Fittings

Please check you have all the fittings listed below

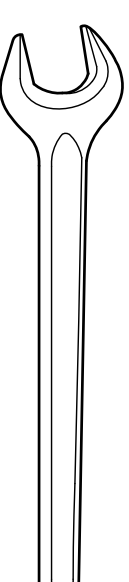
Note: the quantities below are the correct amount to complete the assembly. In some cases more fittings may be supplied than are required.

A M6x16 mm Bolt x 12		B M6x80 mm Bolt x 6		C M8x35 mm Bolt x 10	
D Leg x 4		E Support leg		F M8x50 mm Bolt x 4	
G Base storage space		H Frame support (60x30mm) x 3		I Cabletie	
J Warning label		K Sticky tape x 3			

Tools required



Screwdriver (Not supplied)



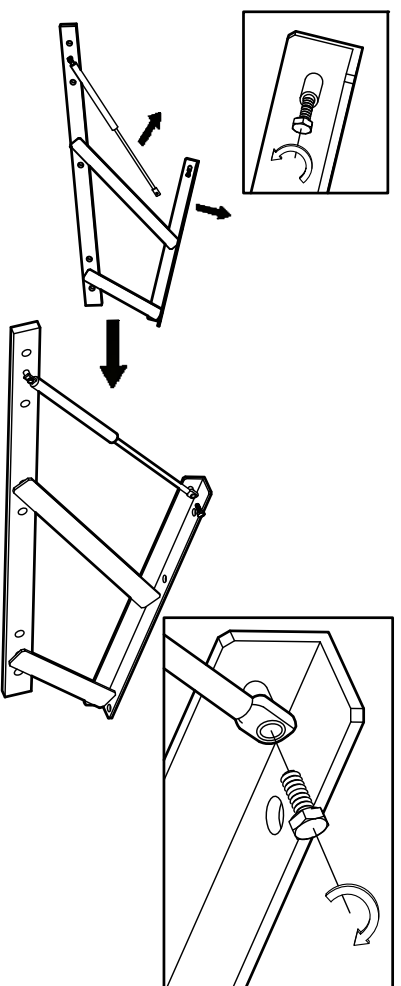
Key hexagonal 13 mm (Not supplied)

Ruler - Use this ruler to help correctly identify the bolts



Mechanism assembly

Remove the screw and place the piston over the hole, then fix the screw.



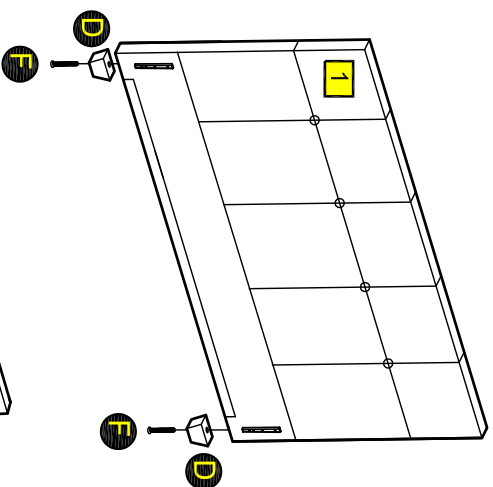
If you need help or have damaged or missing parts, call the **Customer Helpline: Argos = 0345 640 3030**

Assembly Instructions

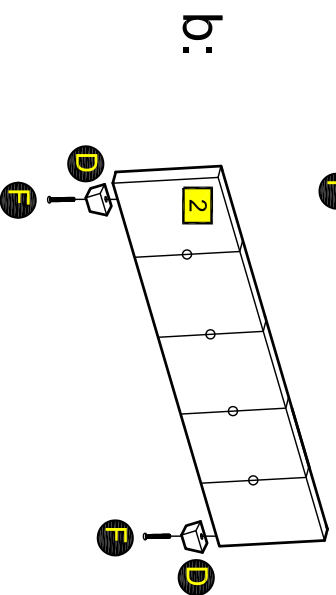
Step 1

Attaching legs

a: Insert Legs **D** into Headboard **1**, using Bolt **F**.



b: Insert Legs **D** into Footboard **2**, using Bolt **F**.



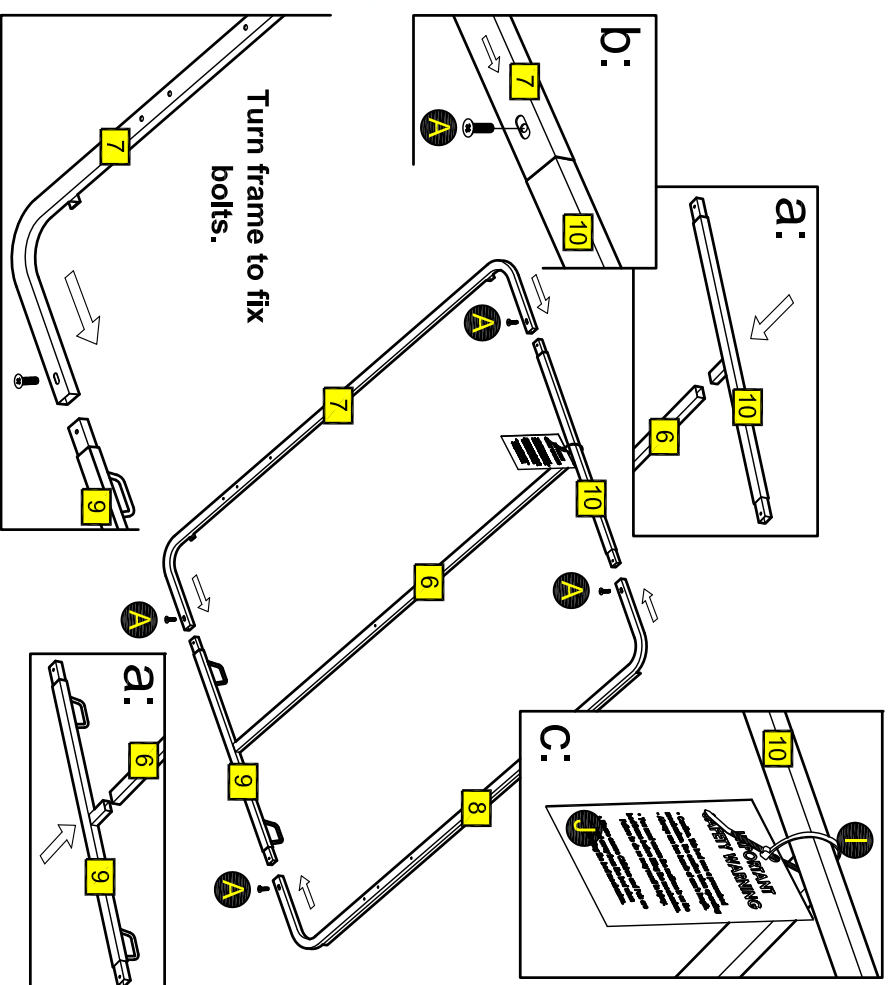
Step 2

Metal frame assembly

a: Insert Middle rail **6** into the Front rail **12** and Back rail **9**.

b: Connect the Side **7** & **8** to the Front rail **10** and Back rail **9** with Bolts **A**.

c: Fix Warning label **J** on the Front rail **10** using Cabletie **F**.



The Middle rails **6** and Side rails **7** & **8** must be positioned with the holes closer to the Back rail **9**.

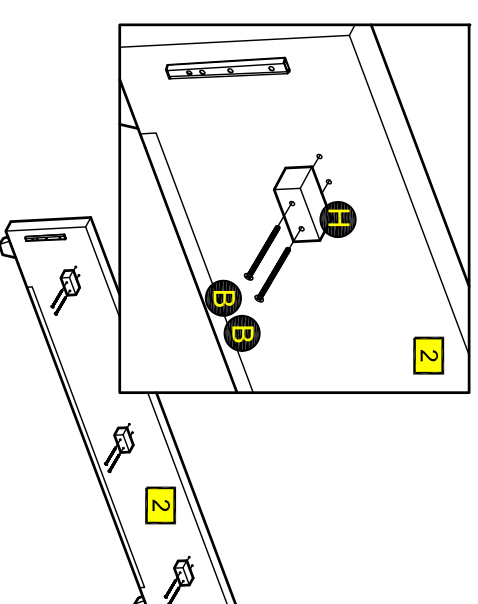
If you need help or have damaged or missing parts, call the **Customer Helpline: Argos = 0345 640 3030**

Assembly Instructions

Step 3

Attaching frame supports

Insert Frame supports **H** into Footboard **2** using Bolts **B**.



Step 4

Attaching side rails

Connect the Side rail **3** & **4** to Headboard **1** and Footboard **2** as seen in the picture.

