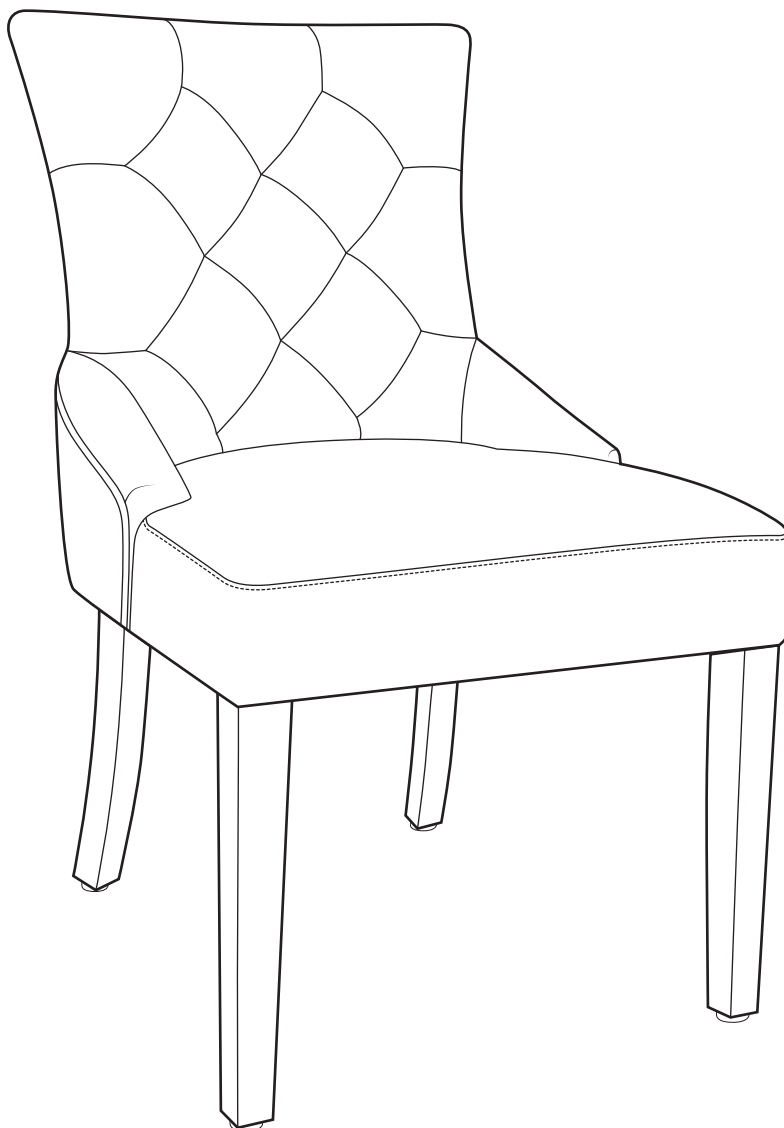


pin tuck oatmeal chair

Assembly Instructions - Please keep for future reference

532/3885

549/7591



Dimensions

Width - 56cm

Depth - 68cm

Height - 91cm

Important - Please read these instructions fully before starting assembly

If you need help or have damaged or missing parts, call the **Customer Helpline:**
Argos = 0345 640 0800



Safety and Care Advice

Important - Please read these instructions fully before starting assembly

- Check you have all the components and tools listed on the following pages.
- Remove all fittings from the plastic bags and separate them into their groups.
- Keep children and animals away from the work area, small parts could choke if swallowed.
- Make sure you have enough space to layout the parts before starting.

- During assembly do not stand or put weight on the product, this could cause damage.
- Assemble the item as close to its final position (in the same room) as possible.
- Assemble on a soft level surface to avoid damaging the unit or your floor.
- Parts of the assembly will be easier with 2 people.



• We do not recommend the use of power drill/drivers **for inserting screws**, as this could damage the unit. Only use hand screwdrivers.

- Unit weight: 10.5 kgs.
- Maximum safe weight of user: 110kgs.

Care and maintenance

- Only clean using a damp cloth and mild detergent, do not use bleach or abrasive cleaners.
- From time to time check that there are no loose screws on this unit.

- Do not stand on the chair.
- Do not use this chair as step ladder.
- This product should not be discarded with household

waste. Take to your local authority waste disposal centre.

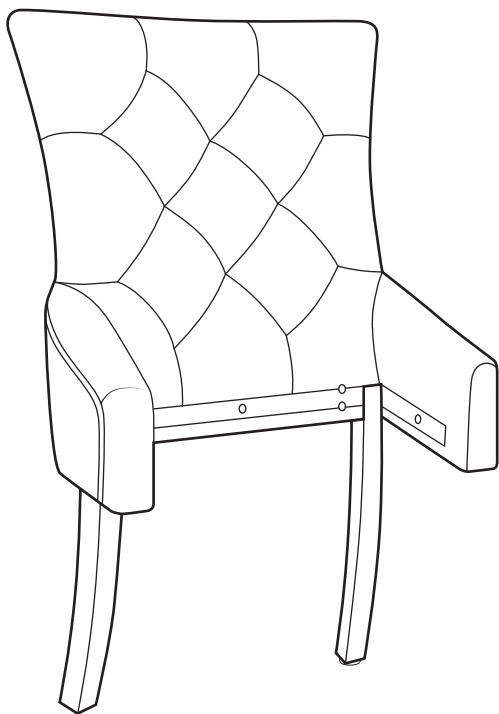
Handy Hints

- Assemble all parts and bolts loosely during assembly, only once the product is complete should you fully tighten the bolts.
- Regularly check and ensure that all bolts and fittings are tightend properly.

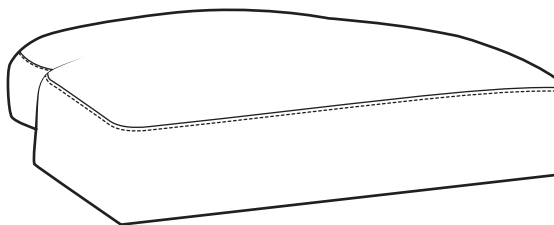
Components - Parts

If you have damaged or missing components, call the Customer Helpline: Argos = 0345 640 0800

Please check you have all the parts listed below



1 Backrest
(92 x 55.5 x 35cm)



2 Seat
(57 x 48 x 15cm)

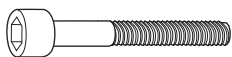
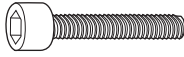






3 Leg x 2
(43.5 x 4.5 x 3.5cm)

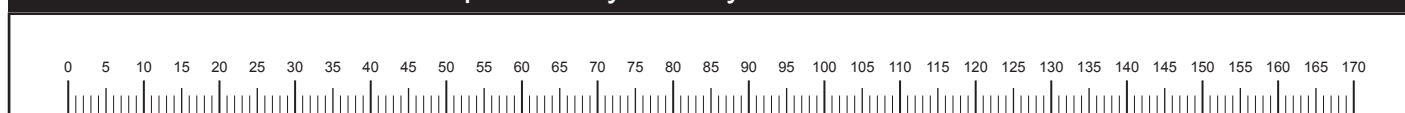
Components - Fittings

Please check you have all the fittings listed below

Note: The quantities below are the correct amount to complete the assembly. In some cases more fittings may be supplied than are required.

<p>A </p> <p>M8 x 65mm Bolt x 4</p>	<p>B </p> <p>M8 x 55mm Bolt x 7</p>	<p>C </p> <p>Spring washer x 11</p>
<p>D </p> <p>Flat washer x 11</p>	<p>E </p> <p>Foot pad x 4</p>	<p>F </p> <p>Allen key x 1</p>

Ruler - Use this ruler to help correctly identify the screws



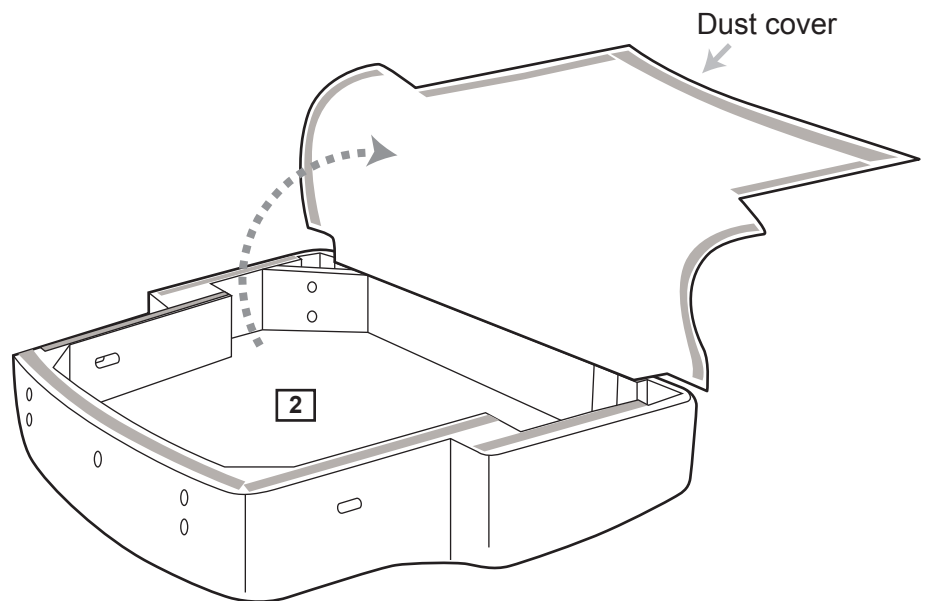
Assembly Instructions

Step 1

Opening dust cover

Place the seat **2** on a flat protected surface.

Carefully peel off dust cover of seat by pulling the cloth from the back side of the seat as shown.



Step 2

Attaching legs

Place the seat **2** upside down on a flat protected surface.

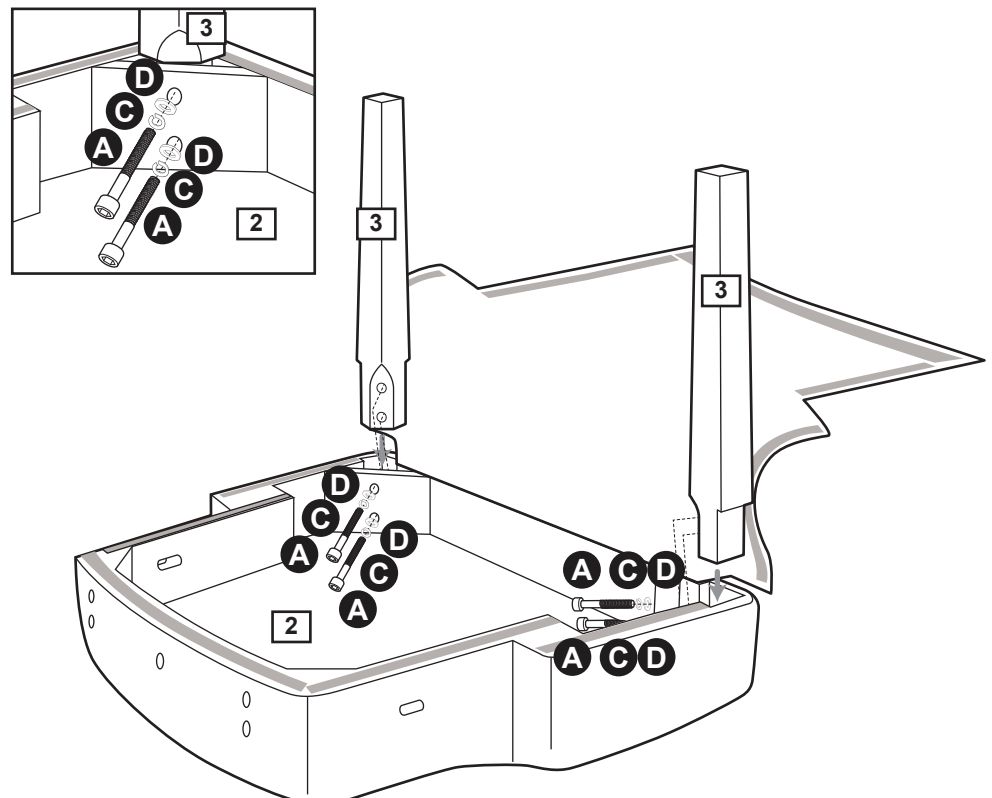
Insert the legs **3** into the holes of the seat as shown and fix using bolts **A**, spring washers **C** and washers **D**.



Important:

Fasten bolts using allen key **F** but do not fully tighten at this stage.

Use oval head of allen key on tight angles.



Assembly Instructions

Step 3

Attaching the seat

Place the backrest **1** on a flat protected surface as shown.

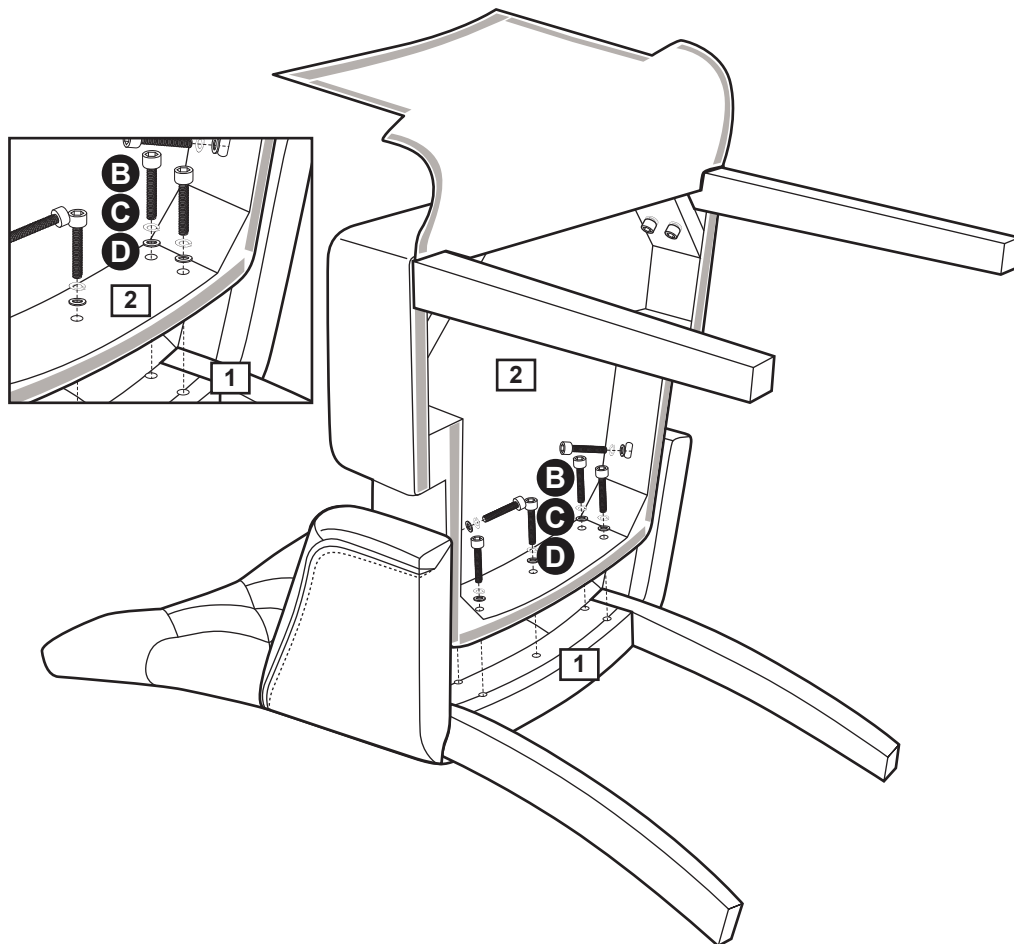
Position the seat **2** on the backrest as shown and fix using bolts **B**, spring washers **C** and washers **D**.



Important:

Fasten bolts using allen key **F** but do not fully tighten at this stage.

Use oval head of allen key on tight angles.

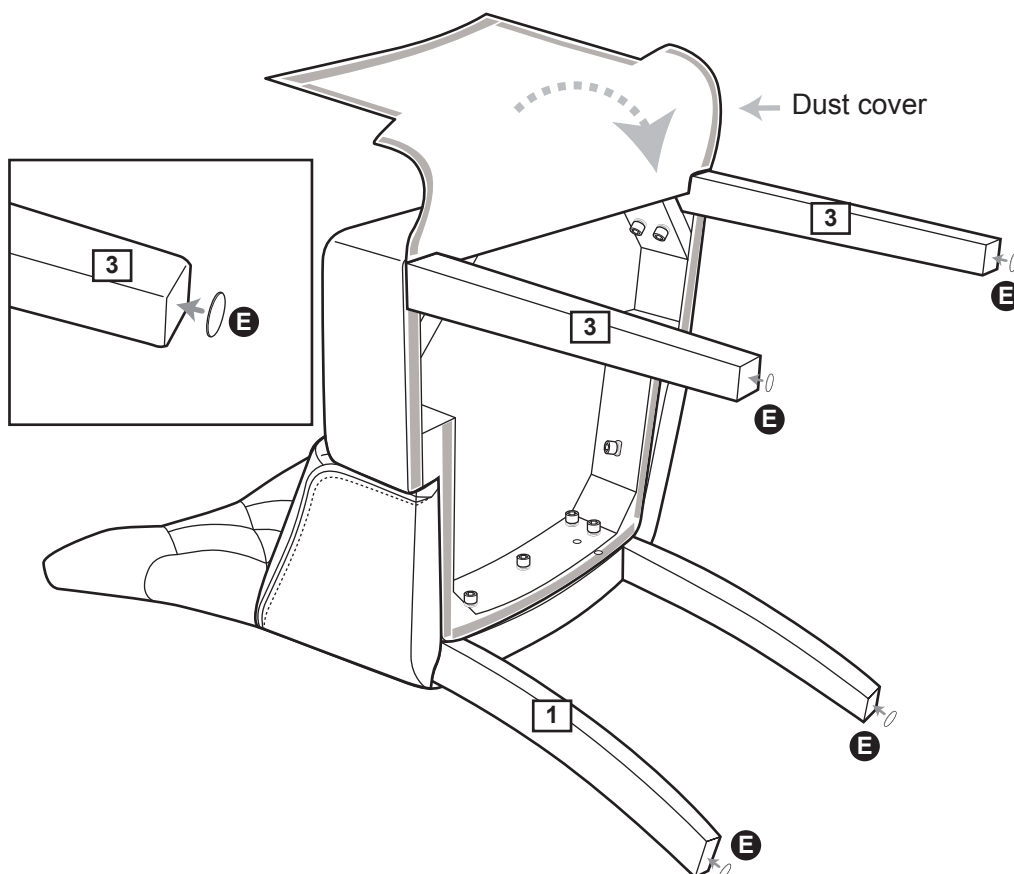


Step 4

Attaching dust cover

Attach the dust cover to seat as shown and fasten by sticking to edge of seat.

Remove backing from foot pads **E** and carefully position on the bottom of the legs **1** & **3** as shown.



Assembly Instructions

Step 5

Aligning & securing the legs

Carefully turn the chair upright and place on a flat surface.

a: Tighten all bolts using allen key **F**.

Note:

Use oval head of allen key on tight angles.

Note: This step is essential to prevent the chair from wobbling due to uneven legs.

b: Carefully sit on the chair and make adjustments to ensure the legs are flat even on the floor.

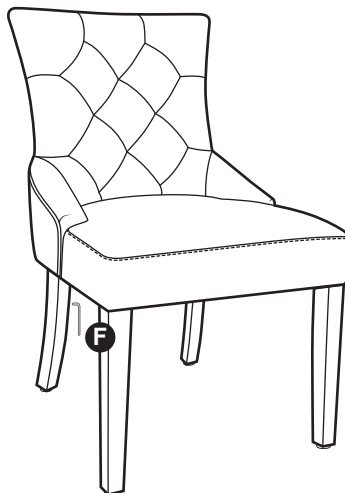
c: After the sitting test, re-tighten bolts again if any adjustment is needed.

Note: It is highly recommended to re-tighten all bolts after using the chair for 7 days.

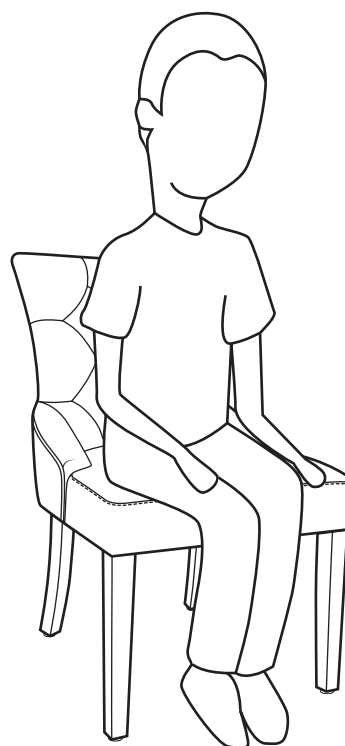
Note: Keep allen key to re-tighten bolts when required.

Assembly is complete.

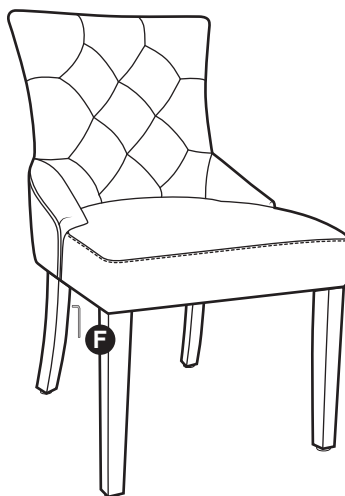
a:



b:



c:



If you need help or have damaged or missing parts, call the **Customer Helpline:**
Argos = 0345 640 0800