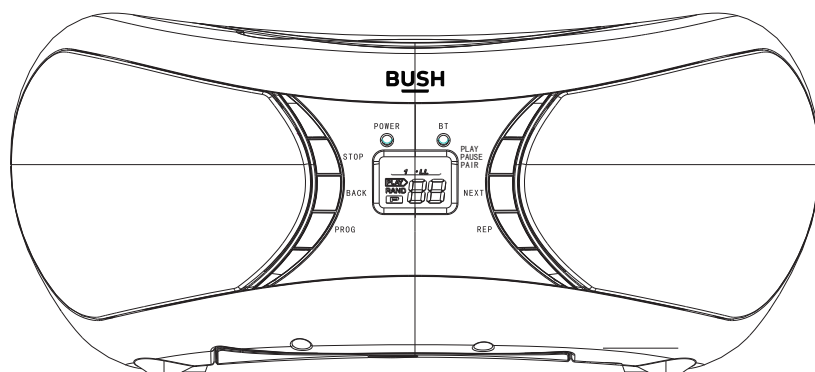


BUSH

Instruction manual

CD-78-BTFM





You'll soon be enjoying your new Bluetooth CD Boombox.

It all begins here, with your instructions. Don't worry, there's nothing too technical coming up. Just simple, step-by-step guidance to get you up and running quickly. Sound good? Then let's get started.

Help and Guidance

We're here to help you get the most from your Bluetooth CD Boombox. Should you require any guidance, a simple solution can often be found online at:

www.argos-support.co.uk

If you still require further assistance, call one of our experts on **0345 604 0105**

If you require any technical guidance or find that your product is not operating as intended, a simple solution can often be found in the **Troubleshooting**

Contents

1 Safety information

Safety information	6
--------------------	---

2 Getting to know your Bluetooth CD Boombox

Ready? Let's begin	10
Accessories	11
Connection	12
Inserting batteries	13
Auxiliary connection	14
Operating system	15

3 Using your Bluetooth CD Boombox

Inserting CD	17
Transferring files	18
Standard features	19
Advanced features	19
Care / maintenance	20

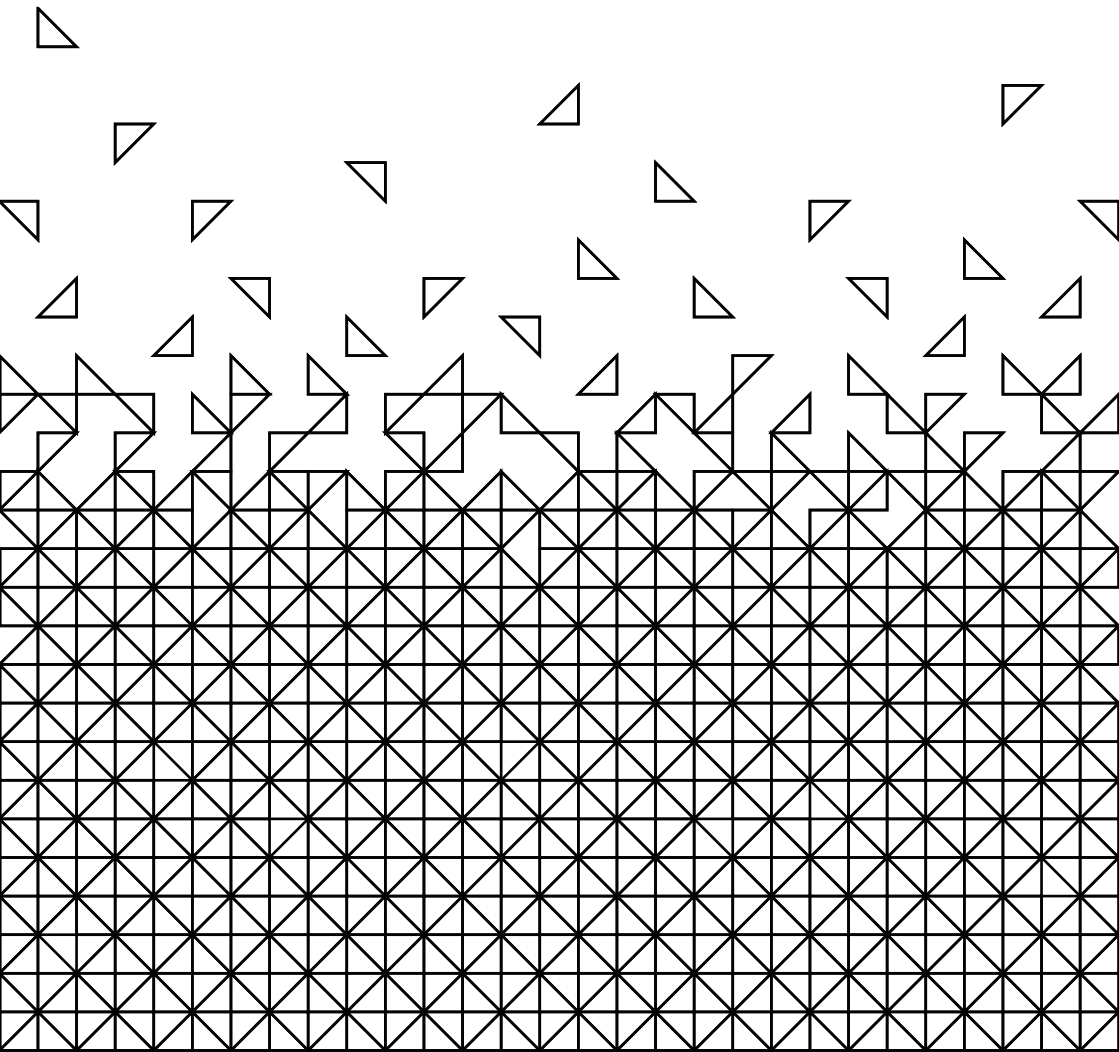
4 Other information

Technical specification	23
-------------------------	----

5 Product support

Troubleshooting	26
Help and assistance	27
Disposal	28
Guarantee	29

Safety information 1





Safety information

Important - Please read these instructions fully before installing or operating

Your Radio should be treated with care. The information below has been provided in the interest of safety and will help you to enjoy this product and the benefits it brings for many years.

- Keep the product and all its parts out of reach of small children.
- This product is not intended for use by persons (including children) with reduced physical, sensory or mental capabilities, or lack of experience and knowledge, unless they have been given supervision or instruction concerning the use of the appliance by a person responsible for their safety.
- Keep it dry. Avoid exposure to precipitation, humidity and liquids which could all affect the product circuitry
- Do NOT leave it in high temperatures as electronic devices and plastic parts may warp in heat.
- Do NOT leave it in low temperatures as moisture can form inside the product, which may damage the circuit board.
- Do NOT block or cover slots, holes or openings on the product by placing on soft furnishings such as carpets, rugs or beds as these are provided for functionality and/or ventilation to ensure safe operation of the product
- Do NOT store in dusty or dirty areas.
- Do NOT attempt to open the product. This product does not contain any user serviceable parts. Unauthorised handling of the device may damage it and will void your warranty.
- Do NOT use your Radio near emergency/intensive care medical equipment; if you have a pacemaker fitted or during an electrical storm.

If you require any technical guidance or find that your product is not operating as intended, a simple solution can often be found in the **Troubleshooting**

- If the Radio will not be used for a long period of time, make sure that all of the batteries are removed from the battery compartment.
- Do NOT use harsh chemicals, cleaning solvents or detergents to clean the product. Wipe with a damp (not wet) soft cloth to clean.

WARNING:



To prevent possible hearing damage, do not listen to this radio at high volume levels for long periods of time.



The exclamation point within an equilateral triangle is intended to alert the user to the presence of important operating and maintenance (servicing) instructions in the literature accompanying the appliance.



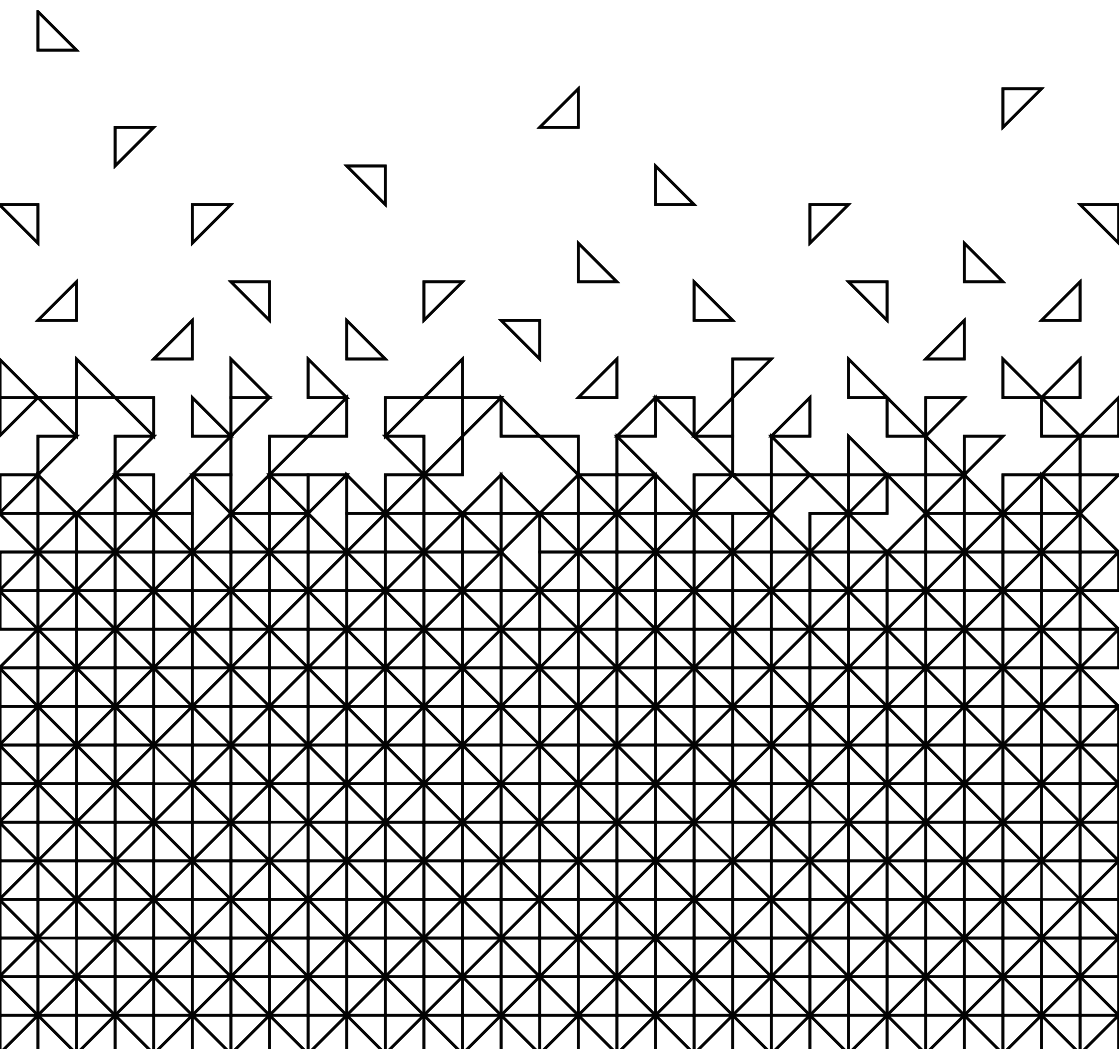
Please read these instructions fully before installing or operating



The lightning flash with arrowhead symbol, within an equilateral triangle, is intended to alert the user to the presence of uninsulated "dangerous voltage" within the product's enclosure that may be of sufficient magnitude to constitute a risk of electric shock to persons

Getting to know your Bluetooth CD Boombox

2



Getting to know your Bluetooth CD Boombox

You'll be up and running in no time

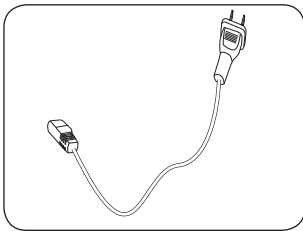
Ready? Let's begin...

Please read these instructions carefully. They contain important information which will help you get the best from your product and ensure safe and correct installation and operation.

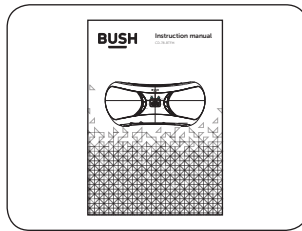
If you require any further assistance, our technical experts are happy to help. For full details, refer to the product support section at the end of these instructions.

Accessories

1. AC power cord
2. Instruction manual



Accessory



Accessory

Fig 1.

If you require any technical guidance or find that your product is not operating as intended, a simple solution can often be found in the **Troubleshooting**

Getting to know your Bluetooth CD Boombox

You'll be up and running in no time

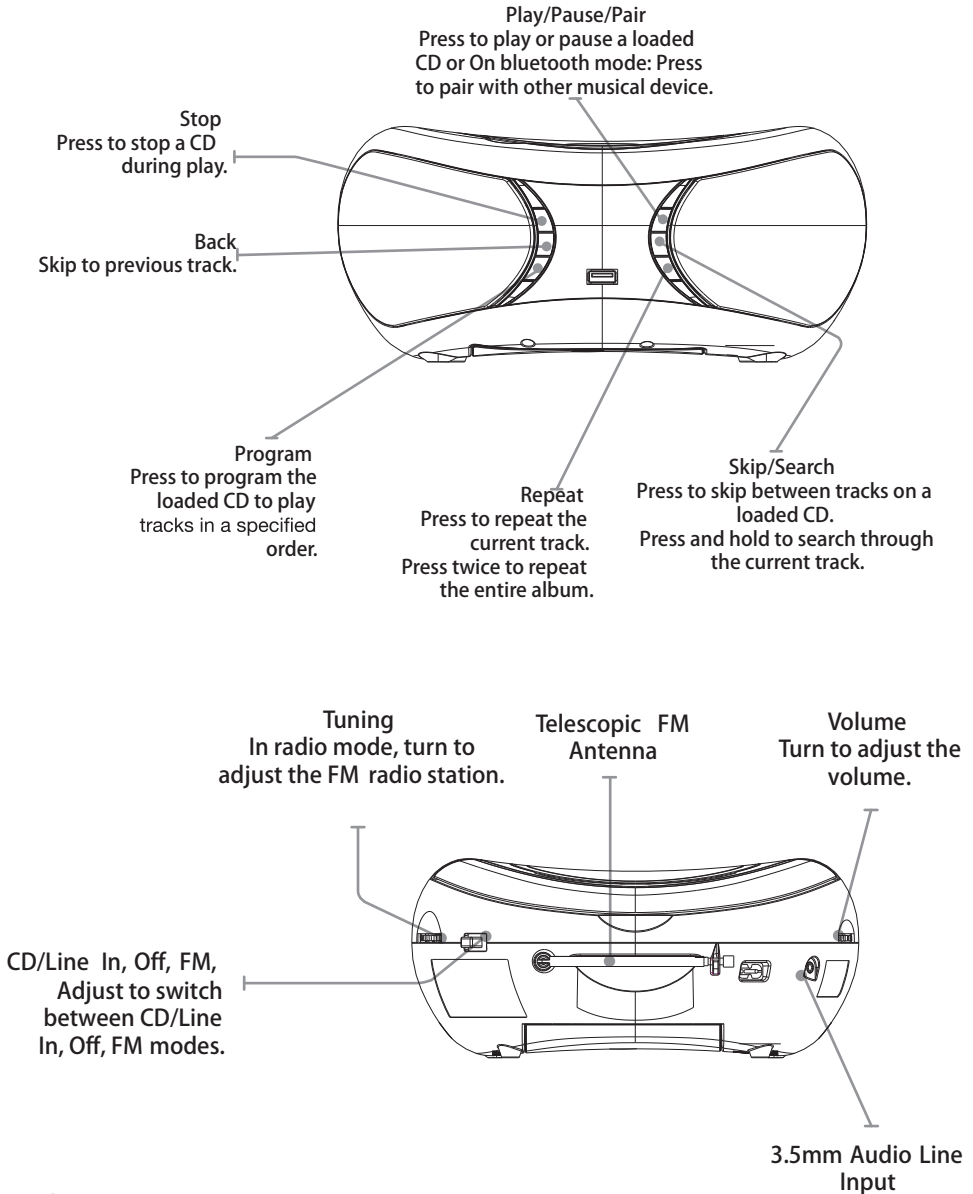


Fig 2.

section of these instructions, or online at www.argos-support.co.uk If you still require further assistance, call one of our experts on 0345 604 0105.

Getting to know your Bluetooth CD Boombox

You'll be up and running in no time

Connection

Please consider carefully where your boombox will be situated and make sure that it is:

- on a flat and stable surface
- within 1.4 metres of a power socket
- where you can fully extend the wire radio aerial
- at least 1 metre away from other electrical appliances to avoid interference.

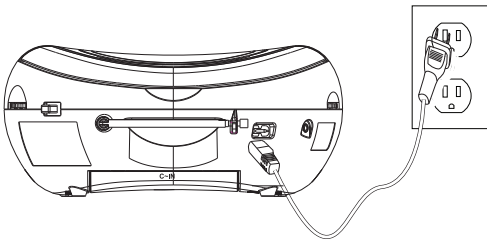


Fig 3.

1. Unwind the power cable from the back of the boombox.
2. Extend the wire radio aerial. A vertical position is recommended for maximum signal strength.
3. Plug the mains power plug into the mains power wall socket and switch on (Fig3) . The red power LED to the left of the display will light up.

If you require any technical guidance or find that your product is not operating as intended, a simple solution can often be found in the **Troubleshooting**

Getting to know your Bluetooth CD Boombox

You'll be up and running in no time

Power connection / Inserting batteries (optional)

Before inserting the batteries (not included), please ensure that the Boombox is switched off (slide the Power/Mode switch at the back of the Boombox to 'Off') and is unplugged from the mains power supply.

1. Underneath the Boombox, press in the two battery compartment tabs and pull up to remove the battery compartment cover.
2. Insert 8 x 1.5V C-size (UM-2) batteries(Fig4), making sure to note the '+' and '-' markings and position the batteries the correct way around .
3. Replace the battery compartment cover, making sure that it 'clicks' home. .

Note: When the battery power is low, you will notice that the audio quality will be a little distorted and the volume will be quieter. Please switch off the Boombox and replace the batteries.

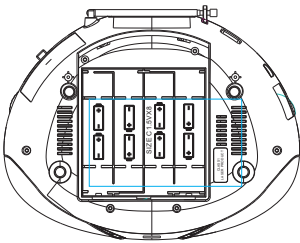


Fig 4.

Getting to know your Bluetooth CD Boombox

You'll be up and running in no time

Auxiliary connection

Using a 3.5mm audio input connection cable (not included), allows for a quick and easy connection to an external sound source.

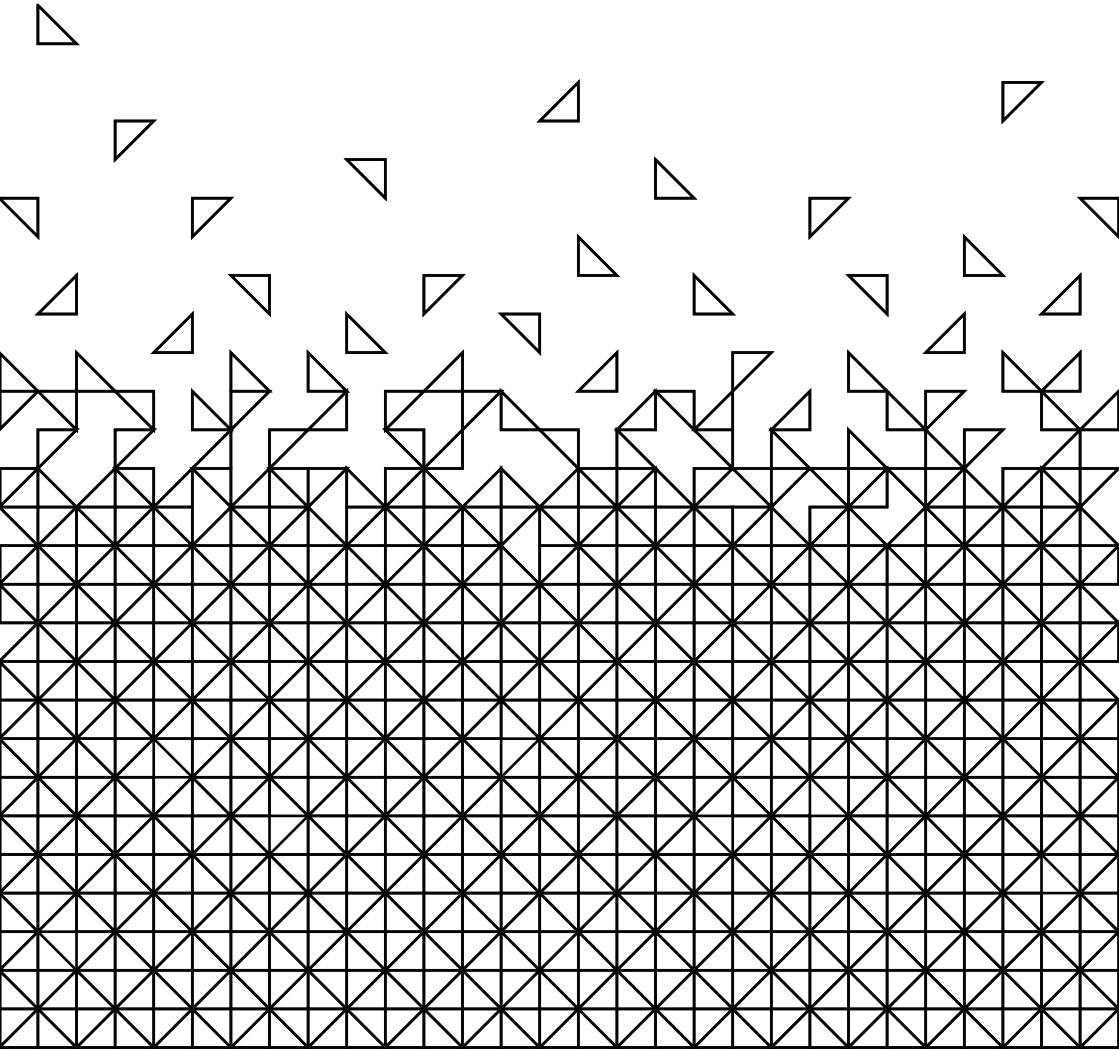
1. Connect one end of a 3.5mm audio connection cable to the headphone or auxiliary out socket of your secondary device, connect the other end to the Line in socket on the back of your Boombox.
2. Slide the Power/Mode switch on the back of the Boombox to CD/Line in.
3. Press the Play button on your external device to start playback through the Boombox speakers.
4. To gain optimal volume levels, adjust the volume level on both the secondary device and on the Boombox.

Note: It is recommended that you unplug the audio cable from the Line in socket after you have finished listening to your external device, as the CD player cannot be used whilst an audio cable is connected. Please wait for approximately 15 seconds after unplugging the audio cable, for the Boombox to return to CD mode.

If you require any technical guidance or find that your product is not operating as intended, a simple solution can often be found in the **Troubleshooting**

Using your Bluetooth CD Boombox

3



Using your Bluetooth CD Boombox

Let's get started

Inserting a CD

Check that your Boombox is in CD mode. If you are not already in CD mode, slide the switch on the back of the Boombox to CD/Line in.

1. Lift up the lid of the CD player on the front edge, where there is a scooped recess.

Note: On first use, please remove the protective card from the CD compartment.

2. Place an audio CD, label side up, into the CD compartment. Please ensure that you line up the hole in the centre of the CD, with the central spindle and press into place.
3. Close the lid of the CD player.

Playing a CD

Your Boombox will play audio CDs as well as CD-Recordable (CD-R) and CD-Rewritable (CD-RW) CDs. It is not possible to play DVD or computer CDs on your Boombox.

Note: If you stop or pause playing a CD for 15 minutes, your Boombox will switch off automatically.

- **Play**
Press and release the **Play** button. The first track will begin to play.
- **Pause**
Press and release the **Play** button. The CD will continue to rotate in pause mode .
Press and release the **Play** button again to continue to play the track/CD.
- **Next track:**
Press and release the **Next** button.
- **Previous track:**
Press and release the **Back** button.

If you require any technical guidance or find that your product is not operating as intended, a simple solution can often be found in the **Troubleshooting**

Using your Bluetooth CD Boombox

Let's get started

- Fast forward within a track:
Press and hold the **Next** button.
- Fast backward within a track:
Press and hold the **Back** button.
- Stop:
Press and release the **Stop** button.
- Repeat:
Press and release the **Repeat** button, the current track will be repeated.
Press the **Repeat** button again to repeat all of the tracks on the CD.
Continuously press and release the **Repeat** button to cycle through the available options of Repeat (current track), Repeat all (all the tracks on the CD) or Repeat off.

Programmed play mode

In programmed play mode, you can programme the play order of the tracks on your CD. You can program up to 20 tracks in total.

1. In CD mode, with the CD you wish to programme in the CD compartment and stopped, press and release the **Program** button.
2. Use the **Back** or **Next** buttons to go to the track number that you would like to program to play first. Press and release the **Program** button to confirm.
3. you can use the **Back** or **Next** buttons to select the second track. Continue to select each track as in Step 2 above, up to a total of 20 tracks. Press and release the Program button again to confirm the last track in the programmed play mode list.
4. Press and release the **Play** button to play the programmed tracks.
5. To exit programmed play mode, press and release the **Stop** button twice.

Using your Bluetooth CD Boombox

Let's get started

Remove a CD

1. Lift up the lid of the CD player on the front edge, where there is a scooped recess.
2. Put your thumb on the central spindle and put your fingers under the outside edge of the CD and lift off and remove the CD from the compartment.
3. Close the lid of the CD player.

Caring for CDs

- Do NOT touch the playback side of the CD.
- Do NOT attach paper or tape or any other material to the disc.
- Fingerprints and dust on the disc will cause sound deterioration. Wipe the disc from the centre outwards with a soft cloth. Always keep the disc clean.
- If dust or marks cannot be removed with a soft cloth, wipe the disc lightly with a slightly damp soft cloth and then wipe with a soft dry cloth.
- Do NOT use any type of solvent, commercially available cleaners or antistatic spray for vinyl as it may damage the disc.
- Do NOT store discs in a place subject to direct sunlight or near a heat source.
- Do NOT store discs in a place subject to moisture or dust, such as a bathroom or near a humidifier.
- Always store discs vertically in a case, stacking or placing objects on discs may cause warping.

If you require any technical guidance or find that your product is not operating as intended, a simple solution can often be found in the **Troubleshooting**

Using your Bluetooth CD Boombox

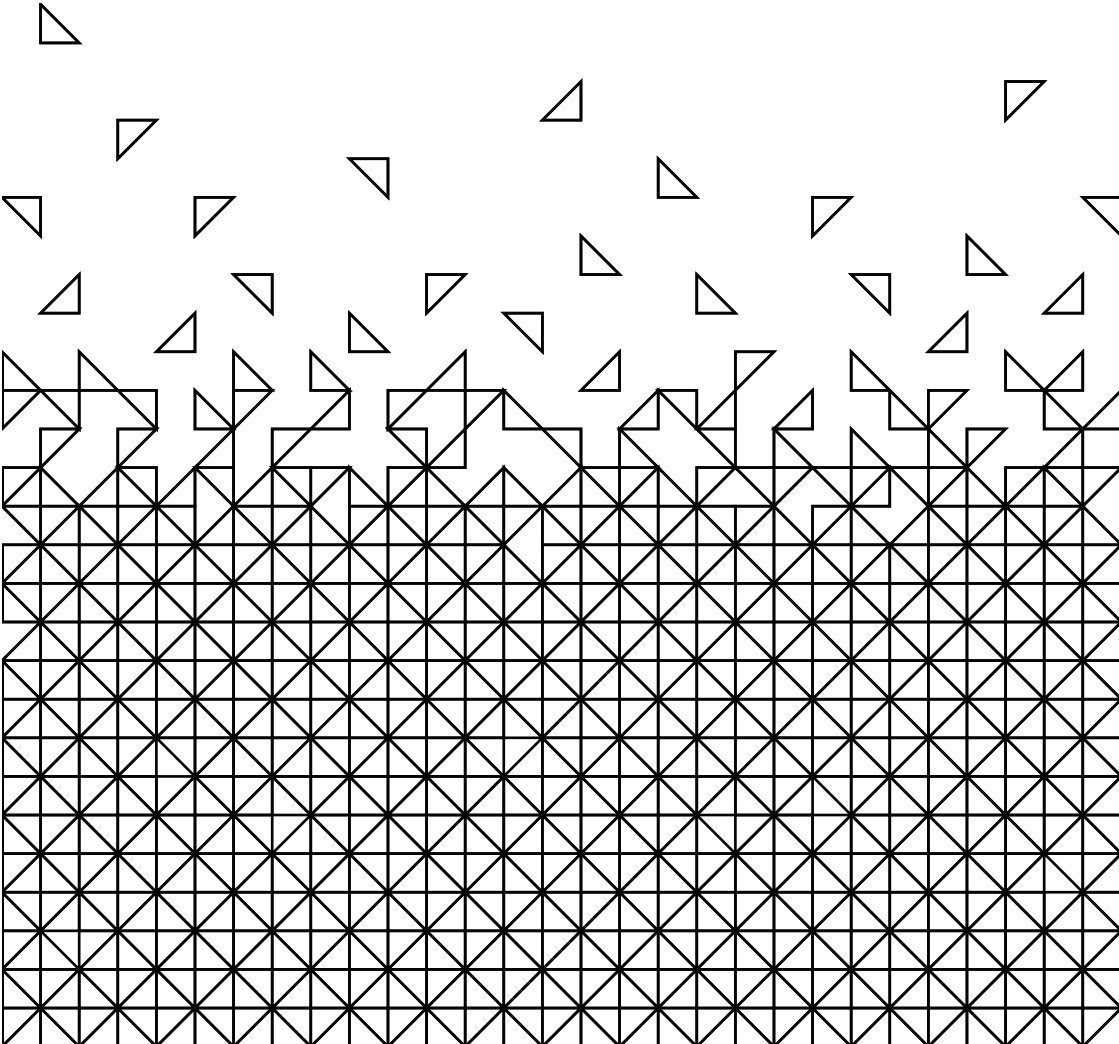
Let's get started

FM Radio

Note: When using the FM radio, the red power LED will light up.

1. Please make sure that the wire radio aerial on the back of the Boombox is fully extended. A vertical position is recommended for maximum signal strength.
2. Slide the switch on the back of the Boombox to FM as appropriate.
3. Use the tuning wheel on the right hand side of the Boombox to tune to each radio station.

Other information 4



Other information

Helpful technical information

Specification

Power adaptor: Input AC230-240V/50Hz

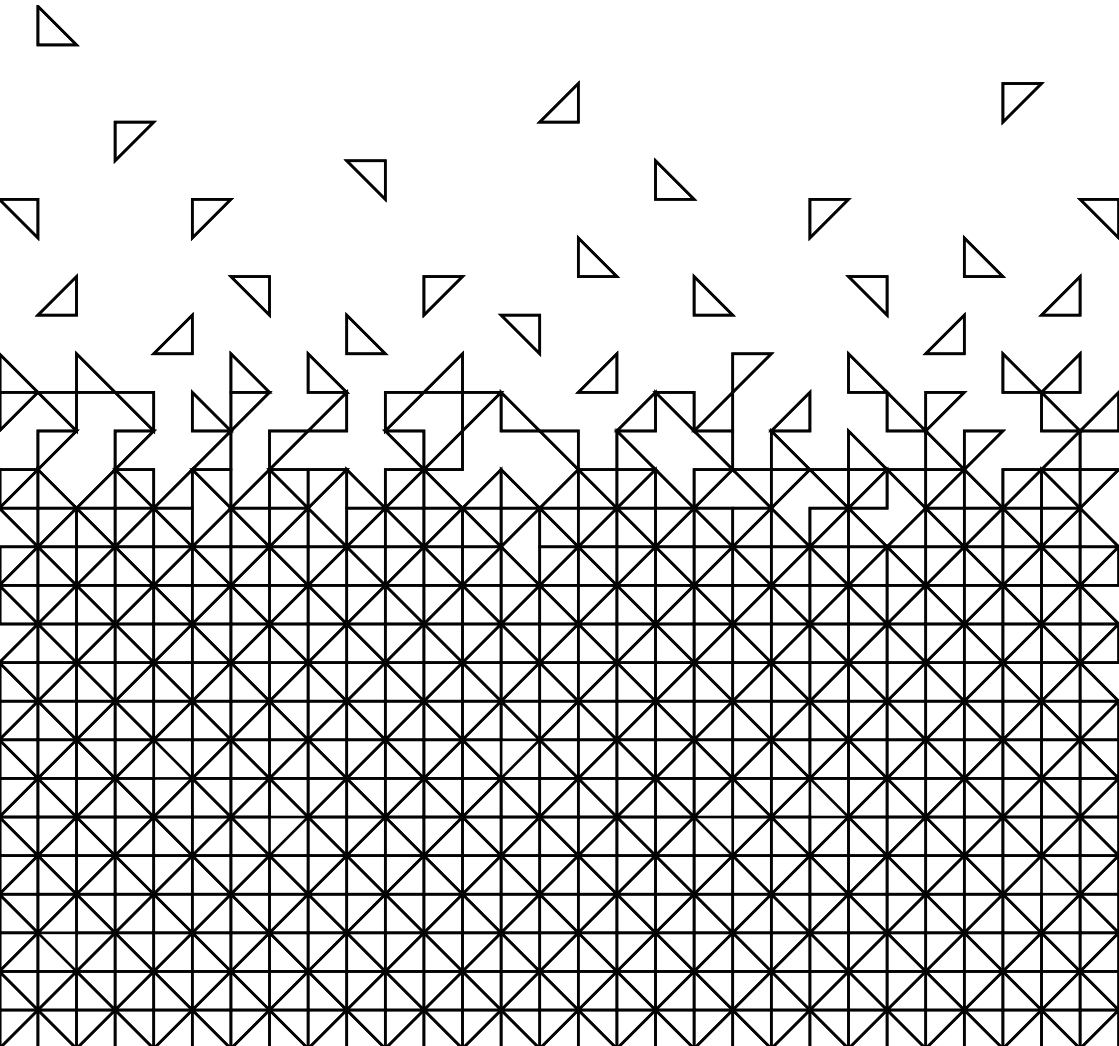
Batteries: 8 x 1.5V C size (UM-2)
(Optional, not supplied)

Output: 1 x 2W RMS

Frequency range: FM: 88 MHz to 108 MHz

If you require any technical guidance or find that your product is not operating as intended, a simple solution can often be found in the **Troubleshooting**

Product support 5



Product support

Help is always at hand

Troubleshooting

CD does not play

- Check that you are in CD mode. If you are not already in CD mode, slide the switch on the back of the Boombox to CD/Line in.
- If you have an audio cable plugged into the Line in socket on the Boombox, you must unplug this before you can use the CD player. After unplugging the audio cable, please wait for approximately 15 seconds for the Boombox to return to CD mode.
- Take out the CD and check that it is not marked or scratched. Damaged CDs cannot be played in the Boombox or may skip or not rotate correctly in the CD compartment.
- Please check that you are using an original audio CD and not a copy. Often copied CDs will not play.

The function buttons do not respond.

- Check that mains power wall socket is switched on.
- Slide the switch on the back of the Boombox to the mode you would like to use. The red power LED to the left of the display will switch on.
- Check that you are trying to use the function buttons for the mode that you are in.
- If you are using batteries, they may be exhausted and need to be replaced.
- If you are using mains power, unplug the mains power. Leave the Boombox for 3 minutes and then reconnect the power.

Radio reception is poor.

- Check that you have extended the wire radio aerial in a vertical position.
- Move the tuning wheel slowly to tune to each radio station.
- Check there are no other electrical appliances within 1 metre of your Boombox, which may be causing interference.
- Try moving your Boombox to another location.

If you require any technical guidance or find that your product is not operating as intended, a simple solution can often be found in the **Troubleshooting**

Product support

Help is always at hand

Help and assistance

If you require any technical guidance or find that your Bluetooth CD Boombox is not operating as intended, a simple solution can often be found in the **Troubleshooting** section of these instructions or online at www.argos-support.co.uk

If you still require further assistance, call one of our experts on **0345 604 0105** . To help give us give you a fast and efficient service please have the following information ready:

Model Ref.

You can find these on the rating plate - a small information panel (usually a sticker or metal plate) on the rear of your product.

Serial number

Date of purchase

This will be shown on your receipt

Local call rates applies*

Lines open 8am-7pm Monday to Saturday and 10am-4pm Sunday.

*Calls to Argos enquiry lines may attract a charge and set up fee from residential lines depending on your call plan/tariff. Mobile and other providers costs may vary, see www.bt.com/pricing for details.

For security and training purposes, telephone calls to and from customer service centres may be recorded and monitored. Calls from Republic of Ireland will attract international call charges.

section of these instructions, or online at www.argos-support.co.uk If you still require further assistance, call one of our experts on **0345 604 0105**.

Product support

Help is always at hand

Disposal

The symbol on the product or its packaging indicates that this product may not be treated as household waste. Instead it should be handed over to the applicable collection point for the recycling of electrical and electronic equipment. By ensuring this product is disposed of correctly, you will help prevent potential negative consequences for the environment and human health, which could otherwise be caused by inappropriate waste handling of this product. For more detailed information about recycling this product, please contact your local council office your household waste disposal service or the shop where the product was purchased.



If you require any technical guidance or find that your product is not operating as intended, a simple solution can often be found in the **Troubleshooting**

Product support

Help is always at hand

BUSH

Call us now and activate your 12 month guarantee

Thank you for choosing Bush. Your new product is guaranteed against faults and breakdowns for 12 months. Don't forget to register it with us today so we can provide you with our best possible after-sales service and useful updates.

www.bushregistration.co.uk

FREEPHONE*

0800 597 8548

Lines are open 8am - 8pm, 365 days a year. *Calls may be recorded and monitored.

Your Bush Guarantee

This product is guaranteed for twelve months from the date of original purchase. Any defect that arises due to faulty materials or workmanship will be repaired free of charge (or if applicable the product will be replaced or the purchase price refunded) where possible during this period by the dealer from who your purchased the unit.

The guarantee is subject to the following provisions:

- The guarantee does not cover accidental damage, misuse, cabinet parts, knobs or consumable items.
- The product must be correctly installed and operated in accordance with the instructions contained in the manual.
- It must be used solely for domestic purposes. The guarantee will be rendered invalid if the product is re-sold or has been damaged by inexpert repair.
- Specifications are subject to change without notice.
- Bush disclaim any liability for loss or damage arising from the breakdown of the product.
- This guarantee is in addition to and does not diminish your statutory or legal rights.

Important Data Protection Information

If you provide us with information about another person, you confirm that they have appointed you to act for them, to consent to the processing of their personal data including sensitive personal data and that you have informed them of our identity and the purposes (as set out in the Important Data Privacy notice displayed overleaf) for which their personal data will be processed.

You are entitled to ask for a copy of the information we hold about you (for which we may charge a small fee) and to have any inaccuracies in your information corrected.

For quality control and training purposes, we may monitor or record your communications with us.

If your personal details change, if you change your mind about any of your marketing preferences or if you have any queries about how we use your information, please let us know by contacting our Data Protection **Officer, Domestic & General, Leicester House** 17 Leicester Street, Bedworth, Warwickshire CV12 8JP.

Guarantor: Argos Limited - 489 - 499 Avebury Blvd. - Milton Keynes - MK9 2NW

section of these instructions, or online at www.argos-support.co.uk If you still require further assistance, call one of our experts on **0345 604 0105**.

BUSH

A decorative background pattern consisting of a grid of squares, each divided into four triangles by a diagonal line. The pattern is light gray and covers the lower two-thirds of the page.

Contact:

www.argos-support.co.uk

Helpline: 0345 604 0105