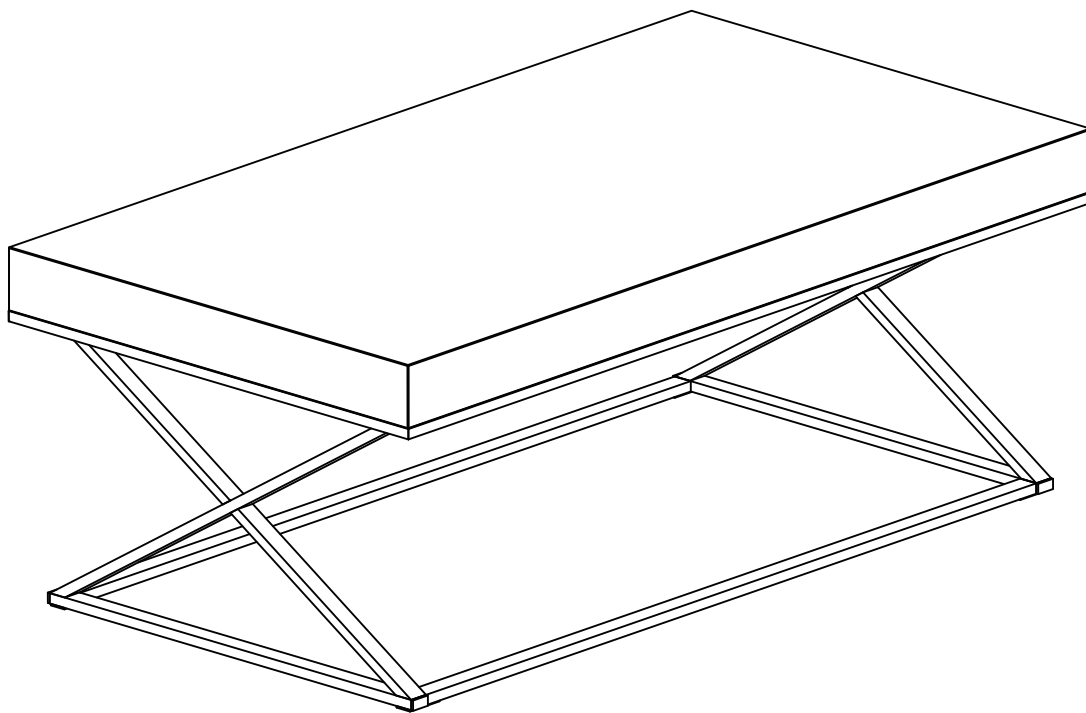


Mirror Top Coffee Table

Assembly Instructions - please keep for future reference

545/9869



Dimensions

Width - 120cm

Depth - 65cm

Height - 45cm

Important – Please read these instructions fully before starting assembly

If you need help or have damaged or missing parts, call the Customer Helpline: 03456 400800



Safety and Care Advice

Important – Please read these instructions fully before starting assembly

- Check you have all the components and tools listed on the following pages.
- Remove all fittings from the plastic bags and separate them into their groups.
- Keep children and animals away from the work area, small parts could choke if swallowed.
- Make sure you have enough space to layout the parts before starting.

- During assembly do not stand or put weight on the product, this could cause damage.
- Assemble the item as close to its final position (in the same room) as possible.
- Assemble on a soft level surface to avoid damaging the unit or your floor.
- Parts of the assembly will be easier with 2 people.



- To reduce the likelihood of damaging your product please ensure that your power drill is set on a low torque setting.

Care and maintenance

- Only clean using a damp cloth and mild detergent, do not use bleach or abrasive cleaners.
- From time to time check that there are no loose screws on this unit.
- This product should not be discarded with household waste. Take to your local authority waste disposal centre.

Handy Hints

- Assemble all parts and bolts loosely during assembly. Only once the product is complete should you fully tighten the bolts.
- Regularly check and ensure that all bolts and fittings are tightened properly.

Mirror Safety

Mirror Safety

- Keep these instructions for future reference
- imported by:
Argos Ltd
489-499 Avebury Boulevard.
Saxon Gate West.
Central Milton Keynes
MK9 2t4W

- If the mirror is chipped or broken: stop using the product and consult the Manufacturer or Supplier
- Batch No:524812
- Date of Manufacture: May. 2016
- Type of mirror used: 5mm mirror

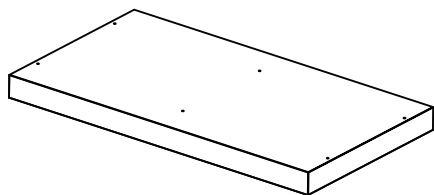
Warning:

- (a) Do not place very hot or very cold items on the mirror surface(s) unless adequately thick table mats are used to prevent such items from coming into contact with the mirror.
- (b) Do not sit or stand upon the mirror surface(s).
- (c) Do not use the mirror as a chopping surface. Do not strike the mirror with hard or pointed items.
- (d) When cleaning mirror panels use a damp cloth or leather with washing up liquid or soft soap if necessary, do not use washing powders or any other substance containing abrasives since these substances scratch mirror.

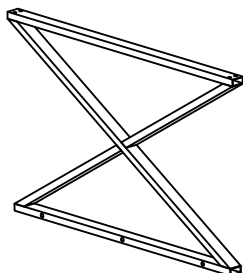
Components - Panels

If you have damaged or missing components, call the Customer Helpline: 03456 400800

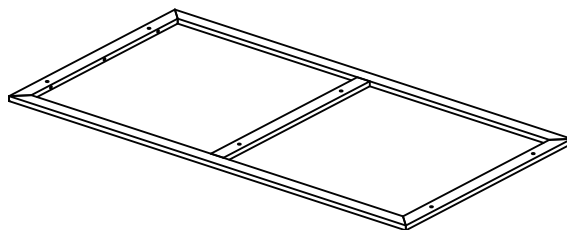
Please check you have all the panels listed below



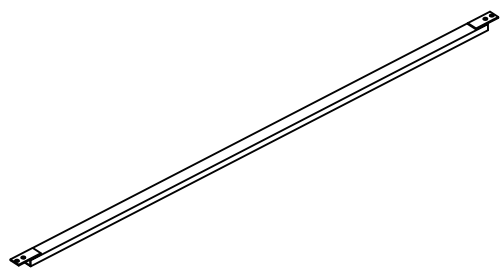
1 Mirror Desktop x 1
(120(w)cm x 65(d)cm)



2 Side frame x 2
(37(h)cm x 58.8(d)cm)



3 Frame x 1
(120(w)cm x 65(d)cm)



4 Supportbar x 2
(1.3/2.6(w)cm x 114.5(h)cm)

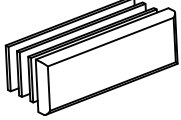
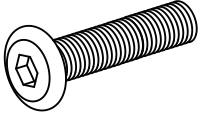
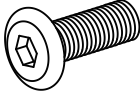
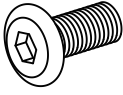
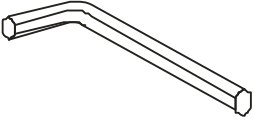



Components - Fittings

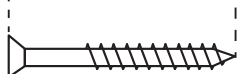
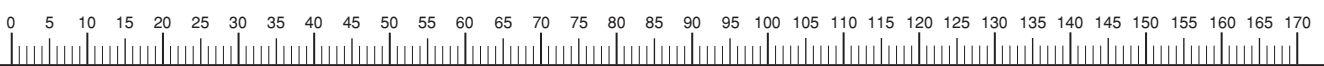
If you have damaged or missing components, call the Customer Helpline: 03456 400800

Please check you have all the fittings listed below

Note: The quantities below are the correct amount to complete the assembly. In some cases more fittings may be supplied than are required.

<p>A</p>  <p>Plastic plugs x 8</p>	<p>B</p>  <p>53mm Bolt x 6</p>	<p>C</p>  <p>25mm Bolt x 6</p>	<p>D</p>  <p>15mm Bolt x 8</p>
<p>E</p>  <p>Allen Key x 1</p>	<p>F</p>  <p>Leg pad x 4</p>		

Ruler – Use this ruler to help correctly identify the screws

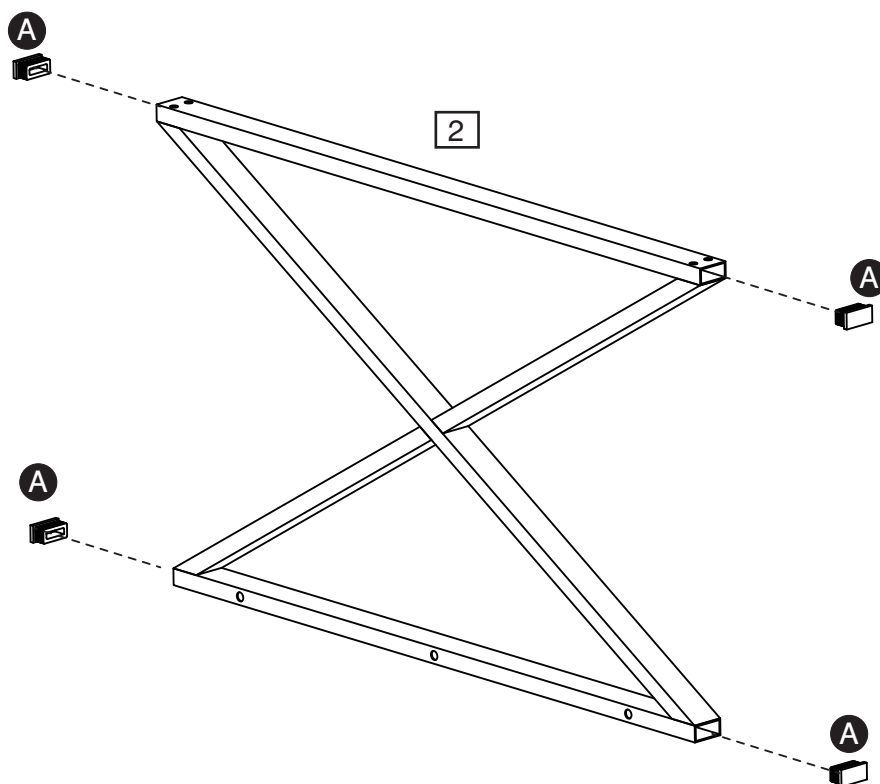


The screws length is measured from the head to the point(30mm screw shown).

Assembly Instructions

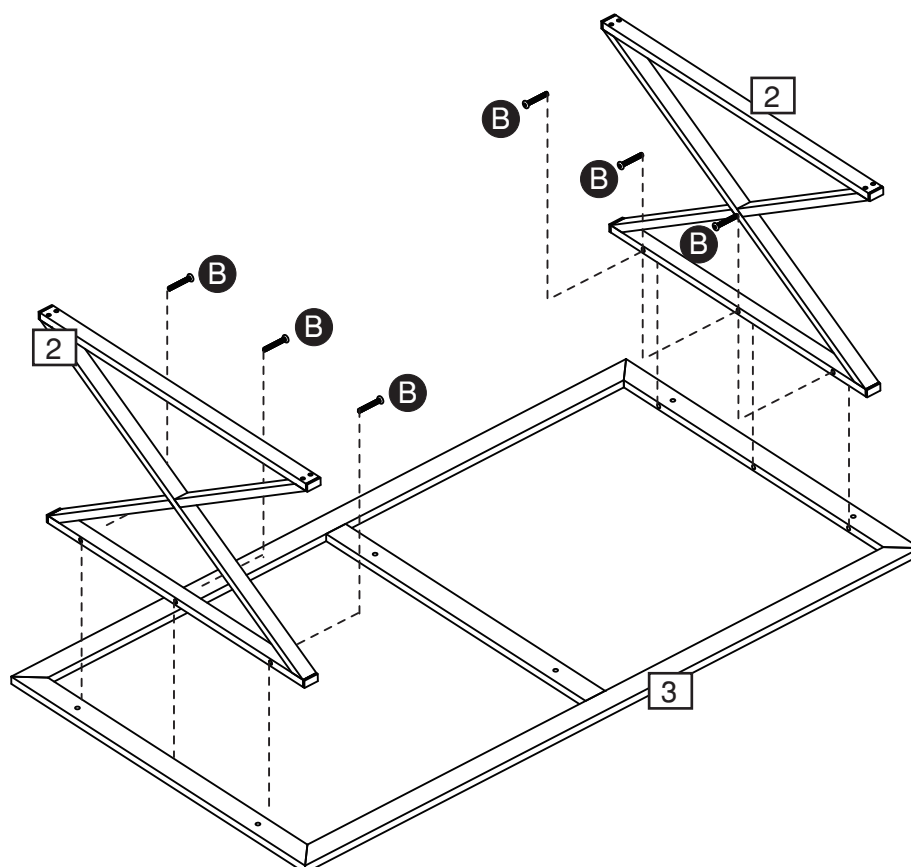
Step 1

Fitting Plastic Plug
Insert plastic plug **A** into
side frames **2**.



Step 2

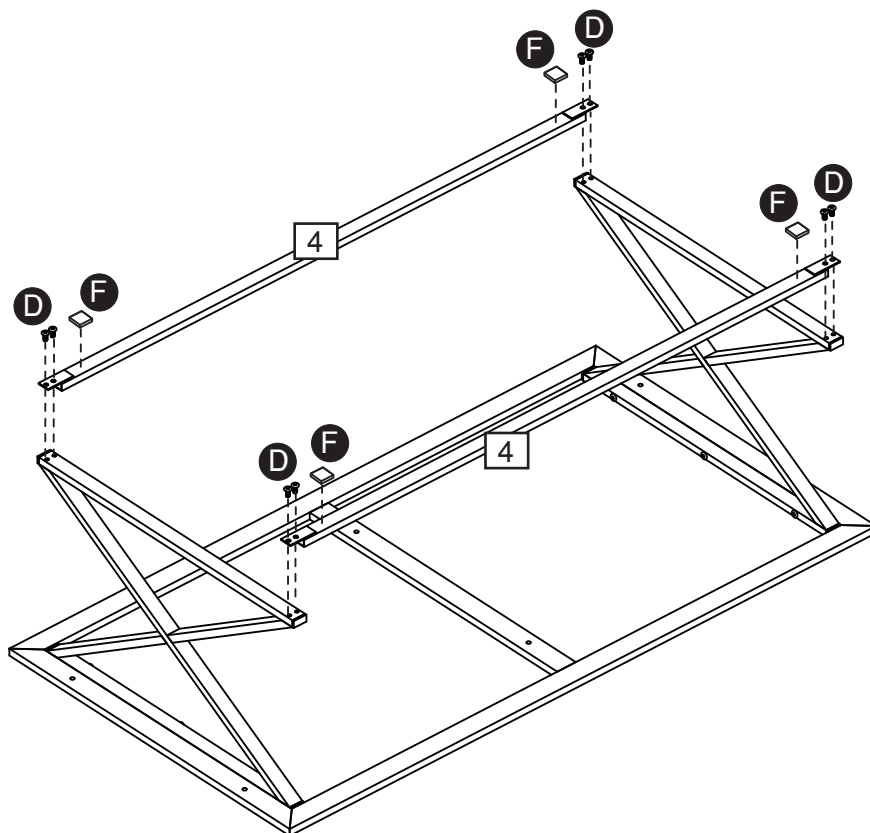
Fitting Top Frame
Attach Top frame **3** and
side frames **2** using
bolts **B**.



Assembly Instructions

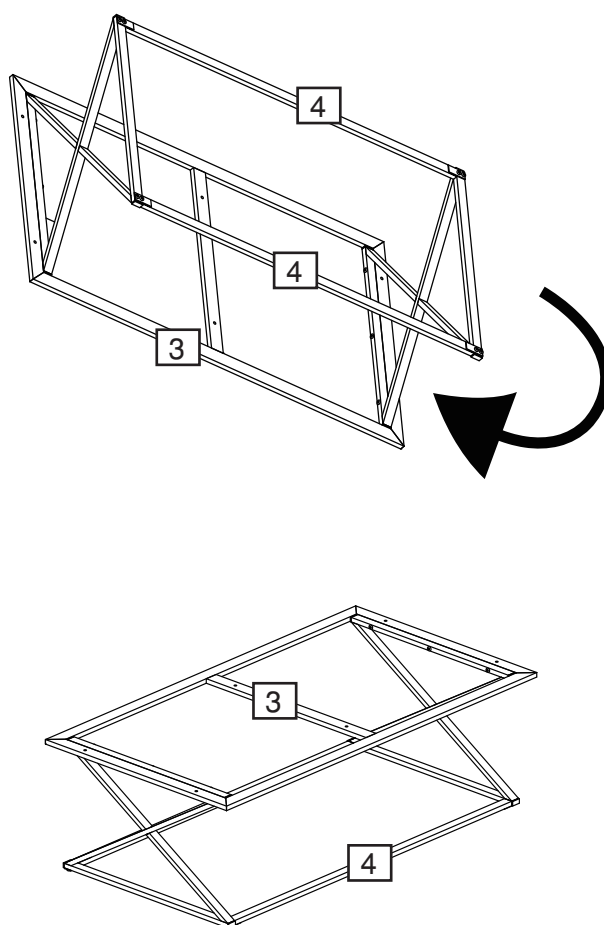
Step 3

Fitting Support bar
Attach side frame **2** and support bar **4** using bolts **D**.



Step 4

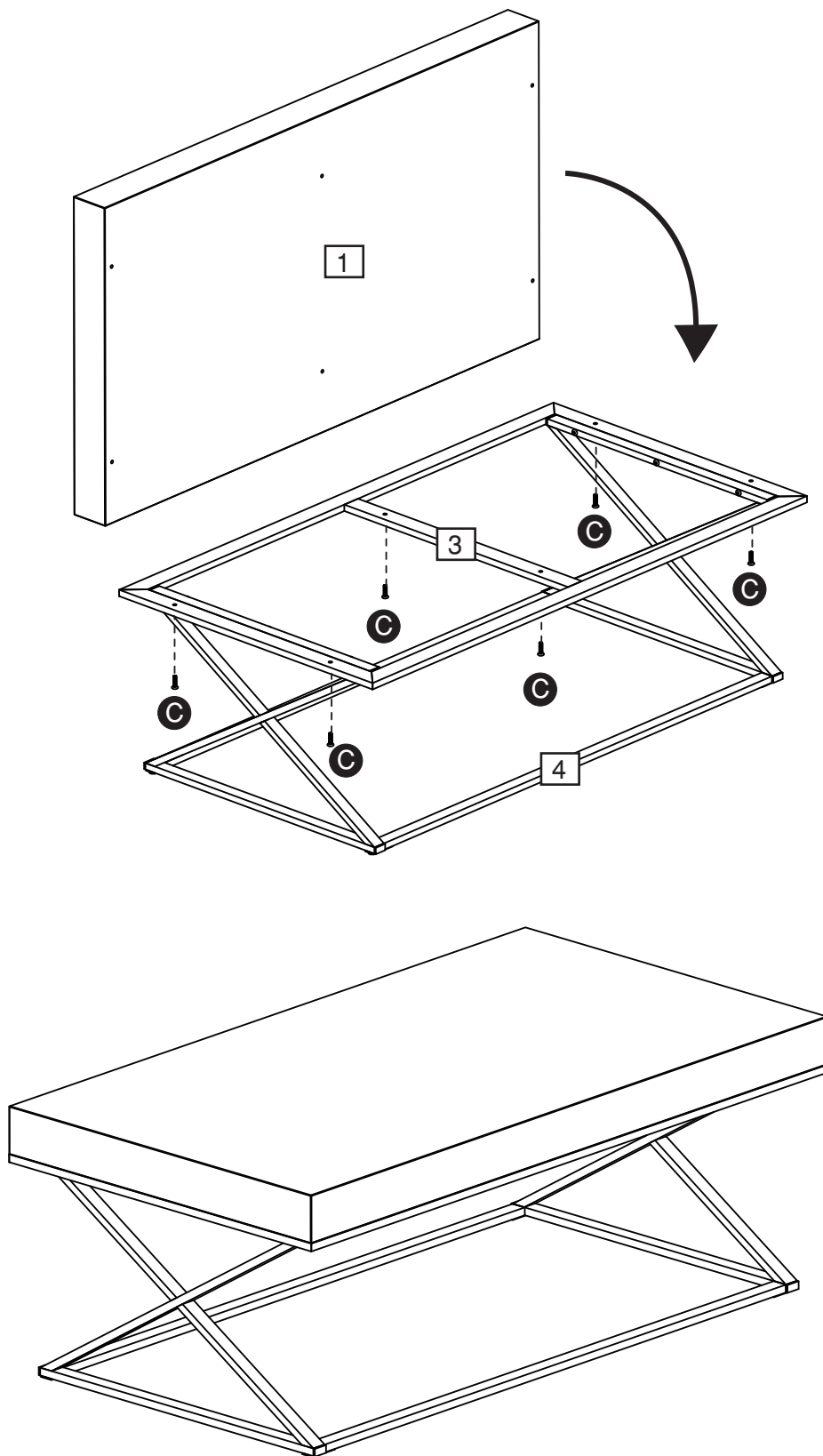
Fitting desktop
Reverse the table frame.



Assembly Instructions

Step 4

Attach desktop **1** and Top frame **3** using bolts **C**.



Assembly is complete.

If you need help or have damaged or missing parts, call the **Customer Helpline: 03456 400800**