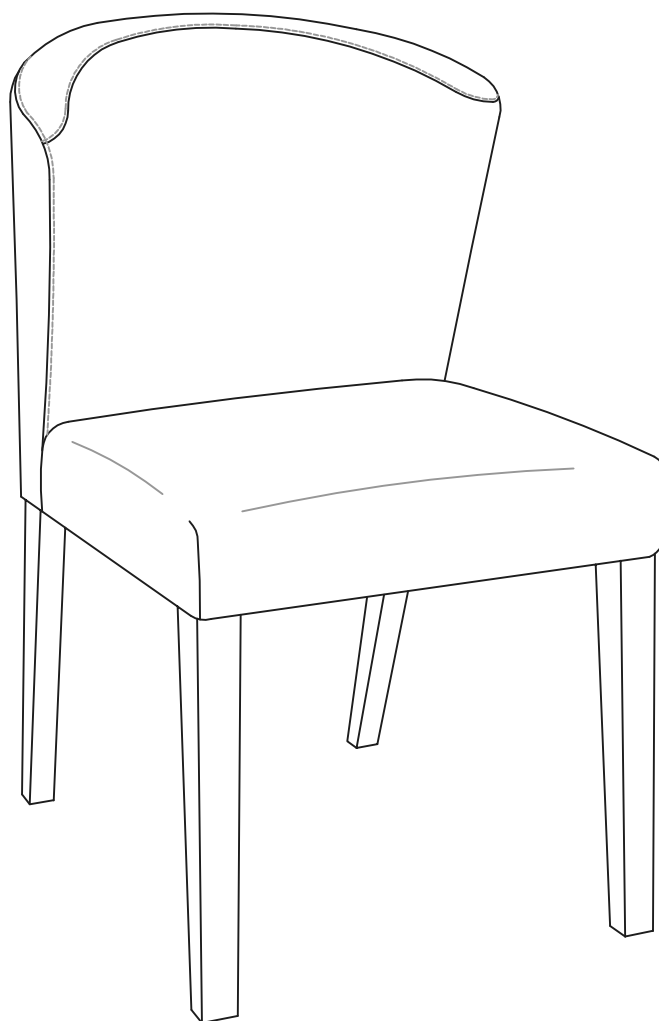


alderton chair

Assembly Instructions - Please keep for future reference

544/4788

532/9212



Dimensions

Width - 49cm

Depth - 60cm

Height - 81cm

Important - Please read these instructions fully before starting assembly

If you need help or have damaged or missing parts, call the **Customer Helpline:**
Argos = 0345 6400800



Safety and Care Advice

Important - Please read these instructions fully before starting assembly

- Check you have all the components and tools listed on the following pages.
- Remove all fittings from the plastic bags and separate them into their groups.
- Keep children and animals away from the work area, small parts could choke if swallowed.
- Make sure you have enough space to layout the parts before starting.
- During assembly do not stand or put weight on the product, this could cause damage.
- Assemble the item as close to its final position (in the same room) as possible.
- Assemble on a soft level surface to avoid damaging the unit or your floor.
- Parts of the assembly will be easier with 2 people.



- To reduce the likelihood of damaging your product please ensure that your power drill is set on a low torque setting.
- The maximum safe weight of user : 110kg.

Care and maintenance

- Only clean using a damp cloth and mild detergent, do not use bleach or abrasive cleaners.
- From time to time check that there are no loose screws on this unit.
- This product should not be discarded with household waste. Take to your local authority waste disposal centre.

Handy Hints

- Assemble all parts and bolts loosely during assembly, only once the product is complete should you fully tighten the bolts
- Regularly check and ensure that all bolts and fittings are tightened properly.

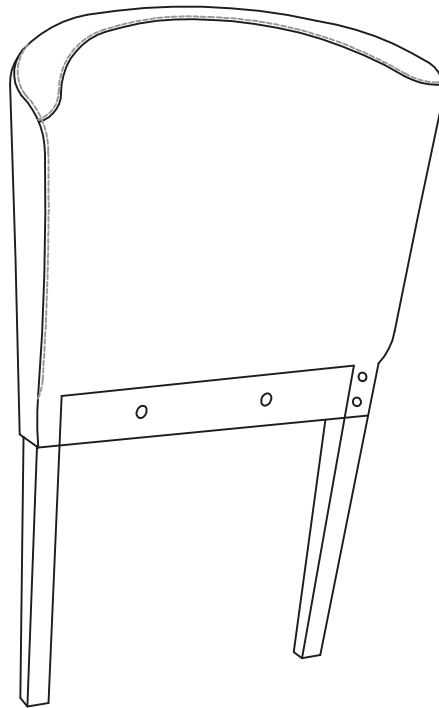
Note: if required the next page can be cut out and used as reference throughout the assembly. Keep this page with these instructions for future reference.

Components - Panels

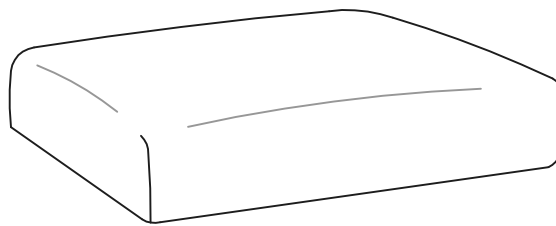
If you have damaged or missing components, call the
Customer Helpline = Argos 0345 6400800

Please check you have all the fittings listed below

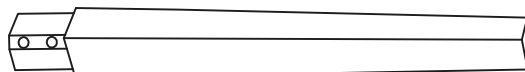
NOTE: Components, listed below are required for one chair only.



1 Backrest x 1
(81 x 49cm)



2 Seat Cushion x 1
(48 x 45cm)



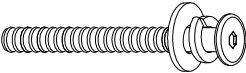
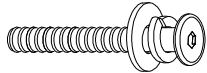
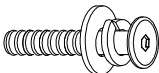


3 Front Leg x 2
(43 x 4cm)



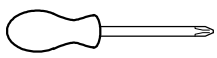
Components - Fittings

Please check you have all the fittings listed below

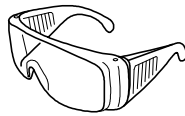
Note: The quantities below are the correct amount to complete the assembly for one chair. In some cases more fittings may be supplied than are required.

<p>A </p> <p>80mm Bolt + Spring Washer + Flat Washer x 4</p>	<p>B </p> <p>60mm Bolt + Spring Washer + Flat Washer x 4</p>	<p>C </p> <p>40mm Bolt + Spring Washer + Flat Washer x 2</p>
<p>D </p> <p>Allen Key x 1</p>	<p>E </p> <p>Protective Disc 22mm x 4</p>	

Tools required



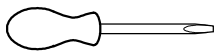
Phillips screwdriver (medium & large)



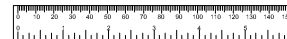
Eye protection (when using a hammer or glue)



Small hammer

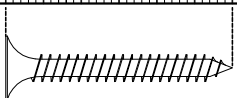
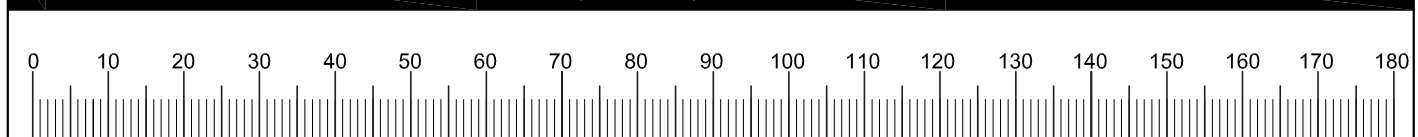


Flatblade screwdriver (medium)



Ruler/tape measure

Ruler - Use this ruler to help correctly identify the screws



The screws length is measured from the head to the point (30mm screw shown).

Assembly Instructions

Step 1

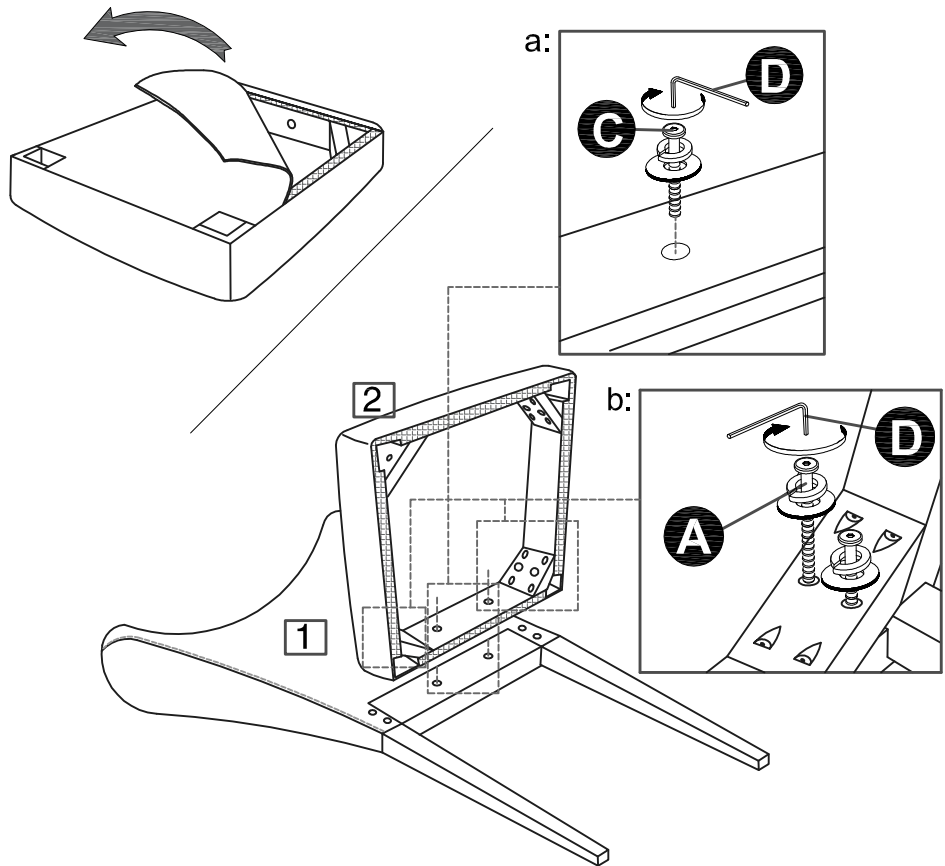
Note : Before assembly, please open non woven dust cover under cushion seat.

Fitting the Cushion Seat

a : Insert Bolt **C** + Spring washer + Flat washer with Allen key **D** to fix cushion seat **2** onto backrest **1**.

b : Insert Bolt **A** + Spring washer + Flat washer with Allen key **D** to fix corner block of the cushion seat **2** onto backrest **1**.

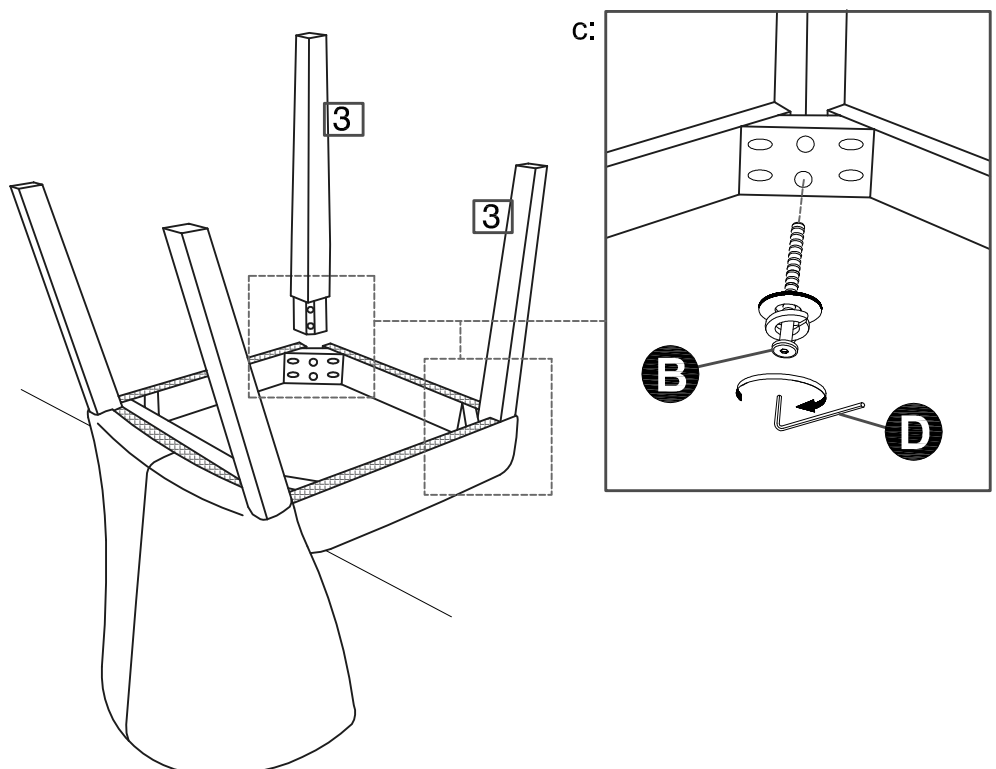
Note : Do not fully tighten all the bolt.



Step 2

Fitting the Front Leg

c : Insert Bolt **B** + Spring washer + Flat washer with Allen key **B** to fix front leg **3** onto cushion seat.



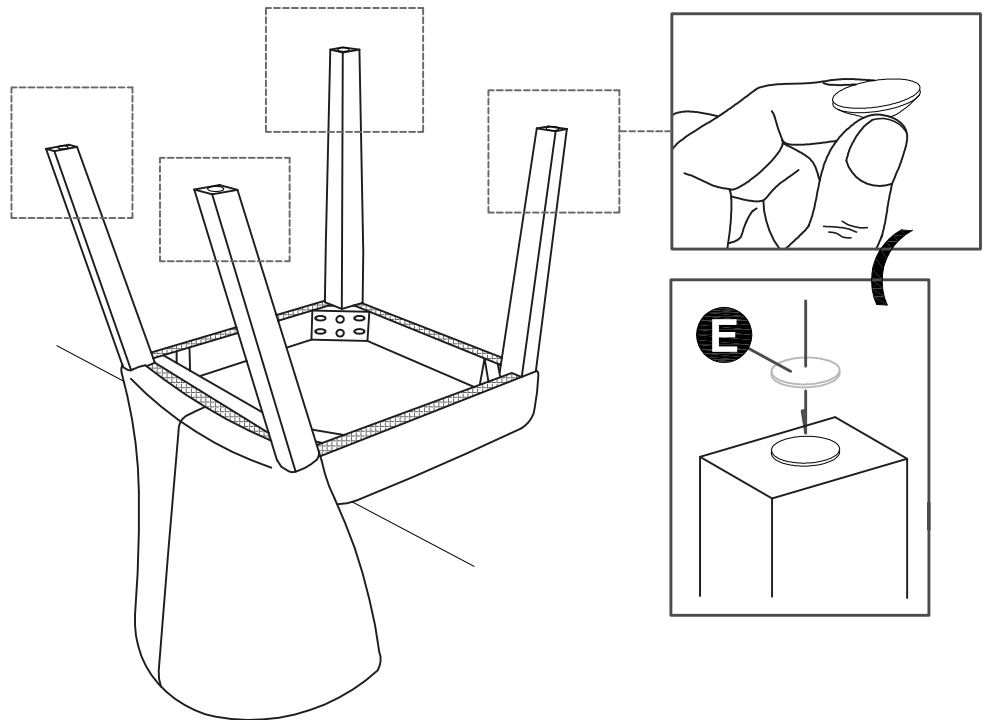
Note : Fully tighten all the bolt.

Assembly Instructions

Step 3

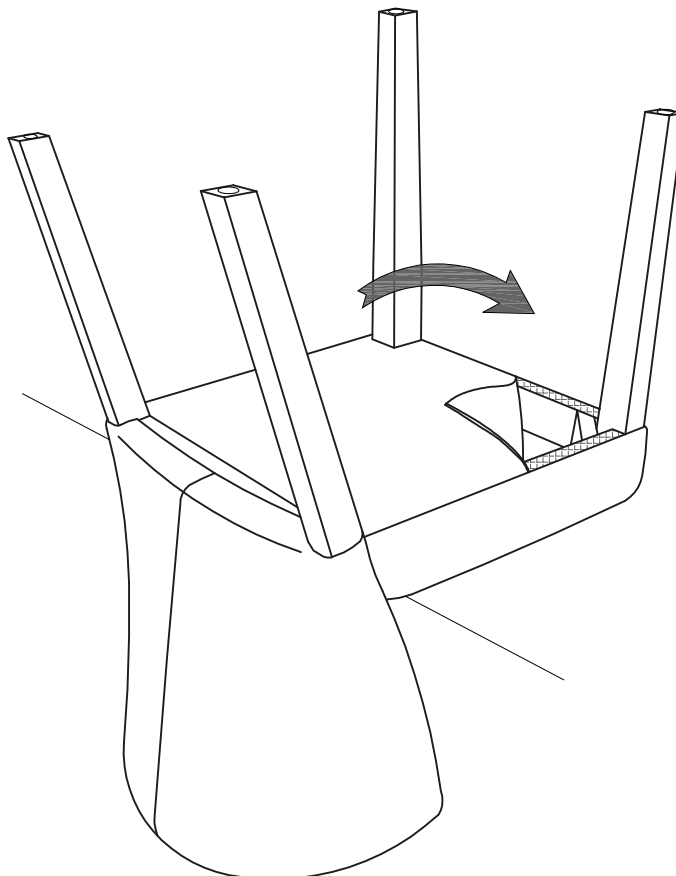
Paste Protective Dics

Paste Protective Disc **E** on each of the bottom leg.



Step 4

Close back non woven dust cover under cushion seat after finish assembly.



Assembly Instructions

Step 5

Finishing the unit

Note: Before use always make sure the unit is secure.

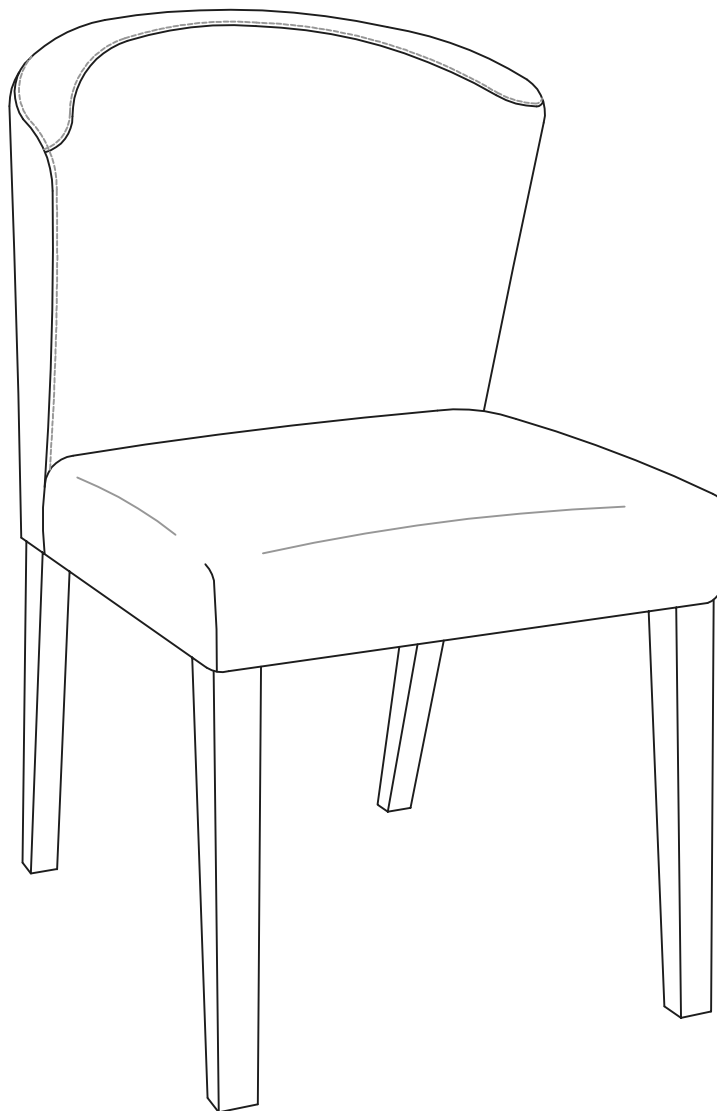
Note: The maximum safe weight of user: 110kg.



Warning:

- Do not stand on this chair. Do not use this chair as a step ladder.
- Use this product only for seating one person at a time.
- Do not use this chair unless all bolts, screws and knobs are firmly secured.
- At least every 4 months, check all bolts, screws and knobs, to be sure they are tight.
- If parts are missing, broken or damaged or worn, stop use of this product until repairs are made & using factory authorized parts.
- Failure to follow these warnings could result in serious injury.

Assembly is complete.



**If you need help or have damaged or missing parts, call the Customer Helpline
Argos = 0345 6400800**