

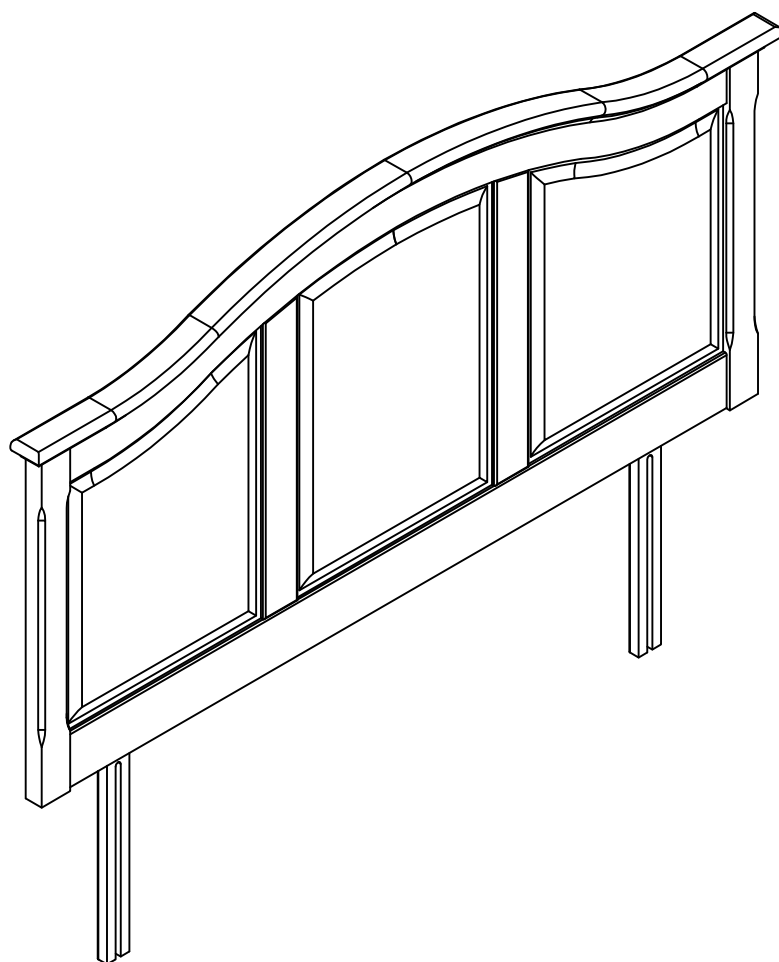
# avignon white headboard 6ft

Assembly Instructions - Please keep for future reference

544/2687



Heart of House



## Dimensions

Width - 194.8cm  
Depth - 7.7cm  
Height - 112.1cm

**Important** - Please read these instructions fully before starting assembly

If you need help or have damaged or missing parts, call the **Customer Helpline: 03456 400800**.  
For further assistance please visit <http://www.argos-support.co.uk/>.



# Safety and Care Advice

**Important** - Please read these instructions fully before starting assembly

- Check you have all the components and tools listed on pages 2 and 3.
- Remove all fittings from the plastic bags and separate them into their groups.
- Keep children and animals away from the work area, small parts could choke if swallowed.
- Make sure you have enough space to layout the parts before starting.

- Do not stand or put weight on the product, this could cause damage.
- Assemble the item as close to its final position (in the same room) as possible.
- Assemble on a soft level surface to avoid damaging the unit or your floor.
- Parts of the assembly will be easier with 2 people.



power drill is set on a low torque setting.

- To reduce the likelihood of damaging your product please ensure that your

## Care and maintenance

- Only clean using a damp cloth and mild detergent, do not use bleach or abrasive cleaners.
- From time to time check that there are no loose screws on this unit.
- This product should not be discarded with household waste. Take to your local authority waste disposal centre.

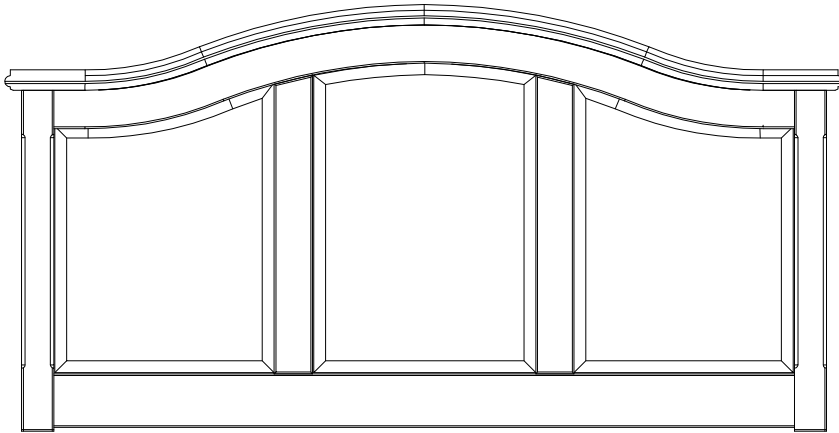
## Handy Hints

- Assemble all parts and bolts loosely during assembly, only once the product is complete should you fully tighten the bolts
- Regularly check and ensure that all bolts and fittings are tightened properly.

# Components - Panels

If you have damaged or missing componets, call the  
**Customer Helpline:03456 400800.** For further  
assistance please visit <http://www.argos-support.co.uk/>

Please check you have all the panels listed below



**1** Headboard × 1 (194.8× 75.1cm)





**2** Post × 2 (96 ×4.5cm)

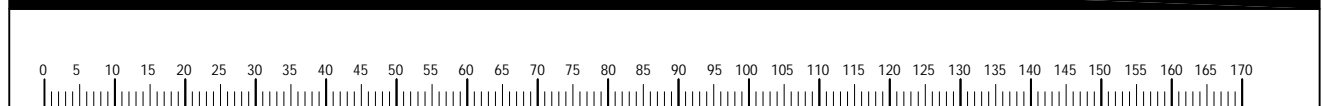
# Components - Fittings

Please check you have all the fittings listed below

**Note:** The quantities below are the correct amount to complete the assembly. In some cases more fittings may be supplied than are required.

<p><b>A</b></p>  <p>Ø6 ×30mm Screw × 4</p>	<p><b>B</b></p>  <p>D4 Allen key × 1</p>	
---	---	--

**Ruler** - Use this ruler to help correctly identify the screws

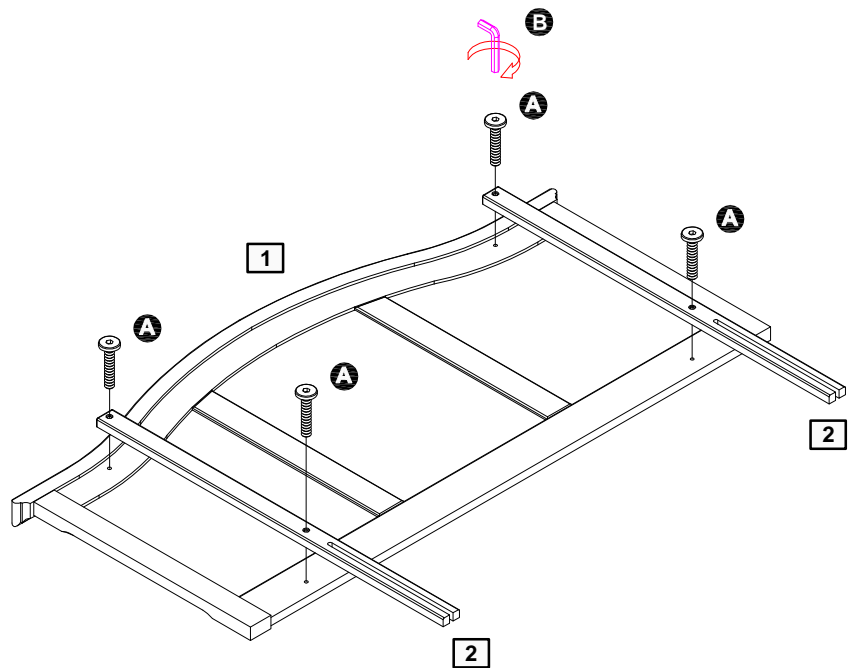


# Assembly Instructions

## Step 1

### Fixing post

Fix Post **2** to the back of Headboard **1** by using Screw **A**, use Allen key **B** turn clockwise to lock.



**Assembly is complete.**

This bed is made from timber which will continue to adjust to the environment in which it is in (i.e. the bedroom). This may lead to minor cracking at the joints and is to be expected on a premium solid timber piece of furniture

If you need help or have damaged or missing parts, call the **Customer Helpline: 03456 400800**

Retailer: Argos

Address: 489-499 Avebury Boulevard Saxon Gate West, Central Milton Keynes Bucks, MK9,2NW

For further assistance please visit <http://www.argos-support.co.uk/>