

Adult Malibu - 4 Drawer 3 Door Robe

Assembly Instructions - Please keep for future reference

532/8038

563/6307

544/3985

563/7038

544/3930

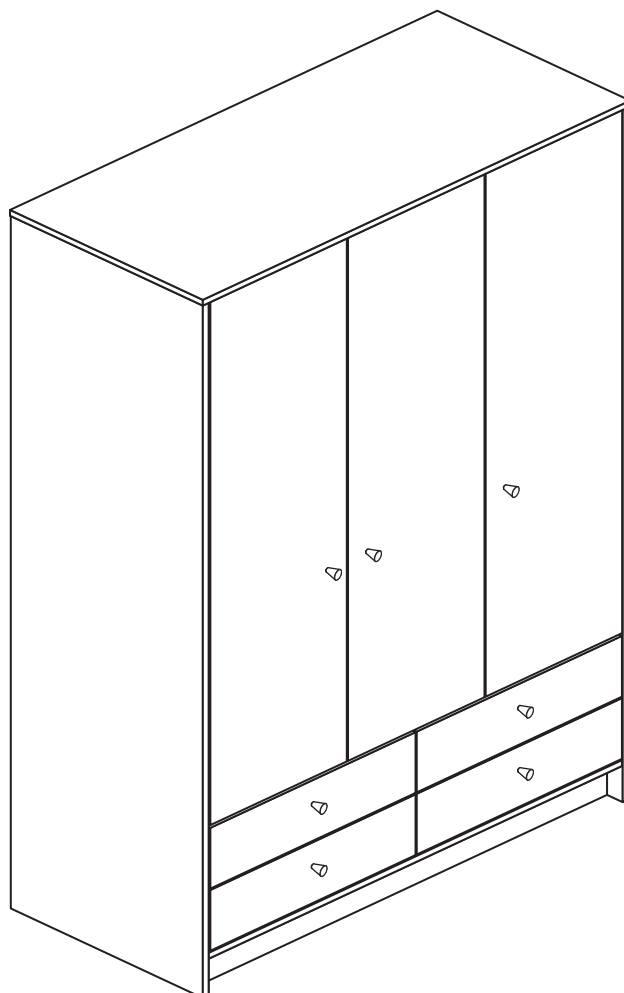
564/9581

548/2458

565/5429

542/1639

558/2255



More help is available throughout this booklet by scanning in the QR codes or typing in the links

Dimensions

Width - 110.4cm

Depth - 49.8cm

Height - 180.5cm



**MADE IN
BRITAIN**

Important - Please read these instructions fully before starting assembly

If you need help or have damaged or missing parts, please visit www.argos-support.co.uk or email: Help@ClickSpares.co.uk (quoting your original order number)

Alternatively, call the Spares Helpline on: 0370 112 1928.

For any other queries please contact the Customer Helpline on: 0345 640 2020



Safety and Care Advice

Important - Please read these instructions fully before starting assembly

- **Warning:** This unit weighs approximately 83kgs. Please lift with care.

- Check you have all the components and tools listed on pages 2 to 5.

- Remove all fittings from the plastic bags and separate them into their groups.

- Keep children and animals away from the work area, small parts could choke if swallowed.

- Parts of the assembly will be easier with 2 people.

- Make sure you have enough space to layout the parts before starting.

- Do not stand or put weight on the product, this could cause damage.

- Assemble the item as close to its final position (in the same room) as possible.

- Assemble on a soft level surface to avoid damaging the unit or your floor (use opened out unit carton).



- We do not recommend the use of power drill/drivers **for inserting screws**, as this could damage the unit. Only use hand screwdrivers.

- **Safety note:** To prevent possible overbalancing this unit **must be secured** to a wall using the overbalance protector kit supplied or, an alternative fixing method of your choice.

- Dispose of all packaging carefully and responsibly.

Care and maintenance

- Only clean using a damp cloth and mild detergent, do not use bleach or abrasive cleaners.

- From time to time check that there are no loose screws on this unit.

- This product should not be discarded with household waste. Take to your local authority waste disposal centre.

Note: If required the next page can be cut out and used as reference throughout the assembly. Keep this page with these instructions for future reference.

Components - Panels

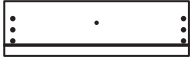
If you need help or have damaged or missing parts, please visit www.argos-support.co.uk or email: Help@ClickSpares.co.uk (quoting your original order number)

Alternatively, call the Spares Helpline on: 0370 112 1928.

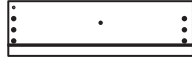
For any other queries please contact the Customer Helpline on: 0345 640 2020

Please check you have all the panels listed below

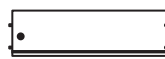
When applicable, remove any protective film before use



1 Left Drawer Front (DF7359)
(53 x 15.7cm) x 2



2 Right Drawer Front (DF7362)
(53 x 15.7cm) x 2



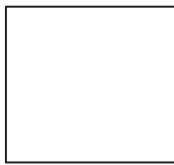
3 Left Drawer Side (WB450-130LH)
(45 x 13cm) x 4



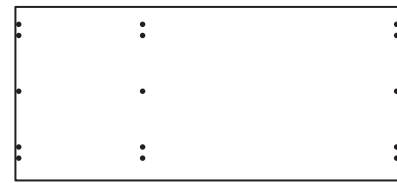
4 Right Drawer Side (WB450-130RH)
(45 x 13cm) x 4



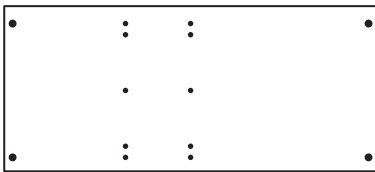
5 Drawer Back (W478-130)
(47.8 x 13cm) x 4



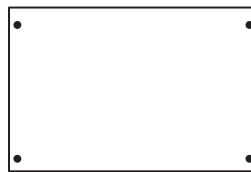
6 Drawer Base (T489-447)
(48.9 x 44.7cm) x 4



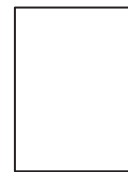
7 Top (DF7347)
(110.35 x 49.8cm)



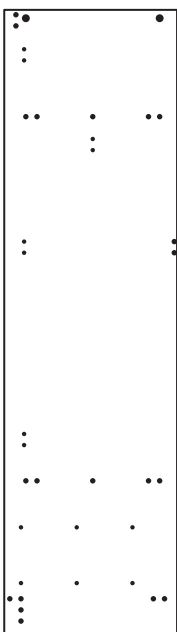
8 Horizontal (DF7351)
(106.95 x 47.4cm)



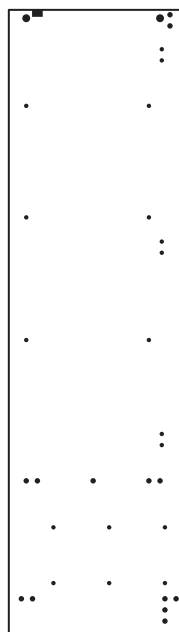
9 Wide Shelf (DF7363)
(71.4 x 47cm)



10 Loose Shelf (DF7364)
(34.05 x 47cm) x 3



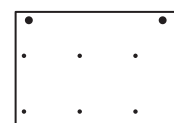
11 Left Side (DF7348)
(179 x 49.6cm)



12 Right Side (DF7349)
(179 x 49.6cm)



13 Divider (DF7350)
(134.4 x 47.2cm)



14 Drawer Divider (DF7352)
(32.35 x 47.2cm)



Components - Panels

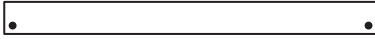
If you need help or have damaged or missing parts, please visit www.argos-support.co.uk or email: Help@ClickSpares.co.uk (quoting your original order number)

Alternatively, call the Spares Helpline on: 0370 112 1928.

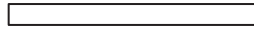
For any other queries please contact the Customer Helpline on: 0345 640 2020

Please check you have all the panels listed below

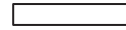
When applicable, remove any protective film before use



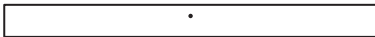
15 Plinth (DF7353)
(106.95 x 9.2cm)



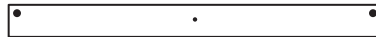
16 Large Top Rail (DF5858)
(71.4 x 6cm)



17 Small Top Rail (DF7356)
(34.05 x 6cm)



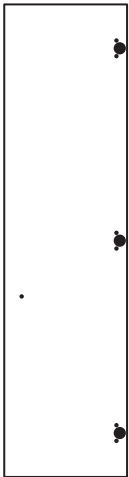
18 Front Cross Rail (DF7354)
(106.95 x 9.2cm)



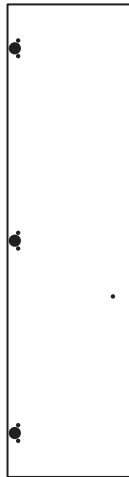
19 Back Cross Rail (DF7355)
(106.95 x 9.2cm)



20 Back Rail (DF5866)
(71.4 x 9.2cm)



21 Left Door (DF7357)
(135.6 x 35.25cm)



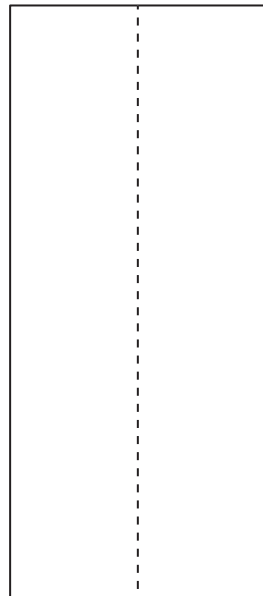
22 Right Door and Middle Door (DF7357)
(135.6 x 35.25cm) x 2



23 Long Hanging Rail (FHR708)
(70.8cm long)



24 Small Back (X1709-360)
(170.9 x 36cm) x 2



25 Large Back (X1709-733)
(170.9 x 73.3cm)



Components - Fittings

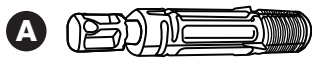
If you need help or have damaged or missing parts, please visit www.argos-support.co.uk or email: Help@ClickSpares.co.uk (quoting your original order number)

Alternatively, call the Spares Helpline on: 0370 112 1928.

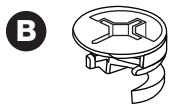
For any other queries please contact the Customer Helpline on: 0345 640 2020

Please check you have all the fittings listed below

Drawer Fittings Bag marked 'drw kit'



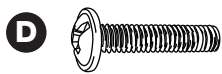
Quickfit dowel (F545) x 8



Large locking cam nut (F607) x 8



Knock-in Peg (F171GY) x 16



19mm Screw (F461) x 7

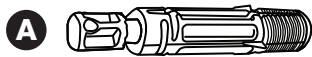


13mm Screw (F79) x 8

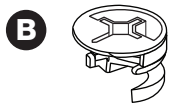


13mm Screw (F63) x 16

Main Fittings Bag



Quickfit dowel (F545) x 22



Large locking cam nut (F607) x 22



13mm Screw (F63) x 8



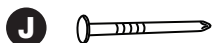
13mm Screw (F52) x 4



9mm Screw (F73) x 24



40mm Screw (F910) x 4



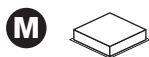
Nail (F51) x 35



Plastic Nail (F91) x 6



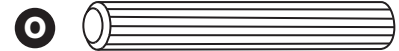
Rail Holder (F891) x 2



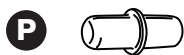
Door Buffer (F137) x 2



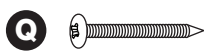
Wooden dowel (F22) x 41



Large wooden dowel (F40) x 2



Shelf stud (F110) x 12

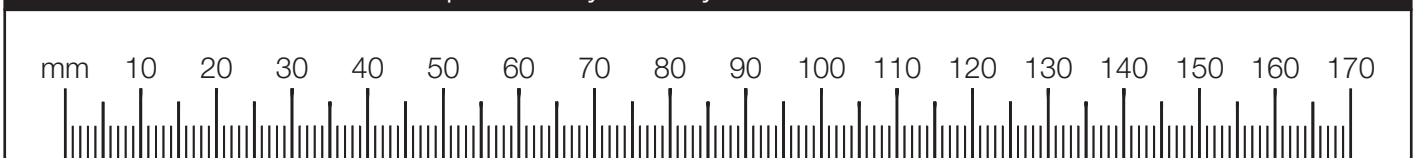


Nail screw (F277) x 5



Back holder (F276) x 5

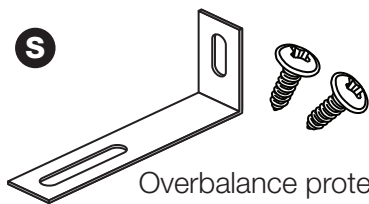
Ruler - Use this ruler to help correctly identify the screws



Components - Fittings

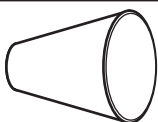
Individual Fittings Bags

S



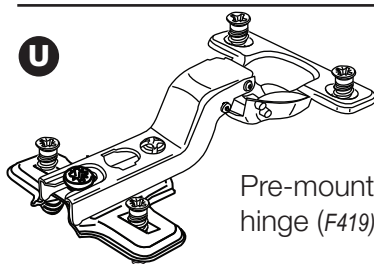
Overbalance protector kit (F474) x 1

T



Handle (F418) x 7

U



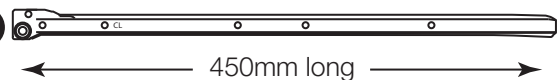
Pre-mounted hinge (F419) x 9

V



Drawer Brace (F427) x 4

W a



CL Runner (F608) x 4

W b



CR Runner (F609) x 4

W c



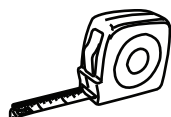
DL Runner (F610) x 4

W d

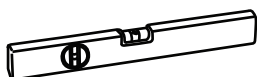


DR Runner (F611) x 4

Tools required



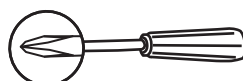
Rule



Spirit level



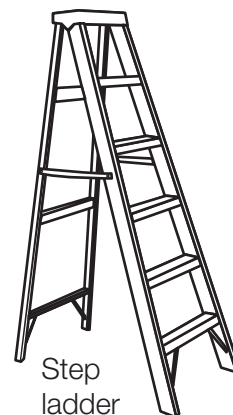
Eye protection (when using a hammer or drill)



Cross-head screwdriver



Electric drill (only use when drilling into walls)



Step ladder



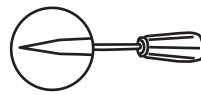
Square



Scissors



Hammer



Bradawl

Assembly Instructions

Step 1

Prepare the 4 pair of drawer sides

a: Insert a large locking cam nut **B** into the 4 left drawer sides **3** and the 4 right drawer sides **4**.

Note: The arrow on the locking cam nut **must** point towards the hole in the end of the panel.

b: Push 1 of the quickfit dowels **A** as far as it will go into the left drawer sides **3** and the right drawer sides **4**.

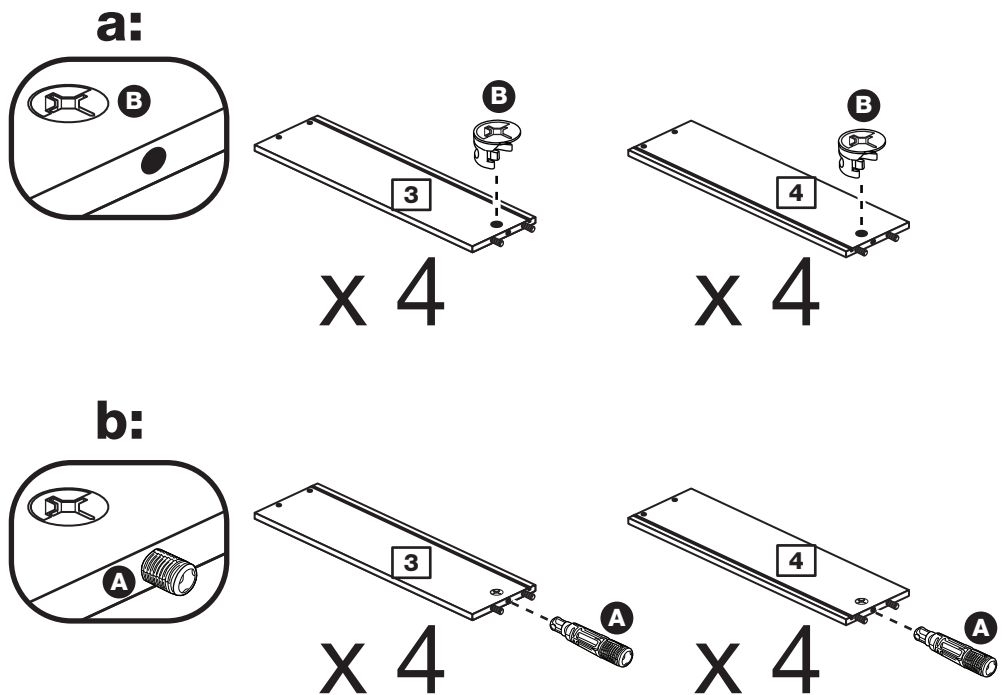
Note: Only the plastic thread of the quickfit dowel sticks out from the panel.

Use the Drawer Fittings Bag marked 'drw kit' for Steps 1 - 7



Standard Drawer Box Assembly

<https://www.youtube.com/watch?v=HclfJdkm-Lg>



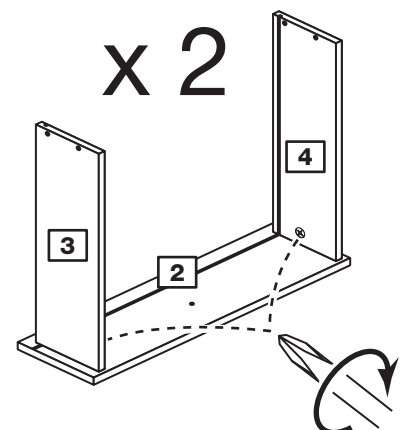
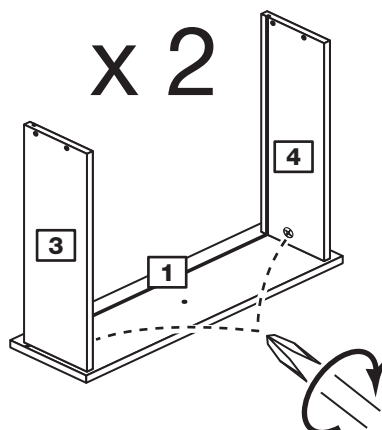
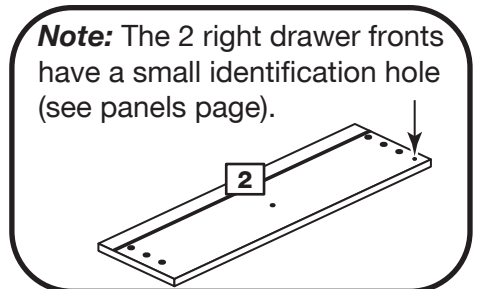
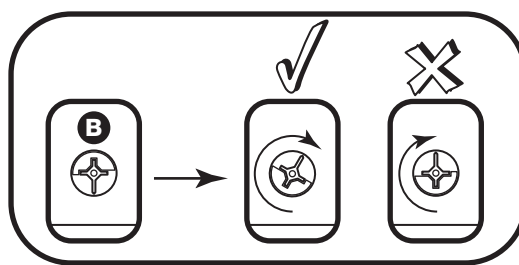
Step 2

Fit the drawer sides to the 4 drawer fronts

Push the left drawer sides **3** and right drawer sides **4** down onto the back of the 2 left drawer fronts **1** and 2 right drawer fronts **2**.

Turn the large locking cam nuts **B** clockwise as far as they will go to secure the panels.

Important: Make sure there is no gap between the fitted panels.

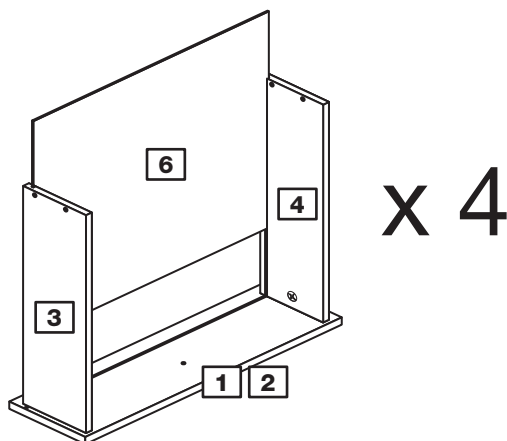


Assembly Instructions

Step 3

Fit the drawer bases

Slide a drawer base **6** down the grooves in the drawer sides **3** and **4** and down into the groove in the drawer front **1** and **2**.



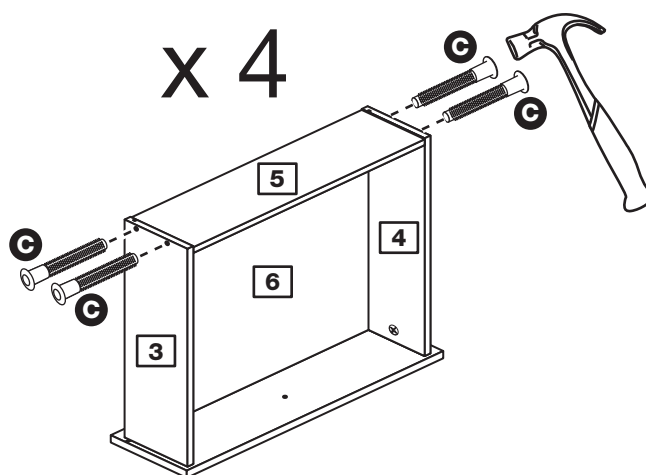
Step 4

Fit the drawer backs

Fit a drawer back **5** between the drawer sides **3** and **4**.

Make sure that the drawer base **6** fits into the groove in the drawer back **5**.

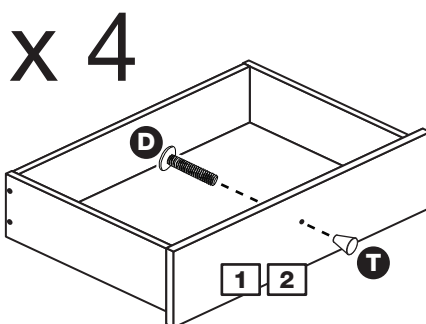
Hold the drawer back **5** in position and tap the knock-in pegs **C** through the holes in the drawer sides **3** and **4**.



Step 5

Fit the handles

Attach a handle **T** to each of the 4 drawer fronts **1** and **2** using screws **D**.



Important: You will need 3 more of these screws from the drawer fittings bag to fit the handles to the doors at a later step.

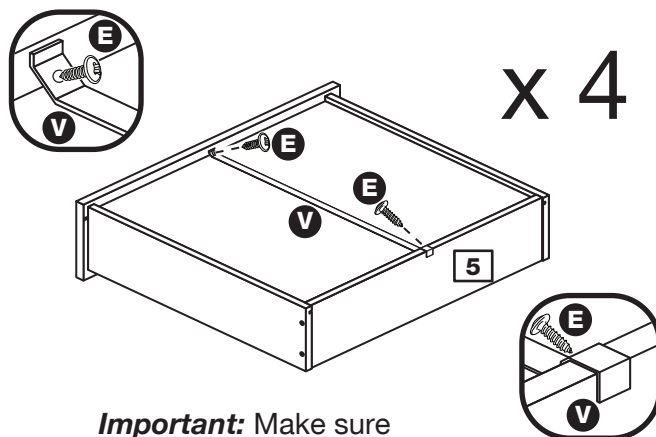
Assembly Instructions

Step 6

Fit the drawer braces

Turn the 4 drawer assemblies over and hook a drawer brace **V** onto the bottom edge of the drawer back **5**.

Fix it to the drawer front and drawer back using 2 screws **E**.



Important: Make sure that the drawer assembly is square before fitting the drawer brace.

Step 7

Fit runners to the drawers

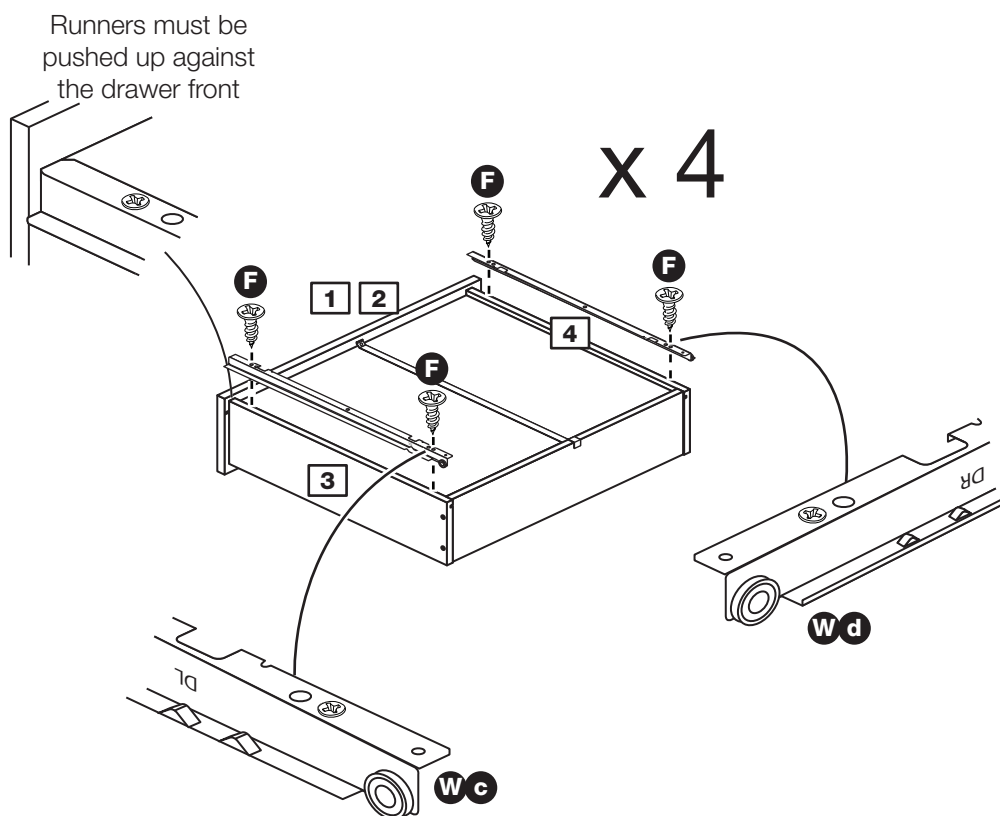
Fit the DL runner **Wc** to the bottom edge of the left drawer side **3**, as shown, making sure that it is pushed up against the back of the drawer front **1** and **2**. Use a bradawl to mark the fixing positions, then secure with 2 screws **F**.

Fit the DR runner **Wd** to the bottom edge of the right drawer side **4** using the same method.



Fixing Bottom Mounter Runners

<https://www.youtube.com/watch?v=Z6lGMMy19h7Q>



Assembly Instructions

Step 8

Prepare the divider

Fit a rail holder **L** to the divider **13** using 2 screws **G**.

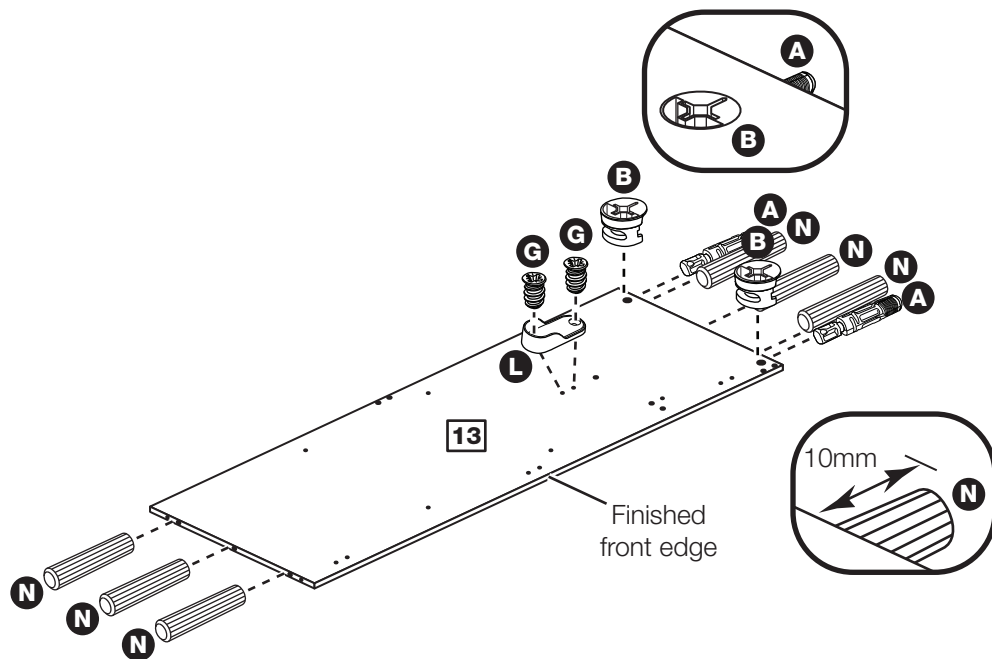
Insert 2 large locking cam nuts **B** into the divider **13**.

Push 2 of the quickfit dowels **A** as far as they will go into the divider **13**.

Tap 6 wooden dowels **N** into the divider **13**.

Note: Wooden dowels **must not** stick out from the edge by more than 10mm or they may damage other panels.

Use the Main Fittings Bag for Steps 8 - end



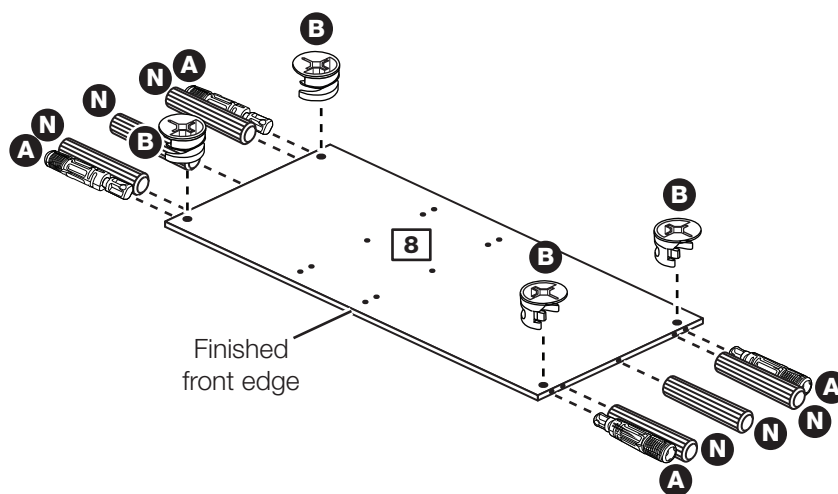
Step 9

Prepare the horizontal

Insert 4 large locking cam nuts **B** into the horizontal **8**.

Push 4 of the quickfit dowels **A** as far as they will go into the horizontal **8**.

Tap 6 wooden dowels **N** into the horizontal **8**.



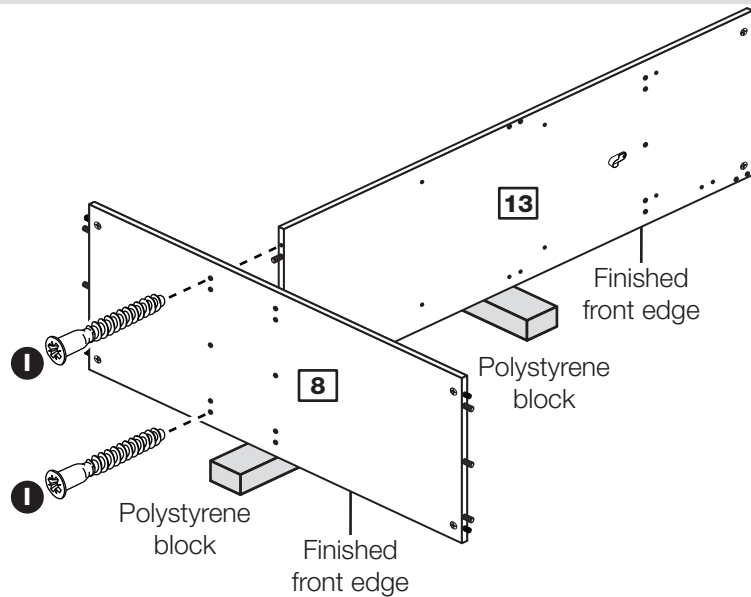
Assembly Instructions

Step 10

Fit the base

Push the horizontal **8** onto the divider **13** and fit it using 2 screws **1**.

Note: To make the assembly easier, place polystyrene blocks from the packaging underneath the panels to raise the assembly.



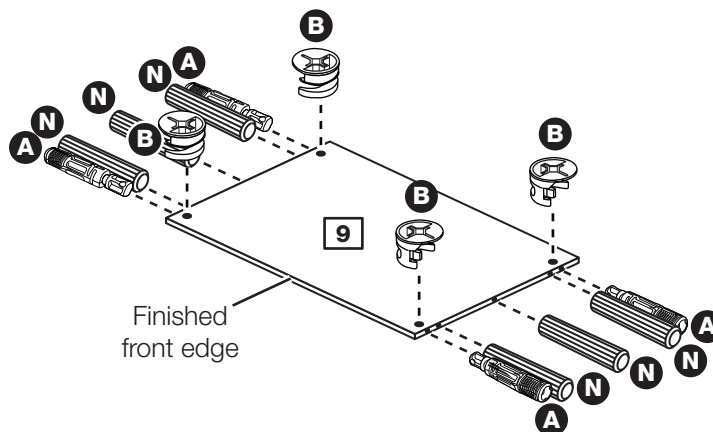
Step 11

Prepare the wide shelf

Insert 4 large locking cam nuts **B** into the wide shelf **9**.

Push 4 of the quickfit dowels **A** as far as they will go into the wide shelf **9**.

Tap 6 wooden dowels **N** into the wide shelf **9**.



Step 12

Fit the wide shelf

Push the wide shelf or **9** onto the divider **13**.

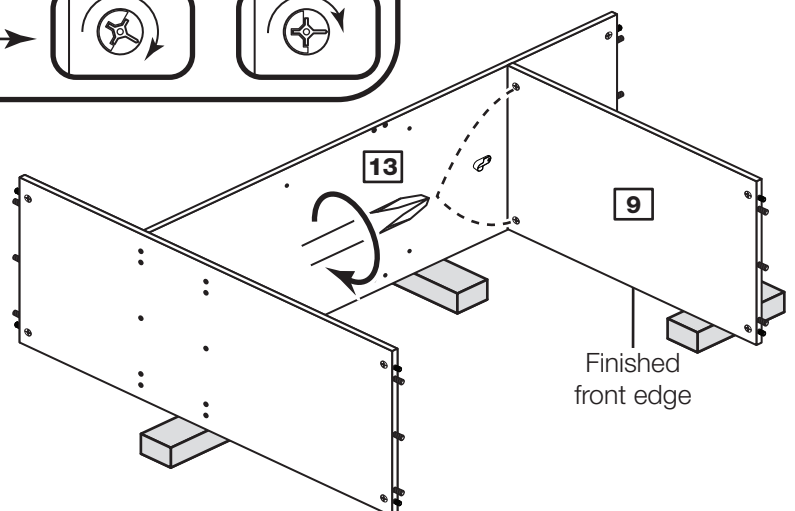
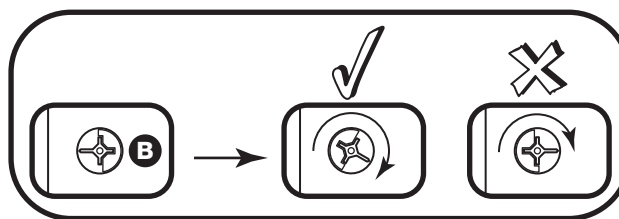
Turn the 2 large locking cam nuts **B** fitted to the wide shelf **9** clockwise as far as they will go to secure the panels.

Important: Make sure there is no gap between the fitted panels.



Carcase Assembly

<https://www.youtube.com/watch?v=9C7tgv5xnBE>



Assembly Instructions

Step 13

Prepare the drawer divider

a: Fit 2 CL runners **W a** to the drawer divider **14**.

The 1st screw **H** uses the 1st hole in from the front of the runner.

The 2nd and 3rd screws **H** use the holes that line up with the other panel holes.

b: Fit a screw **F** into the hole at the top of the runner **W a**.

c: Insert 2 large locking cam nuts **B** into the drawer divider **14**.

Push 2 of the quickfit dowels **A** as far as they will go into the drawer divider **14**.

Tap 3 wooden dowels **N** into the drawer divider **14**.

Turn the drawer divider over

d: Fit 2 CR runners **W b** to the drawer divider **14**.

The 1st screw **H** uses the 1st hole in from the front of the runner.

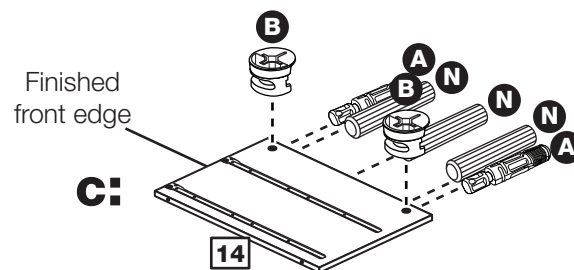
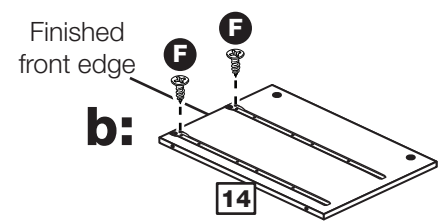
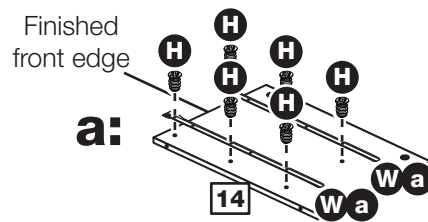
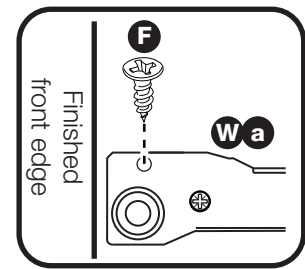
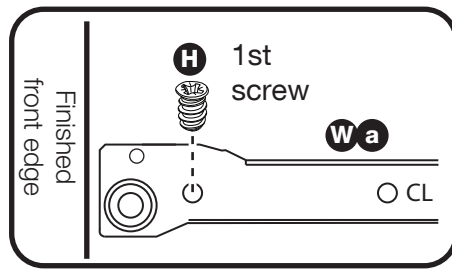
The 2nd and 3rd screws **H** use the holes that line up with the other panel holes.

e: Fit a screw **F** into the hole at the top of the runner **W b**.

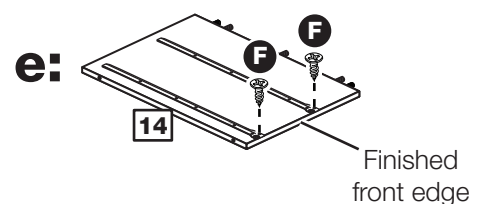
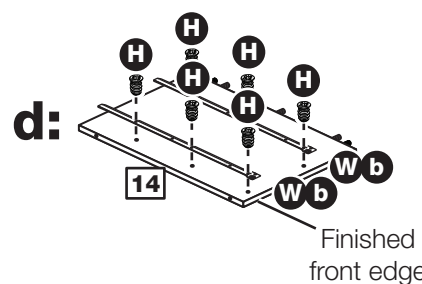
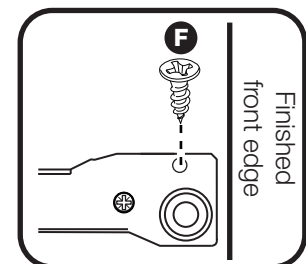
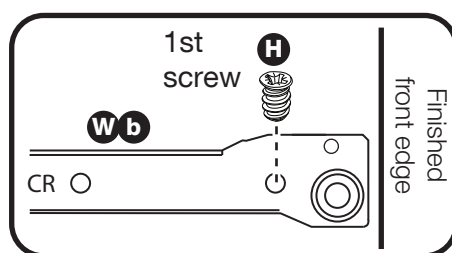


Fixing Bottom Mounter Runners

<https://www.youtube.com/watch?v=Z6lGMy19h7Q>



Turn the drawer divider over



Assembly Instructions

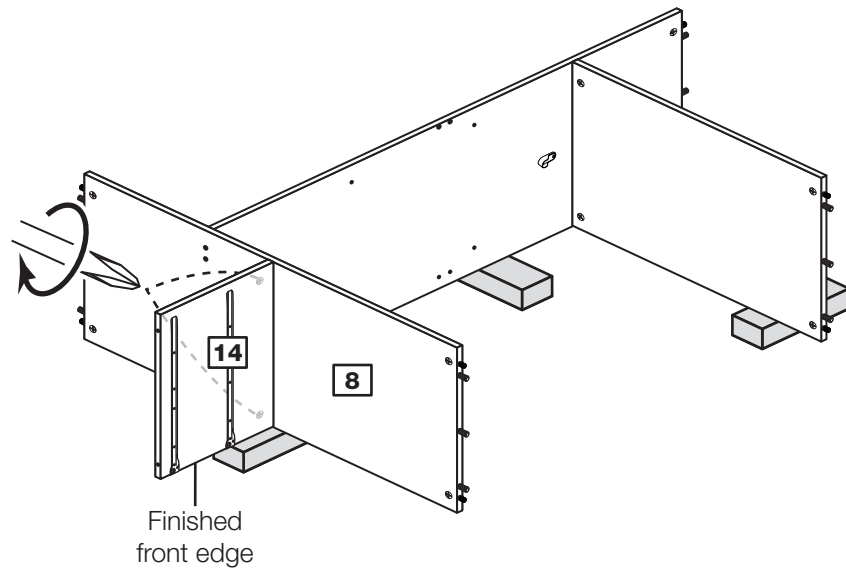
Step 14

Fit the drawer divider

Push the drawer divider **14** onto the horizontal **8**.

Turn the 2 large locking cam nuts **B** fitted to the drawer divider **9** clockwise as far as they will go to secure the panels.

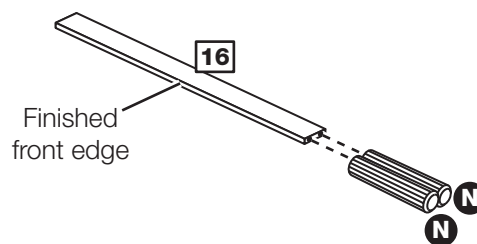
Important: Make sure there is no gap between the fitted panels.



Step 15

Prepare the large top rail

Tap 2 wooden dowels **N** into the large top rail **16**.

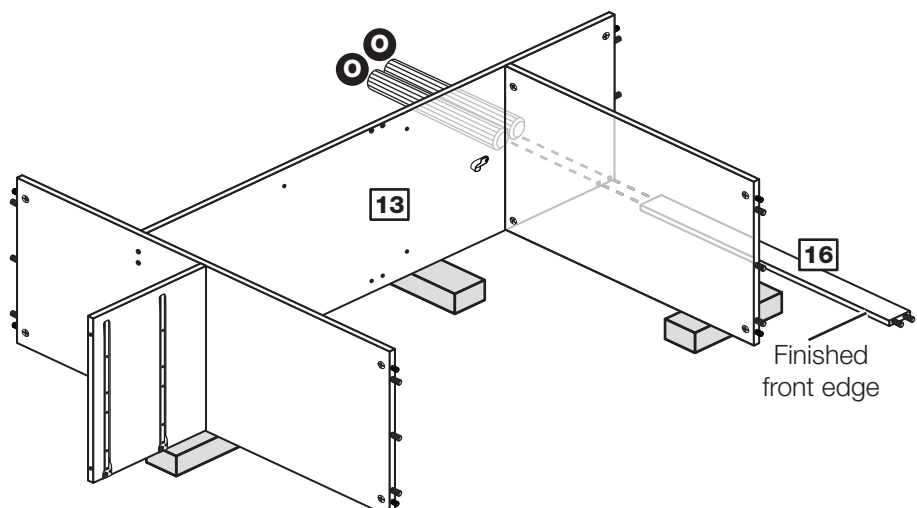


Step 16

Fit the large top rail

Push the large top rail **16** up against the divider **13**.

Tap 2 large wooden dowels **O** through the divider **13** and into the large top rail **16** until they "bottom out".



Assembly Instructions

Step 17

Prepare the right side

a: Fit 2 CR runners **W b** to the right side **12**.

The 1st screw **H** uses the 1st hole in from the front of the runner.

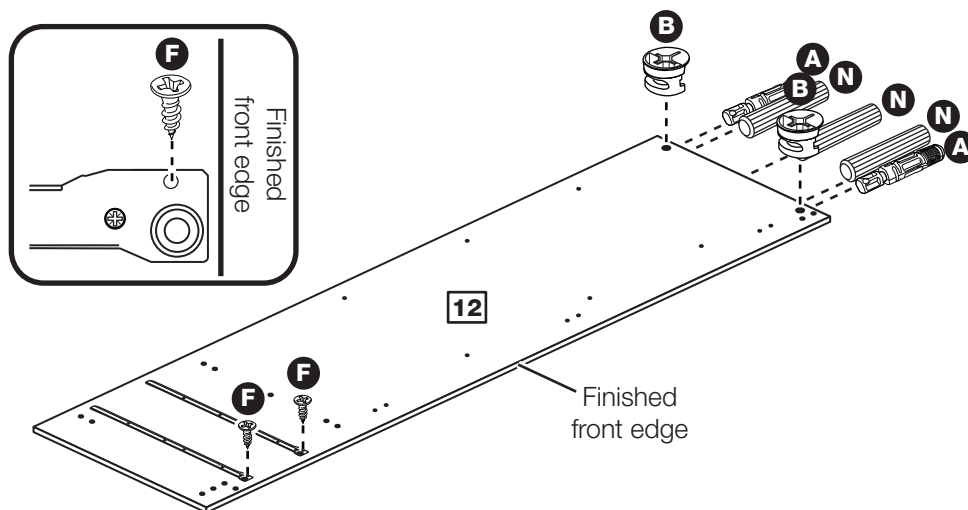
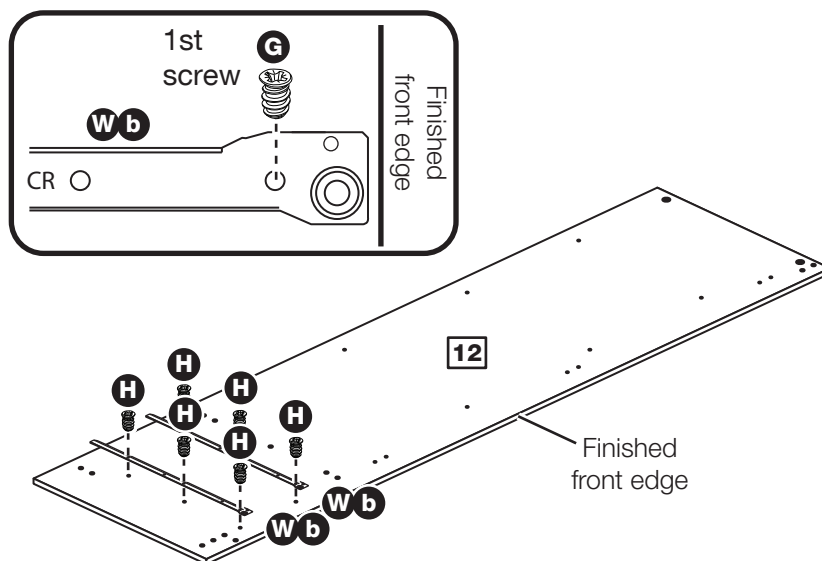
The 2nd and 3rd screws **H** use the holes that line up with the other panel holes.

b: Fit a screw **F** into the hole at the top of the runner **W b**.

Insert 2 large locking cam nuts **B** into the right side **12**.

Push 2 of the quickfit dowels **A** as far as they will go into the right side **12**.

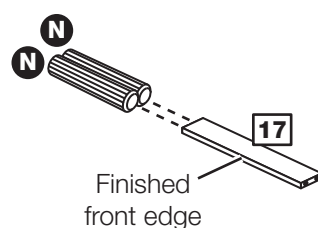
Tap 3 wooden dowels **N** into the right side **12**.



Step 18

Prepare the small top rail

Tap 2 wooden dowels **N** into the small top rail **17**.

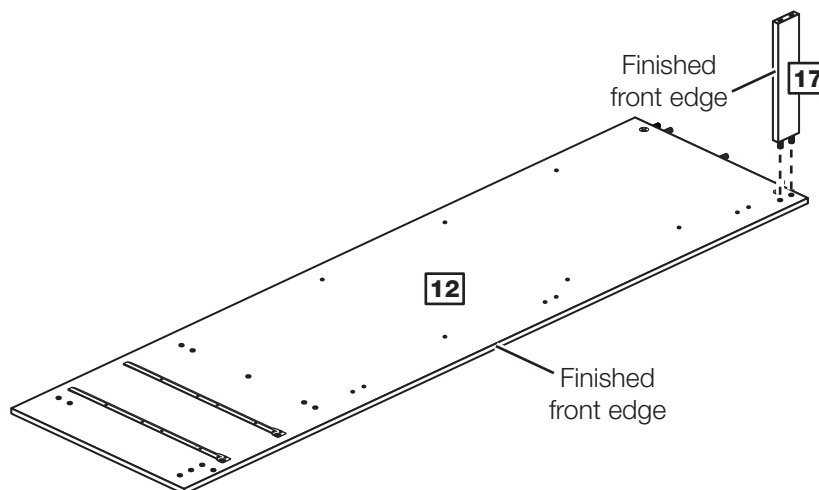


Assembly Instructions

Step 19

Fit the small top rail to the right side

Push the small top rail **17** down onto the right side **12**.



Step 20

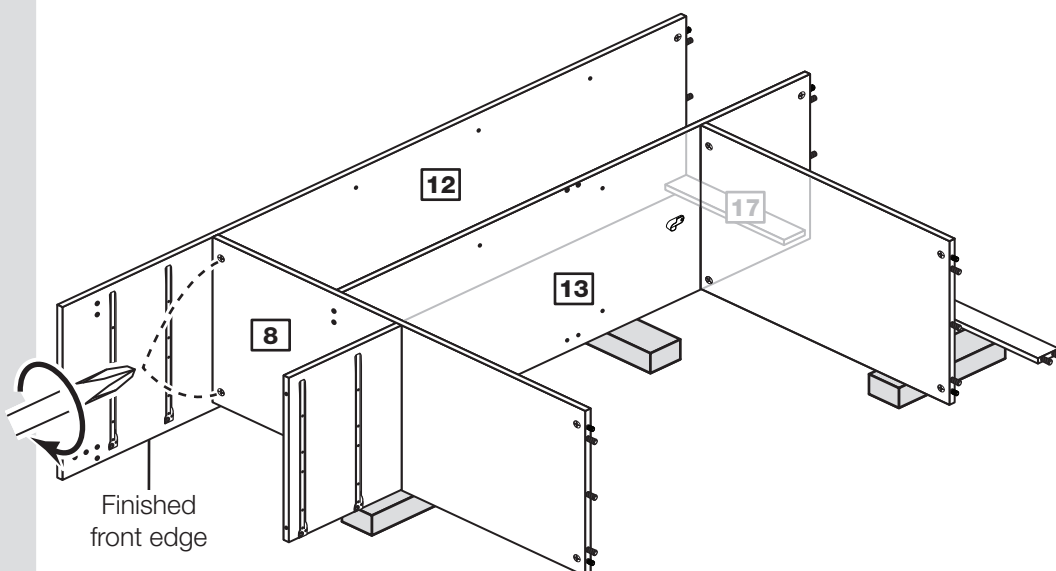
Fit the right side

Push the right side **12** onto the horizontal **8**.

Make sure that the small top rail **17** is pushed onto the 2 large wooden dowels **O** fitted through the divider **13**.

Turn the 2 large locking cam nuts **B** fitted to the horizontal **8** clockwise as far as they will go to secure the panels.

Important: Make sure there is no gap between the fitted panels.



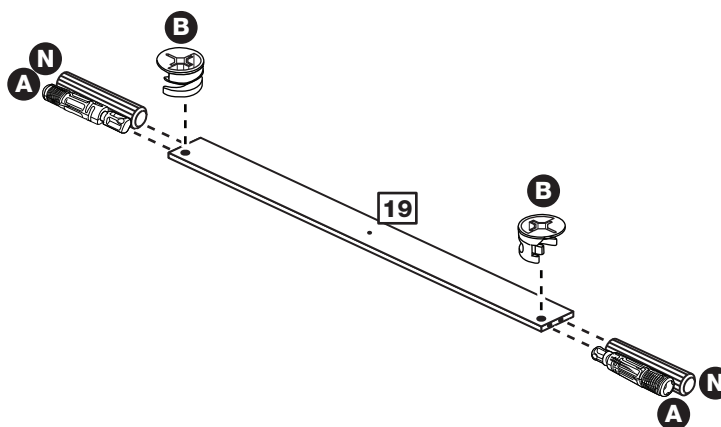
Step 21

Prepare the back cross rail

Insert 2 large locking cam nuts **B** into the back cross rail **19**.

Push 2 of the quickfit dowels **A** as far as they will go into the back cross rail **19**.

Tap 2 wooden dowels **N** into the back cross rail **9**.



Assembly Instructions

Step 22

Fit the back cross rail

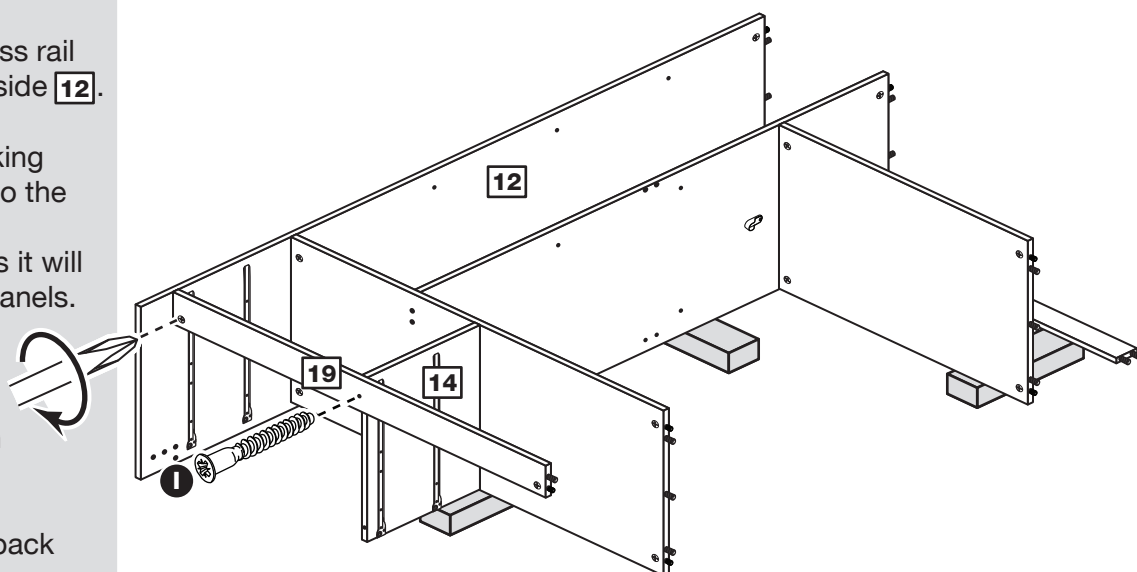
Push the back cross rail **19** onto the right side **12**.

Turn the large locking cam nut **B** fitted to the back cross rail **19** clockwise as far as it will go to secure the panels.

Important:

Make sure there is no gap between the fitted panels.

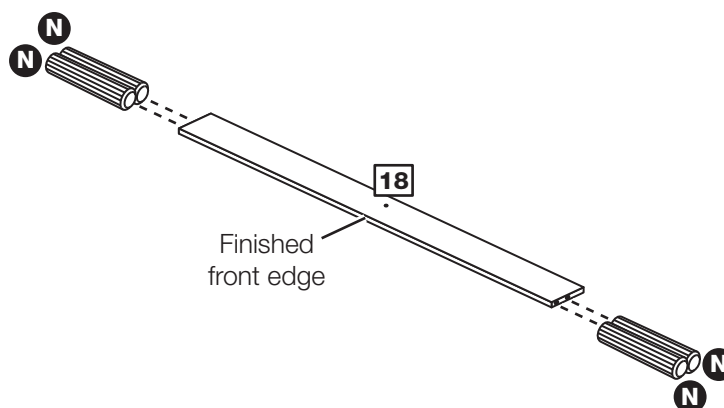
Secure the cross back rail **19** to the drawer divider **14** using screw **I**.



Step 23

Prepare the front cross rail

Tap 4 wooden dowels **N** into the front cross rail **18**.

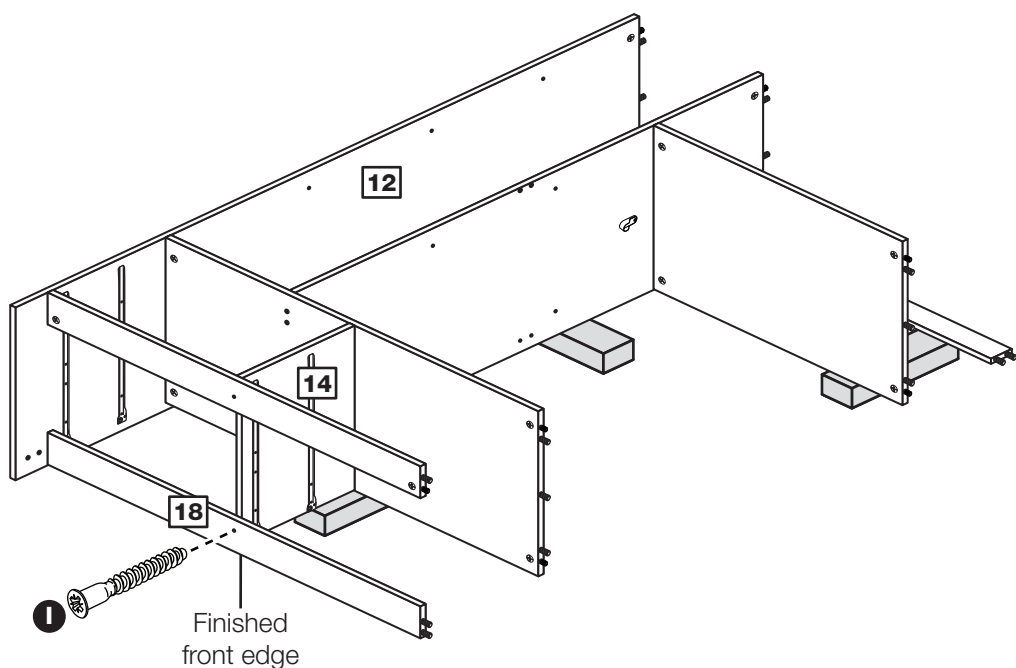


Step 24

Fit the front cross rail

Push the front cross rail **18** onto the right side **12**.

Secure the front cross rail **18** to the drawer divider **14** using screw **I**.



Assembly Instructions

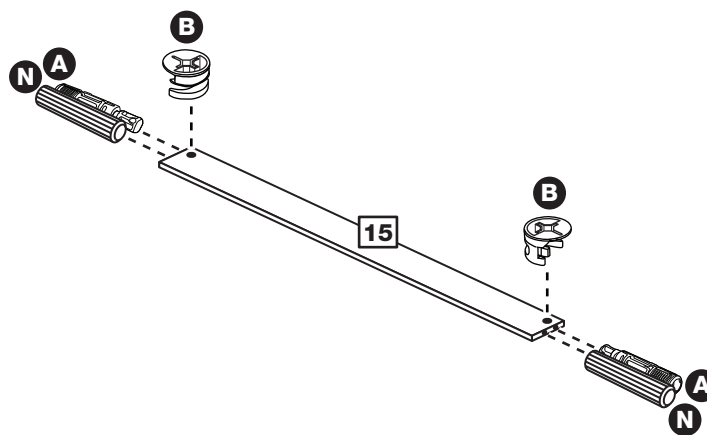
Step 25

Prepare the plinth

Insert 2 large locking cam nuts **B** into the plinth **15**.

Push 2 of the quickfit dowels **A** as far as they will go into the plinth **15**.

Tap 2 wooden dowels **N** into the plinth **15**.



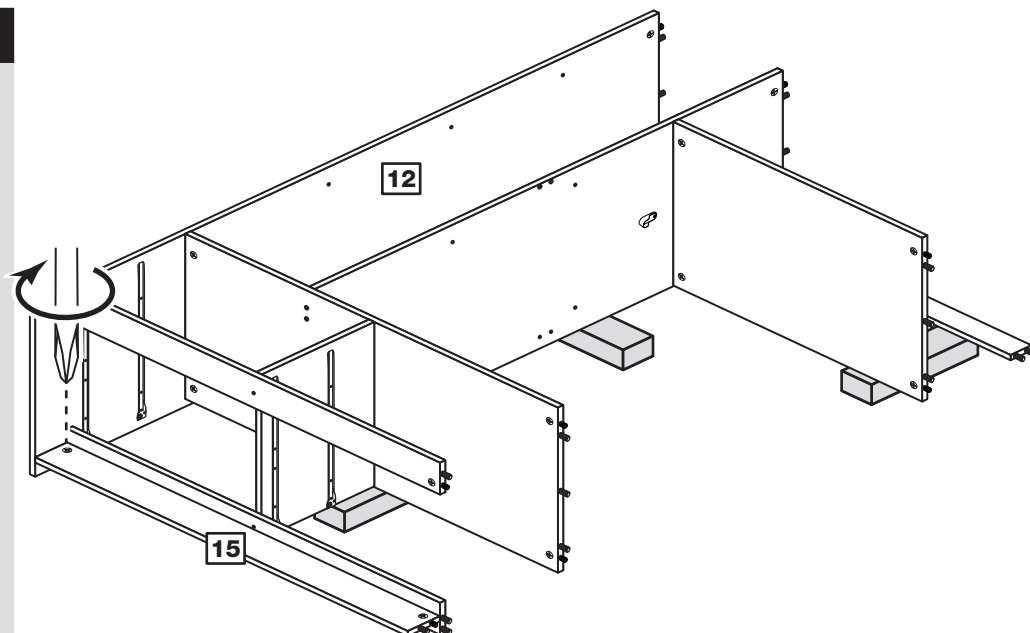
Step 26

Fit the plinth

Push the plinth **15** onto the right side **12**.

Turn the large locking cam nut **B** fitted to the plinth **15** clockwise as far as it will go to secure the panels.

Important: Make sure there is no gap between the fitted panels.



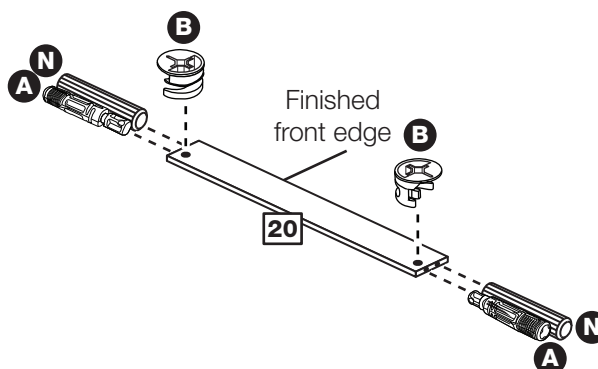
Step 27

Prepare the back rail

Insert 2 large locking cam nuts **B** into the back rail **20**.

Push 2 of the quickfit dowels **A** as far as they will go into the back rail **20**.

Tap 2 wooden dowels **N** into the back rail **20**.



Assembly Instructions

Step 28

Prepare the left side

a: Fit 2 CL runners **W a** to the left side **11**.

The 1st screw **H** uses the 1st hole in from the front of the runner.

The 2nd and 3rd screws **H** use the holes that line up with the other panel holes.

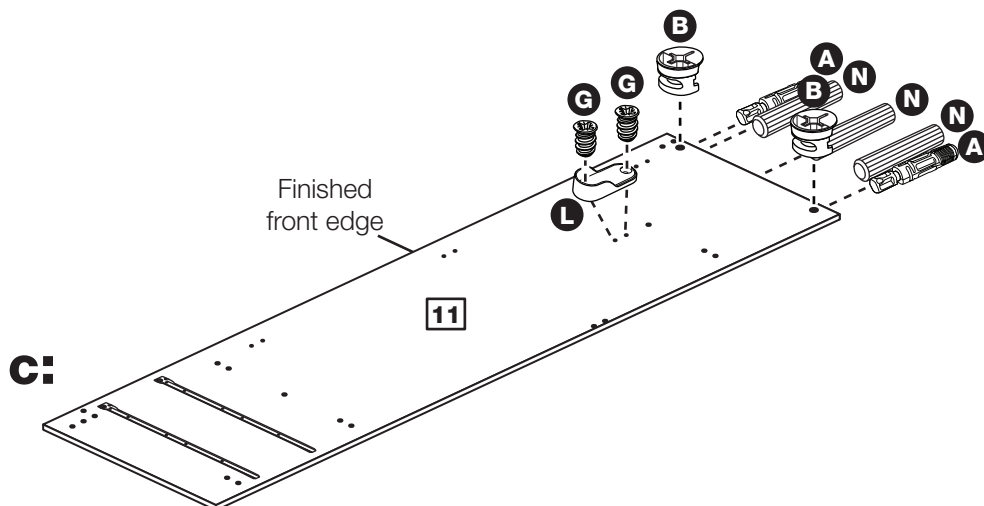
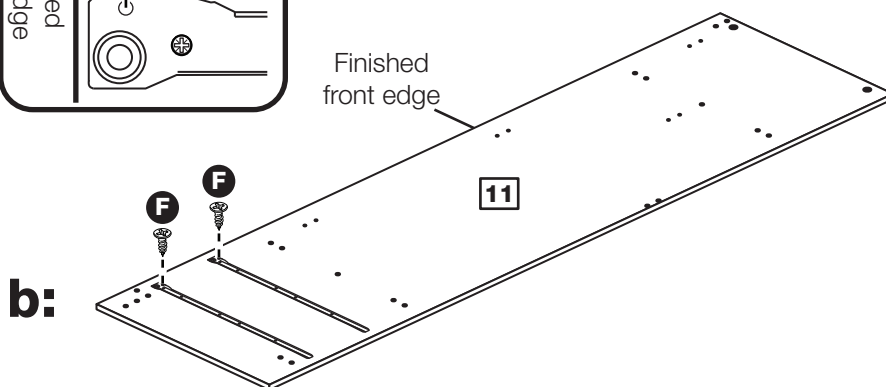
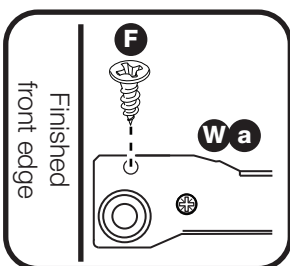
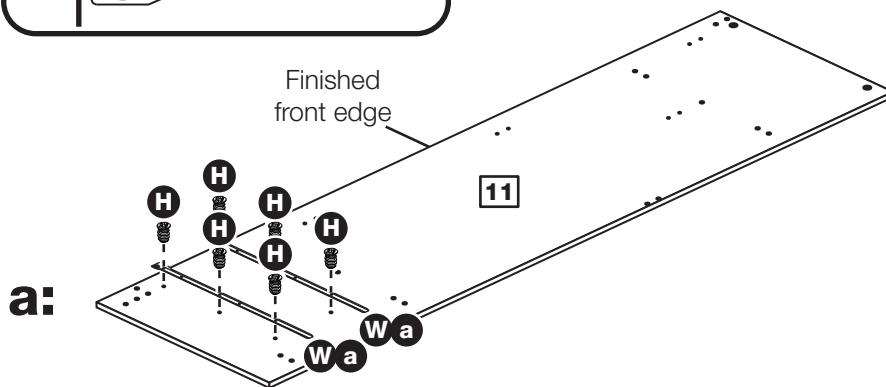
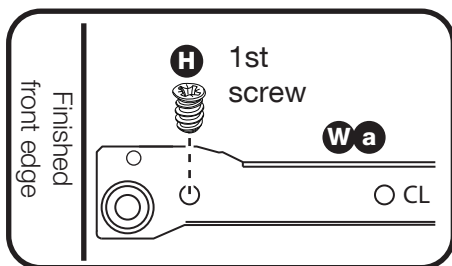
b: Fit a screw **F** into the hole at the top of the runner **W a**.

c: Insert 2 large locking cam nuts **B** into the left side **11**.

Push 2 of the quickfit dowels **A** as far as they will go into the left side **11**.

Tap 3 wooden dowels **N** into the left side **11**.

Fit a rail holder **L** to the left side **11** using 2 screws **G**.



Assembly Instructions

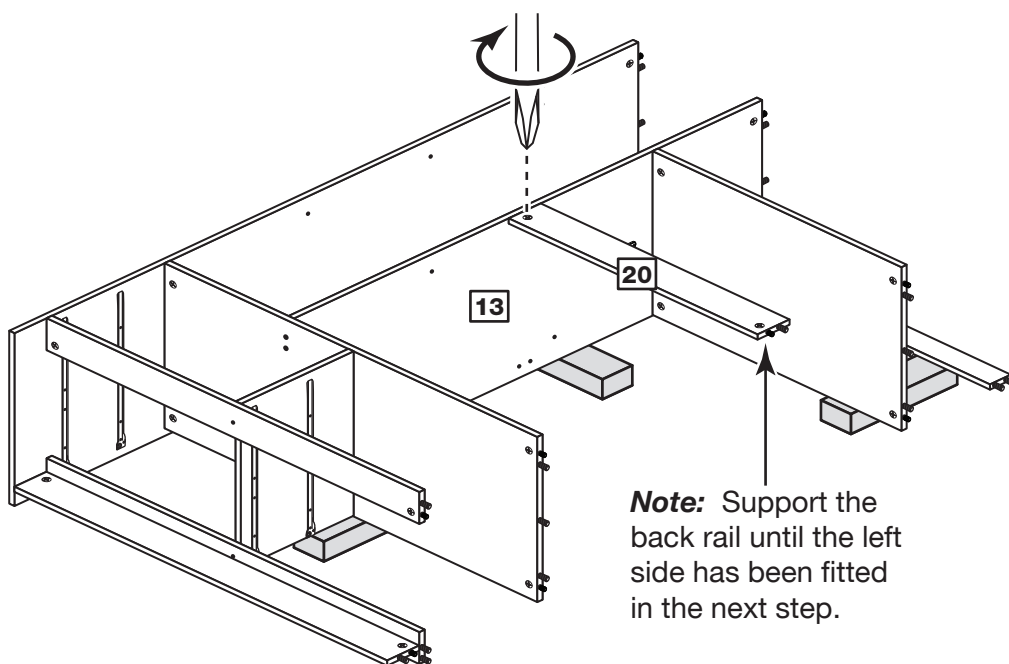
Step 29

Fit the back rail

Push the back rail **20** onto the divider **13**.

Turn the large locking cam nut **B** fitted to the back rail **20** clockwise as far as it will go to secure the panels.

Important: Make sure there is no gap between the fitted panels.



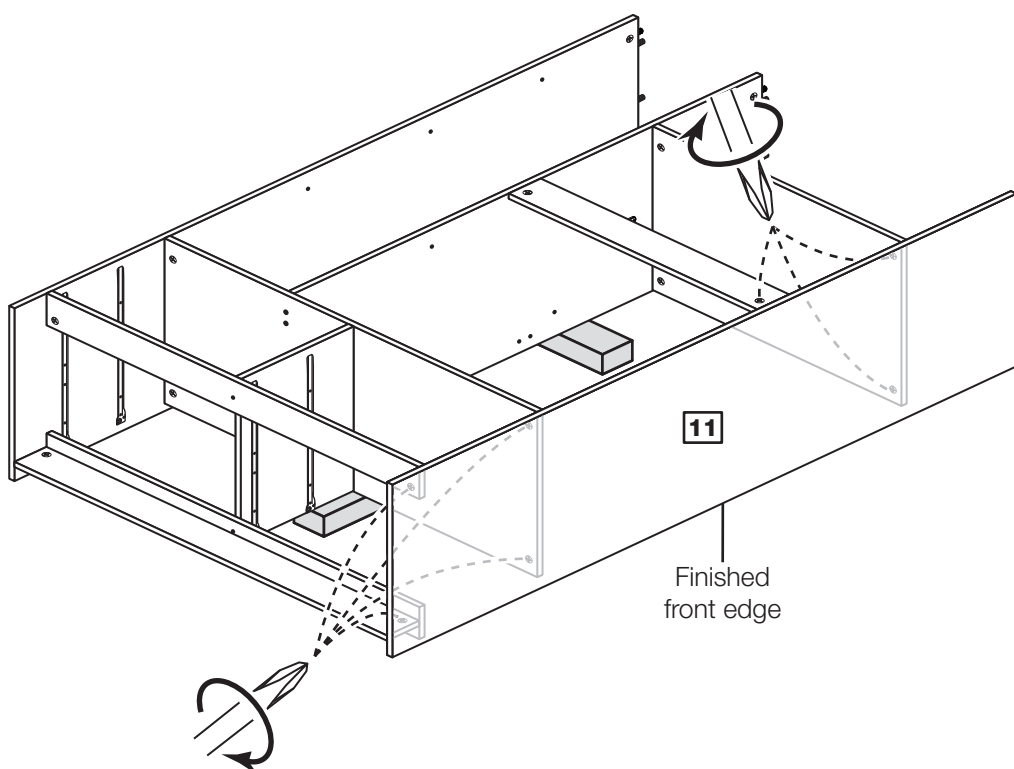
Step 30

Fit the left side

Push the left side **11** onto the assembly.

Turn the 7 large locking cam nuts **B** clockwise as far as it will go to secure the panels.

Important: Make sure there is no gap between the fitted panels.



Assembly Instructions

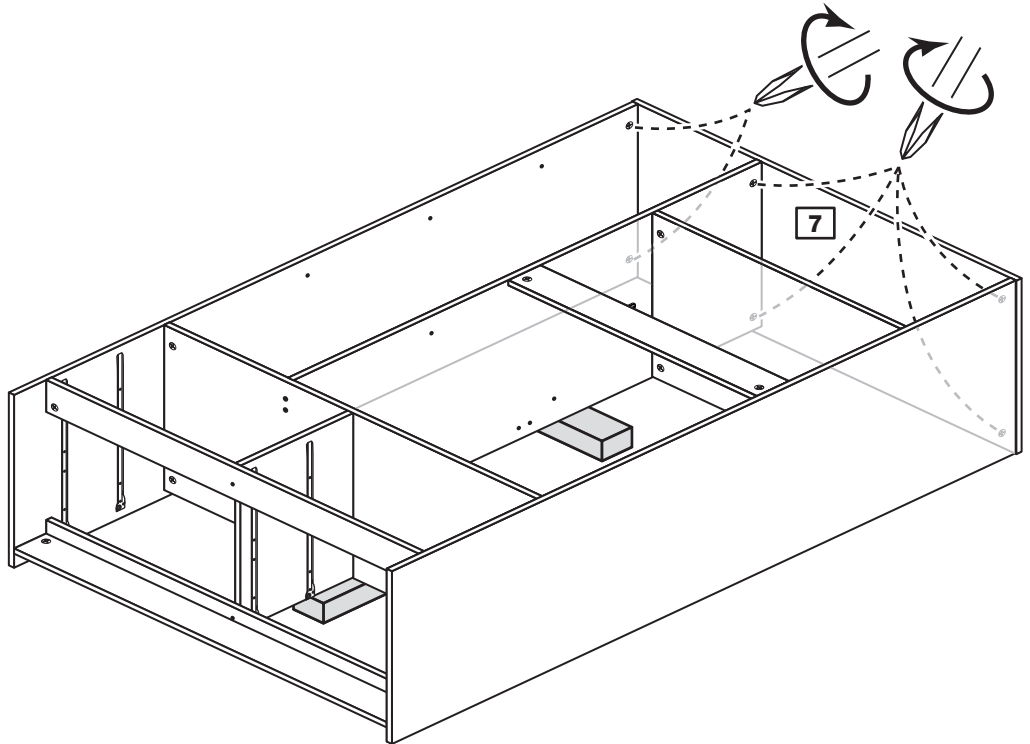
Step 31

Fit the top

Push the top **7** onto the assembly.

Turn the 6 large locking cam nuts **B** clockwise as far as it will go to secure the panels.

Important: Make sure there is no gap between the fitted panels.

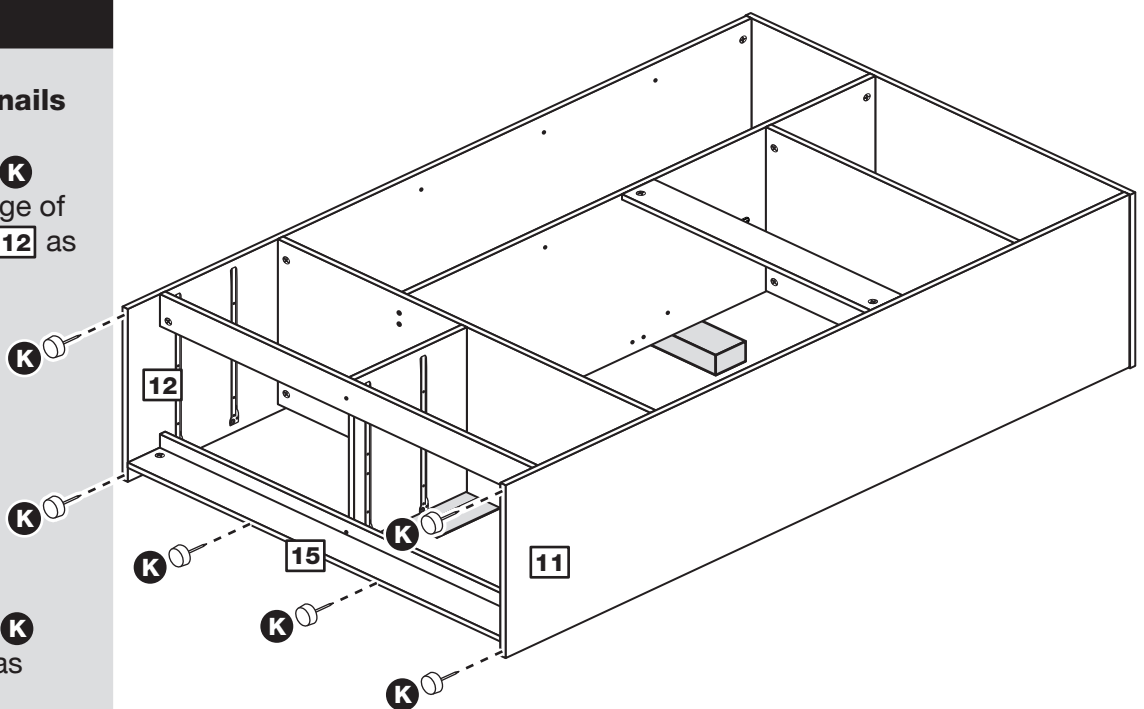


Step 32

Fit the 6 plastic nails

Tap 2 plastic nails **K** into the bottom edge of each side **11** and **12** as shown.

Tap 2 plastic nails **K** into the plinth **15** as shown.



Assembly Instructions

Step 33



Squaring up a Robe and fitting the Back Panel
www.youtube.com/watch?v=udEKmXmPEW0

Fit the back panels

a: Square up the unit by making sure that measurement **x:x equals y:y**.

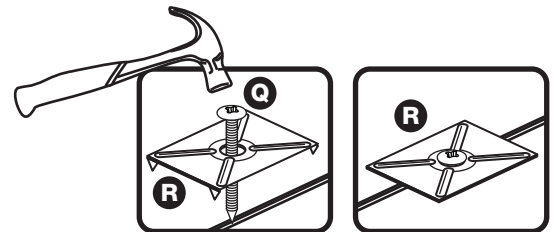
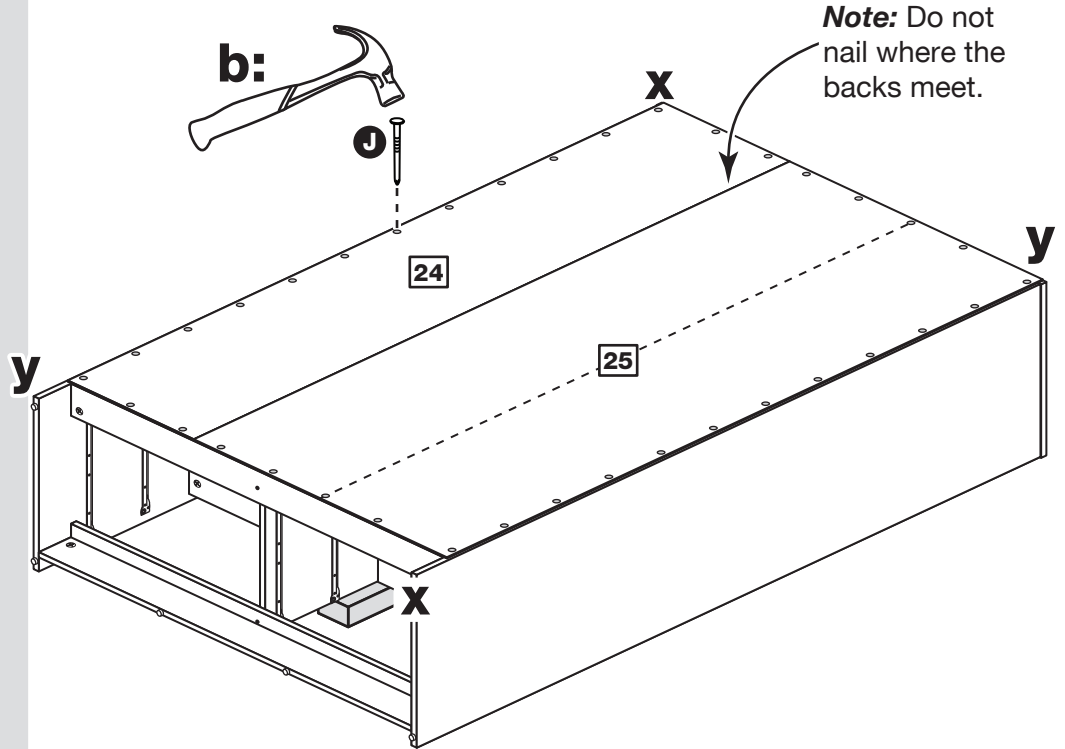
Place the small back **24** and the large back **25** down onto the unit as shown.

Make sure that the 2 backs are pushed up tight against each other and that they meet over the back edge of the divider.

b: Nail **J** around the outside edges of the 2 backs.

Note: Do not nail where the backs meet. Nails should be spaced out evenly.

a: The measurement from top corner X to bottom corner X must be equal to the measurement from top corner Y to bottom corner Y



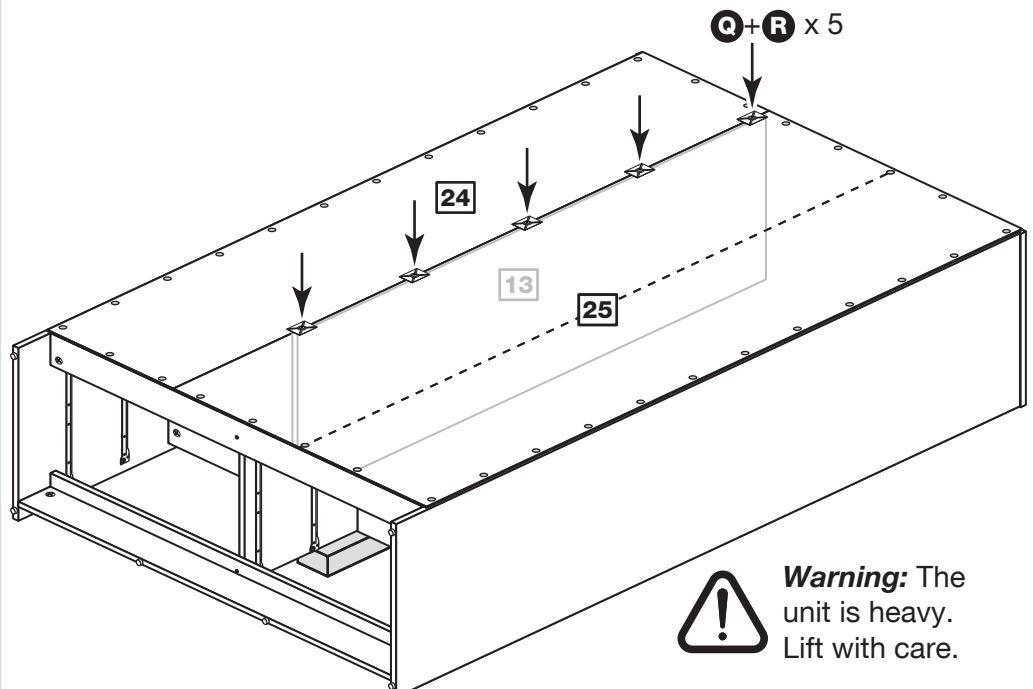
Step 34

Secure the backs

Tap the nail screws **Q** through the back holders **R** and down between the backs **24** and **25** into the back edge of the divider **13**.

Keep tapping the nail screws **Q** in until the back holders **R** dig into the small and large back.

Carefully stand the unit up for the next step.



Warning: The unit is heavy. Lift with care.

Assembly Instructions

Step 35

Fit the hanging rail and the drawers

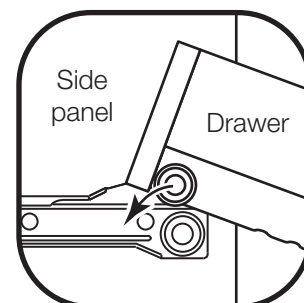
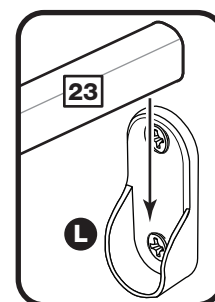
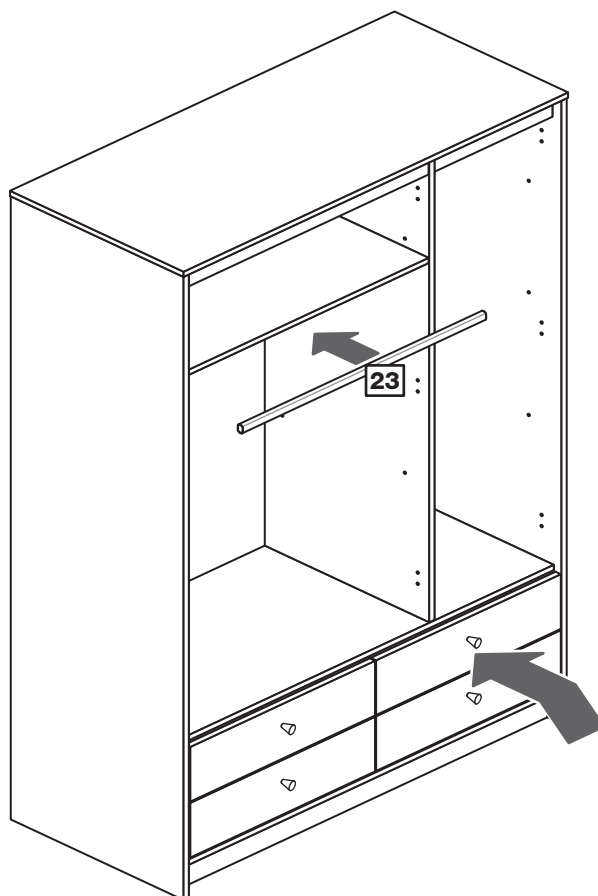
Push the hanging rail **23** into the rail holders **L**.

Slide the wheels of the runners fitted to the drawers, over the wheels of the runners fitted to the side panels and push the drawers into position.



Fixing Bottom Mounter Runners

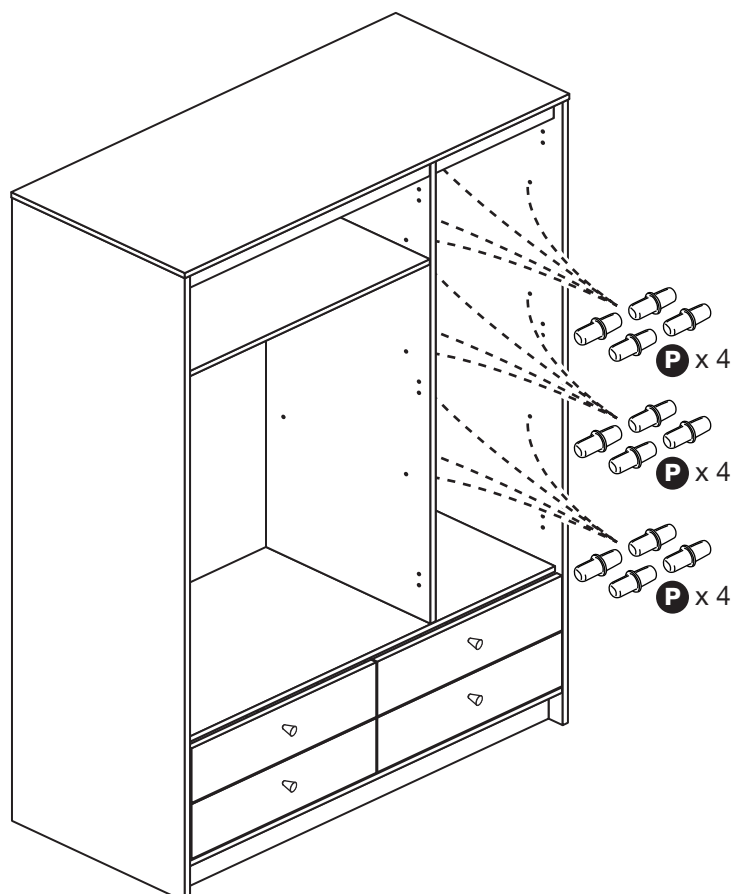
<https://www.youtube.com/watch?v=Z6lGMy19h7Q>



Step 36

Fit the shelf studs

For each of the 3 loose shelves **10**, insert 4 shelf studs **P** into the holes shown.

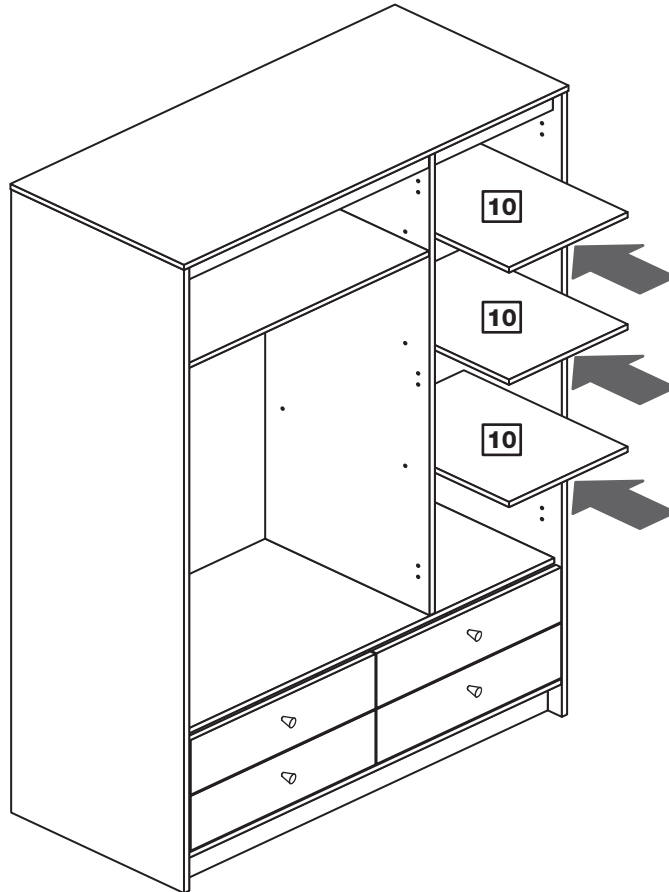


Assembly Instructions

Step 37

Fit the shelves

Lower the 3 loose shelves **10** down onto the shelf studs **P**.



Step 38

Prepare the 3 doors

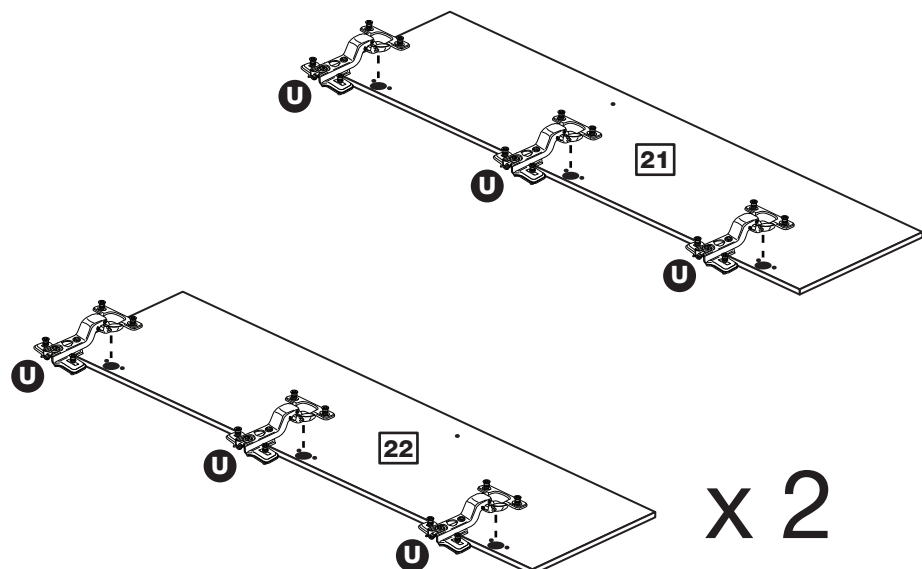
Push fit 3 hinges **U** into the left door **21**, the right door **22** and the middle door **22**.

Secure each hinge by tightening up its 2 screws.



Pre-mounted Hinge Fitting & Adjustment

<https://www.youtube.com/watch?v=b4NeCGnpjP8>



Assembly Instructions

Step 39

Fit the doors and the handles

2 people are needed here

Fit 1 door **21**, **22** and **22** at a time, by lining up the 2 screws in the top hinge **U** with the 2 holes at the top of the panel and push them in. Tighten the 2 screws on the hinge.

Fix the bottom hinge next, followed by the other hinge.

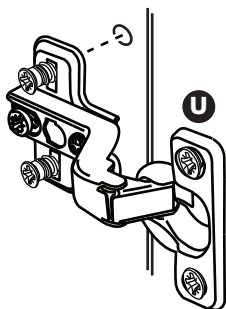
Attach a handle **T** to each door using screws **D**.



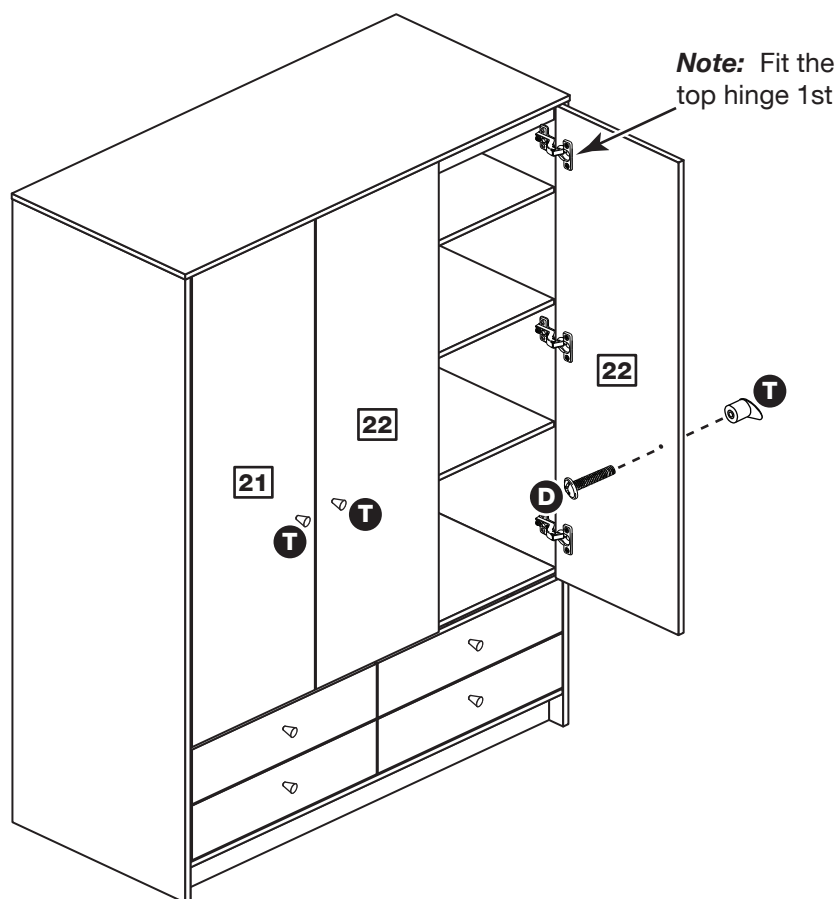
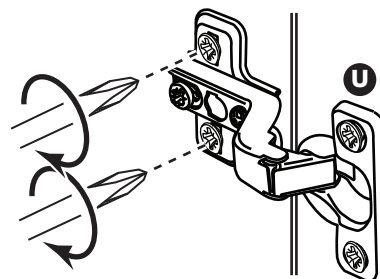
Pre-mounted Hinge Fitting & Adjustment

<https://www.youtube.com/watch?v=b4NeCGnpjP8>

Press the screws into the holes in the panels



When the hinges have been pushed in, tighten up their screws



Assembly Instructions

Step 40

Adjust the doors if needed

a: Before adjusting the doors, use a spirit level to check the base (or top) of the unit is level, front-to-back and side-to-side in the 3 positions shown. Use suitable packing pieces (not supplied) to make the unit level BEFORE making any adjustment to the hinges, as shown.

b: Height adjustment.

Loosen screws A on hinge plates and move door up or down as required. Retighten screw A.

c: Forward and Back adjustment.

Loosen screw B on hinge plate and move door in or out as required. Retighten screw B.

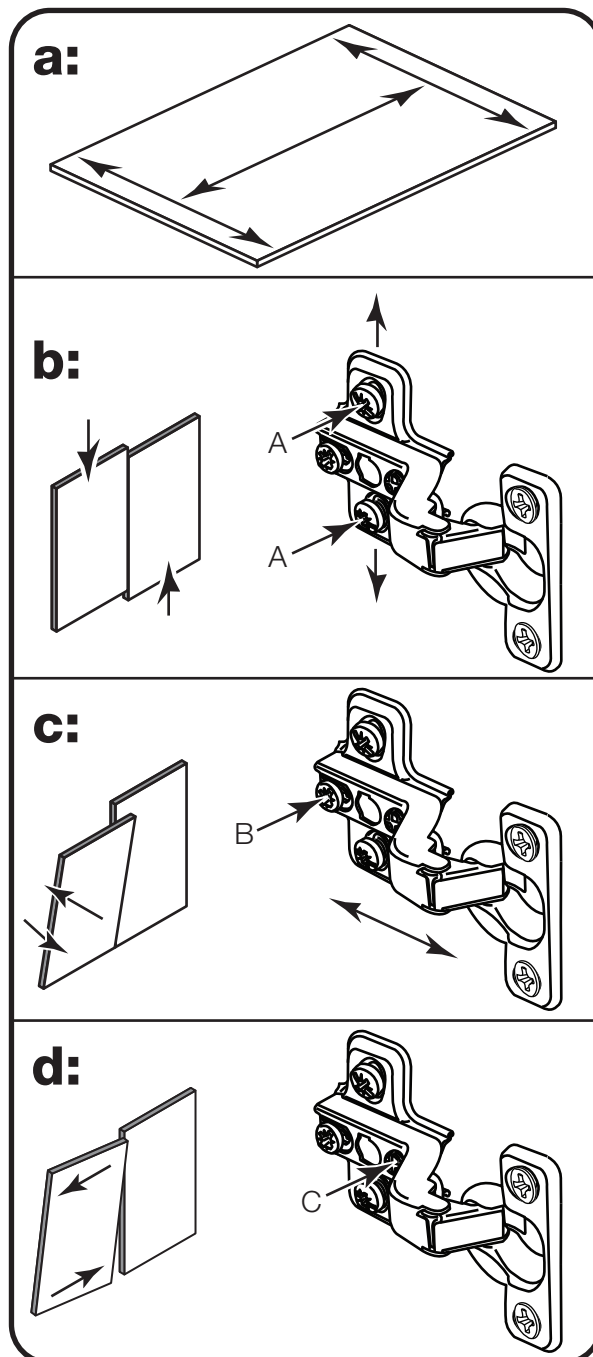
d: Sideways adjustment.

To move door 'out' loosen screw C. To move door 'in' tighten screw C.



Pre-mounted Hinge Fitting & Adjustment

<https://www.youtube.com/watch?v=b4NeCGnpjP8>



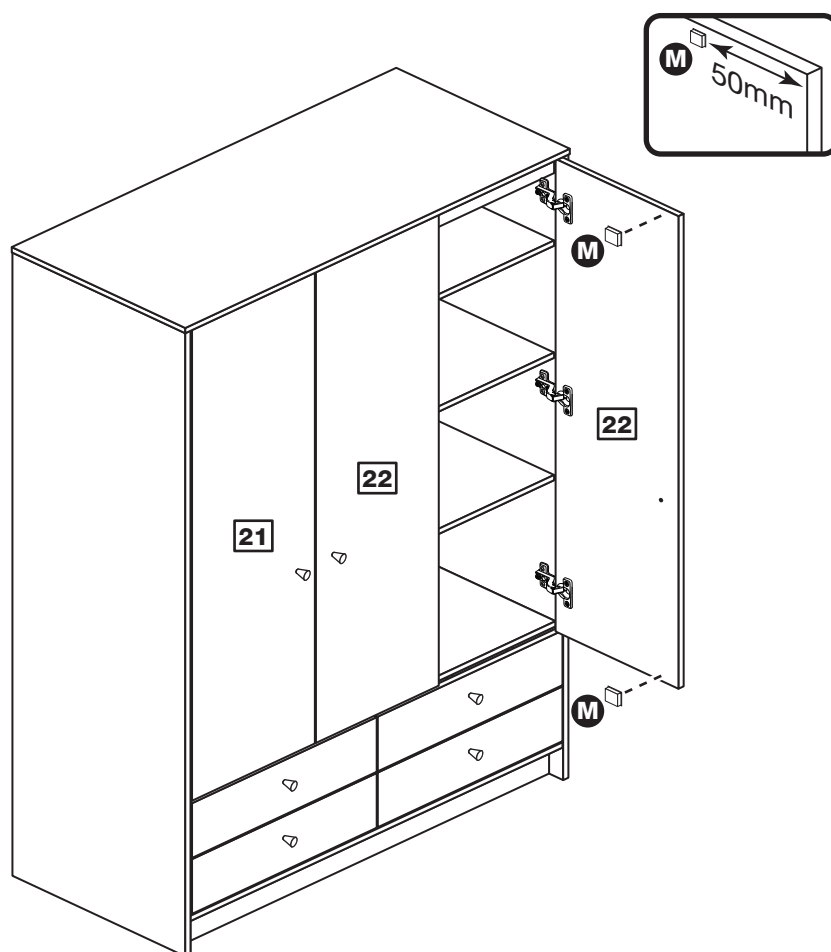
Assembly Instructions

Step 41

Fit the door buffers

Stick a door buffer **M** onto the top corner of each door **21**, **22** and **22** about 50mm in from the edge.

Stick a door buffer **M** onto the bottom corner of each door **21**, **22** and **22** about 50mm in from the edge.



Assembly Instructions

Step 42

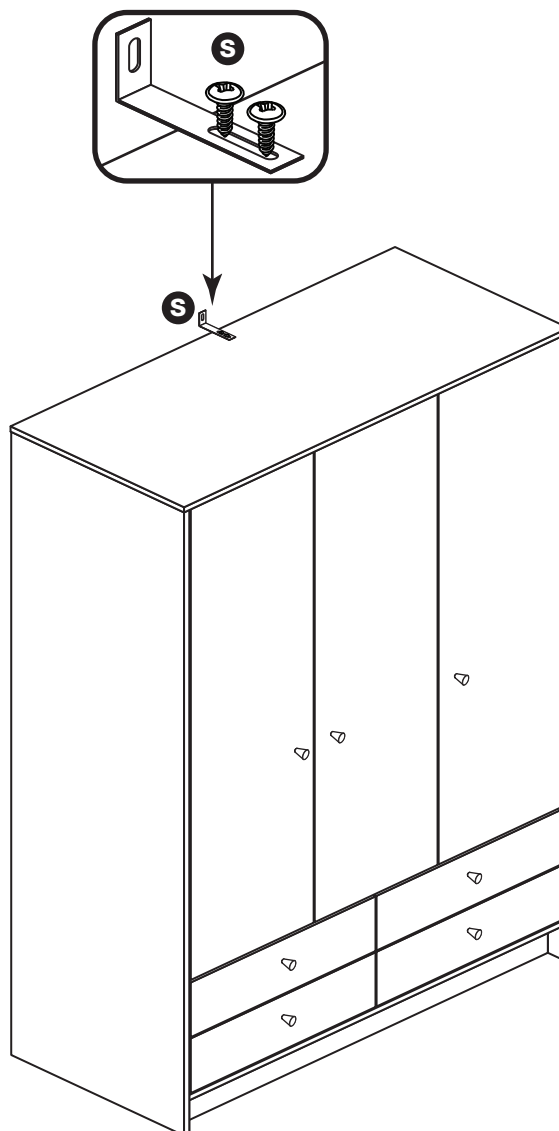
Fit the overbalance protector kit

To prevent possible overbalancing this unit **must be secured** to a suitable wall by fitting of the overbalance protector kit **S** to the unit, or an alternative fixing method of your choice.

Wall fixings are not supplied as they will need to suit the wall type.

Note: Take care when drilling the wall that you do not drill into any pipes, wires etc. If in doubt, consult an expert.

Assembly is complete



If you need help or have damaged or missing parts, please visit www.argos-support.co.uk or email: Help@ClickSpares.co.uk (quoting your original order number)
Alternatively, call the Spares Helpline on: 0370 112 1928.
For any other queries please contact the Customer Helpline on: 0345 640 2020

