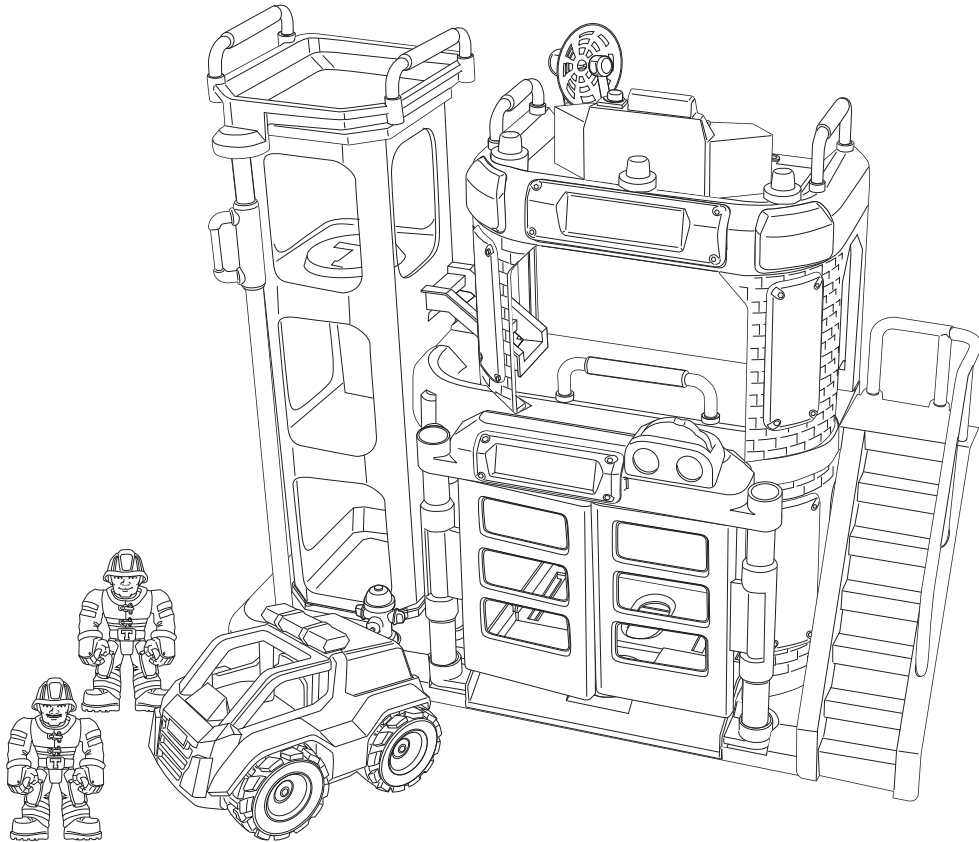


# Fire Station

Assembly & User Instructions - Please keep for future reference 541/9586



## Important

Age: 3 years +

## Important – Please read these instructions fully before assembly or use

These instructions contain important information which will help you get the best from your product and ensure safe and correct assembly, use and maintenance.

## Safety Information

**Important – Please read these instructions fully before assembly or use**

### General safety

Not suitable for children under 36 months due to small parts - choking hazard. Remove all packaging before giving to your child.

Please keep this packaging for reference since it contains important information. Adult assembly required. Please read enclosed instructions before use. Young children in play are unaware of potential dangers and hazards, therefore responsible adult supervision is essential.

#### Safety Battery Precaution

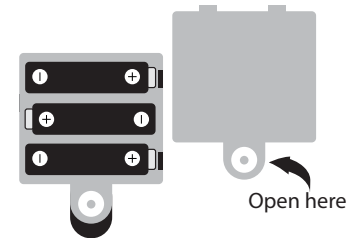
Non-rechargeable batteries are not to be recharged. Rechargeable batteries are to be removed from the toy before being charged. Rechargeable batteries are only to be charged under adult supervision. Different types of batteries or new and used batteries are not to be mixed. Only batteries of the same or equivalent types as recommended are to be used. Batteries are to be inserted with correct polarity. Exhausted batteries are to be removed from the toy. The supply terminals are not to be short-circuited. Do not dispose of the battery in fire, battery may leak or explode. Battery should be replaced by adult.

#### Battery Installation & Replacement

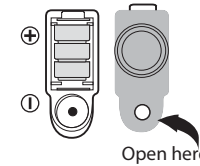
Loosen the screw by screw driver to open the battery compartment door at the back of the product. Insert/replace the new battery in the proper direction indicated inside the battery compartment. Close and screw the battery door.



Batteries are NOT included

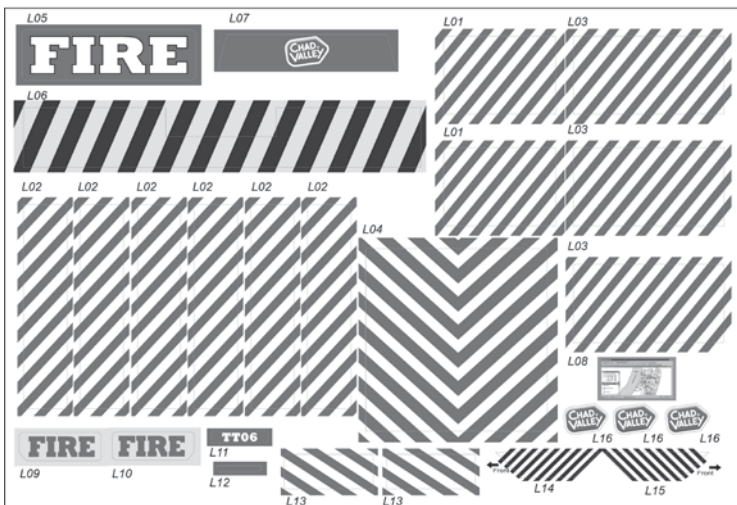
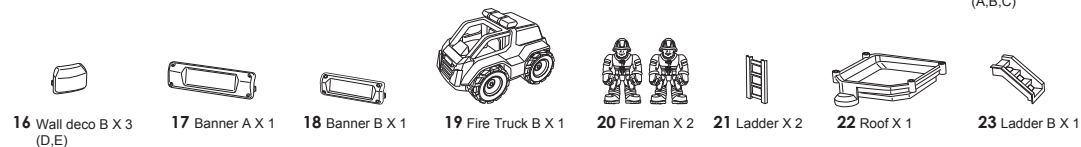
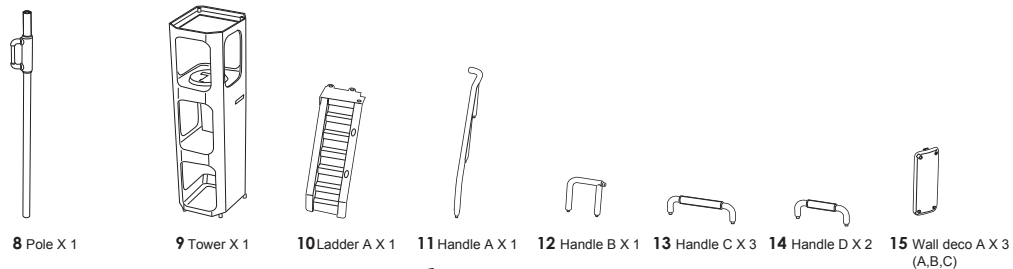
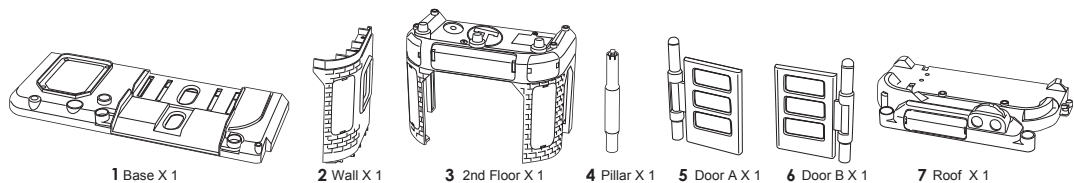


Batteries are included



# Parts

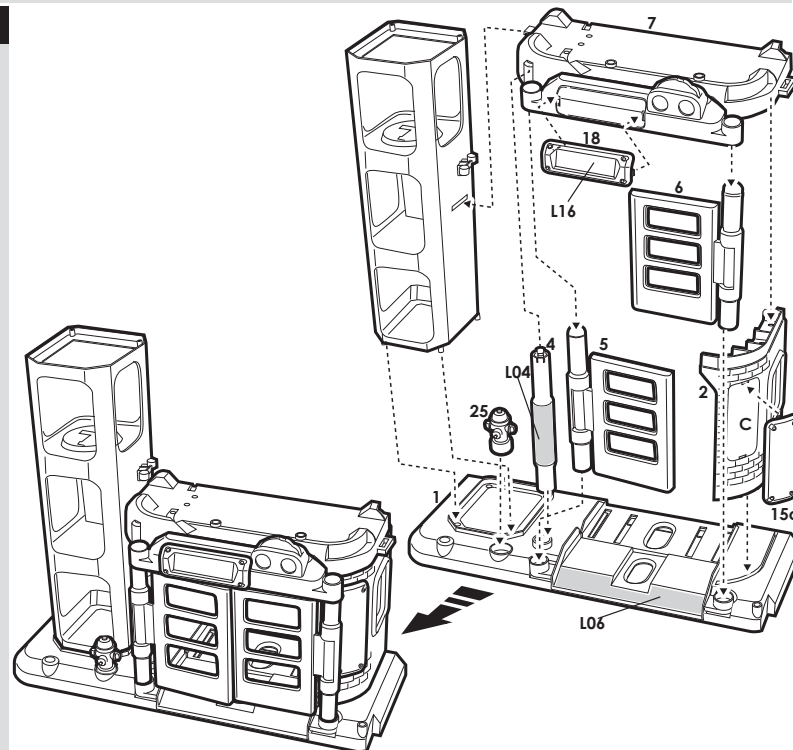
Please check you have all the parts and fittings listed below



# Assembly Instructions

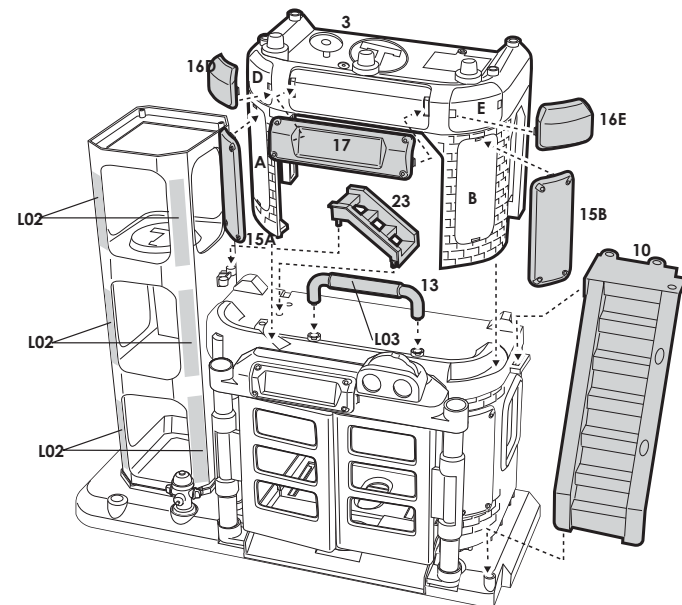
## Step 1

Assemble the parts as shown.



## Step 2

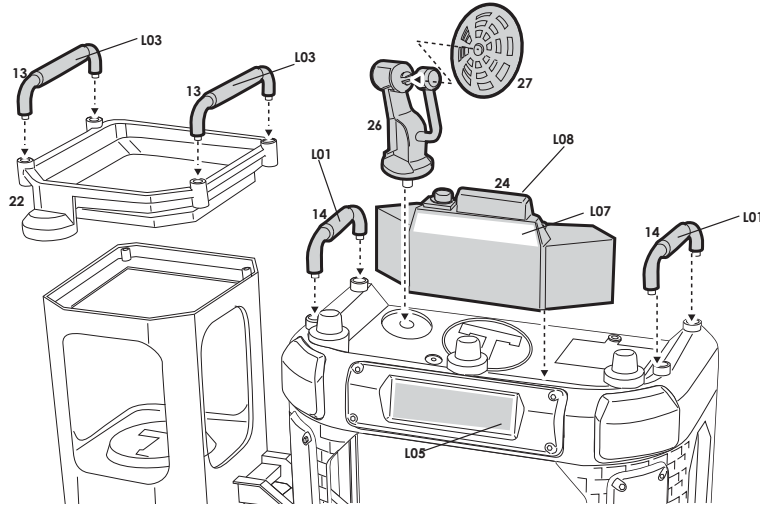
Assemble the parts as shown.



# Assembly Instructions

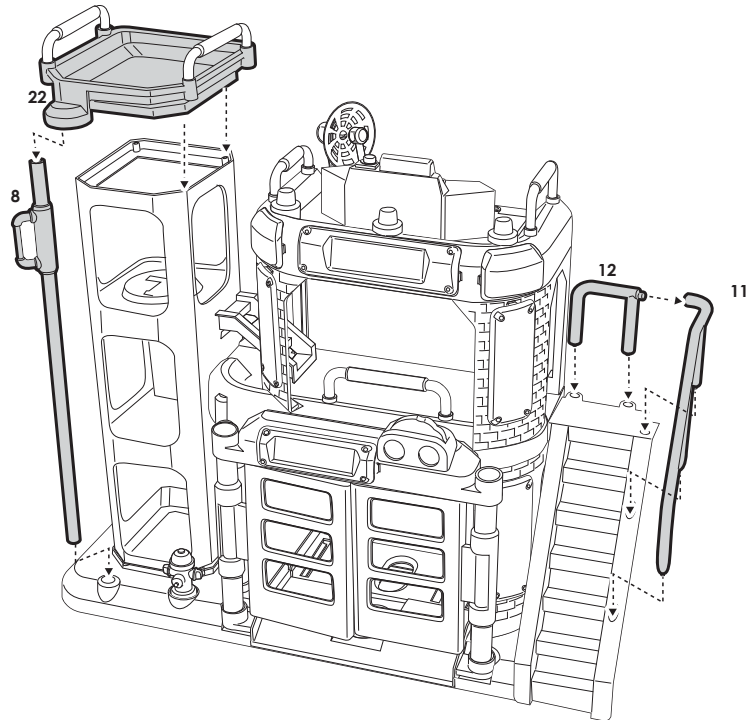
## Step 3

Assemble the parts as shown.



## Step 4

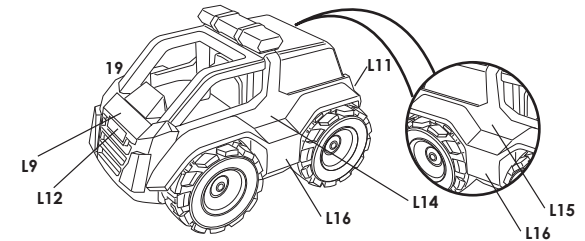
Assemble the parts as shown.



# Assembly Instructions

## Step 5

Stick the labels as shown.

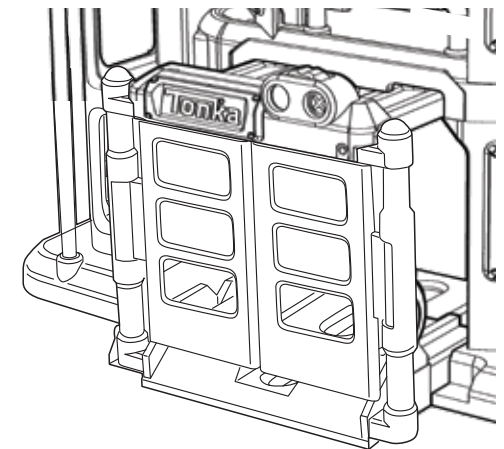
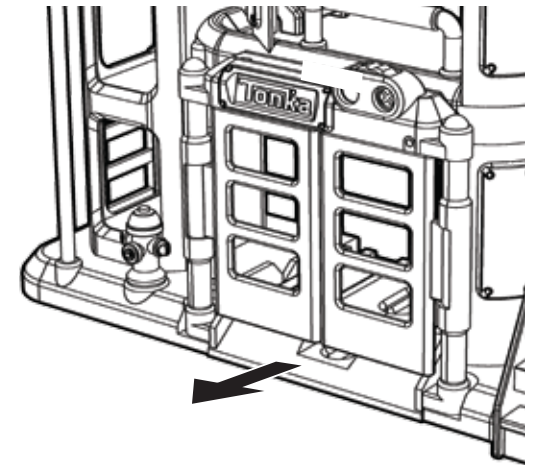


# User Instructions

## Basic play

### Step 1

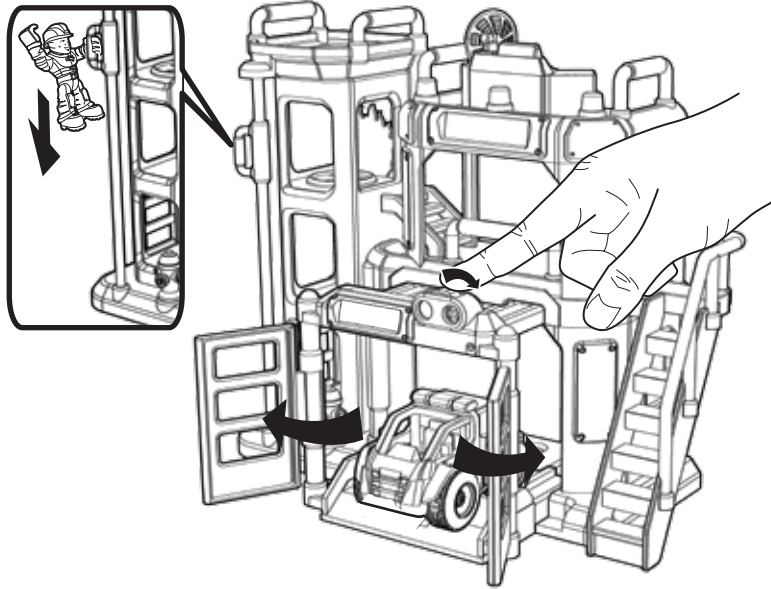
Extract the car compartment as shown.



# User Instructions

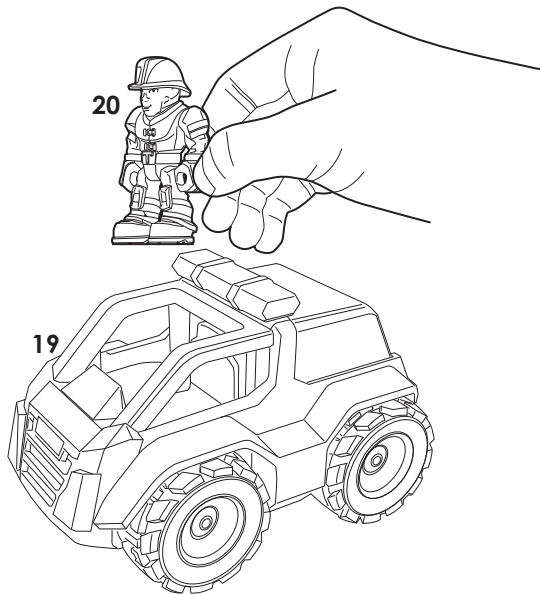
## Step 2

Extract the car compartment as shown.



## Step 3

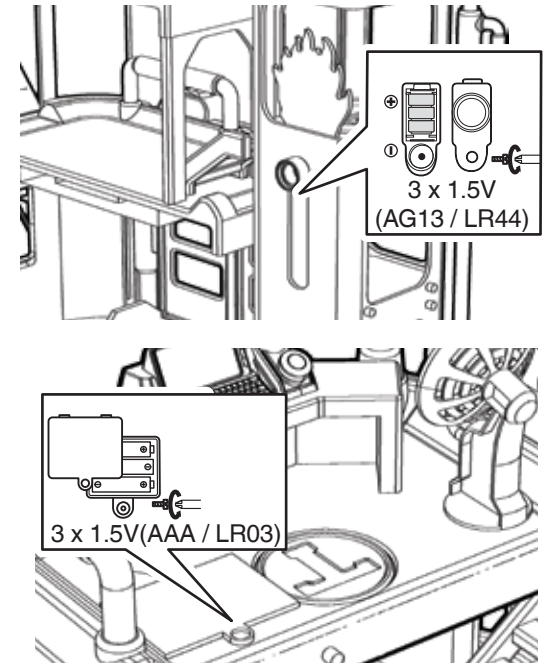
Place fireman in car seat as shown.



# User Instructions

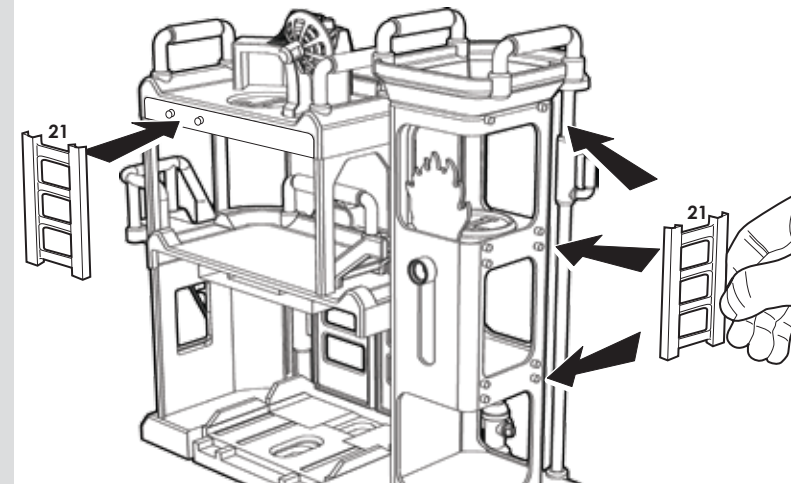
## Step 4

Assemble the batteries as shown.



## Step 5

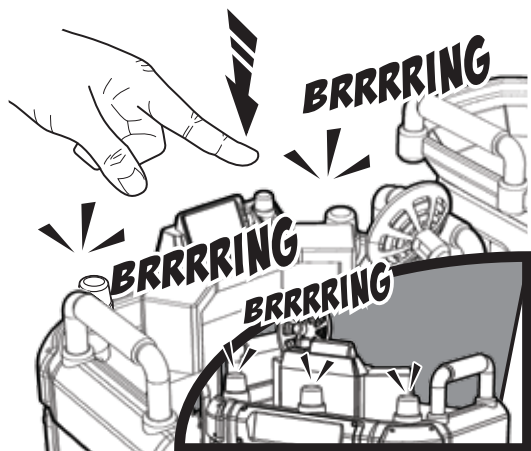
Place ladder to play alternative as shown.



# User Instructions

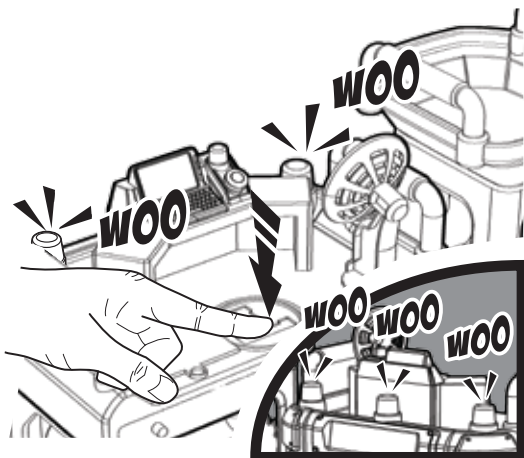
## Step 6

Press the button to play lights and sounds as shown.



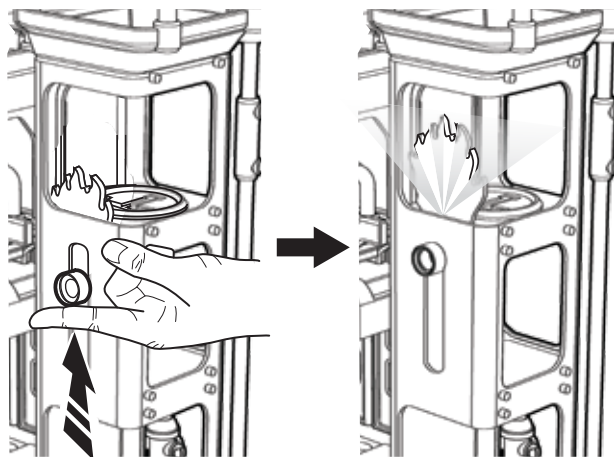
## Step 7

Press the button to play lights and sounds as shown.



## Step 8

Up the button to play fire light as shown.



# Care and Maintenance

## General

- Wipe clean with damp cloth before storage.
- Adults should inspect the product regularly for broken or damage parts.

## Disposal information



Electrical product waste should not be discarded with household waste. Please actively support us in conserving resources and protecting the environment by returning the non-working electrical products to an appropriate disposable/recycling centre (if available).



**Not suitable for children under 36 months.**  
**Choking hazard due to small parts.**

If you need help or have damaged or missing parts, call the **Customer Helpline: +44 (0)1253775570**

Produced for Chad Valley Toys Argos Ltd. Country of origin: Made in China

Address: 489-499 Avebury Boulevard, Central Milton Keynes, MK9 2NW.