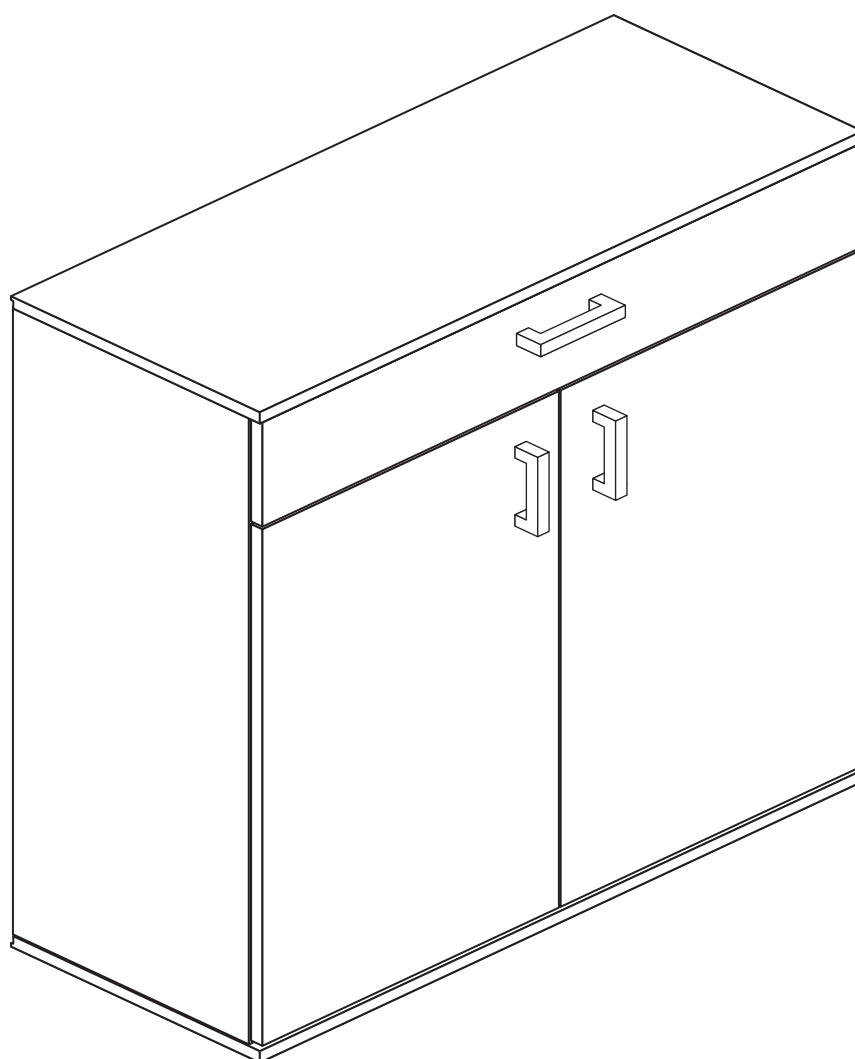


Napoli - Shoe Storage

Assembly Instructions - Please keep for future reference

932/6936



Dimensions

Width - 80cm

Depth - 33cm

Height - 86cm



**MADE IN
BRITAIN**

Important - Please read these instructions fully before starting assembly

If you need help or have damaged or missing parts, call the **Customer Helpline: 08456 400800**



Safety and Care Advice

Important - Please read these instructions fully before starting assembly

- **Warning:** This unit weighs approximately 28kgs. Please lift with care.

- Check you have all the components and tools listed on pages 2 and 3.

- Remove all fittings from the plastic bags and separate them into their groups.

- Keep children and animals away from the work area, small parts could choke if swallowed.

- Parts of the assembly will be easier with 2 people.

- Make sure you have enough space to layout the parts before starting.

- Do not stand or put weight on the product, this could cause damage.

- Assemble the item as close to its final position (in the same room) as possible.

- Assemble on a soft level surface to avoid damaging the unit or your floor (use opened out unit carton).



- We do not recommend the use of power drill/drivers **for inserting screws**, as this could damage the unit. Only use hand screwdrivers.

- **Safety note:** It is recommended that this unit is secured to a wall using the bracket supplied.

- Dispose of all packaging carefully and responsibly.

Care and maintenance

- Only clean using a damp cloth and mild detergent, do not use bleach or abrasive cleaners.

- From time to time check that there are no loose screws on this unit.

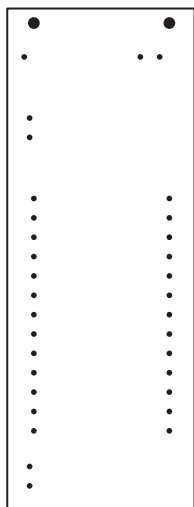
- This product should not be discarded with household waste. Take to your local authority waste disposal centre.

Note: If required the next page can be cut out and used as reference throughout the assembly. Keep this page with these instructions for future reference.

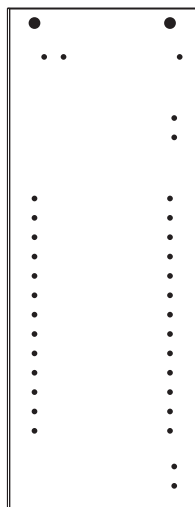
Components - Panels

If you have damaged or missing components, call the **Customer Helpline: 08456 400800** quoting the reference numbers below

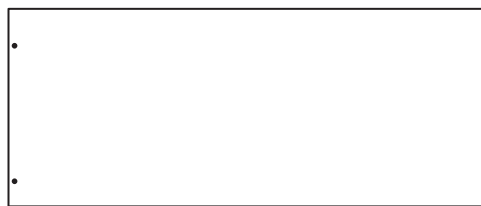
Please check you have all the panels listed below



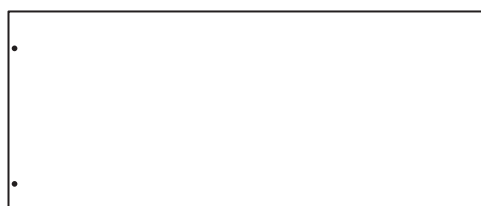
1 Left Side (D0844A)
(830 x 312mm)



2 Right Side (D0845A)
(830 x 312mm)



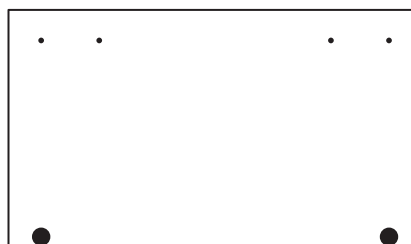
3 Top (D0846A)
(797 x 329mm)



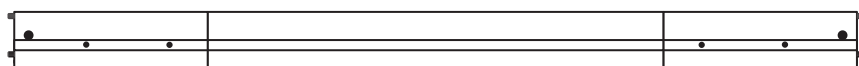
4 Base (D0847A)
(797 x 329mm)



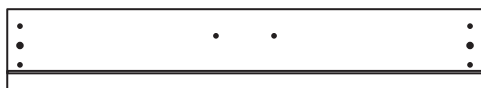
5 Loose Shelf (D0850A)
(760 x 308mm) x 3



6 Door (D0849A)
(683 x 392mm) x 2



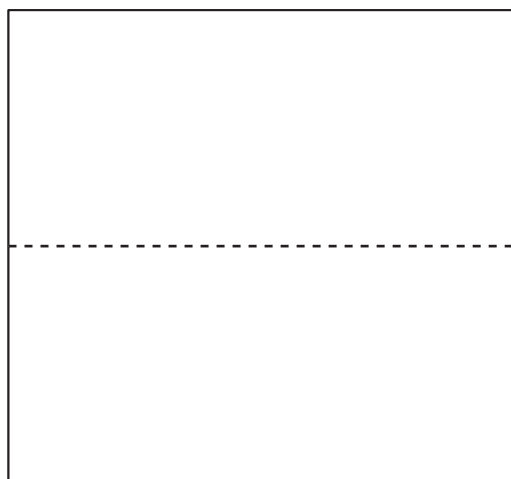
7 Drawer Wrap (W429)
(1393 x 95mm)



8 Drawer Front (D0848A)
(786 x 138mm)



9 Drawer Base (T429)
(319 x 740mm)



10 Back (X803)
(848 x 780mm)

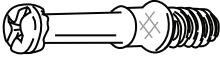


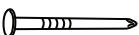







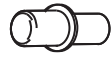
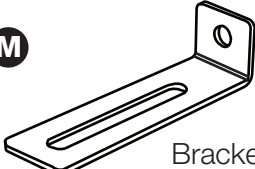

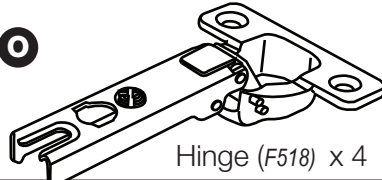

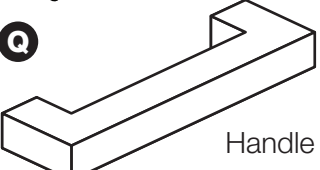


Components - Fittings

If you have damaged or missing components, call the **Customer Helpline: 08456 400800** quoting the reference numbers below

Please check you have all the fittings listed below

Note: The quantities below are the correct amount to complete the assembly. In some cases more fittings may be supplied than are required.

<p>A </p> <p>Metal dowel (F901) x 6</p>	<p>B </p> <p>Large locking nut (F900) x 4</p>	<p>C </p> <p>Small locking nut (F3) x 2</p>
<p>D </p> <p>Nail (F51) x 22</p>	<p>E </p> <p>40mm Screw (F910) x 4</p>	<p>F </p> <p>25mm Screw (F50) x 6</p>
<p>G </p> <p>15mm Screw (F284) x 1</p>	<p>H </p> <p>13mm Screw (F63) x 8</p>	<p>I </p> <p>9mm Screw (F74) x 2</p>
<p>J </p> <p>9mm Screw (F73) x 4</p>	<p>K </p> <p>Plastic Nail (F91) x 4</p>	<p>L </p> <p>Shelf support (F121) x 12</p>
<p>M </p> <p>Bracket (F327) x 1</p>	<p>N </p> <p>Hinge plate (F523) x 4</p>	<p>O </p> <p>Hinge (F518) x 4</p>
<p>P </p> <p>Drawer runner (F1004) x 2</p>		<p>Q </p> <p>Handle (F236) x 3</p>

Assembly Instructions

If you have damaged or missing components, call the
Customer Helpline: 08456 400800 quoting the reference
numbers below

Step 1

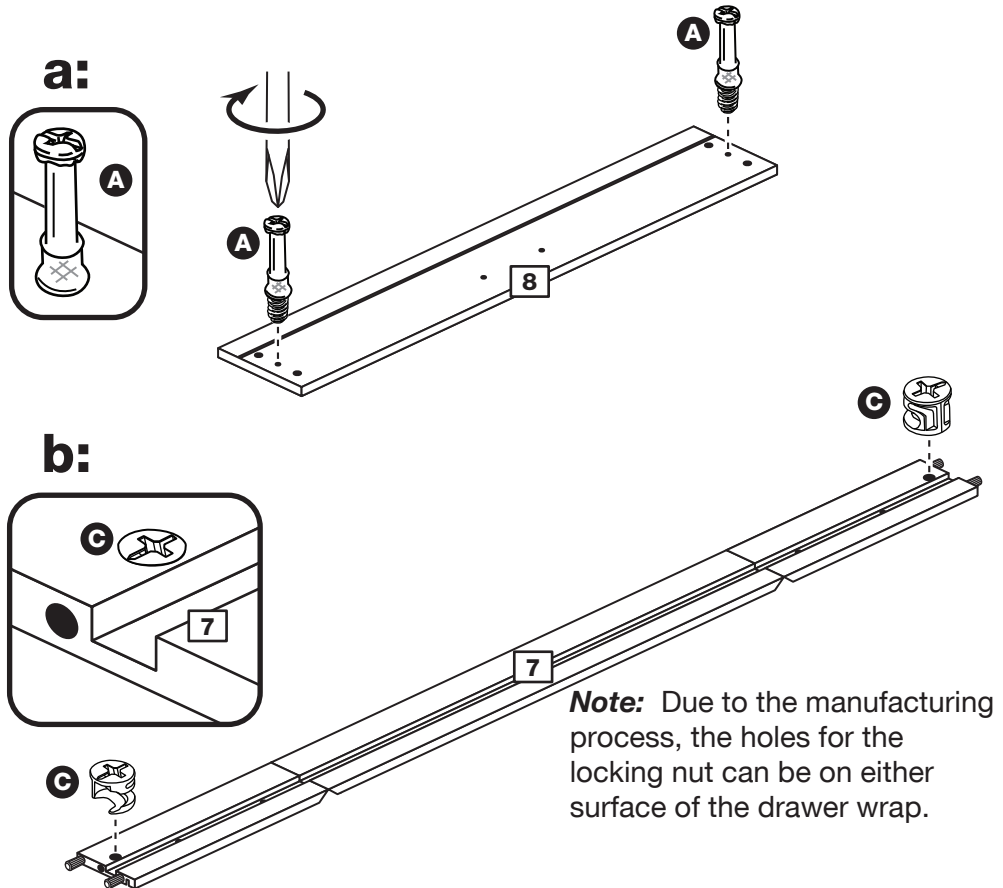
Prepare the drawer front and wrap

a: Screw 2 metal dowels **A** into the holes shown on the back of the drawer front **8**.

Note: Tighten the metal dowels up fully against the panel.

b: Insert 2 small locking nuts **C** into the holes shown on the drawer wrap **7**.

Note: The arrow on the locking nut **must** point towards the hole in the edge of the panel.



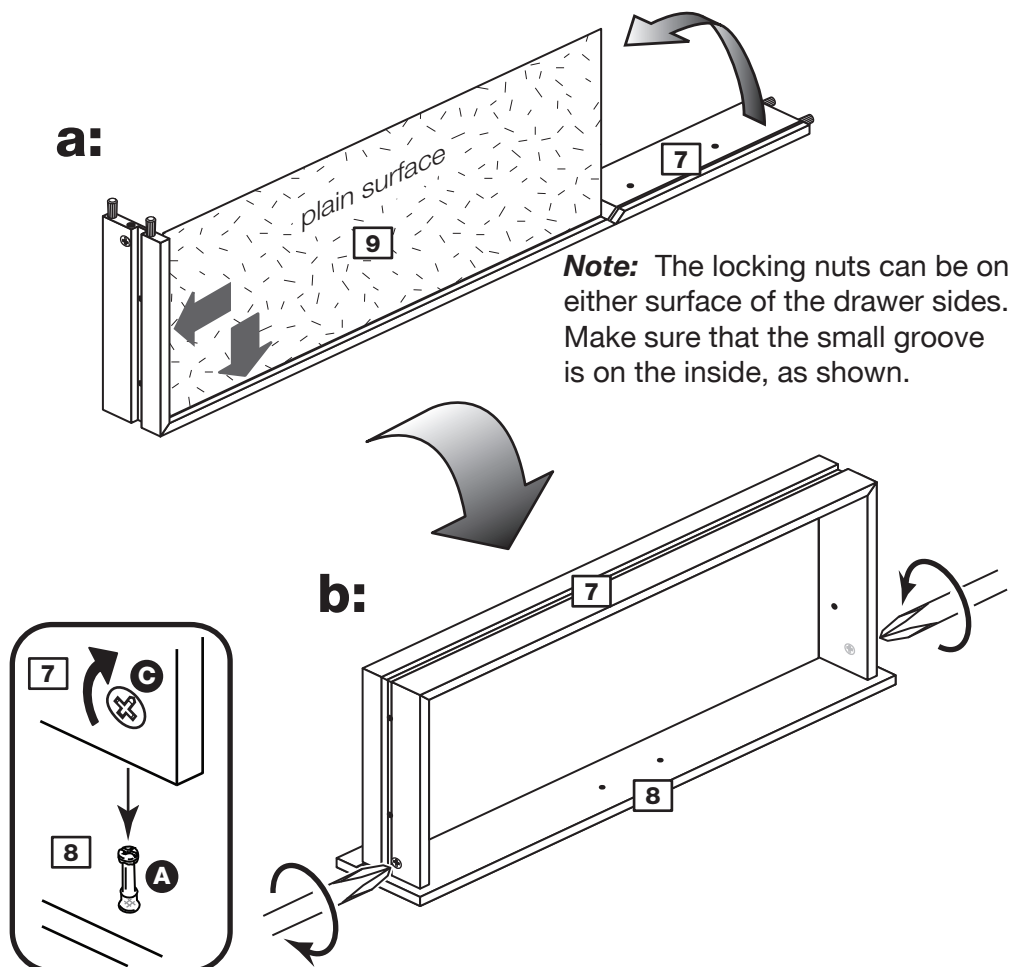
Step 2

Assemble the drawer

a: Place the drawer base **9** into the narrow slot on the drawer wrap **7**. Fold the wrap around the base.

b: Turn the drawer wrap assembly over and push it onto the back of the drawer front **8**.

Note: Turn the locking nuts **C** clockwise to secure panels - more than 1/2 a turn.

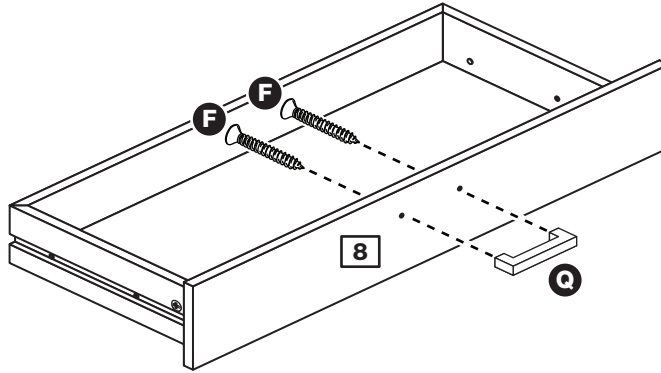


Assembly Instructions

Step 3

Attach the handle

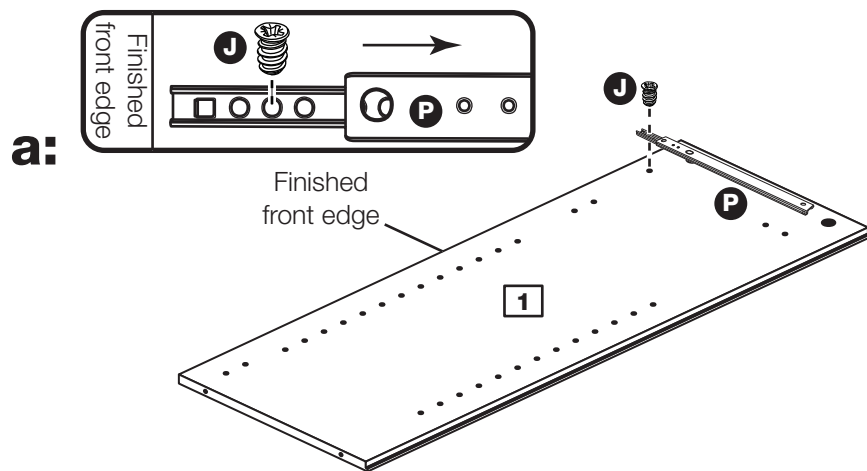
Attach a handle **Q** to the drawer front **8** using 2 screws **F**.



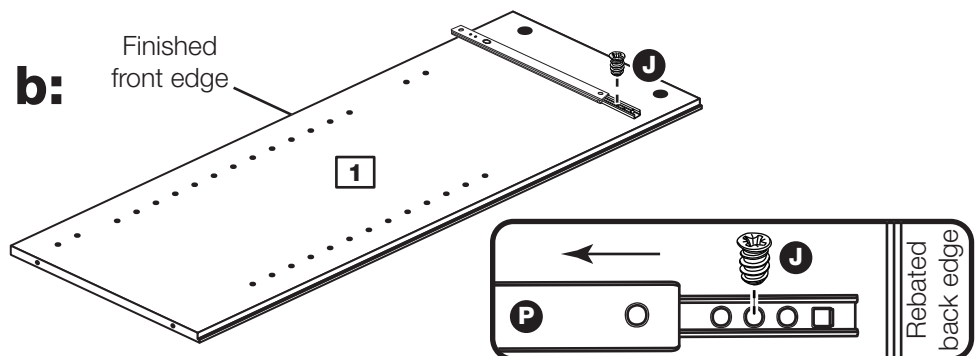
Step 4

Fit runners to left side

a: Place a runner **P** on the left side **1**. Slide back the top of runner and use the 2nd hole from the front to fit the 1st screw **J**.



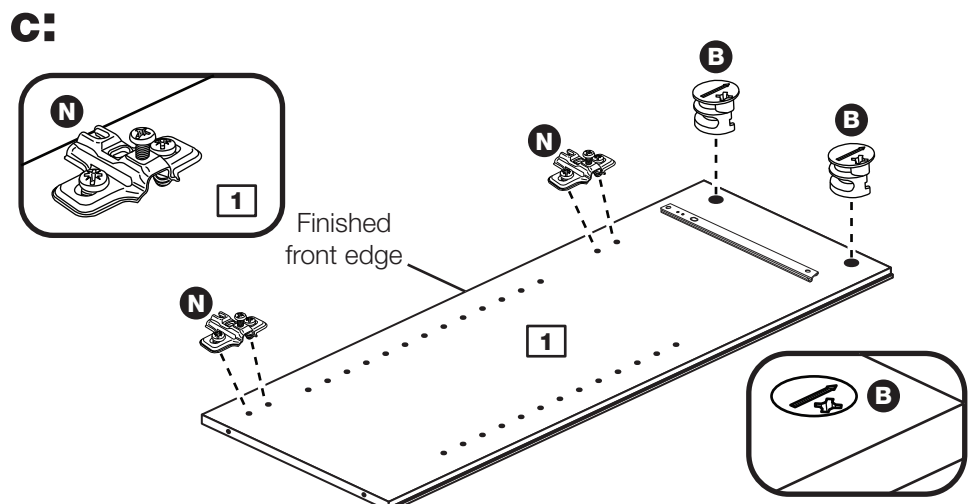
b: Slide runner back the other way and use 2nd hole from the back to fit 2nd screw **J**.



c: Insert 2 large locking nuts **B** into the left side **1**.

Note: The arrow on the locking nut **must** point towards the hole in the edge of the panel.

Fit 2 hinge plates **N** onto the left side **1**, making sure that the slot is facing towards the finished front edge.

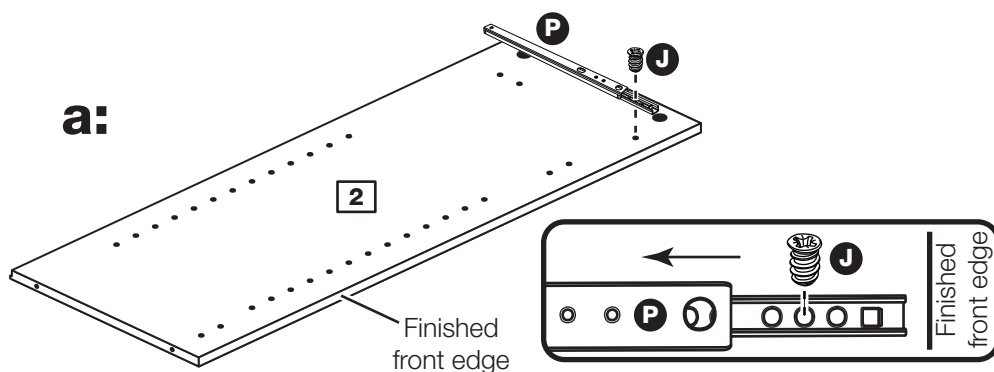


Assembly Instructions

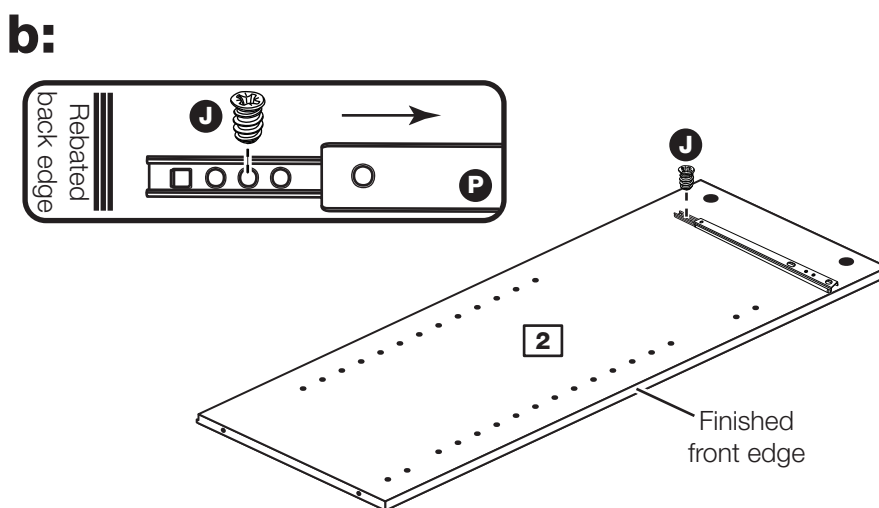
Step 5

Fit runners to right side

a: Place a runner **P** on the right side **2**. Slide back the top of runner and use the 2nd hole from the front to fit the 1st screw **J**.



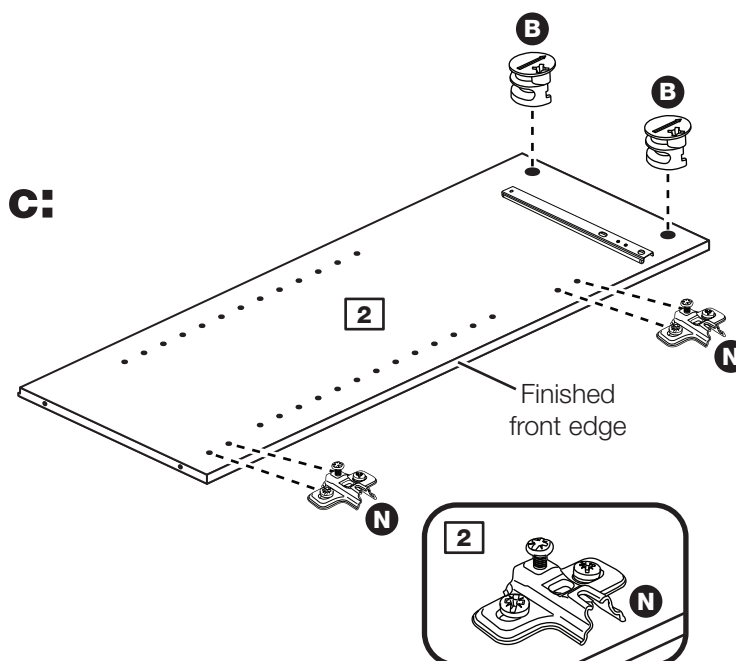
b: Slide runner back the other way and use 2nd hole from the back to fit 2nd screw **J**.



c: Insert 2 large locking nuts **B** into the right side **2**.

Note: The arrow on the locking nut **must** point towards the hole in the edge of the panel.

Fit 2 hinge plates **N** onto the right side **2**, making sure that the slot is facing towards the finished front edge.



Assembly Instructions

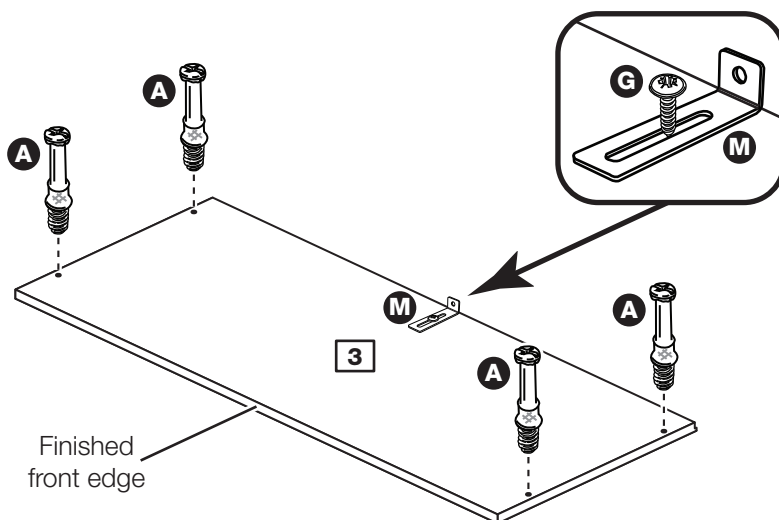
Step 6

Prepare the top

Note: The top and base panels are very similar but, the holes in the top panel are not drilled all the way through.

Fix a bracket **M** to the middle of the top **3**, flush to the back edge, using screw **G**.

Screw 4 metal dowels **A** into the holes shown on the top **3**.



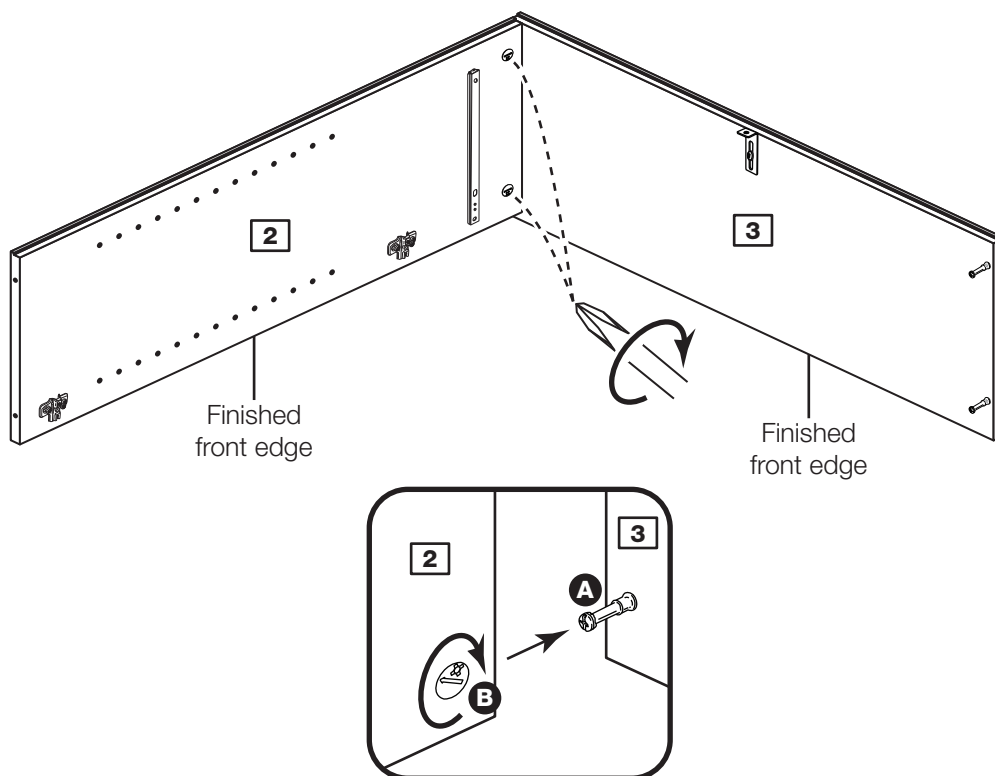
Step 7

Join the top and right side

Push the top **3** onto the right side **2**.

Use a screwdriver to tighten the 2 large locking nuts **B** fitted to the right side **2**.

Note: Turn the large locking nuts **B** as far as they will go - more than 1/2 a turn.



Assembly Instructions

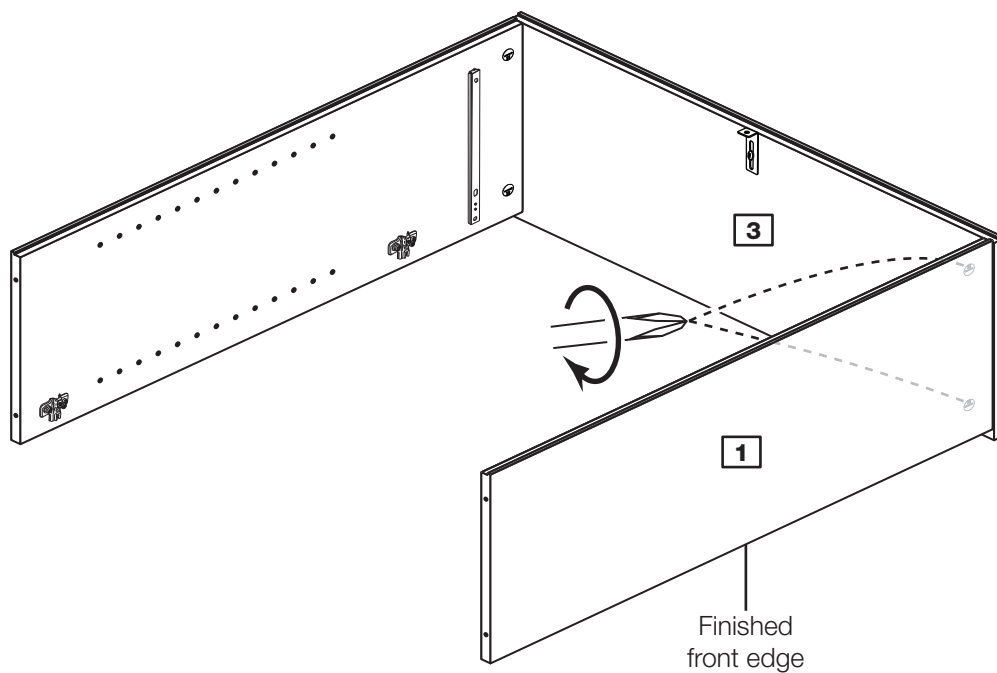
Step 8

Fit the left side

Push the left side **1** onto the top **3**.

Use a screwdriver to tighten the 2 large locking nuts **B** fitted to the left side **1**.

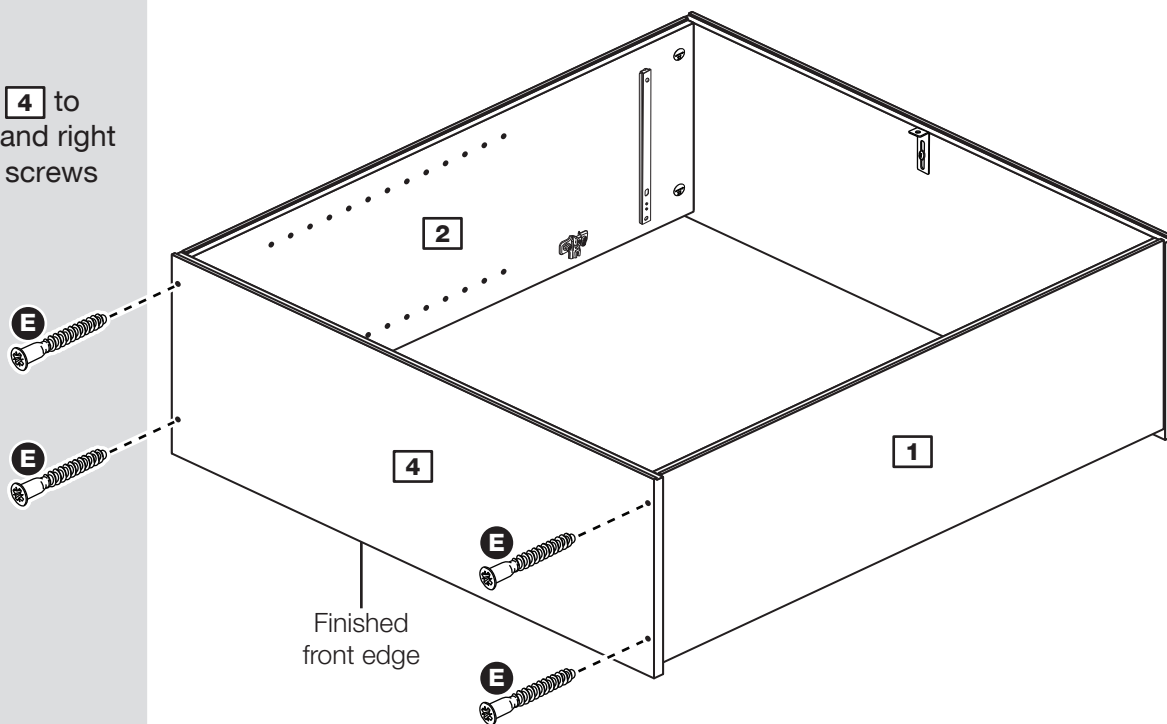
Note: Turn the large locking nuts **B** as far as they will go - more than 1/2 a turn.



Step 9

Fit the base

Attach the base **4** to the left side **1** and right side **2** using 4 screws **E**.



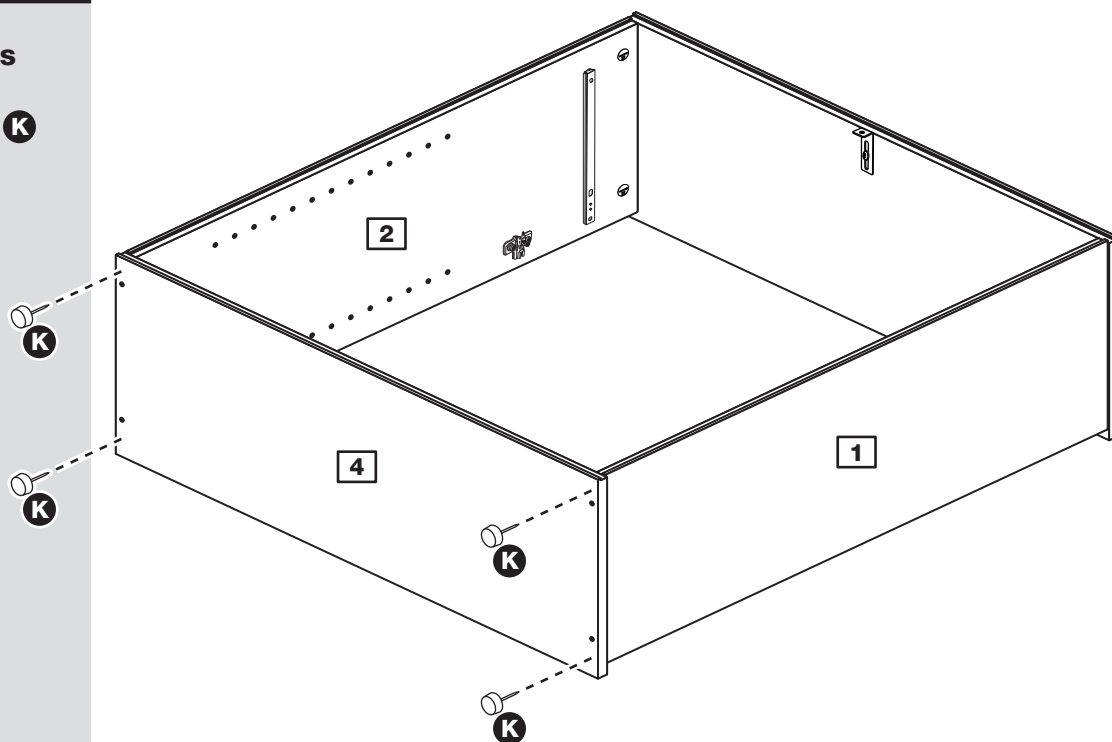
Assembly Instructions

Step 10

Fit the plastic nails

Tap the plastic nails **K** into the base **4** as shown.

The plastic nails **K** must go up into the bottom edge of the left side **1** and right side **2**.



Step 11

Fit the back

a: Square up the unit by making sure that measurement **x to x** equals **y to y**.

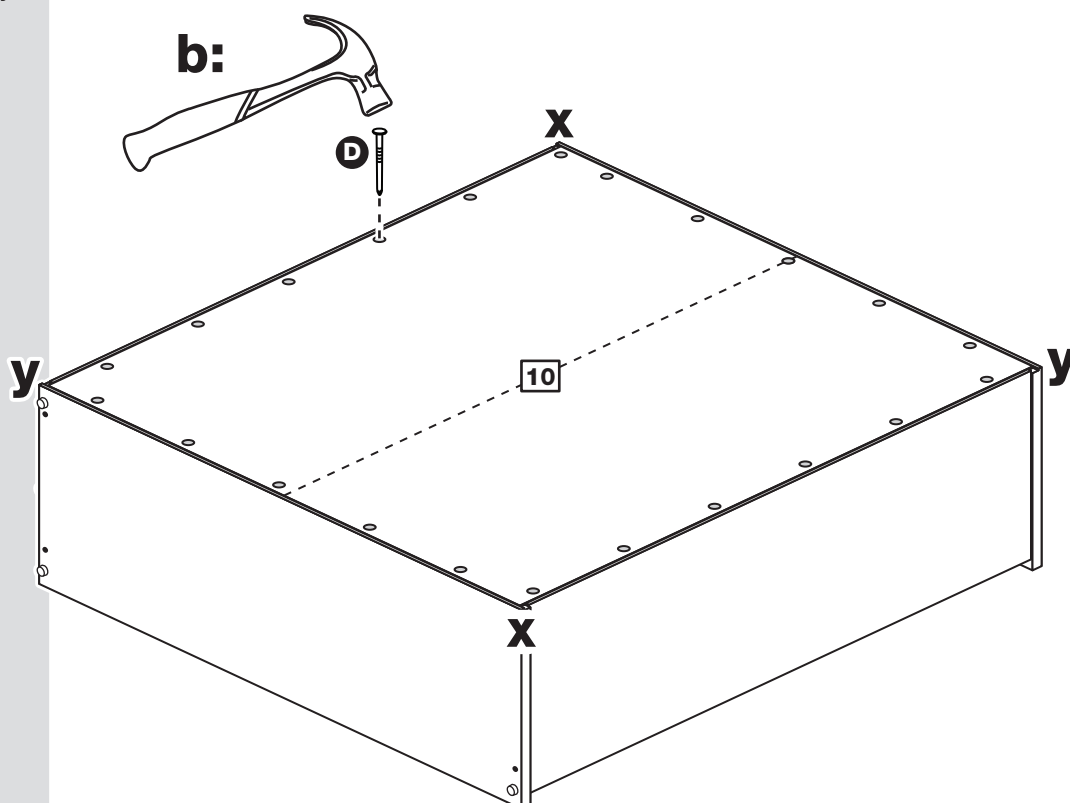
b: Place the back **10** onto the unit.

Nail **D** around the outside edges of the back **10**.

Note: Nails should be spaced about 150mm apart.

Stand the unit up for the next step.

a: The measurement from top corner X to bottom corner X must be equal to the measurement from top corner Y to bottom corner Y



Assembly Instructions

Step 12

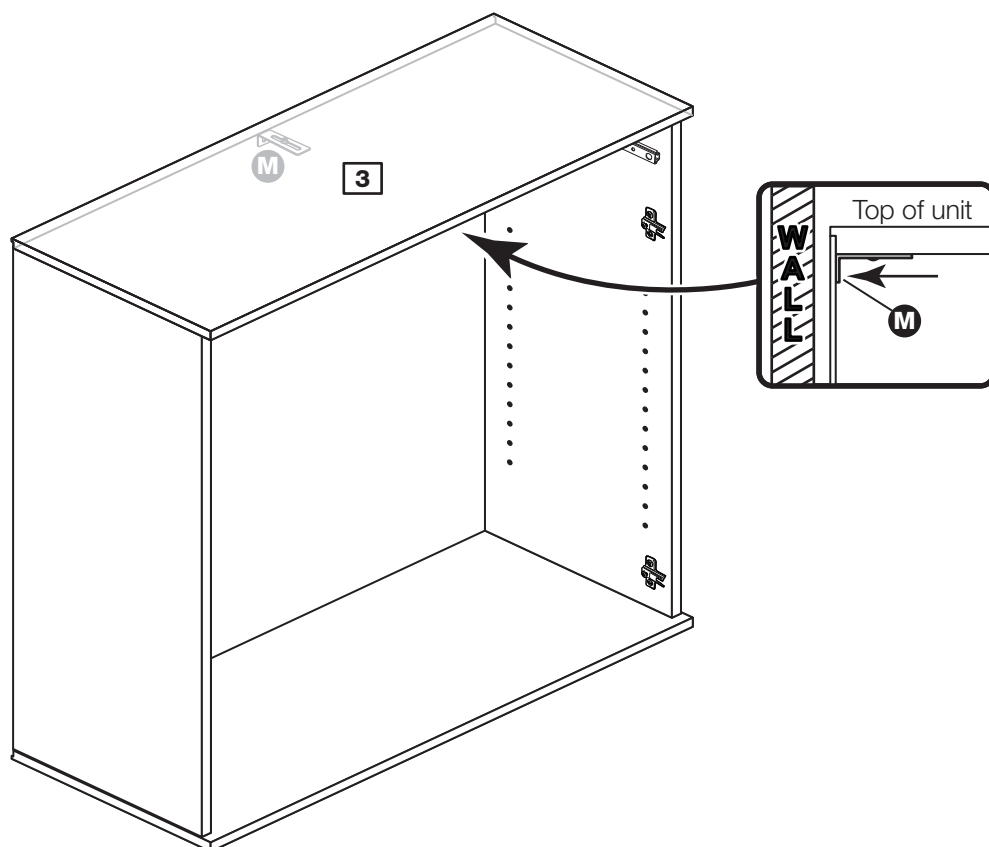
Secure unit to a wall

To prevent possible overbalancing we recommend that this unit is secured to a suitable wall by use of the metal bracket **M** fitted under the top **3** of the unit.

Fixings are not supplied as they will need to suit the wall type, and the length of screw will depend on the distance of the back of the unit to the wall.



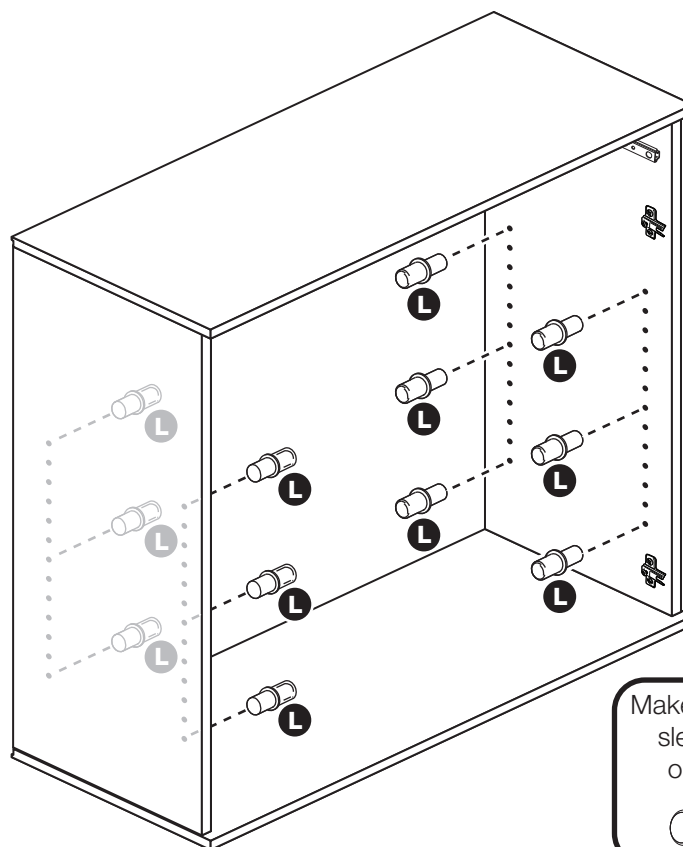
Warning: Take care when drilling the wall that you do not drill into any pipes, wires etc. If in doubt, consult an expert.



Step 13

Fit the shelf studs

For each of the 3 shelves **5**, insert 4 shelf studs **L** at the required height.

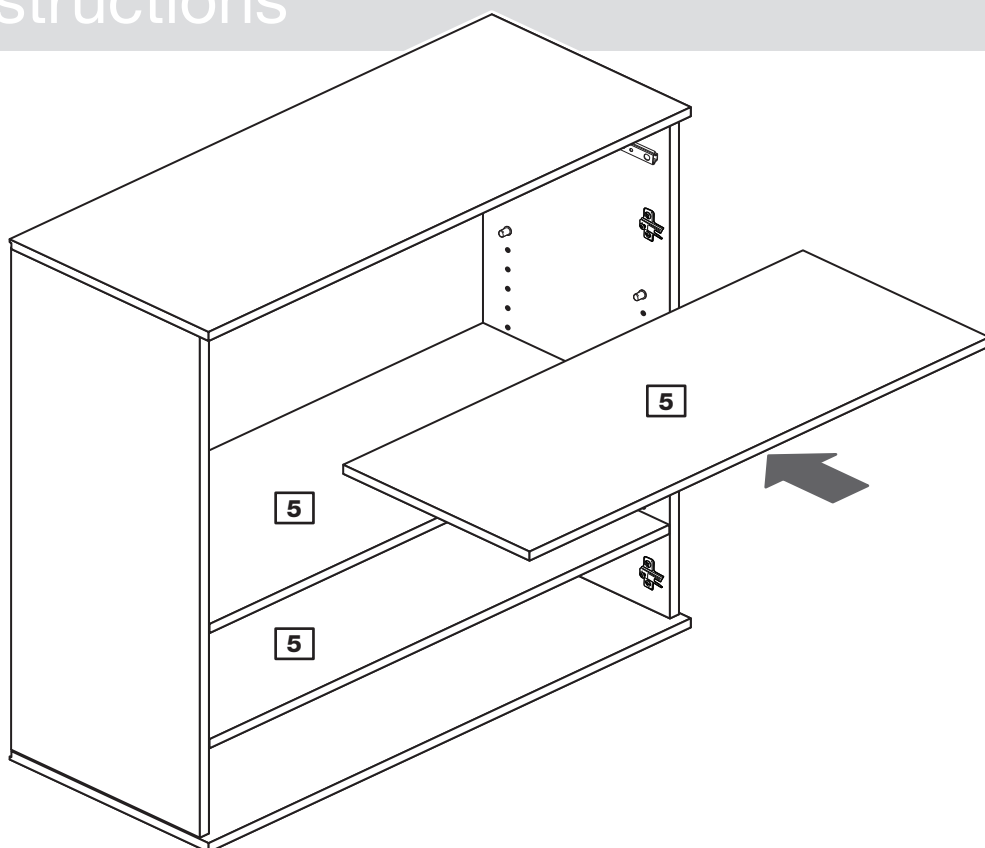


Assembly Instructions

Step 14

Fit the shelves

Lower the 3 shelves **5** down onto the shelf studs **L**.



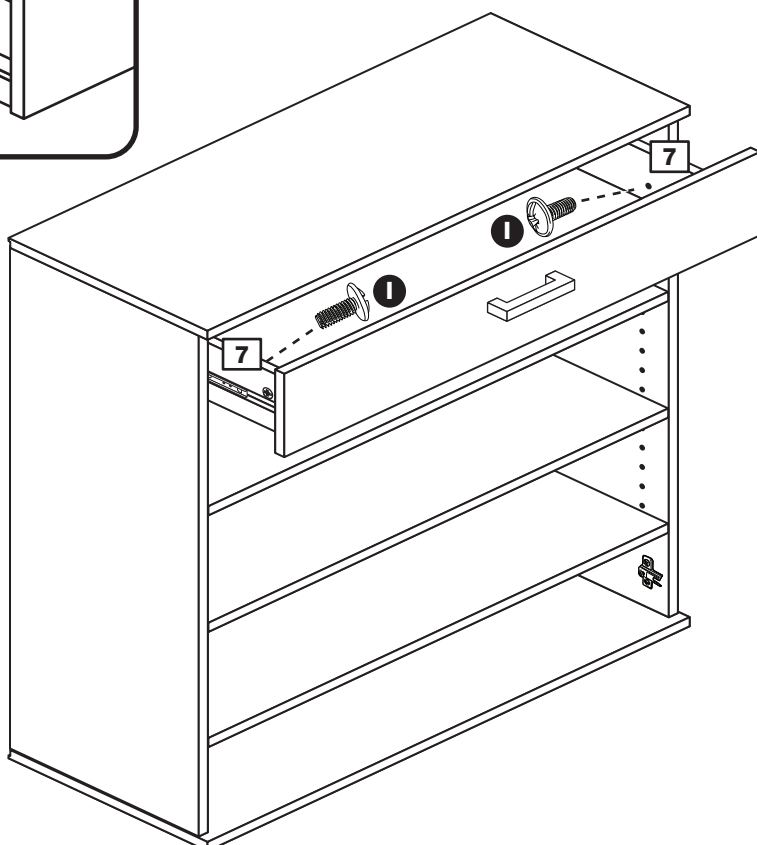
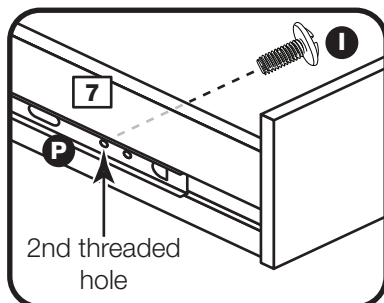
Step 15

Fit the drawers

Slide both the runners **P** forward and locate the sides of the drawer wrap **7** between them, lining up the holes in the drawer wrap with the 2nd 'threaded' holes in the runners **P**.

Working from the inside of the drawer, insert 2 screws **I** through the drawer sides and out into the 2nd threaded hole in the runner **P**.

Note: Do not overtighten the screws **I**. If they catch on the runner **P** you may need to loosen them slightly.



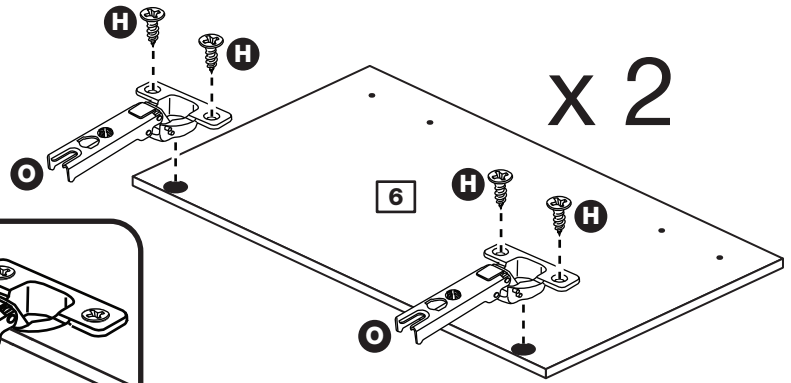
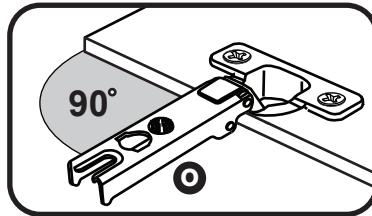
Assembly Instructions

Step 16

Prepare the doors

Push fit 2 hinges **O** into each door **6**.

Secure each hinge with 2 screws **H**.



Note: Before securing with the screws, make sure that the hinges are positioned at 90 degrees with the edge of the door.

Step 17

Drill 2 handle holes in each door

Important: Please follow these instructions carefully.

Lay the 2 doors **6** down onto a smooth surface.

Check that the hinges and holes are in the same place as the diagrams.

Note: We recommend the use of a small piece of waste wood, placed behind the holes while drilling, to reduce the possibility of any breakout.

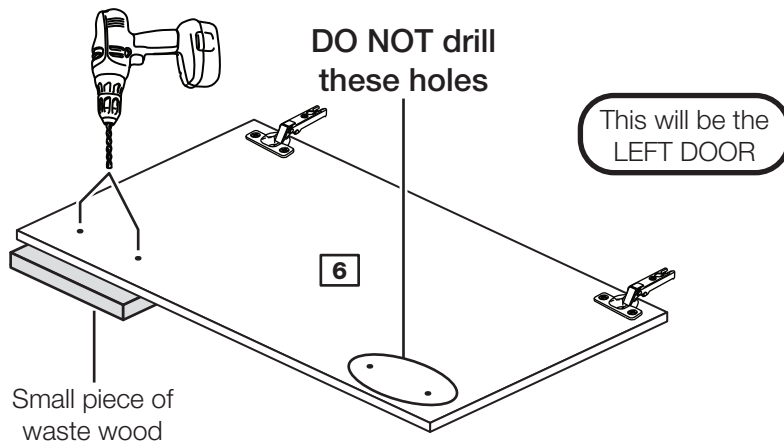
Using the pilot holes in the rear face of the door **6**, drill through the holes indicated opposite, using a 2.5mm diameter drill.

Turn the door **6** over and open out the 2.5mm holes that you have just drilled by drilling back through it with a 5mm drill.

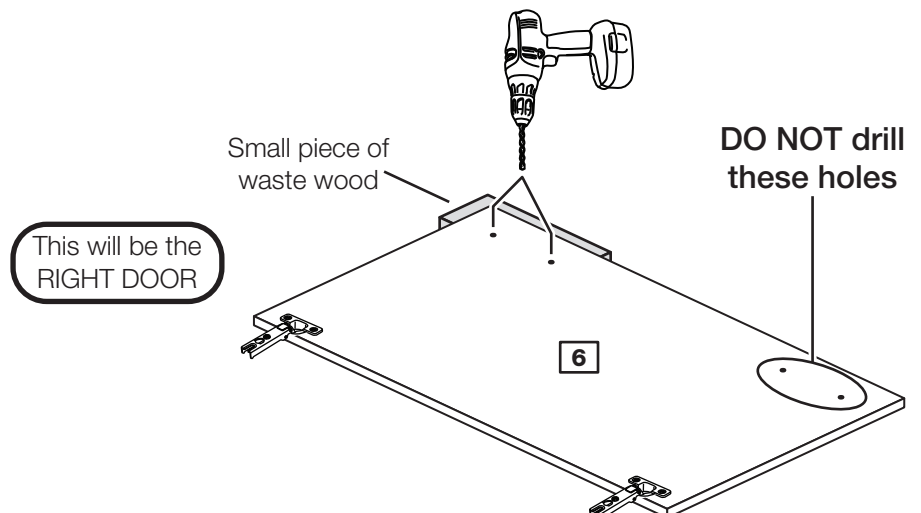
Important:

Check that the hinges and holes are in the same place as these diagrams.

ONLY drill these 2 holes in 1 of the doors



ONLY drill these 2 holes in 1 of the doors



Assembly Instructions

Step 18

Fit doors and handles

Note: The easiest way to attach each door **6** is to fit the top hinge first, then align and fit the other hinges.

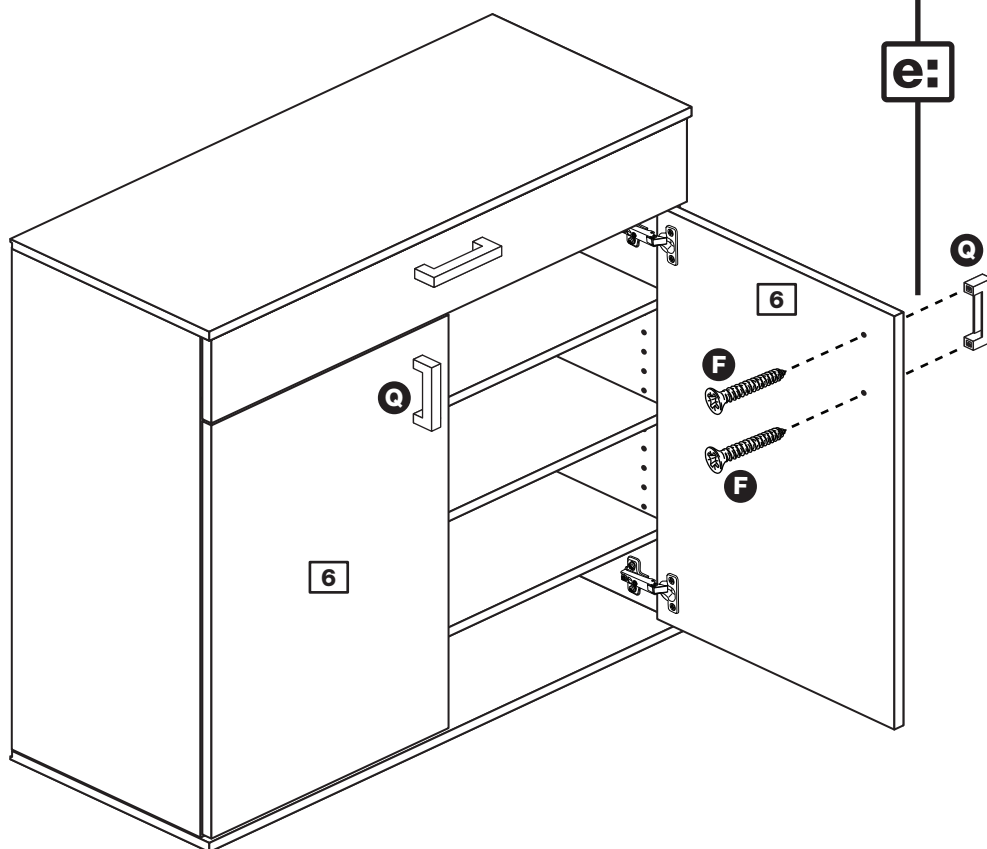
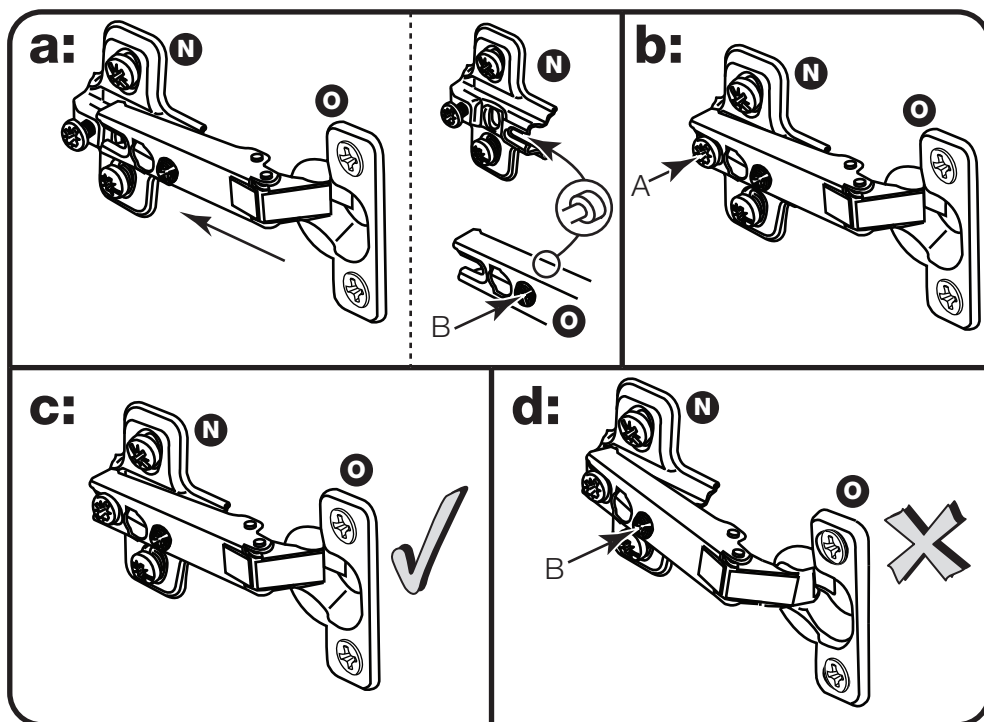
a: Push the hinge **O** onto the front part of the hinge plate **N**. The recess at the bottom of screw B goes into the slot in the hinge plate.

b: Keep the hinge **O** FLAT against the hinge plate **N** as you slide it across as far as it will go. Tighten screw A.

c: The hinge **O** must be flat against the hinge plate **N** prior to any adjustment.

d: The hinge **O** must NOT be AT AN ANGLE to the hinge plate **N** when assembled. This would indicate that the recess at the bottom of screw B had not located in the slot in the hinge plate and the hinge would not be secure. Remove the hinge from the hinge plate and then re-assemble being careful to follow instructions a-c.

e: Attach a handle **Q** to each door **6** using 2 screws **F**.



Assembly Instructions

Step 19

Adjust the doors if needed

a: Before adjusting the doors, use a spirit level to check the base (or top) of the unit is level, front-to-back and side-to-side in the 3 positions shown. Use suitable packing pieces (not supplied) to make the unit level BEFORE making any adjustment to the hinges, as shown.

b: Height adjustment.

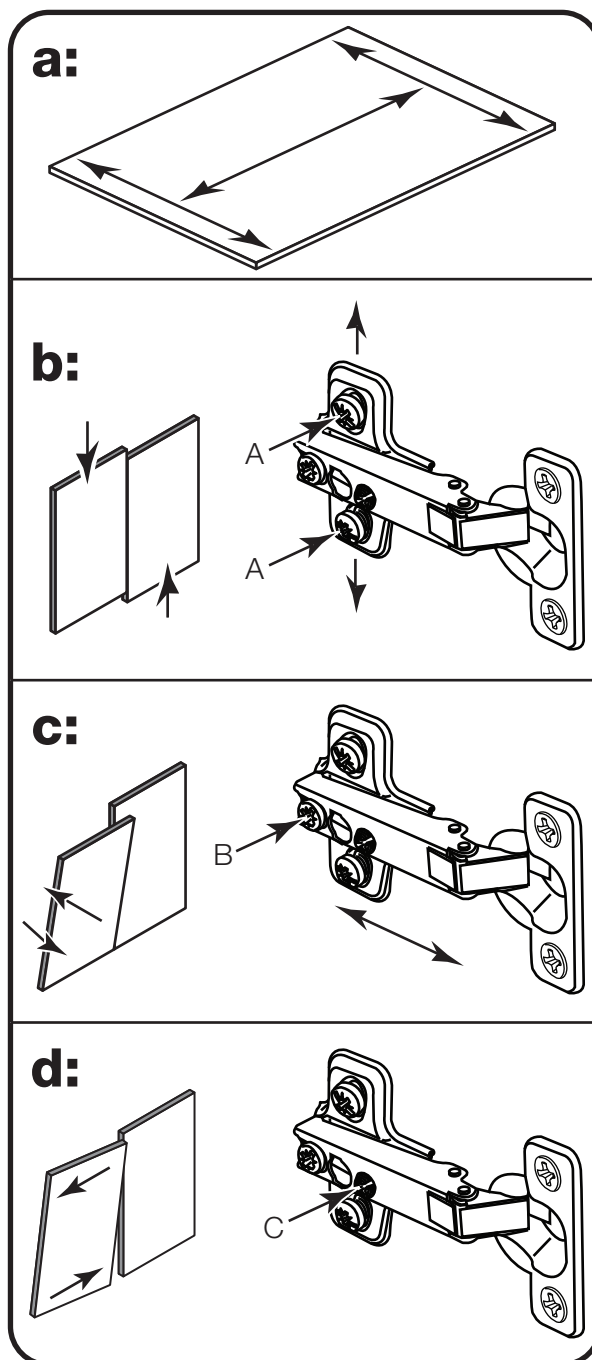
Loosen screws A on hinge plates and move door up or down as required. Retighten screw A.

c: Forward and Back adjustment.

Loosen screw B on hinge plate and move door in or out as required. Retighten screw B.

d: Sideways adjustment.

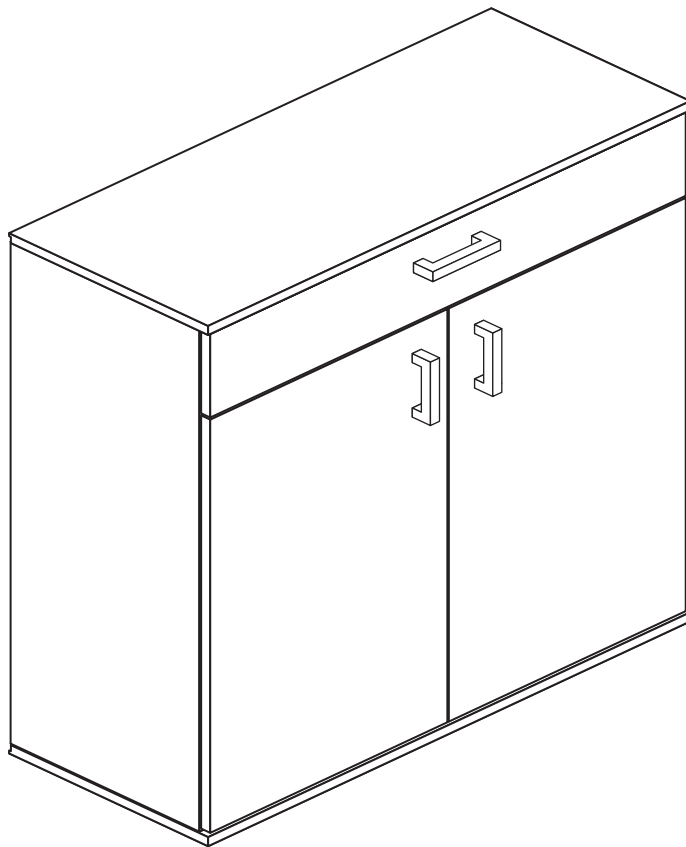
To move door 'out' loosen screw C. To move door 'in' tighten screw C.



Assembly Instructions

Step 20

Assembly is complete



If you need help or have damaged or missing parts, call the **Customer Helpline: 08456 400800** and quote the reference numbers on the component pages.

Argos Ltd, 489-499 Avebury Boulevard, Central Milton Keynes, MK9 2NW