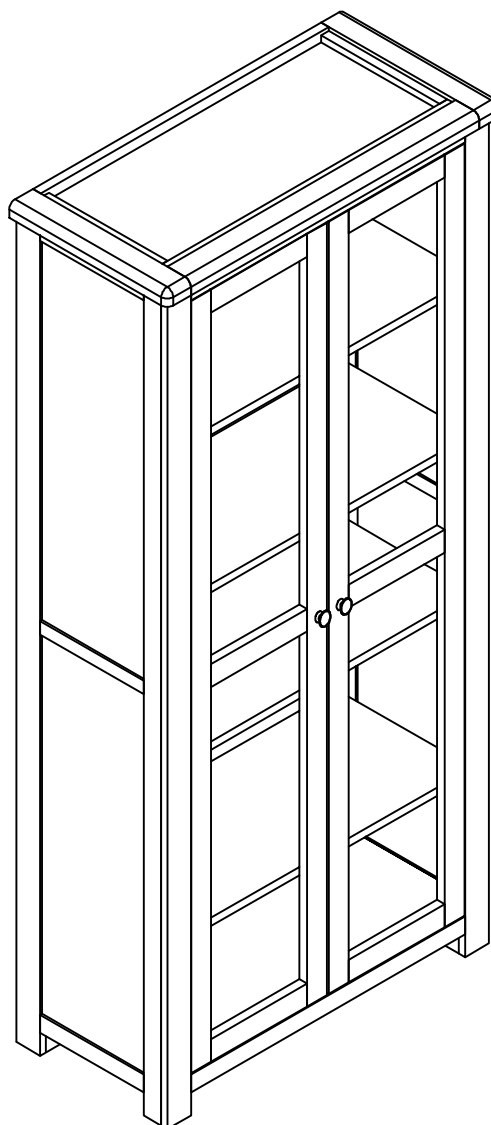


kent glass display cabinet

Assembly Instructions - Please keep for future reference

541/7791



Dimensions

Width - 85 cm
Depth - 40 cm
Height - 185 cm

Important - Please read these instructions fully before starting assembly

If you need help or have damaged or missing parts, call the **Customer Helpline:**
Argos = 0345 6400800



Safety and Care Advice

Important - Please read these instructions fully before starting assembly

- Check you have all the components and tools listed on the following pages.

- Remove all fittings from the plastic bags and separate them into their groups.

- Keep children and animals away from the work area, small parts could choke if swallowed.

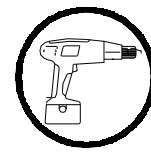
- Make sure you have enough space to layout the parts before starting.

- During assembly do not stand or put weight on the product, this could cause damage.

- Assemble the item as close to its final position (in the same room) as possible.

- Assemble on a soft level surface to avoid damaging the unit or your floor.

- Parts of the assembly will be easier with 2 people.



power drill is set on a low torque setting.

- To reduce the likelihood of damaging your product please ensure that your

Care and maintenance

- Only clean using a damp cloth and mild detergent, do not use bleach or abrasive cleaners.

- From time to time check that there are no loose screws on this unit.

- This product should not be discarded with household waste. Take to your local authority waste disposal centre.

Handy Hints

- Assemble all parts and bolts loosely during assembly, only once the product is complete should you fully tighten the bolts.

- Regularly check and ensure that all bolts and fittings are tightened properly.

Glass safety

- Keep these instructions for future reference.
- If the glass is chipped or broken : stop using the product and consult the Manufacturer or Supplier.
- imported by :
 - Argos Ltd
 - 489 - 499 Avebury Boulevard
 - Saxon Gate West
 - Central Milton Keynes
 - MK9 2NW
- Batch No : 523913
- Date of Manufacture: Apr.2016
- Type of glass used : 5mm glass

Warning :

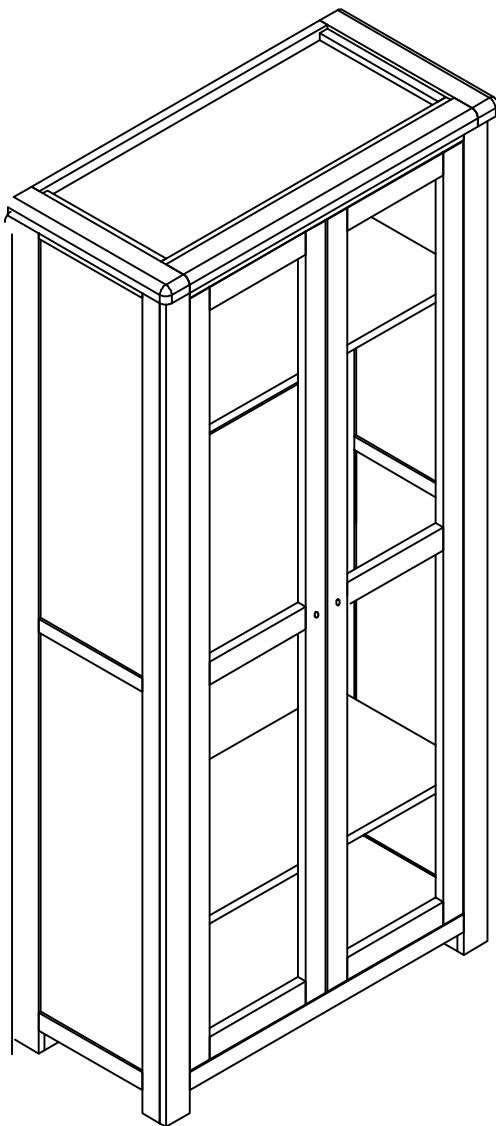
- (a) Do not place very hot or very cold items on the glass surface(s) unless adequately thick table mats are used to prevent such items from coming into contact with the glass.
- (b) Do not sit or upon the glass surfaces(s).
- (c) Do not use the glass as a chopping surface. Do not strike the glass with hard or pointed items
- (d) When cleaning glass panels use a damp cloth or leather with washing up liquid or soft if necessary, do not use washing powders or any other substance containing abrasives since these substances scratch glass

Note: if required the next page can be cut out and used as reference throughout the assembly. Keep this page with these instructions for future reference.

Components - Panels

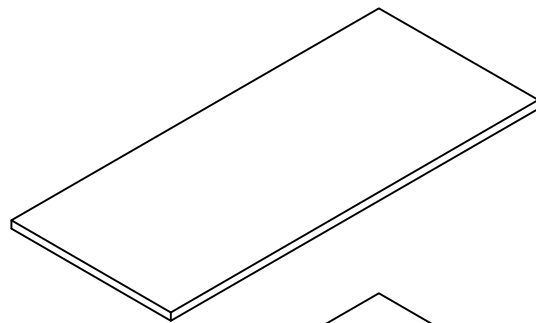
If you have damaged or missing components, call the
Customer Helpline: Argos = 0345 6400800

Please check you have all the panels listed below

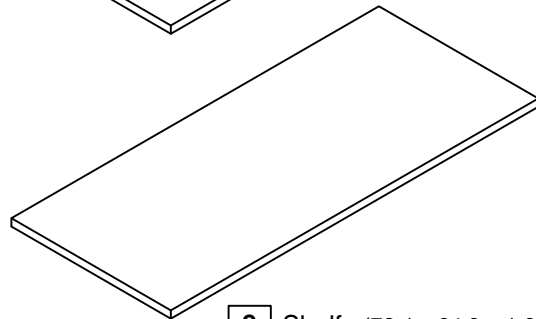


1 Glass Display Cabinet (85 x 40 x 185 cm)

2 Shelves (78,1 x 34,3 x 1.8 cm)



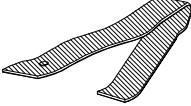


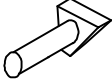

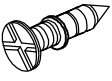
2 Shelves (78,1 x 34,3 x 1.8 cm)



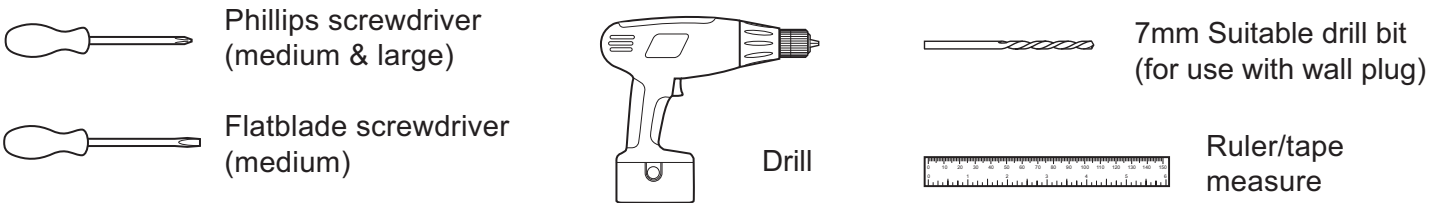
Components - Fittings

Please check you have all the fittings listed below

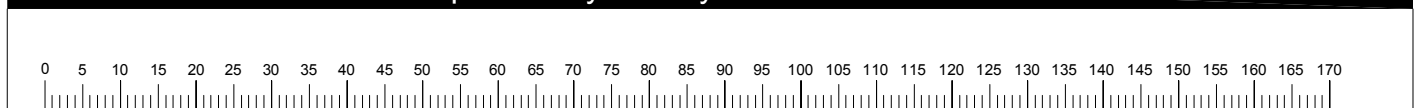
Note: The quantities below are the correct amount to complete the assembly. In some cases more fittings may be supplied than are required.

<p>A</p>  <p>Wall strap 250 mm x 2</p>	<p>B</p>  <p>Ø12x1mm Washer x 2</p>	<p>C</p>  <p>Ø3.5x15 mm Screw x 2</p>
<p>D</p>  <p>Shelf Pin x 8</p>	<p>E</p>  <p>Handle x 2</p>	<p>F</p>  <p>Screw & Washer x 2</p>

Tools required



Ruler - Use this ruler to help correctly identify the screws

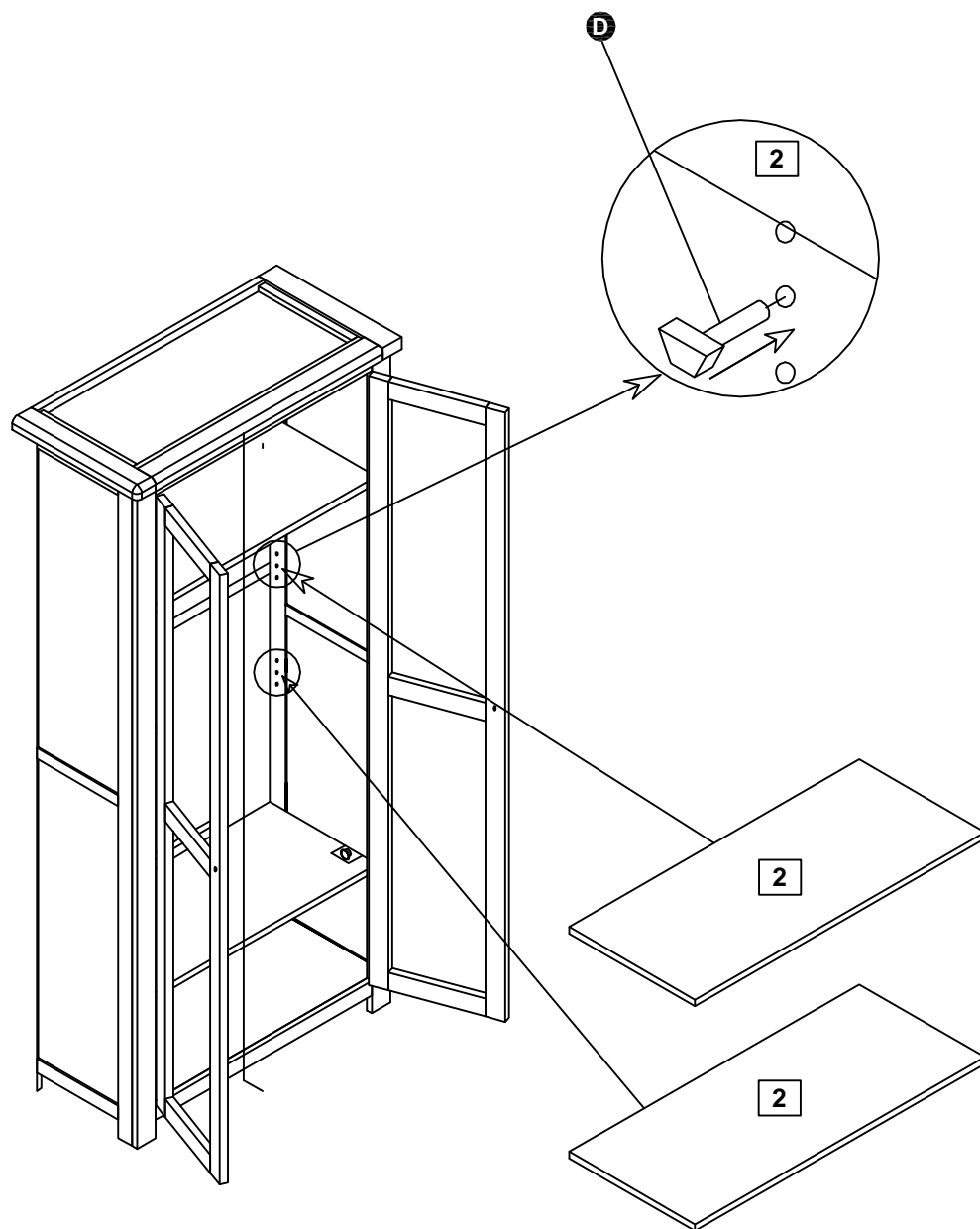


The screws length is measured from the head to the point (15 mm screw shown).

Assembly Instructions

Step 1

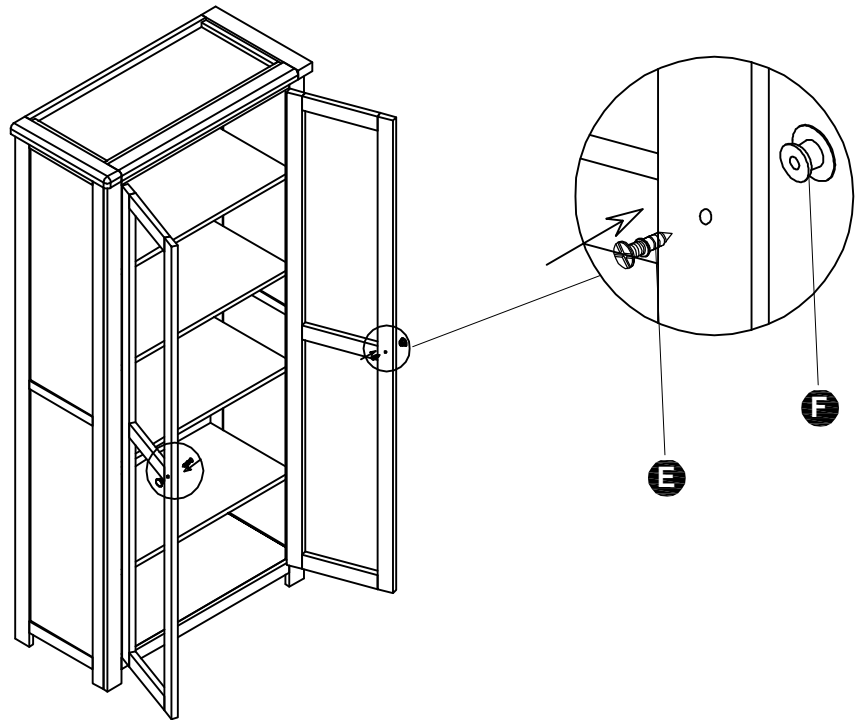
Open the door, insert Shelf pin **D** into the glass display cabinet (1) as shown below and insert shelf (2) into glass display cabinet.



Assembly Instructions

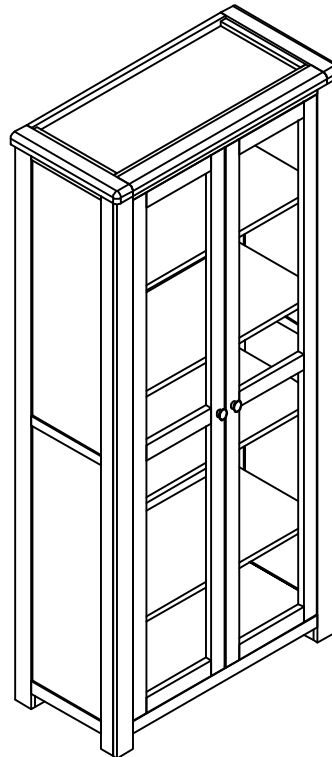
Step 2

Attach handle **E** to the door using screw and washer **F**



Step 3

Assembly is complete.



If you need help or have damaged or missing parts, call the **Customer Helpline:**
Argos = 0345 6400800

Assembly Instructions

Step 4

Fixing strap to wall.

It is recommended that the unit is fixed to a wall.

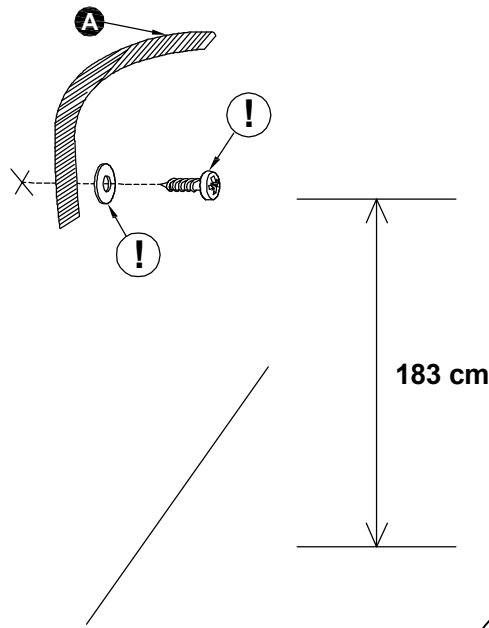
Mark fixing hole on wall.

Fasten wall strap **A** to the wall using a suitable wall screw/plug system.



Warning: Before drilling, check wall for hidden pipes and cables.

Note: The correct type of wall screws must be used for your wall. Please seek professional advice if in doubt.



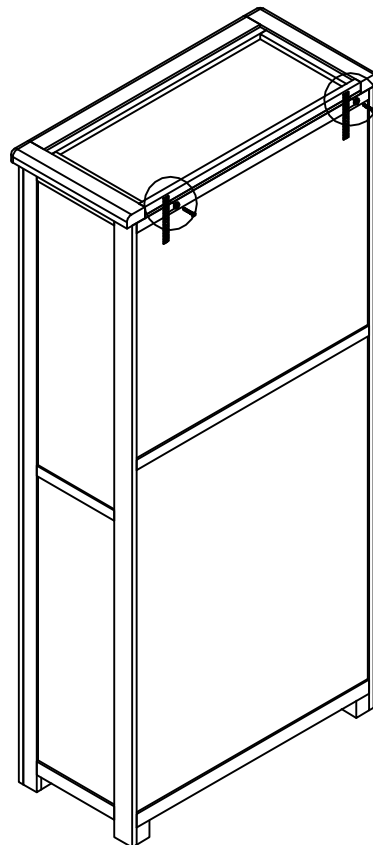
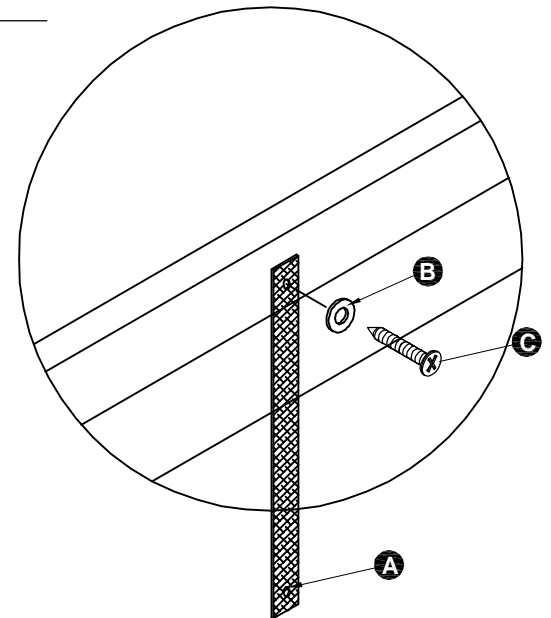
Step 5

Fixing unit to wall.

With the help of another person move the unit into position.

Place the wall strap on the top of the unit.

Fasten the wall strap to the unit with screw **C** and washer **B**.



Assembly is complete.

If you need help or have damaged or missing parts, call the **Customer Helpline:**
Argos = 0345 6400800

A Guide to - Wall Mounting & Fixings

Important note:

If plastic wall plugs are supplied with your product:



- these are only suitable for use in masonry walls.

If you are in any doubt about the correct wall plugs for your wall, seek professional advice.

Failure of the product due to using incorrect fixings is the responsibility of the installer.



Important: When drilling into walls always check that there are no hidden wires or pipes etc.

Make sure that the screws and wall plugs being used are suitable for supporting your unit. Consult a qualified tradesperson if you are unsure.

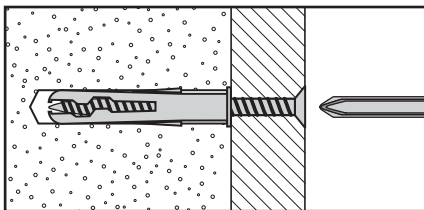
Hints:

- 1: General rule:** ⚠ Always use a larger screw and wall plug if you are not sure.
- 2: Ensure you use the recommended drill bit to match the wall plug and hole size.
- 3: Ensure you drill the hole horizontally, do not force the drill or enlarge the hole.
- 4: Take extra care when drilling high walls, ceilings and ceramic tiles. Ensure wall plugs are inserted beyond the thickness of the ceramic tiles to avoid the tiles splitting or cracking.
- 5: Ensure wall plugs are well fitted and are a tight fit in the drilled hole.

Types of walls

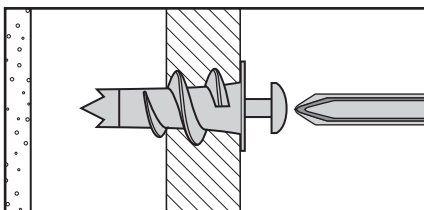
You can use one of the following types of wall plug if your walls are made of brick, breeze block, concrete, stone or wood.

No.1 "General Purpose" wall plug



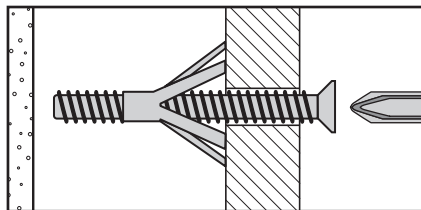
Generally aerated blocks should not be used to support heavy loads, use a specialist fitting in this case. For light loads, general purpose wall plugs can be used.

No.2 "Plasterboard" wall plug



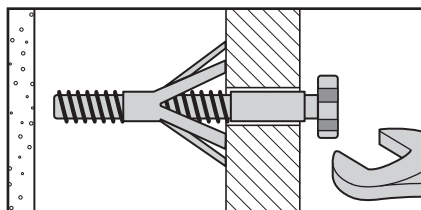
For use when attaching light loads on to plasterboard partitions.

No.3 "Cavity Fixing" wall plug



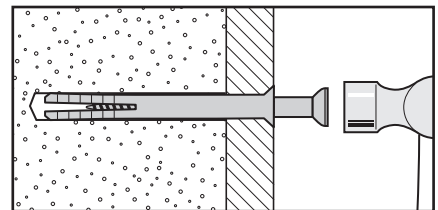
For use with plasterboard partitions or hollow wooden doors.

No.4 "Cavity Fixing-Heavy Duty" wall plug



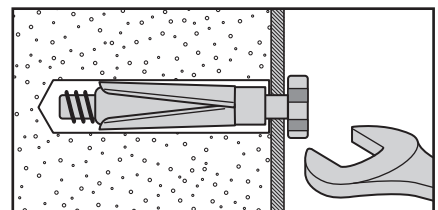
For use when fitting or supporting heavy loads such as shelving, wall cabinets and coat racks.

No.5 "Hammer Fixing" wall plug



For use with walls stuck with plasterboard. The hammer fixing allows it to be fixed to the wall rather than the plasterboard. Always check the fixing is secure to the retaining wall.

No.6 "Shield Anchor" wall plug Heavy loads



For use with heavier loads such as TV & HiFi speakers and satellite dishes etc.



Care & Maintenance

Safety: Always check the fitting and location to ensure your safety in and around the home.

Fitting: From time to time check the fitting to ensure the wall plugs or screws do not become loose.