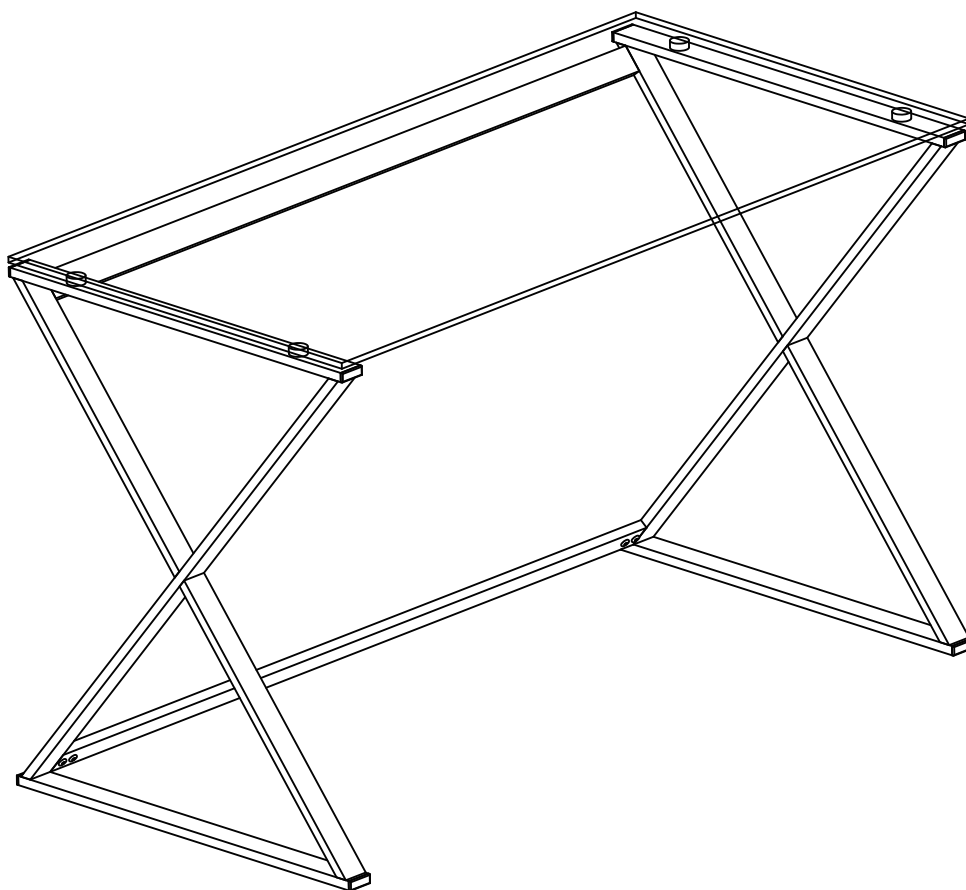


# Cortez Desk

Assembly Instructions - please keep for future reference

541/0530

**hygena**



## Dimensions

Width - 120cm

Depth - 60cm

Height - 75cm

**Important – Please read these instructions fully before starting assembly**

If you need help or have damaged or missing parts, call the Customer Helpline: 03456 400800



# Safety and Care Advice

**Important – Please read these instructions fully before starting assembly**

- Check you have all the components and tools listed on the following pages.
- Remove all fittings from the plastic bags and separate them into their groups.
- Keep children and animals away from the work area, small parts could choke if swallowed.
- Make sure you have enough space to layout the parts before starting.

- During assembly do not stand or put weight on the product, this could cause damage.
- Assemble the item as close to its final position (in the same room) as possible.
- Assemble on a soft level surface to avoid damaging the unit or your floor.
- Parts of the assembly will be easier with 2 people.



- To reduce the likelihood of damaging your product please ensure that your power drill is set on a low torque setting.

## Care and maintenance

- Only clean using a damp cloth and mild detergent, do not use bleach or abrasive cleaners.
- From time to time check that there are no loose screws on this unit.
- This product should not be discarded with household waste. Take to your local authority waste disposal centre.

## Handy Hints

- Assemble all parts and bolts loosely during assembly. Only once the product is complete should you fully tighten the bolts.
- Regularly check and ensure that all bolts and fittings are tightened properly.

## Glass Safety

### Glass Safety

- Keep these instructions for future reference
- imported by:  
Argos Ltd  
489-499 Avebury Boulevard.  
Saxon Gate West.  
Central Milton Keynes  
MK9 2t4W

- If the glass is chipped or broken: stop using the product and consult the Manufacturer or Supplier
- Batch No:368403
- Date of Manufacture: Apr. 2016
- Type of glass used: 8mm toughened glass

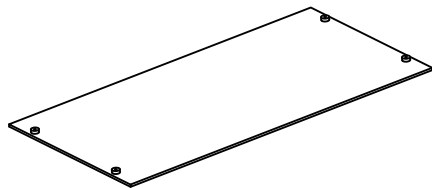
### Warning:

- (a) Do not place very hot or very cold items on the glass surface(s) unless adequately thick table mats are used to prevent such items from coming into contact with the glass.
- (b) Do not sit or stand upon the glass surface(s).
- (c) Do not use the glass as a chopping surface. Do not strike the glass with hard or pointed items.
- (d) When cleaning glass panels use a damp cloth or leather with washing up liquid or soft soap if necessary, do not use washing powders or any other substance containing abrasives since these substances scratch glass.

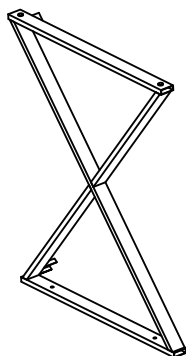
# Components - Panels

If you have damaged or missing components, call the Customer Helpline: 03456 400800

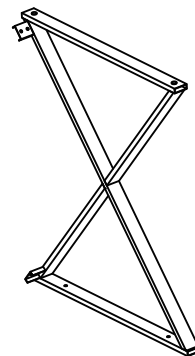
Please check you have all the panels listed below



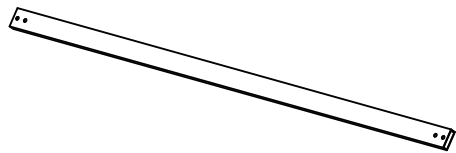
1 Glass Desktop x 1  
(120(h)cm x 60(d)cm)



2 Right side frame x 1  
(72.5(h)cm x 59.5(d)cm)



3 Left side frame x 1  
(72.5(h)cm x 59.5(d)cm)



4 Supportbar x 2  
(1.3/3.8(w)cm x 111.6(h)cm)

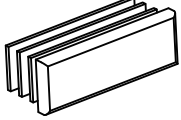
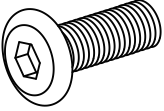
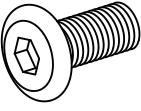
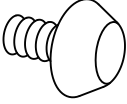
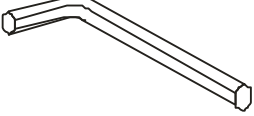


# Components - Fittings

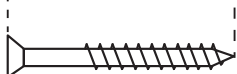
If you have damaged or missing components, call the Customer Helpline: 03456 400800

Please check you have all the fittings listed below

Note: The quantities below are the correct amount to complete the assembly. In some cases more fittings may be supplied than are required.

<p><b>A</b></p>  <p>Plastic plugs x 8</p>	<p><b>B</b></p>  <p>23mm Bolt x 4</p>	<p><b>C</b></p>  <p>13mm Bolt x 8</p>	<p><b>D</b></p>  <p>Adjustable feet x 4</p>
<p><b>E</b></p>  <p>Allen Key x 1</p>			

Ruler – Use this ruler to help correctly identify the screws

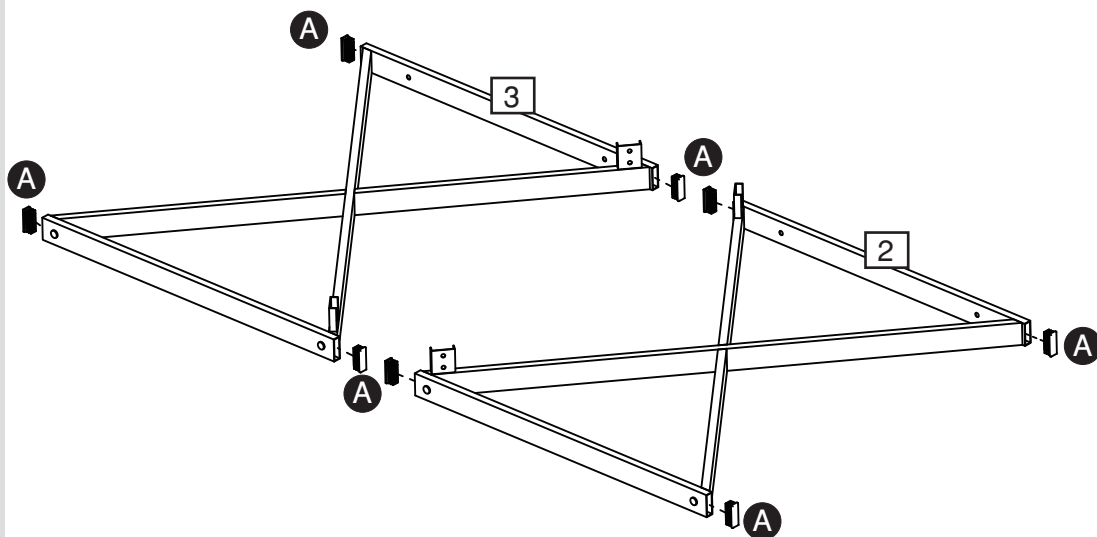



The screws length is measured from the head to the point(30mm screw shown).

# Assembly Instructions

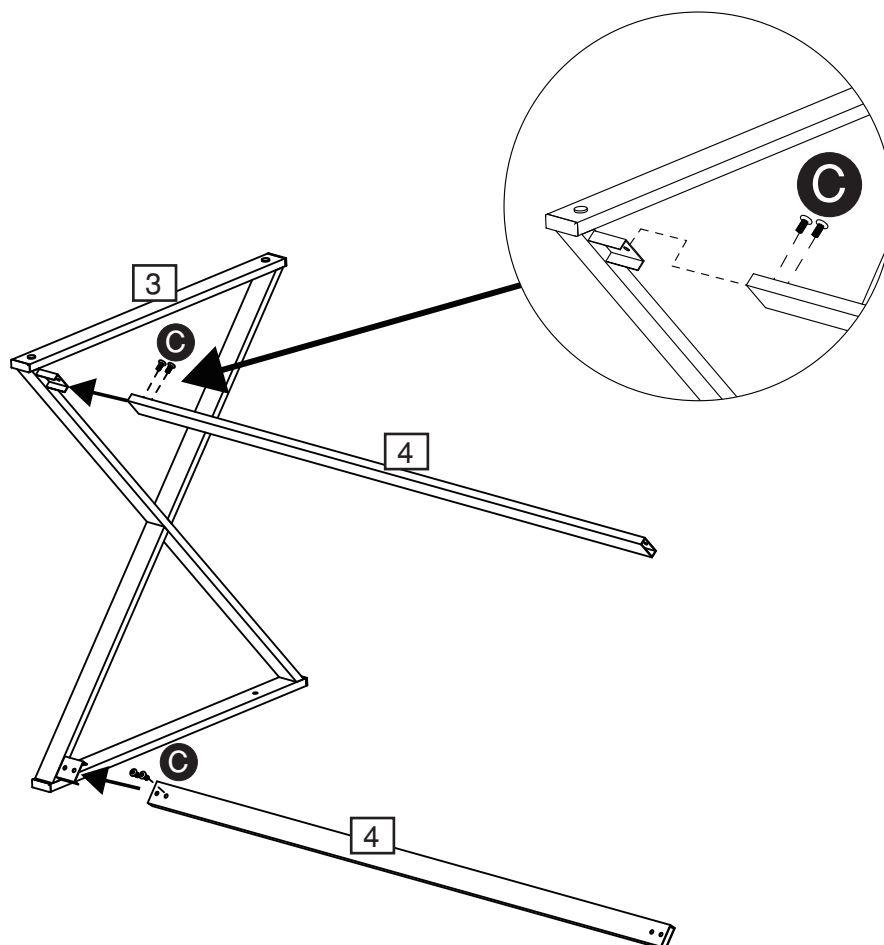
## Step 1

Fitting Plastic Plug  
Insert plastic plug **A**  
into right side frame **2**  
and left side frame **3**.



## Step 2

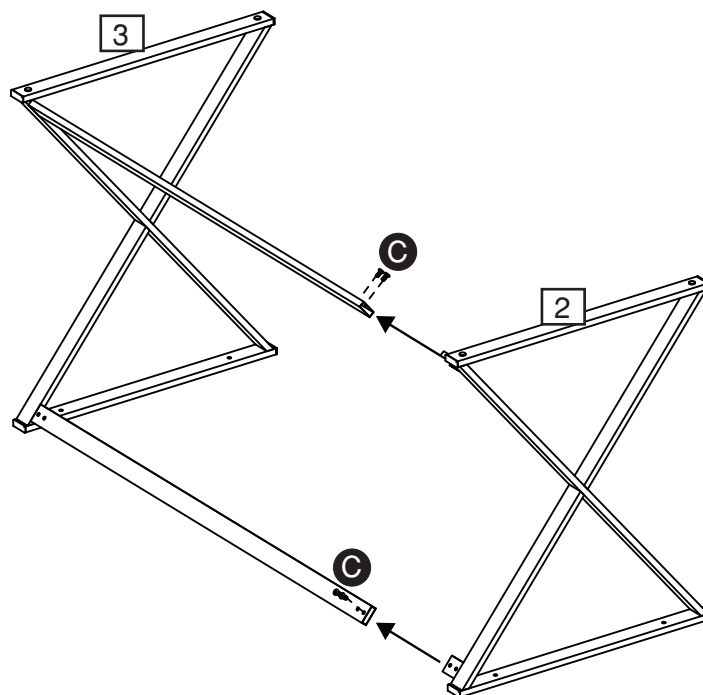
Fitting Support bar  
Attach left side frame **3**  
and support bar **4** using  
bolts **C**.  
Please do not fully tighten  
the bolts at this stage.



# Assembly Instructions

## Step 3

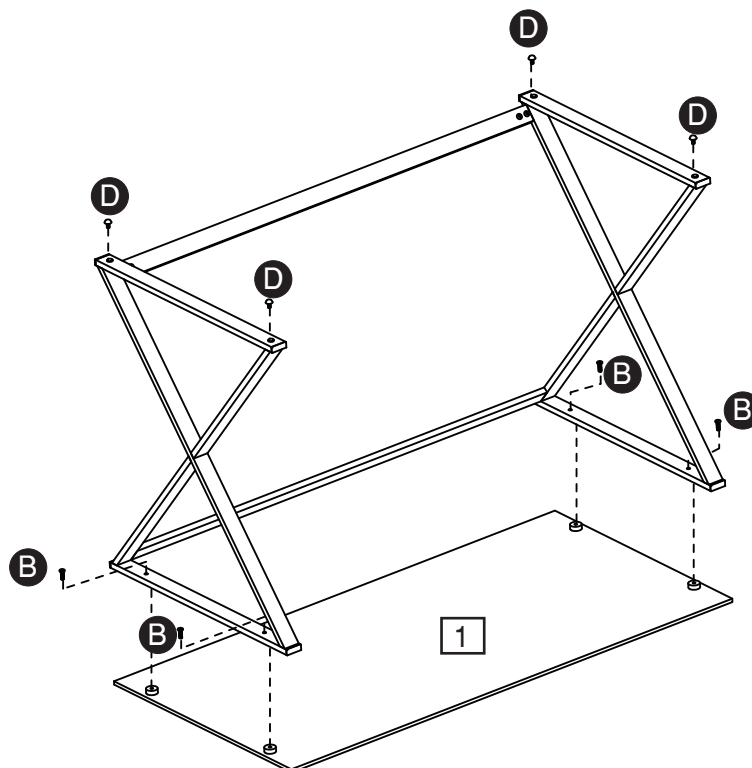
Fitting Right Side Frame  
Attach right side frame **2**  
and support bar **4** using  
bolts **C**.  
Please do not fully tighten  
the bolts at this stage.



## Step 4

Glass top should be placed  
upside down on a protective  
surface

Fitting Glass desktop  
Attach glass desktop **1**  
and side part frames **2** **3**  
using bolts **B**.  
Screw adjustment feet **D**  
into bottom of side part  
frames **2** **3**.  
Fully tighten all bolts  
assembled in previous  
steps.



**Assembly is complete.**

If you need help or have damaged or missing parts, call the **Customer Helpline: 03456 400800**