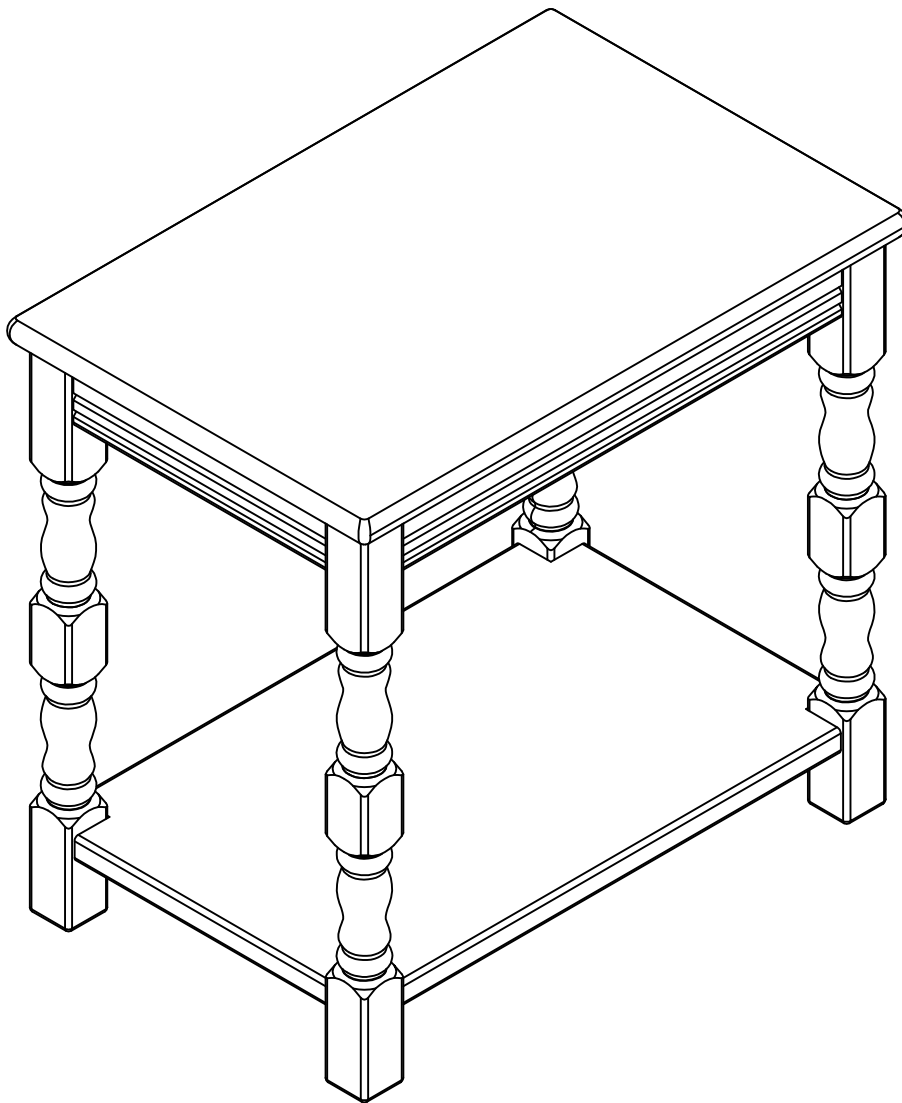


Devon End Table

Assembly Instructions - Please keep for future reference

532/7623



Dimensions

Width - 45.5cm
Depth - 30cm
Height - 42.7cm

Important - Please read these instructions fully before starting assembly

If you need help or have damaged or missing parts, call the **Customer Helpline: 03456 400800**.
For further assistance please visit <http://www.argos-support.co.uk/>.



Safety and Care Advice

Important - Please read these instructions fully before starting assembly

- Check you have all the components and tools listed on pages 2 and 3.
- Remove all fittings from the plastic bags and separate them into their groups.
- Keep children and animals away from the work area, small parts could choke if swallowed.
- Make sure you have enough space to layout the parts before starting.

- Do not stand or put weight on the product, this could cause damage.
- Assemble the item as close to its final position (in the same room) as possible.
- Assemble on a soft level surface to avoid damaging the unit or your floor.
- Parts of the assembly will be easier with 2 people.



- To reduce the likelihood of damaging your product please ensure that your power drill is set on a low torque setting.

Care and maintenance

- Only clean using a damp cloth and mild detergent, do not use bleach or abrasive cleaners.
- From time to time check that there are no loose screws on this unit.
- This product should not be discarded with household waste. Take to your local authority waste disposal centre.

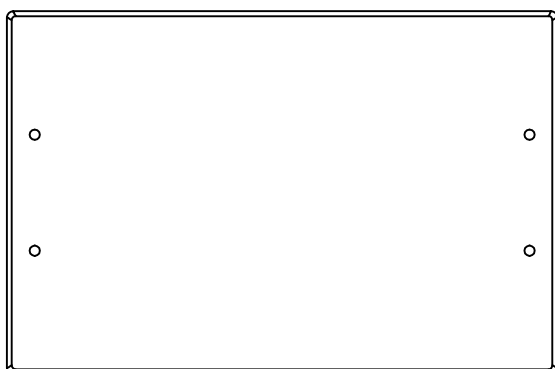
Handy Hints

- Assemble all parts and bolts loosely during assembly, only once the product is complete should you fully tighten the bolts
- Regularly check and ensure that all bolts and fittings are tightened properly.

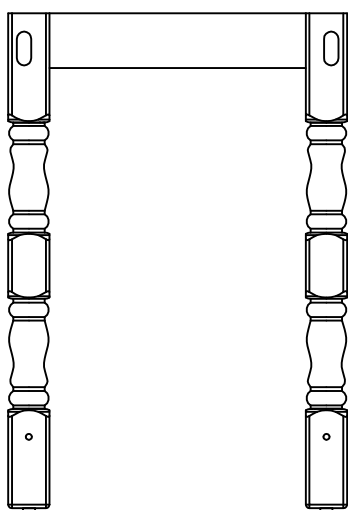
Components - Panels

If you have damaged or missing componets, call the **Customer Helpline:03456 400800**. For further assistance please visit <http://www.argos-support.co.uk/>

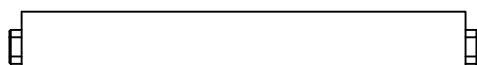
Please check you have all the panels listed below



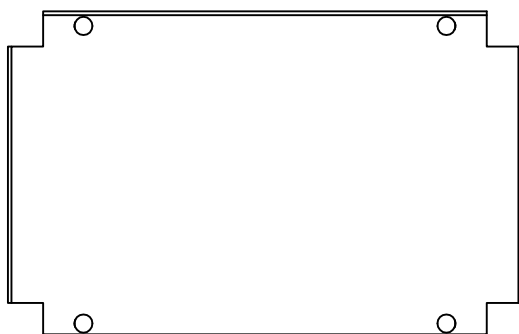
1 Top panel × 1 (45.5× 30cm)



2 Side frame× 2 (40.9 ×28cm)



3 Rail × 2 (38.7 ×4.5cm)

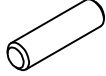
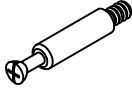
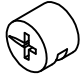
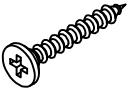


4 Bottom panel × 1 (42.5 × 27cm)

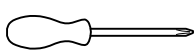
Components - Fittings

Please check you have all the fittings listed below

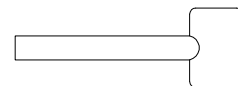
Note: The quantities below are the correct amount to complete the assembly. In some cases more fittings may be supplied than are required.

<p>A  Ø8 ×30mm Wooden dowel × 4</p>	<p>B  Locking pin × 4</p>	<p>C  Locking nut × 4</p>
<p>D  Ø3.5×45mm Screw × 12</p>		

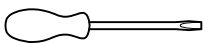
Tools required



Phillips screwdriver
(medium & large)



Rubber
mallet



Flatblade screwdriver
(medium)

Ruler - Use this ruler to help correctly identify the screws



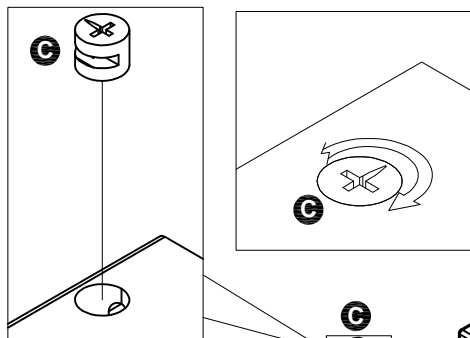
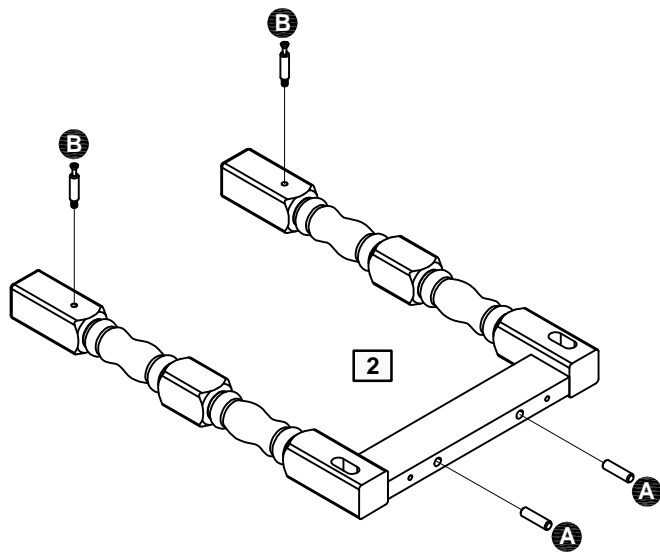
Assembly Instructions

Step 1

a. Insert 2 Locking pin **B** to Side frame **2**.

b. Insert 2 Wooden dowel **A** to Side frame **2**.

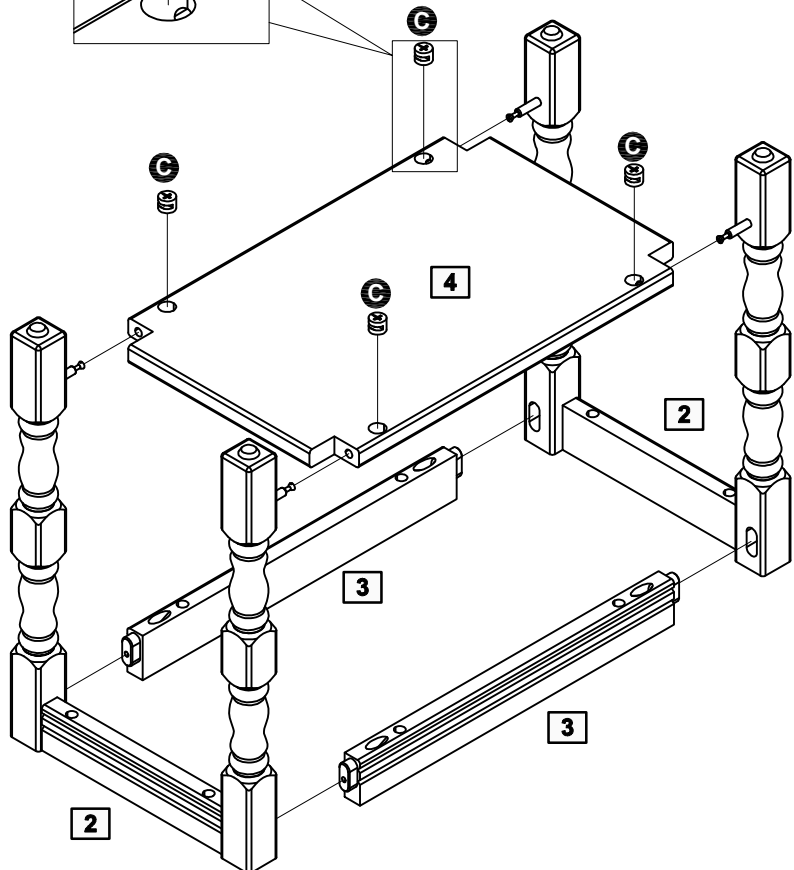
Repeat Step a & b for the other Side frame **2**.



Step 2

a. Attach Rails **3** and Bottom panel **4** to the Side frames **2**.

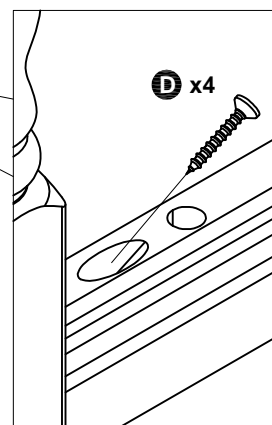
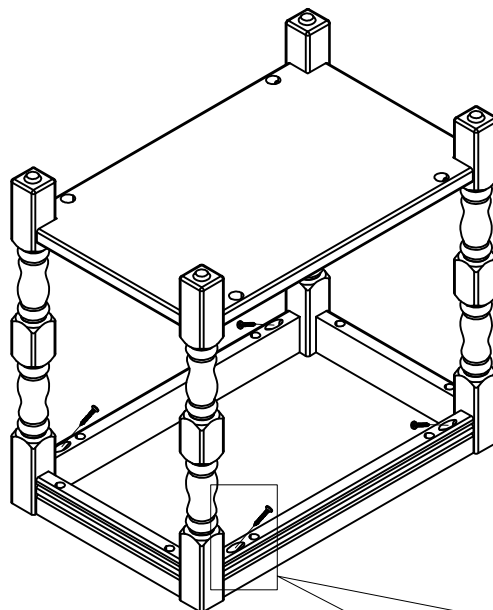
b. Insert Locking nut **G** to the Bottom panel and use screw driver turn Locking nut **G** clock wise to lock as show on picture.



Assembly Instructions

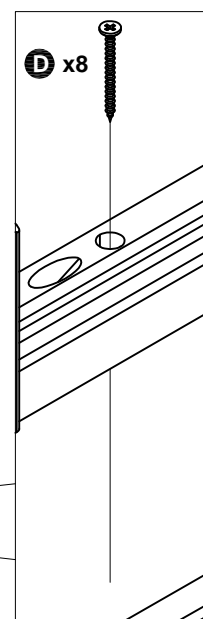
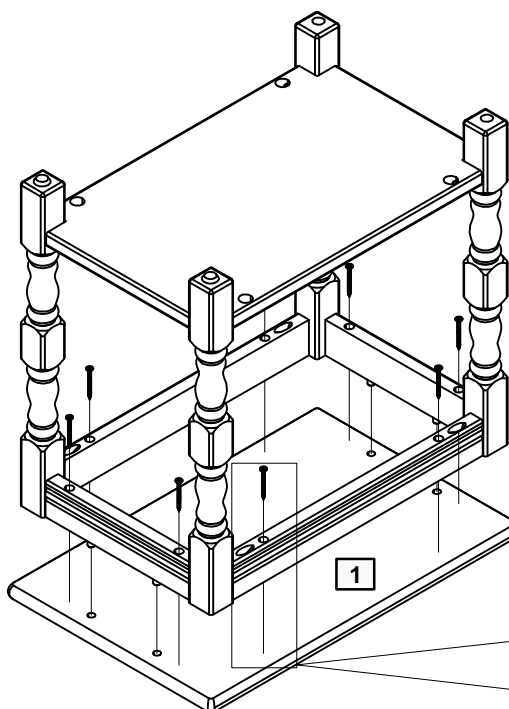
Step 3

Fixing rails **3** to Side frame **2** by 4 Screw **D** as show on picture. Use screw driver turn Screw **D** clock wise to fix.



Step 4

Fix the unit to Top panel **1** by 8 Screw **D** as show on picture.



Assembly is completed.