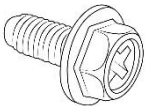


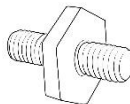
# Installation

- This appliance can be installed as a built under unit only. The clearances shown in the below drawing must be followed.
- Avoid damaging the product during installation, positioning of the appliance requires two people in order to avoid injuries or damage to the appliance.
- Your appliance should not be located in direct sunlight or exposed to continuous heat or extremes of temperature (e.g. next to a radiator or boiler). If this is not feasible, then you should install an insulation plate between the appliance and the adjacent heat source.
- You should check whether there is an electrical socket available, which will be accessible after your appliance is installed.
- Place the appliance flatly and firmly on a solid base
- Be sure to leave enough space for the opening of the door, to avoid damage to the appliance or personal injury
- The aperture size has to be a minimum of (H)825 x (W)600 x (D)550mm.
- The accessories that are required for installation are detailed below:

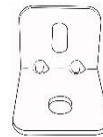
2 x Bolt headed screw



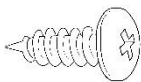
2 x Double screw threaded screw



2 x L door bracket  
(vertical adjustment hole)



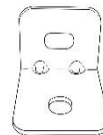
7 x Screws (round head)



2 x Capped nut



2 x L door bracket  
(horizontal adjustment hole)

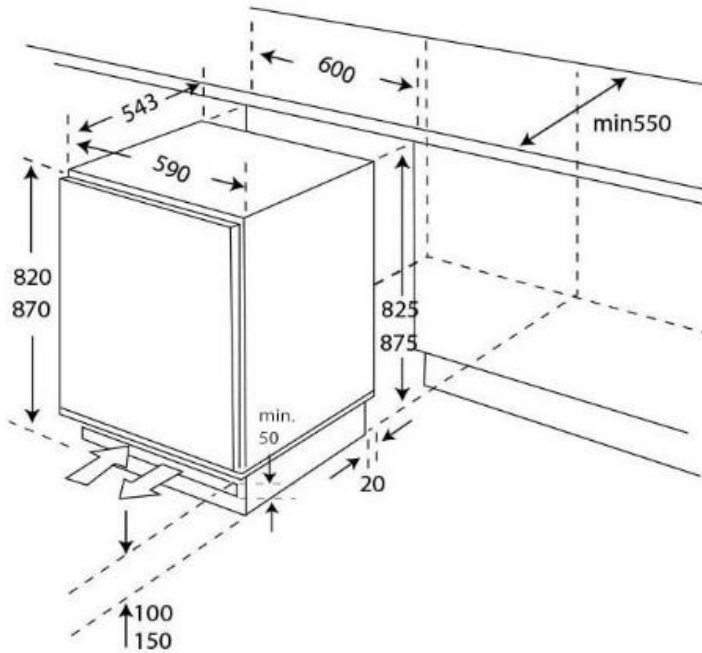


**Russell Hobbs**

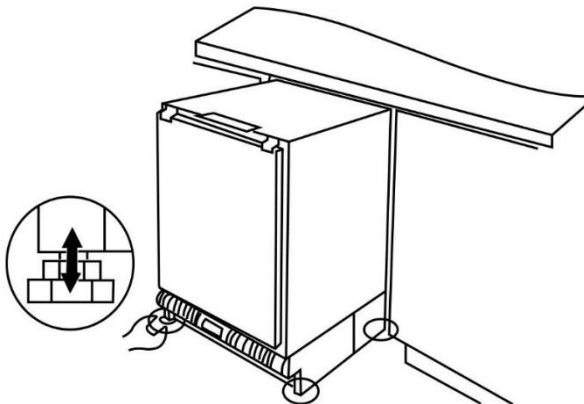
For Customer Services & Spare Parts please call **0345 208 8750**  
Opening times: Monday - Friday 8am – 8pm & Saturday 9am – 1pm  
or visit us at [www.productcare.co.uk](http://www.productcare.co.uk)

# Installation

The aperture size has to be a minimum of (H)825 x (W)600 x (D)550mm.



Adjust the height of the appliance by adjusting the 4 adjustable feet (2 at the rear and 2 at the front). The height can be adjust from 820mm to 870mm.

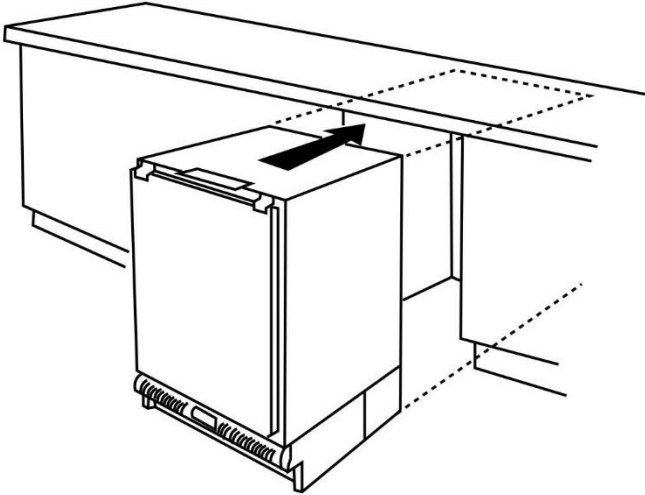


 Russell Hobbs

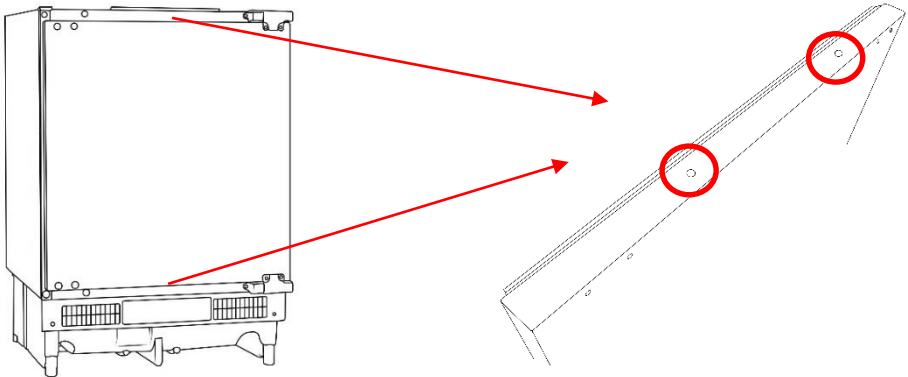
For Customer Services & Spare Parts please call **0345 208 8750**  
Opening times: Monday - Friday 8am – 8pm & Saturday 9am – 1pm  
or visit us at [www.productcare.co.uk](http://www.productcare.co.uk)

# Installation

Carefully push the appliance into the housing, ensuring that the cabinet door is able to fully close. If required the feet should be further adjusted.



To fit the cabinet door you will need to remove the 2 screw hole covers on the top of the appliance door and the 2 screw hole covers from the bottom of the appliance door. To do this get a flat headed screw driver and carefully raise the screw hole covers before pulling them out with your hands.

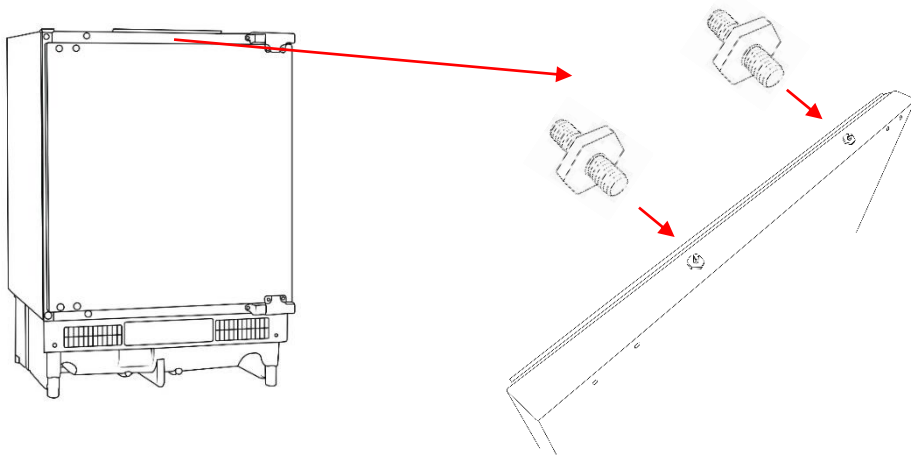


 Russell Hobbs

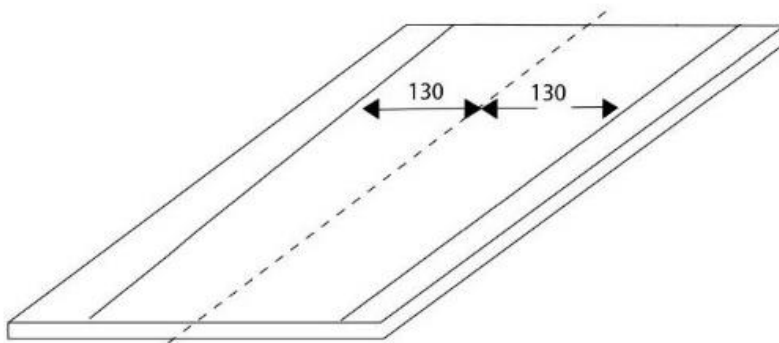
For Customer Services & Spare Parts please call **0345 208 8750**  
Opening times: Monday - Friday 8am – 8pm & Saturday 9am – 1pm  
or visit us at [www.productcare.co.uk](http://www.productcare.co.uk)

# Installation

Fix the 2 x double screw threaded screws in to the holes left by removing the 2 screw hole covers from the top of the appliance door. **You must ensure that the longest screw thread is screwed in to the appliance door.**



On the back of the cabinet door (the side that will not be seen) mark a vertical centre line from the top of the door to the bottom. Again on the back of the cabinet door draw 2 vertical lines that are 130mm either side of the central line from the top of the door to the bottom.



Back of the cabinet door



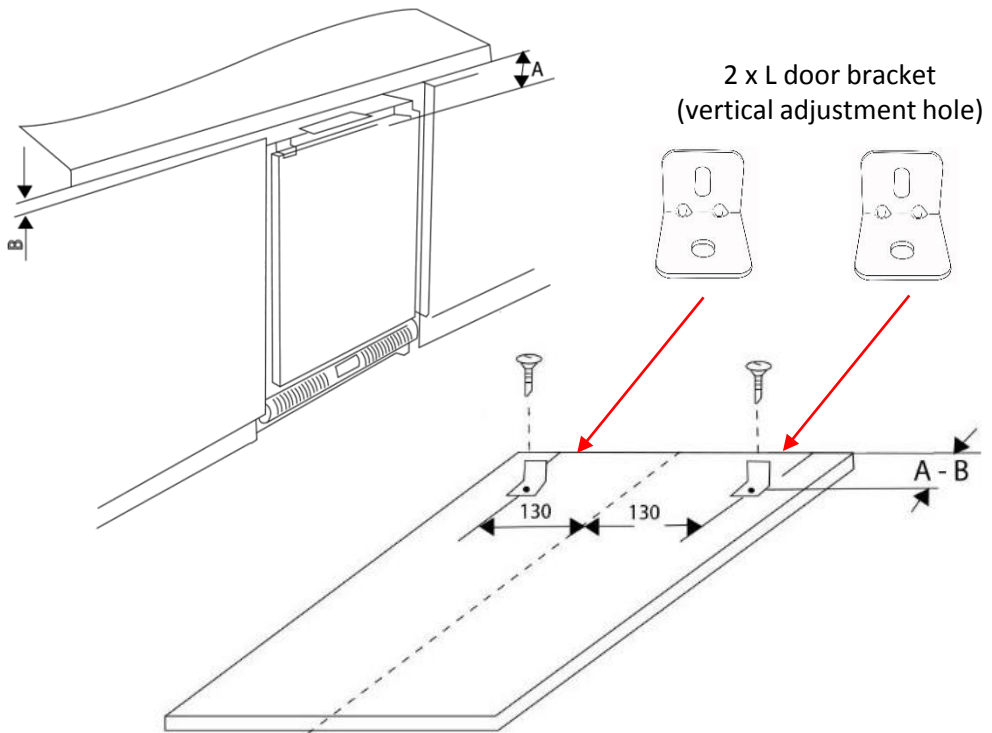
Russell Hobbs

For Customer Services & Spare Parts please call **0345 208 8750**  
Opening times: Monday - Friday 8am – 8pm & Saturday 9am – 1pm  
or visit us at **[www.productcare.co.uk](http://www.productcare.co.uk)**

# Installation

Fix the 2 x L door brackets with the vertical adjustment holes to the back of the top part of cabinet door with 2 x round headed screw by following the below instructions:

- Fix the short side of the 2 x L door brackets to the back of the cabinet door
- Fix the 2 x L door brackets at the distance of **Distance A minus Distance B**
- **Distance A** = the distance from the top edge of the appliance door to the bottom edge of the worktop.
- **Distance B** = the distance from the top edge of the cabinet door (on the adjacent cabinet) to the bottom edge of the worktop
- You may need to drill holes in the back of the cabinet door for the screws, if so drill 2 x  $\varnothing$  2.8mm holes to a depth of 10mm



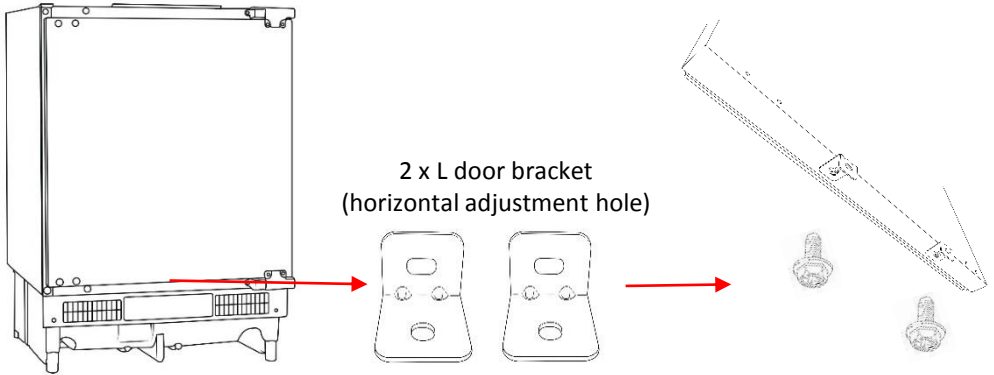
Back of the cabinet door

 Russell Hobbs

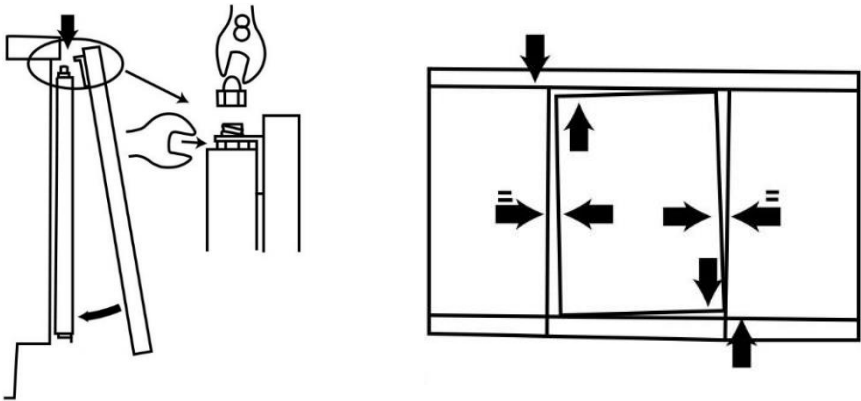
For Customer Services & Spare Parts please call **0345 208 8750**  
Opening times: Monday - Friday 8am – 8pm & Saturday 9am – 1pm  
or visit us at [www.productcare.co.uk](http://www.productcare.co.uk)

# Installation

Fix the 2 x L door brackets with the horizontal adjustment holes in to the holes left by removing the 2 screw hole covers from the bottom of the appliance door with the 2 x bolt headed screw. You must ensure you fix the long side of the 2 x L door brackets to the bottom of the appliance door and that the short side points to the floor and away from the appliance.



Fix the cabinet door onto the door of the appliance by putting the long side of the 2 x L door bracket that are fitted on the top part of the cabinet door on to the 2 x double screw threaded screws that are fitted to the top of the door of the appliance. Align the cabinet door to the adjacent cabinets by using the vertical and horizontal adjustment holes on the L shaped door brackets before fixing the 2 x capped nut to the 2 x double screw threaded screws.

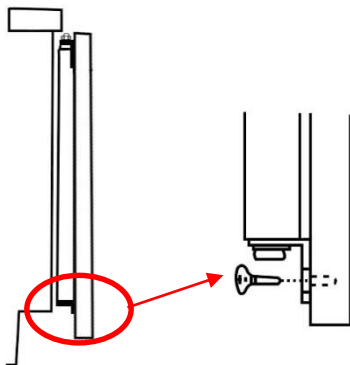


 Russell Hobbs

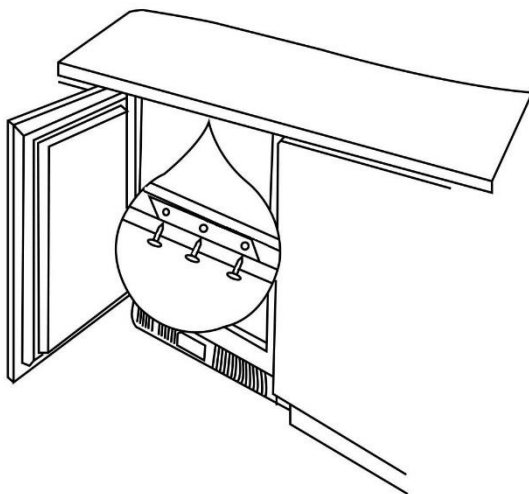
For Customer Services & Spare Parts please call **0345 208 8750**  
Opening times: Monday - Friday 8am – 8pm & Saturday 9am – 1pm  
or visit us at [www.productcare.co.uk](http://www.productcare.co.uk)

# Installation

Fix the short side of the 2 x L shaped door brackets at the bottom of the appliance door on to the cabinet door with 2 x round headed screw. You may need to drill holes in the back of the cabinet door for the screws, if so drill 2 x 2.8mm  $\varnothing$  holes to a depth of 10mm



**Ensure the cabinet door and the appliance door can open and close fully, before finally tightening all screws.** Now fix the appliance to the worktop with 3 x round headed screw. To do this you may need to drill holes in the underside of the worktop, if so drill 3 x  $\varnothing$  2.8mm holes to a depth of 10mm.



Russell Hobbs

For Customer Services & Spare Parts please call **0345 208 8750**  
Opening times: Monday - Friday 8am – 8pm & Saturday 9am – 1pm  
or visit us at **[www.productcare.co.uk](http://www.productcare.co.uk)**

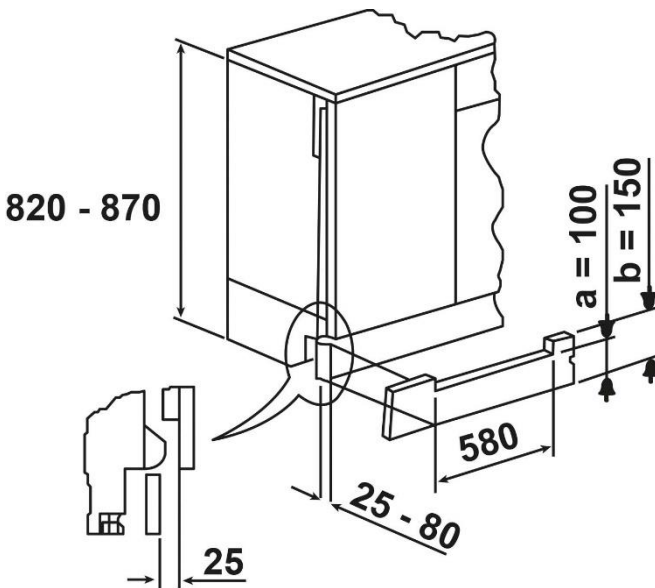
# Fitting the plinth

The ventilation grill the appliance has been manufactured with must used, if it isn't or modified then the operation of the appliance could be affected.

The plinth must also be positioned at least 25mm from the appliance door.

If the height of the appliance is 820mm then a plinth that is 100mm in height can be fitted without any modification. However if the height of the plinth is greater than 100mm then a cut out that is 580mm wide and the height of the cut out will vary depending on the height of the plinth. If the height of the plinth is 150mm then the height of the cut out should be 50mm.

Once the above has been done fix the plinth in place



For Customer Services & Spare Parts please call **0345 208 8750**  
Opening times: Monday - Friday 8am - 8pm & Saturday 9am - 1pm  
or visit us at [www.productcare.co.uk](http://www.productcare.co.uk)