

# Installation

- This appliance can be installed as a built in unit only. The clearances shown in the below drawing must be followed.
- Avoid damaging the product during installation, positioning of the appliance requires two people in order to avoid injuries or damage to the appliance.
- Your appliance should not be located in direct sunlight or exposed to continuous heat or extremes of temperature (e.g. next to a radiator or boiler). If this is not feasible, then you should install an insulation plate between the appliance and the adjacent heat source.
- You should check whether there is an electrical socket available, which will be accessible after your appliance is installed.
- Place the appliance flatly and firmly on a solid base.
- Be sure to leave enough space for the opening of the door, to avoid damage to the appliance or personal injury
- The aperture size has to be a minimum of (H)1775 x (W)560 x (D)555mm. The cabinet in which the appliance is housed in must have a ventilation recess of (W)540 x (D)50mm.
- The wooden cabinet the appliance is to be housed in must not be enclosed. The back wooden panel of the cabinet must either be removed completely or cut out in accordance with the diagram on page 12. This is to allow sufficient air circulation to cool down the condenser unit for energy efficiency.
- The accessories that are required for installation are detailed below:

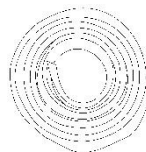
2 x Large Screws



4 x Door guide



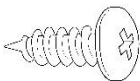
1 x Joint cover



2 x hinge cover



8 x Screws (round head)



4 x Door guide cover



Blanking covers

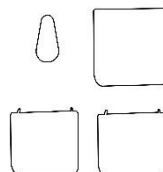
16 x Screws (flat head)



4 x Door guide holder



4 x Door guide holder cover

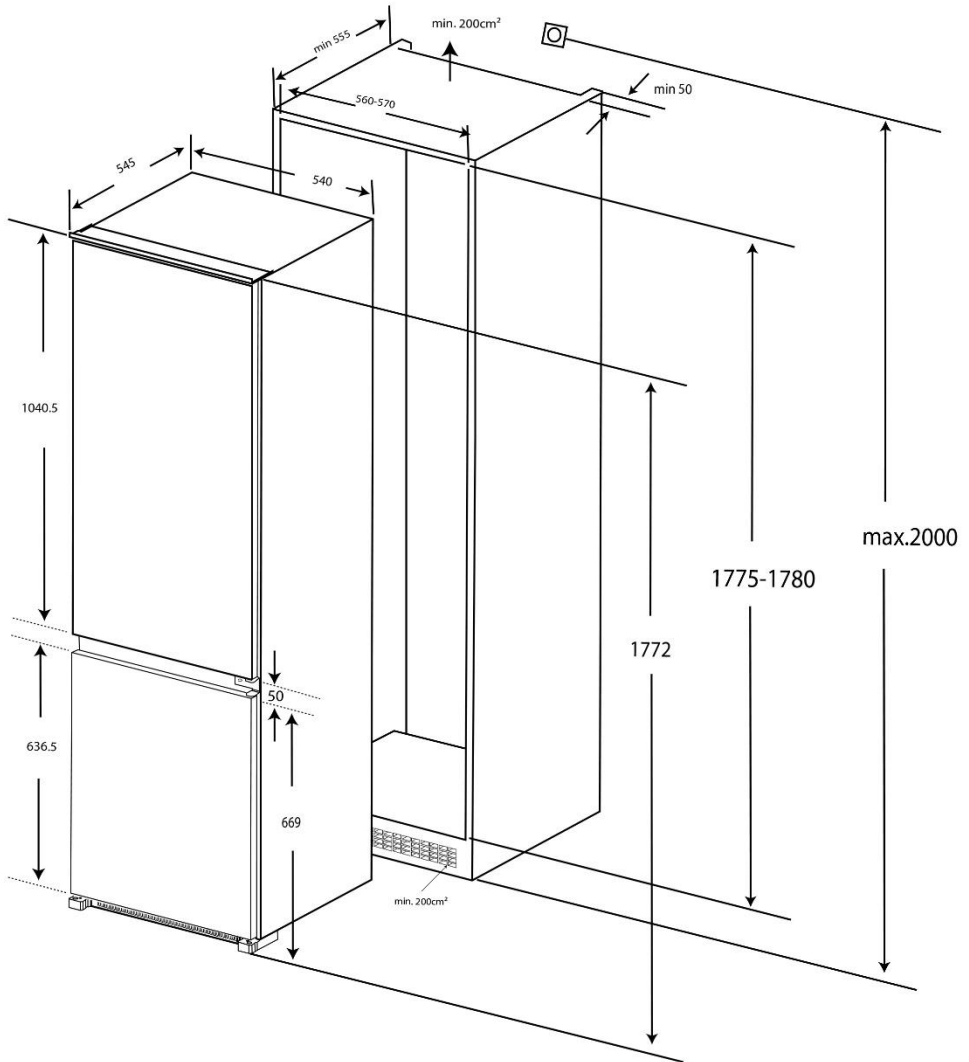


**Russell Hobbs**

For Customer Services & Spare Parts please call **0345 208 8750**  
 Opening times: Monday - Friday 8am – 8pm & Saturday 9am – 1pm  
 or visit us at [www.productcare.co.uk](http://www.productcare.co.uk)

# Installation

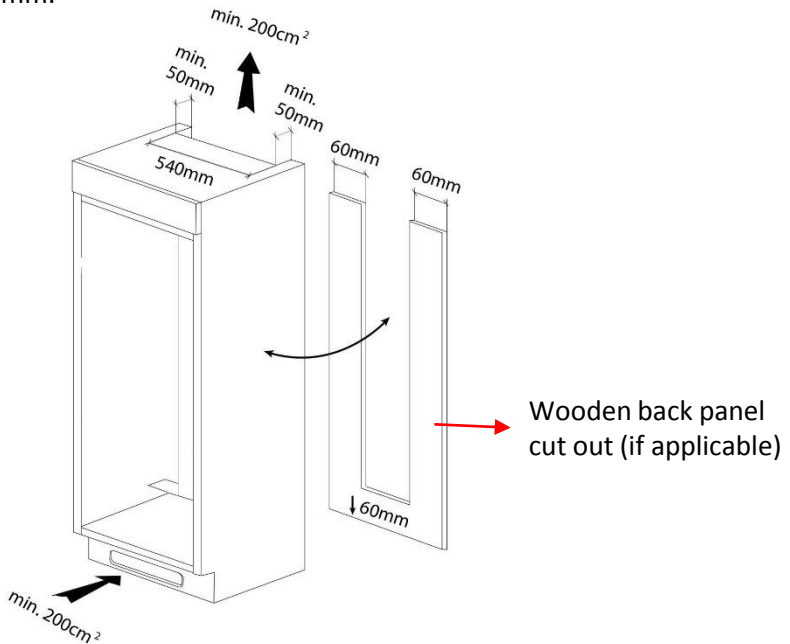
The aperture size has to be a minimum of (H)1775 x (W)560 x (D)555mm. The cabinet in which the appliance is housed in must have a ventilation recess of (W)540 x (D)50mm.



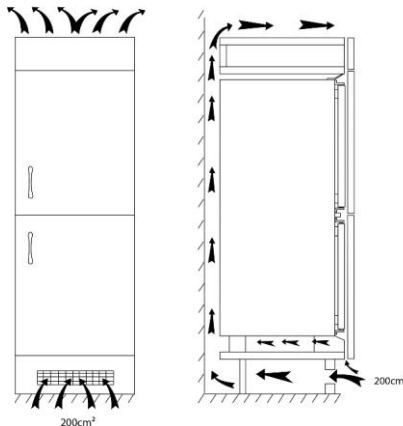
For Customer Services & Spare Parts please call **0345 208 8750**  
Opening times: Monday - Friday 8am – 8pm & Saturday 9am – 1pm  
or visit us at [www.productcare.co.uk](http://www.productcare.co.uk)

# Installation

The cabinet in which the appliance is housed in must have a ventilation recess of (W)540 x (D)50mm.



Carefully push the appliance into the housing, ensuring that the cabinet doors are able to fully close.

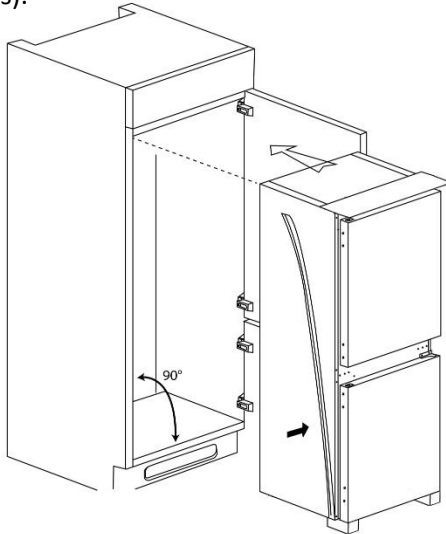


Russell Hobbs

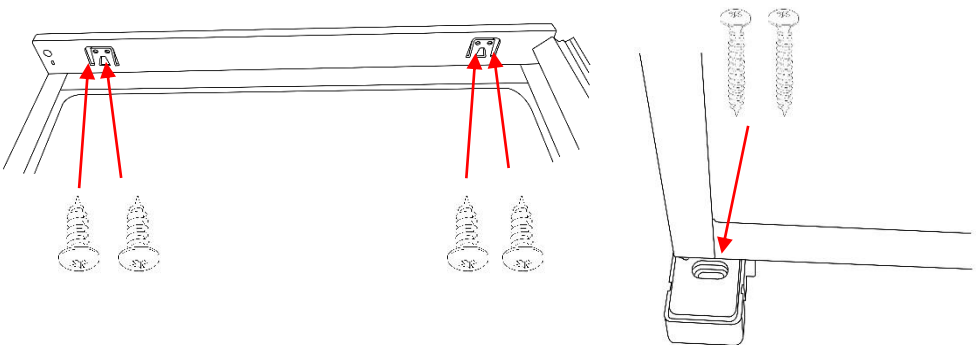
For Customer Services & Spare Parts please call **0345 208 8750**  
Opening times: Monday - Friday 8am – 8pm & Saturday 9am – 1pm  
or visit us at [www.productcare.co.uk](http://www.productcare.co.uk)

# Installation

Rollout the joint cover and on the side of the appliance without the hinges press it between the appliance and the inside of the cabinet wall (start from the bottom and work upwards).



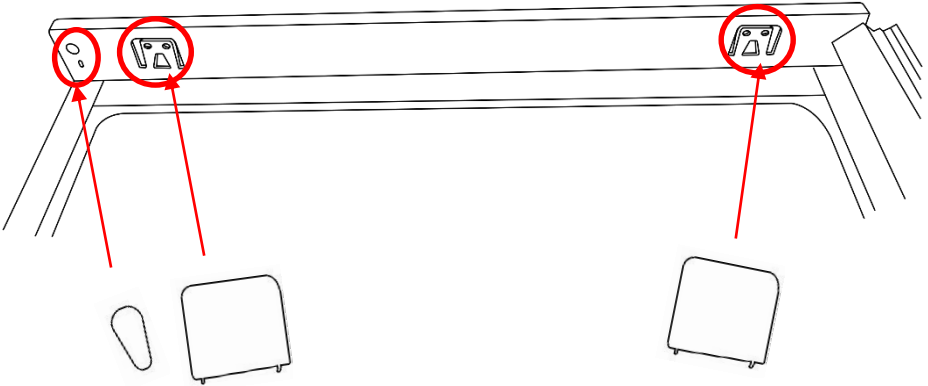
Open the door and push the side of the appliance without the hinges against the side of cabinet wall. Fix the appliance in two places, 4 round headed screws in the top plinth at the top of the appliance and the 2 large screws in the foot at the bottom of the appliance that does not hinge the freezer door.



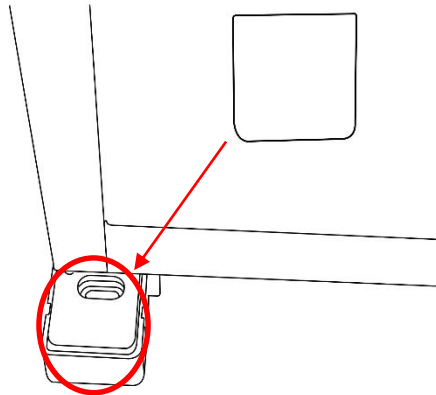
For Customer Services & Spare Parts please call **0345 208 8750**  
Opening times: Monday - Friday 8am – 8pm & Saturday 9am – 1pm  
or visit us at [www.productcare.co.uk](http://www.productcare.co.uk)

# Installation

Apply blanking covers by clipping them in to place at the top metal plinth at the top of the appliance.



Apply a blanking cover by clipping it in to place on the foot at the bottom of the appliance that does not hinge the freezer door.



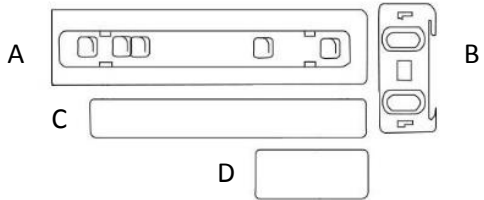
 Russell Hobbs

For Customer Services & Spare Parts please call **0345 208 8750**  
Opening times: Monday - Friday 8am - 8pm & Saturday 9am - 1pm  
or visit us at [www.productcare.co.uk](http://www.productcare.co.uk)

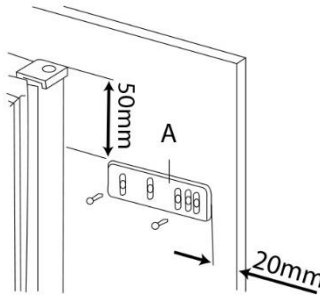
# Installation – Door attachment

1. There are 4 packs that will have parts A,B,C and D (see the below), please separate the parts of each different pack

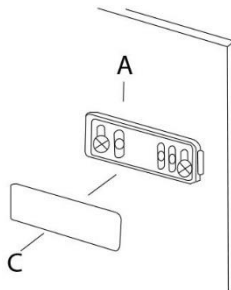
- A. Door guide
- B. Door guide holder
- C. Door guide cover
- D. Door guide holder cover



2. Open the cabinet door and the fridge door, mark on the back of the cabinet door where the top of the fridge door reaches. Place the door guide (part A) on the back of the cabinet door, in the location shown below and mark the position of first hole and the last hole on the door guide. Fix the door guide into place with 2 flat headed screws.



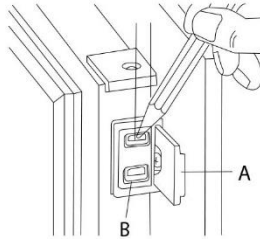
3. Clip the door guide cover (part C) on the door guide (part A) hiding the screws.



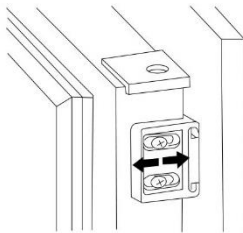
For Customer Services & Spare Parts please call **0345 208 8750**  
Opening times: Monday - Friday 8am – 8pm & Saturday 9am – 1pm  
or visit us at [www.productcare.co.uk](http://www.productcare.co.uk)

# Installation – Door attachment

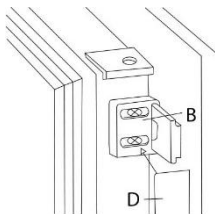
4. Open the appliance door and the cabinet door to 90°, insert the door guide holder (part B) on to the door guide (part A). Push the appliance door and the cabinet door together and mark 2 holes on the end of the appliance door as indicated in below (these may be pre-drilled).



5. Pull the appliance door away from the cabinet door (leaving the door guide holder (part B) still attached to the door guide (part A)). Carefully drill 2 x 2mm  $\Phi$  pilot holes, 8mm from the outer edge of the door (these may be pre-drilled). Push the appliance door and the cabinet door together, make sure the door guide holder (part B) is still attached to the door guide (part A) and fix it with 2 flat headed screws. If any adjustment that is needed then use the clearance space in the screw slots of the door guide holder (part B) on to the door guide (part A).



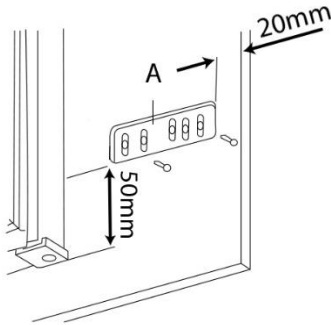
6. Before clipping the door guide holder cover (part D) on to the door guide holder (part B) you must check that the cabinet door closes correctly. If it does clip the cover in place.



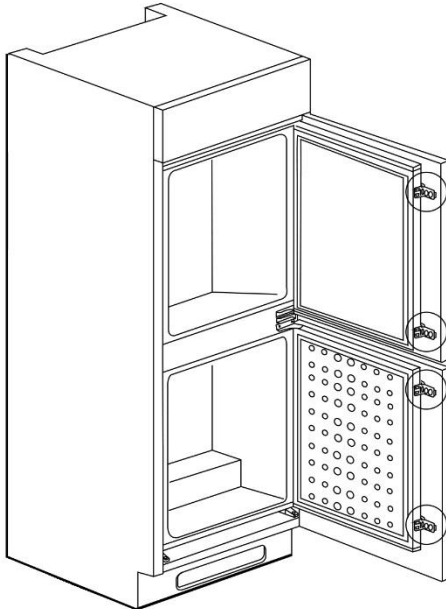
For Customer Services & Spare Parts please call **0345 208 8750**  
Opening times: Monday - Friday 8am – 8pm & Saturday 9am – 1pm  
or visit us at [www.productcare.co.uk](http://www.productcare.co.uk)

# Installation – Door attachment

7. You will then have to repeat these steps at the bottom of the fridge door, please ensure you follow the below diagram when locating the door guide (part A) on the bottom of the fridge door.



8. Repeat all steps for the freezer door, once this is done the installation should look like the below image.



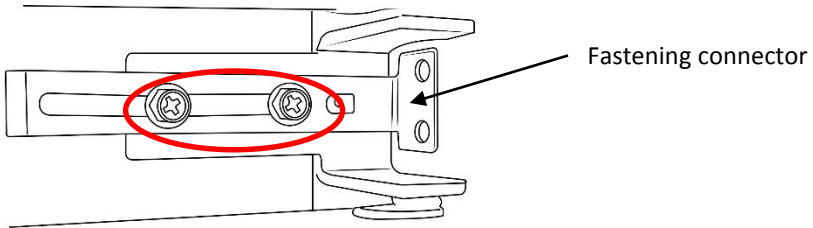
**Russell Hobbs**

For Customer Services & Spare Parts please call **0345 208 8750**  
Opening times: Monday - Friday 8am – 8pm & Saturday 9am – 1pm  
or visit us at [www.productcare.co.uk](http://www.productcare.co.uk)

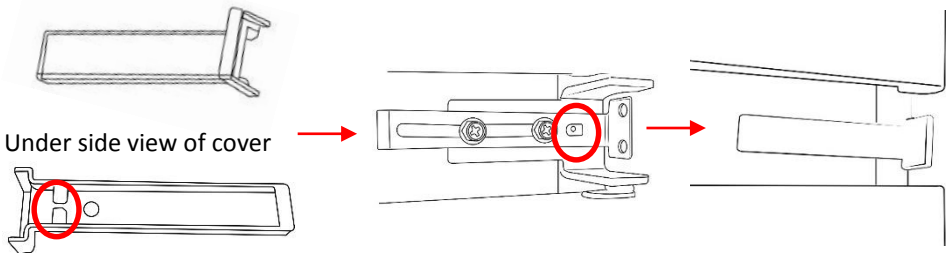


# Installation – Hinge cover

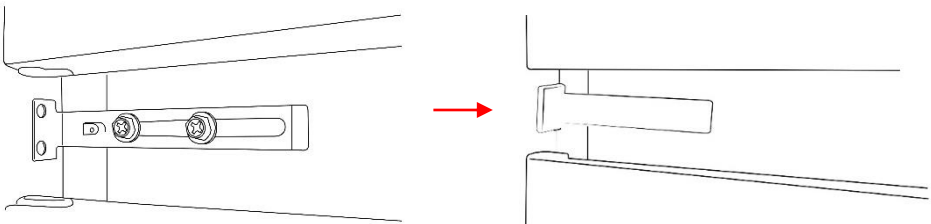
1. Loosen the 2 screws from the middle hinge and adjust and fasten connecting bracket so it flush with the kitchen cabinet. Fix it in place with 2 round headed screws and screw the hinge back on to the appliance.



2. Slot on the hinge cover, the 2 clips on the back of the cover should slot into the raised clip on the fastening connector



3. On the second fastening connecting bracket on the opposite side, you simply just have to slot the hinge cover on to it via the clips.



 Russell Hobbs

For Customer Services & Spare Parts please call **0345 208 8750**  
Opening times: Monday - Friday 8am – 8pm & Saturday 9am – 1pm  
or visit us at [www.productcare.co.uk](http://www.productcare.co.uk)