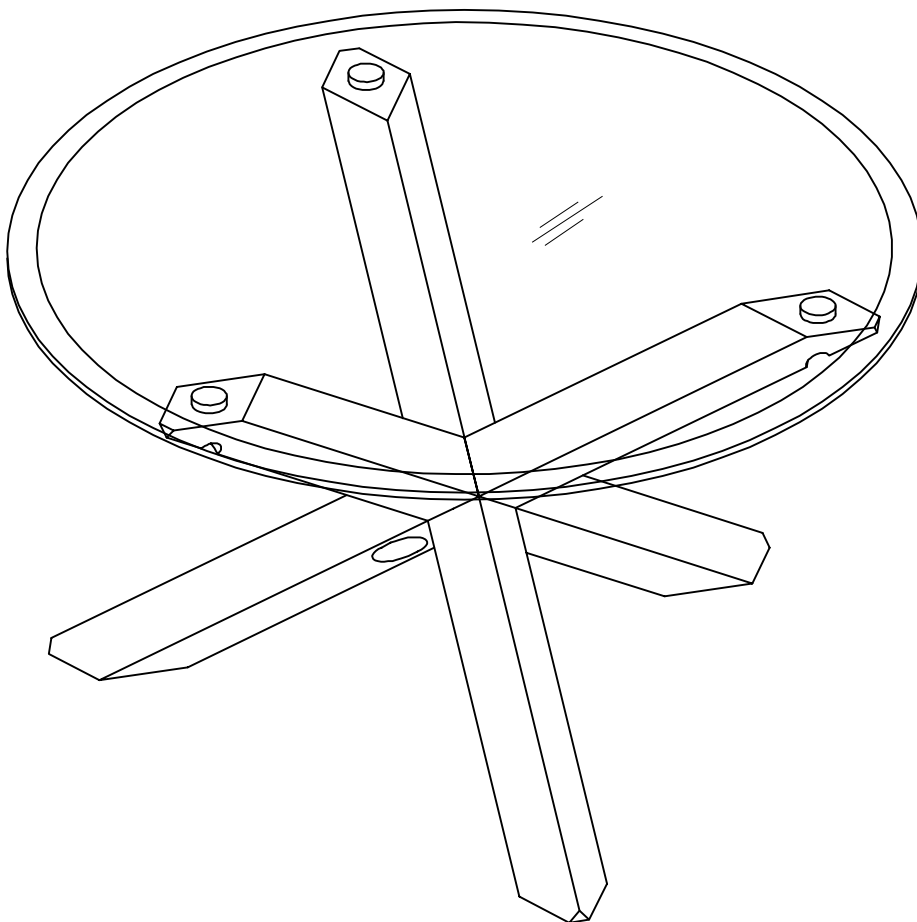


# Oakington Dining Table

Assembly Instructions - Please keep for future reference

515/3385



## Dimensions

Width - 122 cm  
Depth - 122 cm  
Height - 75 cm

**Important** - Please read these instructions fully before starting assembly

If you need help or have damaged or missing parts, call the **Customer Helpline: 0345 640 0800**



# Safety and Care Advice

**Important** - Please read these instructions fully before starting assembly

- Check you have all the components and tools listed on pages 2 and 3.
- Do not stand on the product, this could cause damage.
- Assemble on a soft level surface to avoid damaging the unit or your floor.
- Remove all fittings from the plastic bags and separate them into their group.
- Assemble the item as close to its final position (in the same room) as possible.
- Dispose of all packaging carefully and responsibly.
- Keep children and animals away from the work area, small parts could choke if swallowed.
- Make sure you have enough space to layout the parts before starting.
- Parts of the assembly will be easier with 2 people. Look for this logo.



## Solid Wood / Real Wood Veneers

- This product has been finished using natural materials. As a living material, you may notice some variation in the grain and colour shade between the different components.
- Unlike a synthetic or man-made material which has a uniform finish, a feature of natural wood is its variation in grain and colour. We wish to reassure you that this is quite normal and is not the result of any manufacturing fault.
- Where sheets of wood are joined together, a line may be detected. Again, this is normal and is not an imperfection.
- Nature wood often have random pale markings in the grain, there are medullary rays which are a natural unique feature of the wood.

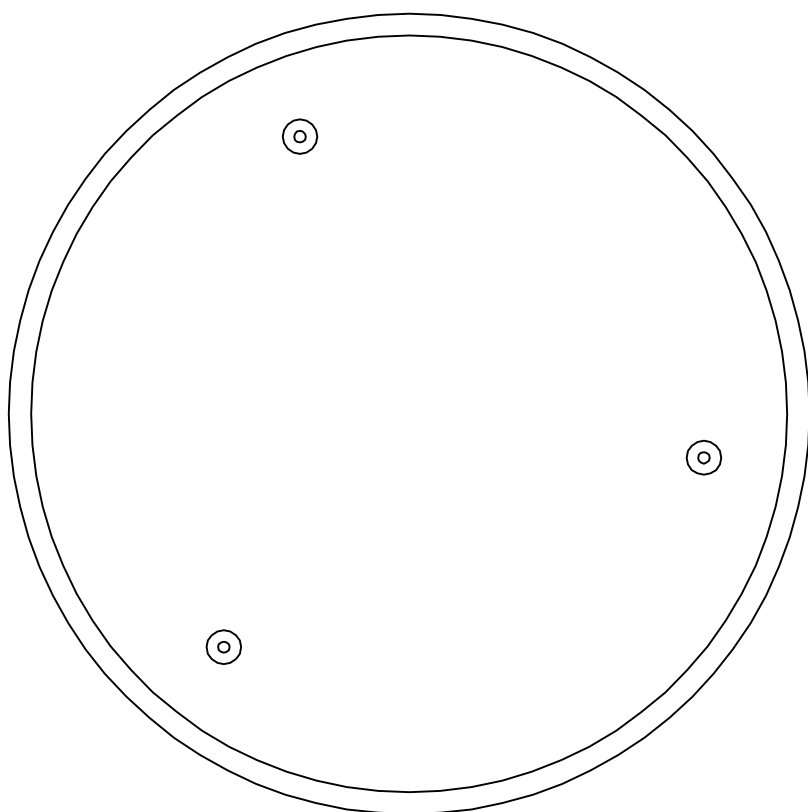
## Care and maintenance

- Only clean using a damp cloth and mild detergent, do not use bleach or abrasive cleaners.
- From time to time check that there are no loose screws on this unit.
- This product should not be discarded with household waste. Take to your local authority waste disposal centre.
- Always use a non-silicone based furniture polish. Silicone in furniture polishes can break down the lacquer finish of leg frame.
- Any spills should be removed immediately with a soft, clean, damp cloth and dried immediately.
- Ensure the product is protected with mats and coasters when items are placed on the surfaces, to prevent scratching or damage.
- Use non-silicone bees wax to maintain the shine. Do not use furniture polish.
- Avoid keeping furniture in direct sunlight or close to any heat sources as this can cause cracking, discoloration or warping.
- Never drag pieces of furniture across the floor as this will cause damage to the joints.
- Do not put hot dishes directly on the surfaces of the item.
- Do not lift the glass top when moving the table, please lift from the wooden base frame only.

# Components - Parts

If you have damaged or missing components,  
call the customer helpline: 0345 640 0800

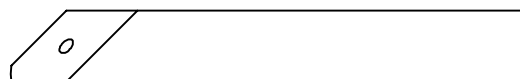
Please check you have all the parts listed below



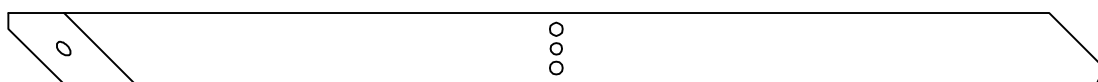
**1** Glass table top (Ø122 x 1cm)



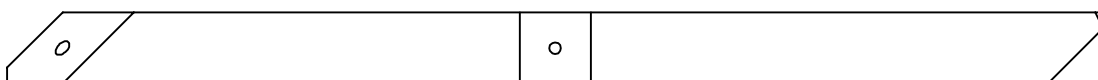
**4** Short leg (lower)  
(65 x 8cm)



**5** Short leg (upper)  
(65 x 8cm)



**2** Long leg (138 x 8cm)

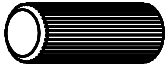





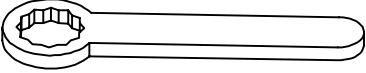





**3** Long leg (138 x 8cm)

# Components - Fittings

Please check you have all the fittings listed below

**Note:** The quantities below are the correct amount to complete the assembly. In some cases more fittings may be supplied than are required.

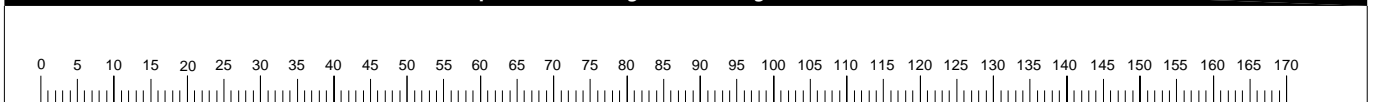
<p><b>A</b></p>  <p>Ø10x40 Wooden Dowel x 4</p>	<p><b>B</b></p>  <p>M8x150mm Long Threaded Rod x 1</p>	<p><b>C</b></p>  <p>M8 Hex Nut x 1</p>
<p><b>D</b></p>  <p>Spring Washer x 1</p>	<p><b>E</b></p>  <p>Washer x 1</p>	<p><b>F</b></p>  <p>Semicircular Washer x 1</p>
<p><b>G</b></p>  <p>Spanner x 1</p>	<p><b>H</b></p>  <p>M8x50mm Short Threaded Rod x 3</p>	<p><b>J</b></p>  <p>M8x18mm Female nut x 3</p>
<p><b>K</b></p>  <p>Allen key M4 x 1</p>		

## Tools required



Ruler/tape  
measure

Ruler - Use this ruler to help correctly identify the bolts



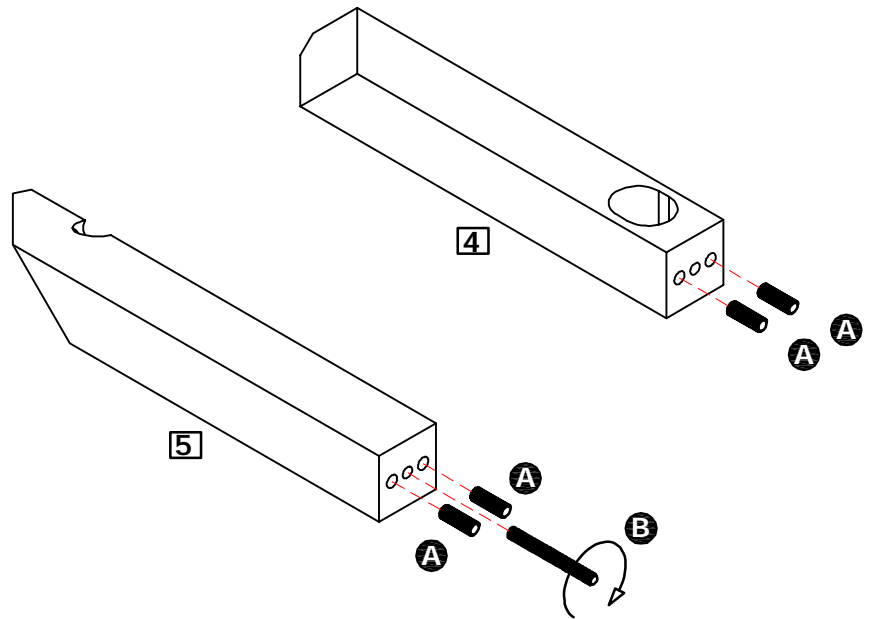
# Assembly Instructions

## Step 1

### Preparing short legs

Insert wood dowels **A** into the ends of short legs **4** and **5**.

Screw long threaded rod **B** into the central hole of upper short leg **5**.

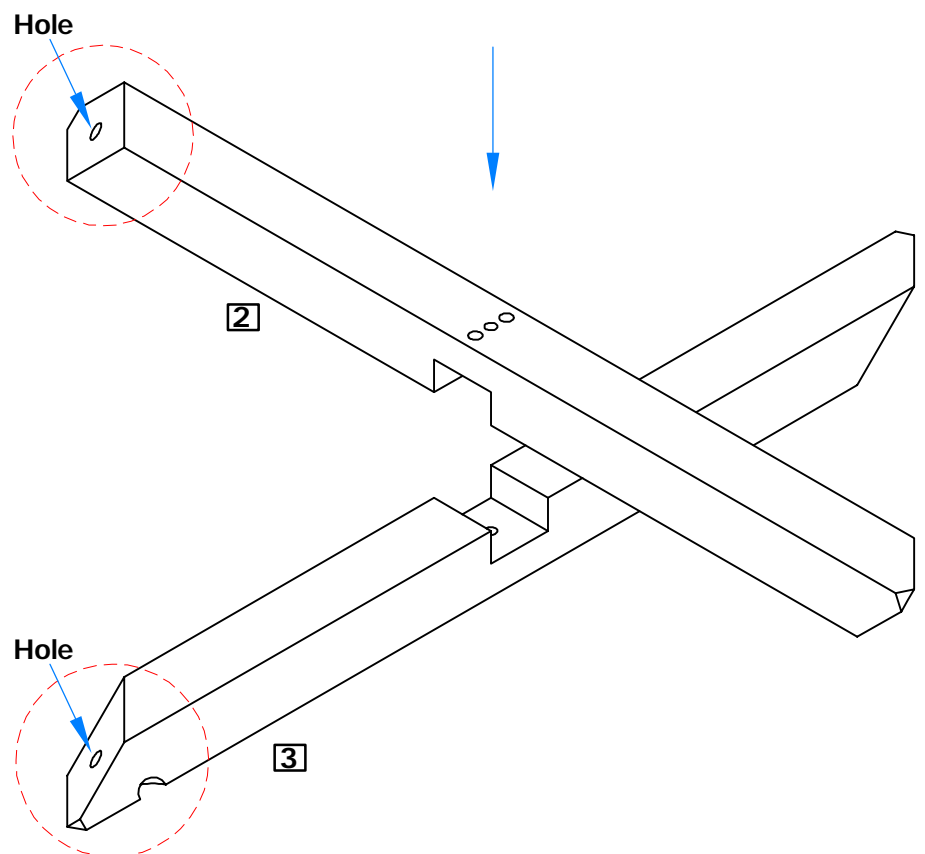


## Step 2

### Locating long legs

Locate long legs **2** and **3** together as shown.

**Note:** Ensure the holes in one end of legs **2** and **3** are located on the same side as shown.



# Assembly Instructions

## Step 3

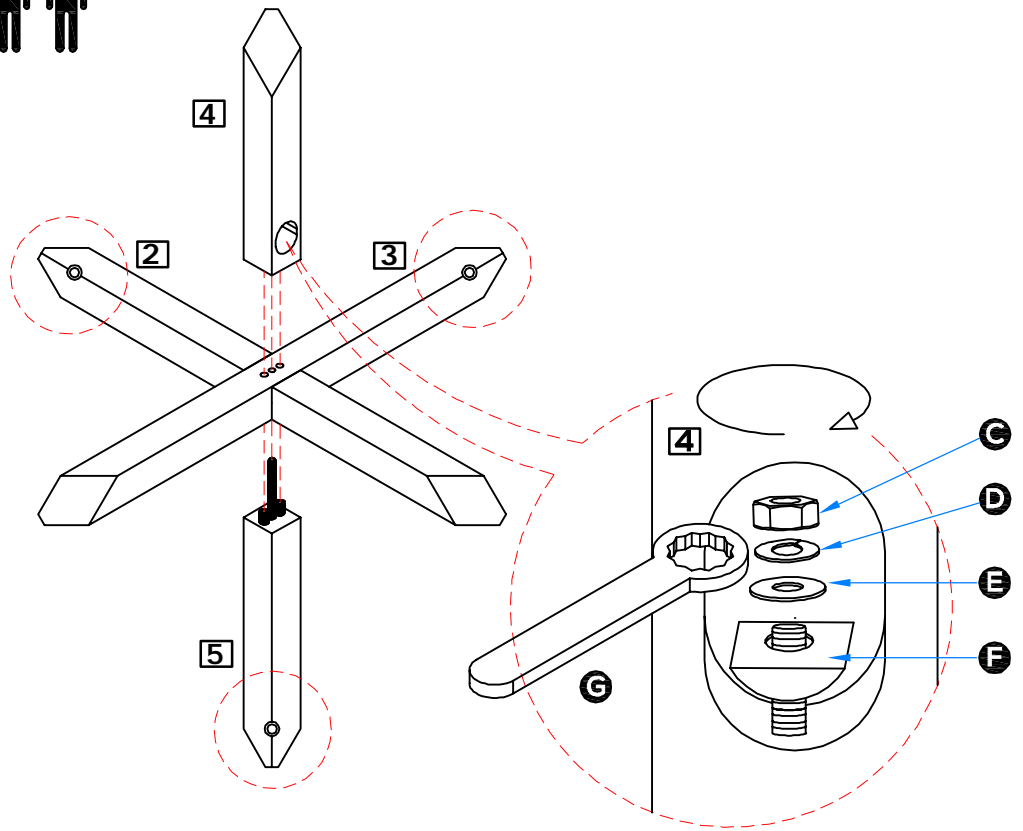
### Assembling leg frame

With help, assemble the upper and lower short legs **4** and **5** on either side of the long legs as shown.

**Note:** Ensure the fixing holes are located as shown.

Secure the assembly using fixings **G** **D** **E** and **F**

**Note:** Do not fully tighten at this stage!



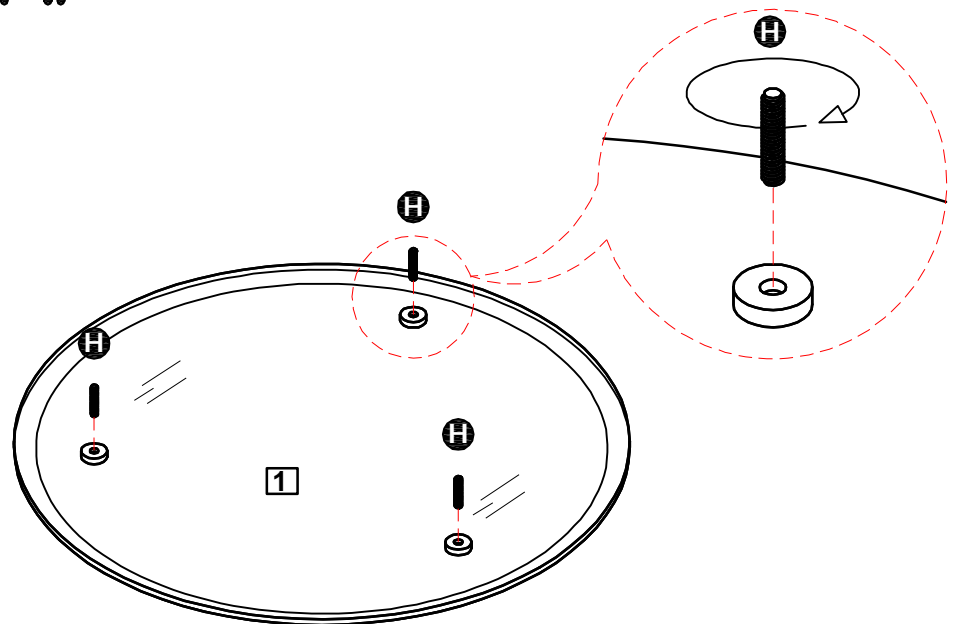
## Step 4

### Preparing glass top

With help, carefully place glass top **1** upside down onto a clean flat surface.

**Note:** The polystyrene foam packaging could be used for this purpose.

Screw short threaded rods **H** into the metal discs on the underside of the glass top.



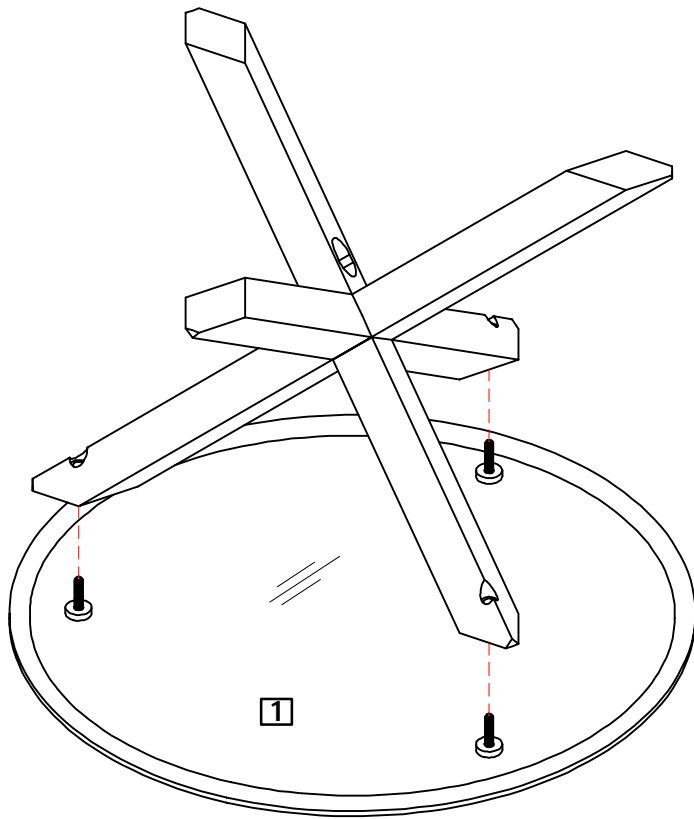
# Assembly Instructions

## Step 5

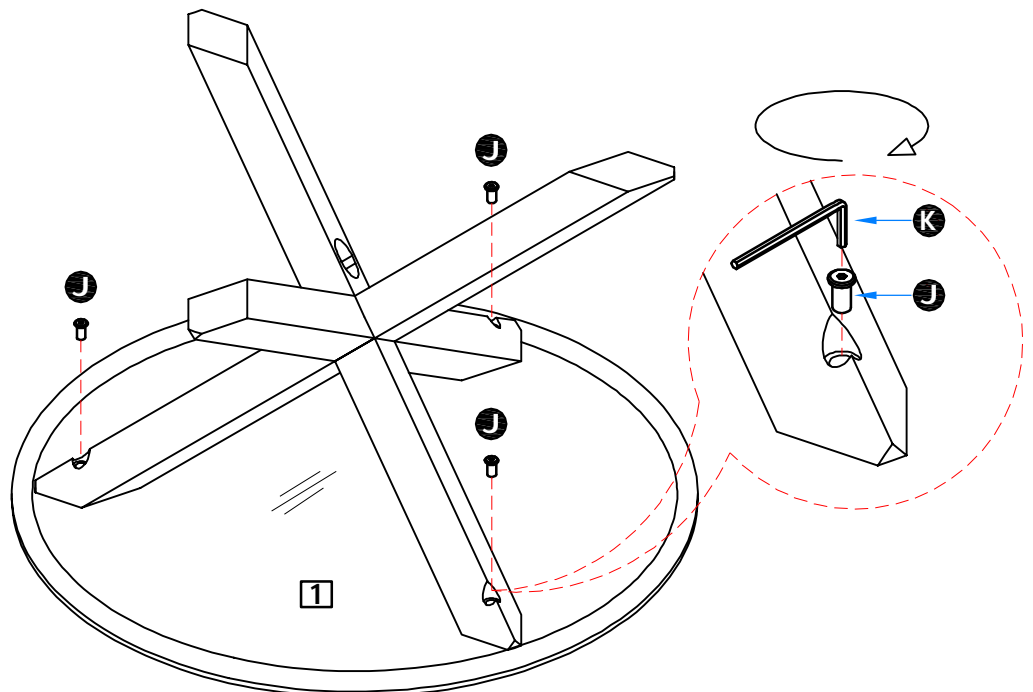
### Assembling leg frame onto glass top



a: With help, carefully align the leg frame onto glass top **1**.



b: Secure using female nuts **J**.

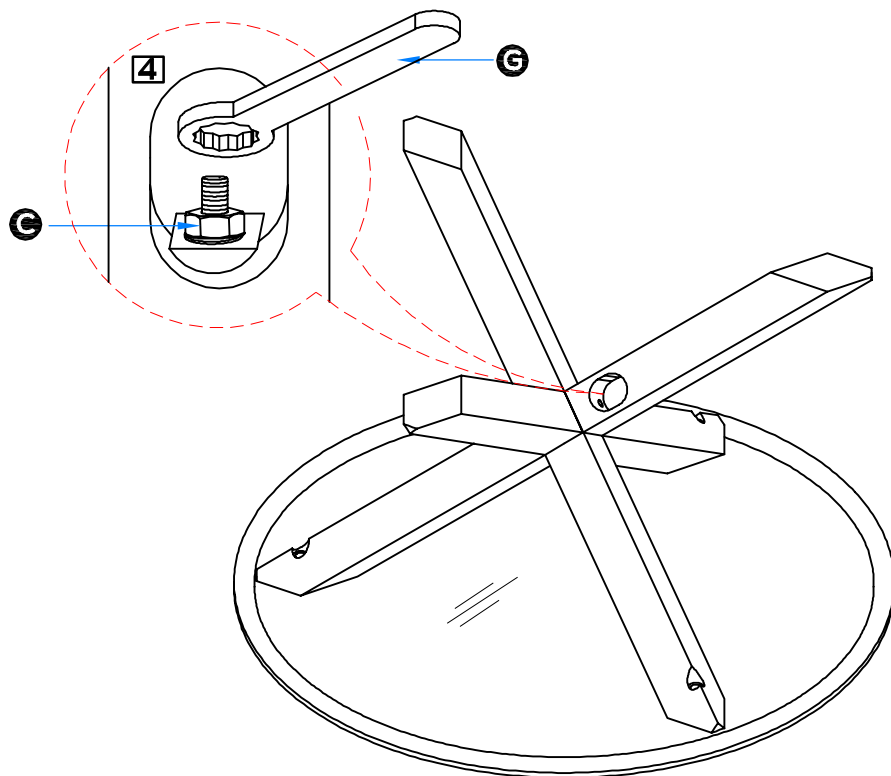


# Assembly Instructions

## Step 6

### Final tightening

Fully tighten nut **G**  
inside lower short leg **4**



## Step 7

### Turn upright

With help, carefully turn  
the table upright.



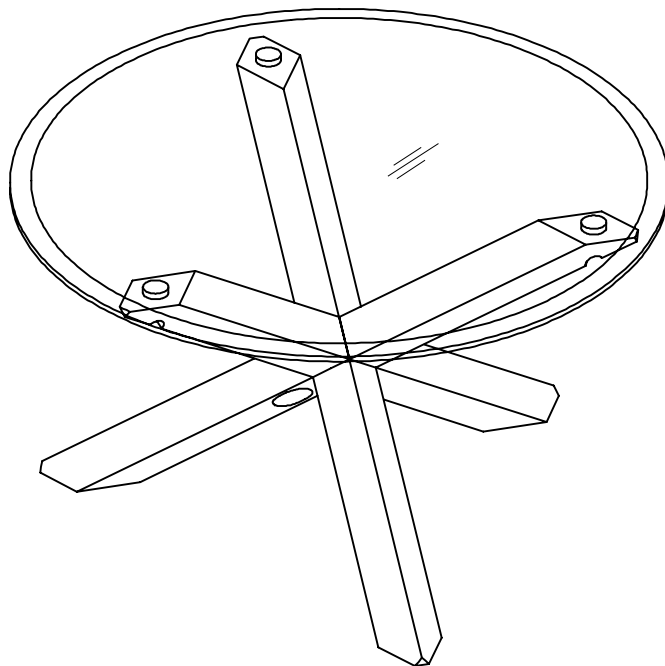
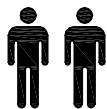
**Warning:**

The table is  
heavy. Lift with care.



**Important:**

Do not use the  
glass top to lift the table  
as it may damage the  
fixing points. **Lift using  
the wooden leg frame  
only!**



**Do not lift using glass top.**

**Assembly is complete**

If you need help or have damaged or missing parts, call the **Customer Helpline: 0345 640 0800**  
**Home Retail Group, 489-499 Avebury Boulevard, Saxon Gate West. Central Milton Keynes MK9 2NW**