

ALBA

CD boombox With radio

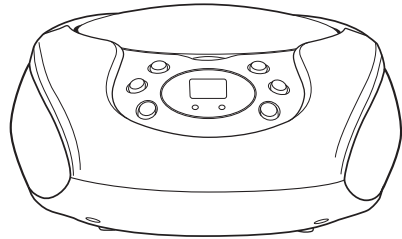
Instruction manual

CBB191CD



Table of contents

Accessories included.....	3
Overview of controls.....	3
Getting started	3
Battery installation.....	3
Battery installation (cont)	4
Mains operation.....	4
Power modes	4
Volume control.....	4
CD operation	4
Load a CD	4
Playing a CD.....	4
Skip & search tracks	4
Repeat & Random playback.....	5
Programmed playback.....	5
Radio operation	5
Aux audio input.....	5
UK Mains plug information.....	6
Disc handling information	6
Technical specifications	6
Care & maintenance	6
Disposal information	7



Product Code

CBB191CD



Safety information

Important – Please read these instructions fully before using

CAUTION: TO REDUCE THE RISK OF ELECTRIC SHOCK, DO NOT REMOVE ANY COVER. NO USER-SERVICEABLE PARTS INSIDE, REFER ANY SERVICING TO QUALIFIED SERVICE PERSONNEL.

- Please take the time to follow the instructions in this owner's guide carefully. It will help you set up and operate your system properly and enjoy all of its advanced features.
- Please save this owner's guide for future reference.
- The product label is located on the back of the product.
- Heed all warnings - on the product and in the owner's guide.
- Do not use this apparatus near water or moisture.
- Do not use this product near a bathtub, washbowl, kitchen sink, and laundry tub, in a wet basement, near a swimming pool, or anywhere else that water or moisture is present.
- Only use attachments/accessories specified by the manufacturer.
- Unplug this apparatus during lightning storms or when unused for long periods of time - to prevent damage to this product.
- Refer all servicing to qualified service personnel
- Servicing is required when the apparatus has been damaged in any way: such as liquid has been spilled or objects have fallen into the apparatus; the apparatus has been exposed to rain or moisture, does not operate normally, or has been dropped -
- Do not attempt to service this product yourself.
- Opening or removing covers may expose you to dangerous voltages or other hazards.
- To prevent risk of fire or electric shock, avoid overloading wall outlets, extension cords, or integral convenience receptacles.
- Use suitable power sources - Plug the product into a suitable power source, as described in the operating instructions or as marked on the product.
- The mains plug is used as the disconnect device, the disconnect device shall remain readily accessible.
- The apparatus shall not be exposed to dripping or splashing and that no objects filled with liquids, such as vases, shall be placed on the apparatus.
- Where the MAINS plug or an appliance coupler is used as the disconnect device, the disconnect device shall remain readily operable.
- Batteries shall not be exposed to excessive heat such as sunshine, fire or the like.



This symbol means that this unit is double insulated. An earth connection is not required.

CAUTION : CLASS 1 LASER PRODUCT

This product utilizes a Class 1 laser. This laser DVD Player is equipped with safety switches to avoid exposure when the door is open and the safety interlocks are defeated. Invisible laser radiation is present when the Player's lid is open and the system's interlock has failed or been defeated. It is very important that you avoid direct exposure to the laser beam at all times. Please do not attempt to defeat or bypass the safety switches.



LASER SAFETY

This unit employs a laser, only qualified service personnel should attempt repair.

- Any electrical work that is required to install this appliance **MUST** be carried out by a qualified electrician.
- Before making any electrical connections, ensure the following:
- Do not bend, stretch or pull the supply cable in order to avoid electric shock.
- The supply voltage should be the same as that indicated in the technical specifications and the appliance rating plate.
- When installed, the power socket must be within easy reach.
- If the socket outlets in your home are not suitable for the plug supplied with this unit check with a qualified electrician for replacement.
- The use of multiple connectors or extension cables are not recommended.
- The appliance must be connected to a 100-240 volt 50/60Hz AC supply by means of a three pin socket.
- The main plug is used as the disconnect device, the disconnect device shall remain readily operable.
- In order to disconnect the apparatus from the mains completely, switch off the outlet and remove the mains plug completely.



CAUTION

**RISK OF ELECTRIC SHOCK!
DO NOT OPEN!**



This product complies with European low voltage (2006/95/EC) and electromagnetic compatibility (2004/108/EC) directives.

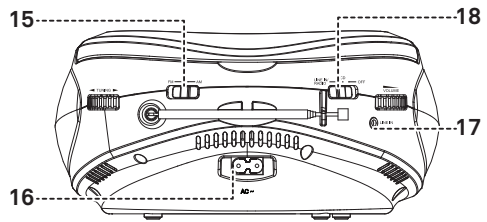
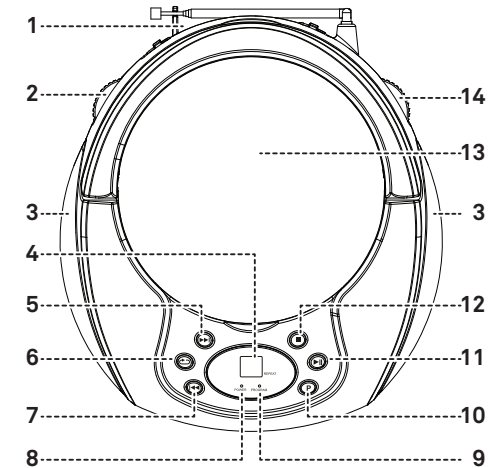
Functions & controls

Please familiarize yourself with the parts and accessories listed below

Accessories included

- 1 x CBB191CD
- 1 x Mains cable
- 1 x Instruction manual

Overview of controls



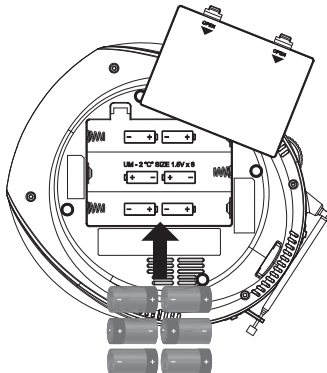
- 1: TELESOPIC antenna
- 2: VOLUME control
- 3: SPEAKERS
- 4: LED DISPLAY
- 5: SKIP button

- 6: REPEAT button
- 7: PREVIOUS button
- 8: POWER LED indicator
- 9: PROGRAM LED indicator
- 10: PROGRAM button

- 11: PLAY/PAUSE/ECO PWR button
- 12: STOP button
- 13: CD compartment lid
- 14: TUNING DIAL control
- 15: RADIO BAND FM/MW switch
- 16: MAINS INPUT socket
- 17: AUX LINE INPUT socket
- 18: FUNCTION switch

Getting started

Battery installation




- 1: Remove the battery compartment cover carefully.
- 2: Install 6 x 'C' size batteries (UM-2 or equivalent) while observing the correct polarities.

NOTE: There is an engraved diagram showing battery installation directions inside the battery compartment.

- 3: Replace the battery compartment cover.

Installation

Battery installation (cont)

 **NOTE:** The mains cable must be detached from the AC mains socket of the player for the batteries to power the unit.

Leaking batteries may damage the battery cabinet and the player as a whole, so they should be removed from the cabinet when becoming flat or when the player is not to be used with batteries for some time.

Mains operation


This unit is supplied with a DC mains cable.

- 1: To connect the power insert the mains cable figure eight plug into the rear of the unit (16).
- 2: Insert the UK plug into a household power socket and switch the power ON.

Power modes

Follow the below steps to power the unit off or enter standby mode.

- 1: To power the unit **OFF**, slide the **FUNCTION** switch (18) to the **OFF** position.
- 2: To enter **STANDBY** mode (**power saving**) press and hold the **PLAY/PAUSE/ECO PWR** button (11) for 5 seconds.
- 3: To wake the unit from **STANDBY** mode press the **PLAY/PAUSE/ECO PWR** button (11) once.

 **AUTO STANDBY** Due to new ECO regulation requirements this product incorporates a power saving feature.

When in CD mode or AUX mode, once audio playback has ceased and the unit has stood idle for approximately 20 minutes it will switch into a 'power-down' power saving mode.

THIS IS NOT A FAULT.

To wake the unit up, press the **PLAY/PAUSE/ECO PWR** button (11).

Volume control

- 1: To increase the volume level rotate the **VOLUME** control (2) clockwise.
- 2: To decrease the volume level rotate the **VOLUME** control (2) Anti-clockwise.

CD operation

Load a CD

- 1: Open the **CD** door by lifting the raised part of the lid (**front above the display**) upwards.
- 2: Load a **CD** onto the disc tray with the label facing upwards you.
- 3: Close the **CD** door.

Playing a CD

- 1: Wake the unit from **STANDBY** mode if required.
- 2: Slide the **FUNCTION** switch (18) to the **CD** position.
- 3: Follow the steps above to load a disc (**if not loaded**).
- 4: The player begins to read the disc immediately.
- 5: When the disc is successfully read the total number of tracks found on the disc will be displayed.
- 6: Press the **PLAY/PAUSE** button (11) once to begin playback. Press again to **PAUSE** the music playback, a dot flashes on the display to indicate the player is in Pause mode. Pressing the **PLAY/PAUSE** button (11) resumes playback.
- 7: Press the **STOP** button (12) to cease music playback. the display shows the total number of tracks again.

Skip & search tracks

- 1: Press the **SKIP** button (5) once during playback to skip to the next track. To skip to a specific track ahead, press this button several times until you reach the track number required.
- 2: Press the **PREVIOUS** button (7) once during playback to return to the beginning of the current track. Press the **PREVIOUS** button (7) twice repeatedly to skip to the previous track. To skip back to a specific track, press this button several times.
- 3: Hold the **SKIP** button (5) during playback to fast forward the current track.
- 4: Hold the **PREVIOUS** button (7) during playback to fast rewind the current track.

User instructions

Repeat & Random playback

Should you wish to play an entire disc in a random order or simply repeat a single track or entire disc, follow the below steps.

- 1: During playback of a **CD**, press the **REPEAT** button (6). After one press you will see a dot on the right of the display flash, to indicate the current track will repeat.
- 2: Press the **REPEAT** button (6) again and the dot on the right of the display will stop flashing. This indicates the entire disc will repeat.
- 3: Press the **REPEAT** button (6) once more, you will see the dot disappear from the display to indicate no **REPEAT** function is active.


Programmed playback

To program an alternative playback order of tracks follow the below steps.

- 1: Make sure the unit is not playing a disc.
- 2: Press the **PROGRAM** button (10) once. The program sequence "01" appears on the LED display & the **PROGRAM LED** indicator (9) flashes.
- 3: Select the first track to be programmed using either **SKIP** button (5) or **PREVIOUS** button (7).
- 4: Press the **PROGRAM** button (10) again to store and advance to the next programmed track. The program sequence indication changes to "02" momentarily waiting for your next input.
- 5: Repeat the steps above to program more tracks. A maximum of **20** tracks can be programmed.
- 6: Press the **PLAY/PAUSE** button (11) to begin the programmed playback in the preferred order.
- 7: You can press the **STOP** button (12) to terminate programmed playback.

Radio operation

- 1: Wake the unit from **STANDBY** mode if required.
- 2: Slide the **FUNCTION** switch (18) to the **RADIO/LINE IN** position.
- 3: Extend the antenna fully, and angle for best reception (you may need to adjust once tuned to a station).
- 4: Set the **RADIO BAND** switch (15) to either **FM** or **MW**.
- 5: Tune to the required station using the **TUNING DIAL** (14).

 **NOTE:** When receiving an FM broadcast, fully extend the telescopic antenna and angle it for the best reception.

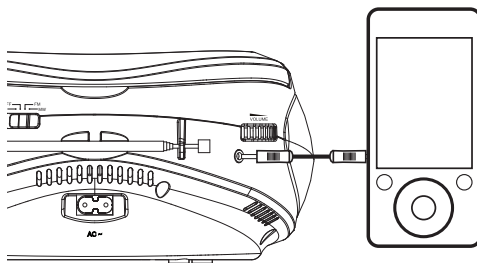
Radio operation (cont)

- 5: Adjust the volume to a comfortable listening level using the volume control (2).

Aux audio input

Connect an external audio source like an MP3 player using a 3.5mm audio cable (not supplied).


- 1: Connect one end of the cable to the **MP3** players headphone output and the other end to the **AUX LINE INPUT** socket (17) on the rear of the unit.



- 2: Wake the unit from **STANDBY** mode if required.
- 3: Set the **FUNCTION** switch (18) to the **RADIO/LINE IN** position.

NOTE: When a 3.5mm audio cable is connected to the **LINE-IN** socket, radio output will be muted until the cable is removed.

- 4: Press **PLAY** on the external audio source **EG: MP3** player.

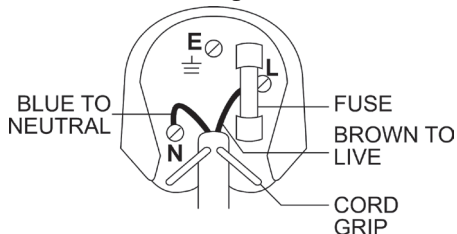
 **NOTE:** the volume output is effected by the volume level on the source **EG: MP3** player so make sure that is set to about 70-80% (not too loud to avoid distortion).

- 5: Adjust the **VOLUME** control on the unit to the required listening level.

User instructions

UK Mains plug information

For your convenience a mains plug with a fuse (3 Amp) has been fitted to this appliance. For your safety please observe the following information.



- The unit is designed to operate on AC mains supply 230 volts, 50 Hz.
- The wires in the mains lead are coloured in accordance with the following code:
BLUE - NEUTRAL
BROWN - LIVE

Under no circumstances should the Neutral or Live wires be connected to the 'E' (Earth) terminal.

Disc handling information

- Do not touch the playback side of the disc.
- Do not attach paper or tape to disc.



- Fingerprints and dust on the disc cause picture and sound deterioration. Wipe the disc from the centre outwards with a soft cloth. Always keep the disc clean.



- If you cannot wipe off the dust with a soft cloth, wipe the disc lightly with a slightly moistened soft cloth and finish with a dry cloth.
- Do not use any type of solvent such as thinner, benzene, commercially available cleaners or antistatic spray for vinyl. It may damage the disc.
- Do not store discs in a place subject to direct sunlight or near heat source.
- Do not store discs in a place subject to moisture and dust such as a bathroom or near a humidifier.
- Store discs vertically in a case, stacking or placing object on discs outside or their case may cause warping.

Technical specifications

Supply Voltage, Mains: 230-240V~50Hz
Max. Power Consumption: 12W
Speaker Power: 2 x 1W
FM: 88-108 MHz
MW: 540-1600 KHz
Net Weight: 1.28kg

Care & maintenance

After using your radio

- Set to Standby.
- Switch the unit off at the mains and unplug it if you are leaving it unattended for a long period (holidays etc).
- Avoid leaving batteries fitted if you leave the radio unattended for long periods. They may leak and damage the radio.

Care and cleaning

- All care and cleaning operations should be carried out with the unit unplugged from the mains power.
- Occasionally wipe the cabinet with a lint free duster. Never clean the unit with liquids or solvents.

User instructions

Troubleshooting

In the unlikely event of difficulties with your appliance please follow the trouble shooting guide below. If the problem persists, contact the retailer if the machine is still under guarantee.

Problem	Reason(s)	Solution(s)
No Power	Power cable not connected to wall socket Power socket is not switched on	Make sure the plug is connected Switch the power on
No Sound CD/AUX/RADIO No Sound from AUX input	Volume is too low AUX source volume is too low	Increase the volume Increase the output volume of the AUX source.
Sound is distorted Sound is distorted from AUX input	Volume is too high AUX source volume is too high	Reduce the volume Reduce the output volume of the AUX source.
Unable to Play	No disc in the tray Disc not loaded properly Disc is dirty	Insert a compatible disc Check the disc loaded Clean the disc
Static Sound	Poor reception	Re-locate the antenna (FM) or relocate the unit (MW)
Unit switches off after 20 minutes of inactivity	Auto standby mode in operation	This unit is designed to enter STANDBY mode automatically after 20 MINUTES of inactivity. Press the STANDBY button to wake the unit.

Disposal information



WEEE marking "Information for the consumer"

Disposal of your old product Your product is designed and manufactured with high quality materials and components, which can be recycled and reused. When this crossed out wheeled bin symbol is attached to a product it means the product is covered by the European Directive 2002/96/EC. Please make yourself aware of the local collection system for electrical and electronic products. Please act according to your local rules and do not dispose of your old products with your normal household waste. The correct disposal of your old product will help prevent potential negative consequences for the environment and human health.

Guarantee

ALBA

PRODUCT GUARANTEE

This product is guaranteed against manufacturing defects for a period of



Year

This product is guaranteed for twelve months from the date of original purchase.

Any defect that arises due to faulty materials or workmanship will either be replaced, refunded or repaired free of charge where possible during this period by the dealer from whom you purchased the unit.

The guarantee is subject to the following provisions:

- The guarantee does not cover accidental damage, misuse, cabinet parts, knobs or consumable items.
- The product must be correctly installed and operated in accordance with the instructions contained in this manual.
- It must be used solely for domestic purpose.
- The guarantee will be rendered invalid if the product is re-sold or has been damaged by inexpert repair.
- Specifications are subject to change without notice.
- The manufacturer disclaims any liability for the incidental or consequential damages.
- The guarantee is in addition to, and does not diminish your statutory or legal rights.

Guarantor: Argos Limited
489 - 499 Avebury Boulevard
Central Milton Keynes
MK9 2NW