

BUSH

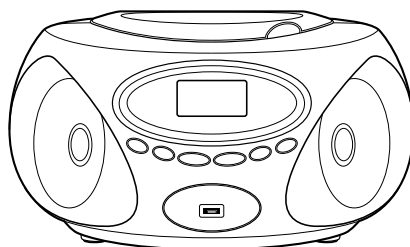
Instruction Manual

CBB1MP3



Table of contents

Safety Warnings	2
Accessories included	3
Overview of controls	3
General operation	4
Battery installation	4
Mains operation	4
Standby mode	4
Volume controls	4
Radio operation	5
Saving/recalling radio presets	5
CD/MP3CD operation	5
Loading a disc	5
Playing a disc	5
Skip & search for a specific point to play	6
Repeat playback	6
Programmed playback	6
Auxiliary in	6
Auxiliary in (cont)	7
USB operation	7
Disc handling	7
Care & maintenance	8
Troubleshooting	8
Technical specifications	9
Fitting a plug	9



Product Codes

CBB1MP3



Safety information

Important – Please read these instructions fully before installation

Safety Warnings

CAUTION: TO REDUCE THE RISK OF ELECTRIC SHOCK, DO NOT REMOVE ANY COVER. NO USER-SERVICEABLE PARTS INSIDE, REFER ANY SERVICING TO QUALIFIED SERVICE PERSONNEL.

- Please take the time to follow the instructions in this owner's guide carefully. It will help you set up and operate your system properly and enjoy all of its advanced features.
 - Please save this owner's guide for future reference.
 - The product label is located on the back of the product.
 - This product must be used indoors. It is neither designed nor tested for use outdoors, in recreation vehicles, or on boats.
 - Heed all warnings - on the product and in the owner's guide.
 - Do not use this apparatus near water or moisture.
 - Do not use this product near a bathtub, washbowl, kitchen sink, and laundry tub, in a wet basement, near a swimming pool, or anywhere else that water or moisture is present.
 - Only use attachments/accessories specified by the manufacturer.
 - Unplug this apparatus during lightning storms or when unused for long periods of time - to prevent damage to this product.
 - Refer all servicing to qualified service personnel
 - Servicing is required when the apparatus has been damaged in any way: such as liquid has been spilled or objects have fallen into the apparatus; the apparatus has been exposed to rain or moisture, does not operate normally, or has been dropped -
 - Do not attempt to service this product yourself.
 - Opening or removing covers may expose you to dangerous voltages or other hazards.
 - To prevent risk of fire or electric shock, avoid overloading wall outlets, extension cords, or integral convenience receptacles.
 - Use proper power sources - Plug the product into a proper power source, as described in the operating instructions or as marked on the product.
 - The mains plug is used as the disconnect device, the disconnect device shall remain readily accessible
 - Minimum distances around the apparatus for sufficient ventilation
- The ventilation should not be impeded by covering the ventilation openings with items such as newspapers, table cloths, curtains etc.
 - No naked flame sources, such as lighted candles should be placed on the apparatus.
 - Attention should be drawn to the environmental aspects of battery disposal
 - The use of apparatus in tropical and/or moderate climates.
 - Batteries shall not be exposed to excessive heat such as
 - sunshine, fire or the like.



This symbol means that this unit is double insulated. An earth connection is not required.

CAUTION : CLASS 1 LASER PRODUCT

Use of contents or adjustments of performance of procedures other than those specified Herein may result in hazardous radiation exposure.



LASER SAFETY

This unit employs a laser, only qualified service personnel should attempt repair.

DANGER: Invisible laser radiation when open and interlock failed or defeated avoid direct exposure to beam.

CAUTION: hazardous laser radiation when open and interlock defeated.



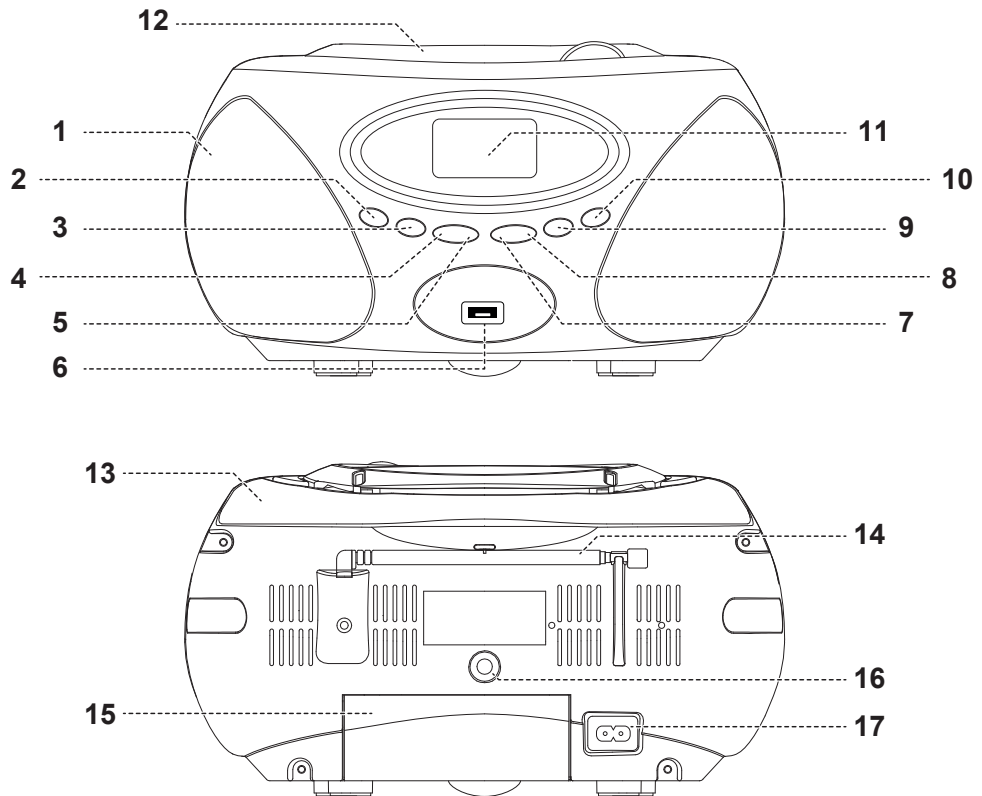
Functions & controls

Please familiarize yourself with the parts and accessories listed below

Accessories included

- 1 x CBB1MP3
- 1 x Mains cable
- 1 x Instruction manual

Overview of controls



- 1:** Speakers
- 2:** STANDBY/SOURCE button
- 3:** MODE/MEMORY/PROGRAM button
- 4:** VOLUME - button
- 5:** VOLUME + button
- 6:** USB input socket

- 7:** SKIP< /TUNE - button
- 8:** SKIP> /TUNE + button
- 9:** M+ /STOP button
- 10:** PLAY/PAUSE/ FM STEREO/ MONO button
- 11:** LCD display
- 12:** CD door

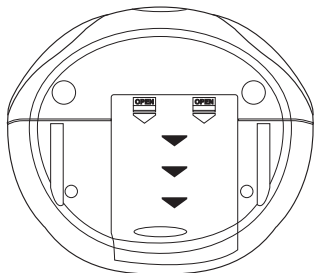
- 13:** Carry handle
- 14:** Telescopic antenna
- 15:** Battery compartment
- 16:** AUX-IN socket
- 17:** MAINS POWER socket

User instructions

General operation

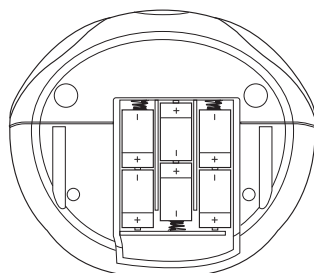
Battery installation

- 1: Press and slide the battery compartment cover carefully to remove.



- 2: Install 6 x 'C' size batteries (**UM-2 or equivalent**) while observing the correct polarities.

NOTE: There is an engraved diagram showing battery installation inside the battery compartment.



- 3: Replace the battery compartment cover.

NOTE: The mains cable must be detached from the DC mains socket of the player for the batteries to power the unit.

Leaking batteries may damage the battery cabinet and the player as a whole, so they should be removed from the cabinet when becoming flat or when the player is not to be used with batteries for some time.

*Batteries not included.

Mains operation

This unit is supplied with a mains cable.

- 1: To connect the power insert the figure 8 shaped end into the rear of the unit (**17**).
- 2: Insert the plug into a household power socket, and switch the power **ON**.

Standby mode

Using the standby mode will save power when the unit is not in use.

- 1: When the unit is switched **ON** for the first time the display will remain blank to indicate the unit is in **STANDBY** mode.
- 2: To wake the unit from the **STANDBY** mode, press the **STANDBY/SOURCE** button (**2**). The unit will wake and the display (**11**) will illuminate.
- 3: To enter the **STANDBY** mode press and hold the **STANDBY/SOURCE** button (**2**) for at least **2** seconds. The display will dim.

NOTE: This unit is designed to enter **STANDBY** mode automatically after 20 MINUTES of inactivity. Press the **STANDBY** button (**2**) to wake the unit.

Volume controls

- 1: To increase the volume level press the **VOL+** button (**5**) repeatedly, or press and hold for rapid advance.
- 2: To decrease the volume level press the **VOL-** button (**4**) repeatedly, or press and hold for rapid advance.

User instructions

Radio operation

- 1: Wake the unit from **STANDBY** mode if required.
- 2: Press the **STANDBY/SOURCE** button (2) repeatedly until you see '87.5' or another radio frequency on the display.



- 3: Extend the antenna fully, and angle for best reception (you may need to adjust once tuned to a station).
- 4: Tune to the required station using the **SKIP/TUN** buttons (7,8). Pressing either button once advances the frequency in 0.1MHz increments. Press and hold either button to search up or down the frequency range, until a station is located. When a station is found it will begin playback. You can stop the scan at any time, by pressing either **SKIP/TUN** button again.

NOTE: When receiving an FM broadcast, fully extend the telescopic antenna and angle it for the best reception.

- 5: Adjust the volume to a comfortable listening level using the volume controls.
- 7: To switch between **STEREO & MONO** radio modes press the **FM STEREO/MONO** button (10) repeatedly.

Saving/recalling radio presets

After tuning to a radio station you may wish to store the frequency to a preset location, so you can recall easily at a later date. There are 20 preset locations.

- 1: When tuned to the station you wish to store, press the **MODE/MEMORY/PROGRAM** button (3). You will see 'PXX' on the display (XX indicates the preset location).
- 2: Use the **SKIP/TUN** buttons (7,8) to cycle through the preset locations 1-20.
- 3: Once a preset location number has been selected, press the **MODE/MEMORY/PROGRAM** button (3) to store the current station to the selected preset location number.
- 4: To recall stations saved to a preset location, use the **M+/STOP** button (9) to cycle through the preset locations 1-20. When a preset number has been selected the station will begin to play after a second.

CD/MP3CD operation

- 1: Wake the unit from **STANDBY** mode if required.
- 2: Press the **STANDBY/SOURCE** button (2) repeatedly until you see 'Cd' appear on the display with a small 'CD' icon.



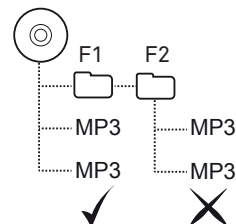
Loading a disc

- 1: Lift the **CD** door using the raised **OPEN** tab. You will see 'OP' on the display to indicate the door is open.
- 2: Load a disc onto the disc tray with the label side facing up.
- 3: Close the **CD** door.
- 4: When the disc is read the display will show the total number of tracks found on the disc (and folders in the case of MP3CD). If the disc is unrecognizable or faulty 'No' will appear on the display. Either re-load the disc or try another disc.

Playing a disc

- 1: Follow the previous steps to load a disc (if not already loaded).
- 2: Press the **PLAY/PAUSE** button (10) once to begin playback of the current disc. The '▶' icon appears on the display to indicate **PLAY** mode is active.
- 3: Press the **PLAY/PAUSE** button (10) once more to **PAUSE** the music playback. The track number & '▶' icon flashes on the display to indicate the player is in **PAUSE** mode. Pressing the **PLAY/PAUSE** button (10) again resumes playback.
- 4: Press the **M+/STOP** button (9) to cease music playback. The **LCD** shows the total number of tracks again.

NOTE: MP3 tracks can be stored inside a single folder or on the root of the disc. For example FOLDER1 can store MP3's but FOLDER2 inside FOLDER1 wont be readable. See diagram below.



User instructions

Skip & search for a specific point to play

- 1: Press the **SKIP/TUN** button (8) once during playback to skip to the next track. To skip to a specific track ahead, press this button several times until you reach the track number required.
- 2: Press the **<SKIP/TUN** button (7) once during playback to return to the beginning of the current track. Press the **<SKIP/TUN** button (7) twice repeatedly to skip to the previous track. To skip to a specific track, press this button several times.
- 3: Hold the **SKIP/TUN** button (8) during playback to fast forward the current track.
- 4: Hold the **<SKIP/TUN** button (7) during playback to fast rewind the current track.

Repeat playback

Should you wish to repeat a single track or entire disc, follow the below steps.

- 1: During playback of a **CD** or **PAUSE** mode, press the **MODE/MEMORY/PROGRAM** button (3). After one press you will see the '↺' icon flash on the top of the display, to indicate the current track will repeat.
- 2: **MP3CD ONLY:** Press the **MODE/MEMORY/PROGRAM** button (3) again and the '↺ FOLDER' icon will appear to indicate the entire **MP3CD** folder will repeat.

NOTE: All files in the root of the disc are classified as Folder 1.

- 3: Press the **MODE/MEMORY/PROGRAM** button (3) again and the '↺' icon will appear again but remain solid (**no flash**) to indicate the entire disc will repeat.
- 4: Pressing the **MODE/MEMORY/PROGRAM** button (3) once more will see the '↺' icon disappear, this indicates that all **REPEAT** functions have been cancelled.

Programmed playback

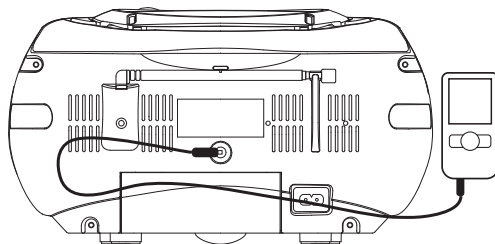
To program an alternative playback order of tracks follow the below steps.

- 1: Make sure the unit is in **STOP** mode.
- 2: Press the **MODE/MEMORY/PROGRAM** button (3) once. The 'P' icon appears in the top left corner of the display. You will also see 'PXX' appear on the display. The **XX** indicates the track number to be programmed.
- 3: Select the first track to be programmed using the **<SKIP/TUN** buttons (7,8).
- 4: Press the **MODE/MEMORY/PROGRAM** button (3) again to store and advance to the next programmed track. The playback order digit will increase each time to indicate which playback track is being programmed.
- 5: Repeat the steps above to program more tracks. A maximum of **20 tracks (100 MP3CD/USB)** can be programmed.
- 6: Press the **PLAY/PAUSE** button (10) to begin the programmed playback in the preferred order.
- 7: You may press the **M+/STOP** button (9) to terminate programmed playback. In program **STOP** mode, press the **M+/STOP** button again to clear the programmed sequence or press the **PLAY/PAUSE** button to begin the programmed playback again.

Auxiliary in

It is possible to connect an external audio source like an MP3 player using a 3.5mm audio cable (not supplied).

- 1: Connect one end of the cable to the **MP3** players headphone output and the other end to the **AUX** input (16) on the rear of the unit.



User instructions

Auxiliary in (cont)

- 2: Wake the unit from **STANDBY** mode if required.
- 3: Press the **STANDBY/SOURCE** button (2) repeatedly until you see **'AUX'** on the display.



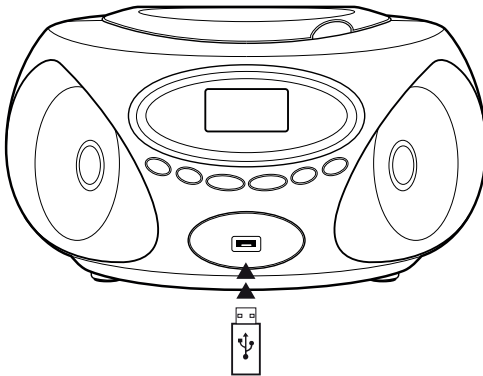
- 4: Press **PLAY** on the external audio source **EG:-MP3** player.

NOTE: the volume output is effected by the volume level on the source **EG: MP3** player so make sure that is set to about 70-80% (not too loud to avoid distortion).

- 5: Adjust the **VOLUME** controls on the unit to the required listening level.

USB operation

- 1: Insert a **USB** flash drive into the **USB** port (6) as shown below.



- 2: Press the **STANDBY/SOURCE** button (2) repeatedly until you see **'USB'** on the display.



- 3: Audio tracks are detected and the total number of folders and tracks on the device are displayed for 1-2 seconds before playback of track 1 begins.
- 4: Once loaded the playback controls for **USB** operation are identical to **CD** operation. Please see **Playing a disc, Skip & search for a specific point to play, Repeat playback & Programmed playback** on pages 5-6.

Disc handling

- Do not touch the playback side of the disc.
- Do not attach paper or tape to disc.



Fingerprints and dust on the disc cause picture and sound deterioration. Wipe the disc from the centre outwards with a soft cloth. Always keep the disc clean.



If you cannot wipe off the dust with a soft cloth, wipe the disc lightly with a slightly moistened soft cloth and finish with a dry cloth.

Do not use any type of solvent such as thinner, benzene, commercially available cleaners or antistatic spray for vinyl. It may damage the disc.


Do not store discs in a place subject to direct sunlight or near heat source.

Do not store discs in a place subject to moisture and dust such as a bathroom or near a humidifier.

Store discs vertically in a case, stacking or placing object on discs outside or their case may cause warping.

User instructions

Care & maintenance

 **Important:** Always unplug the appliance from the power socket during cleaning and maintenance.

Never use any sharp instruments or abrasive substances, soap, household cleaner, detergent or wax polish for cleaning.

Clean the external surfaces with a damp soft cloth only. Never use abrasive products or solvents as it may damage the appliance.

Troubleshooting

In the unlikely event of difficulties with your appliance please follow the trouble shooting guide below. If the problem persists, visit the technical support website: www.argos-support.co.uk

Problem	Reason(s)	Solution(s)
No Power	<ul style="list-style-type: none">• Power cable not connected to wall socket• Power socket is not switched on	<ul style="list-style-type: none">• Make sure the plug is connected• Switch the power on
No Sound CD/AUX/RADIO/USB No Sound from AUX input	<ul style="list-style-type: none">• Volume is too low• AUX source volume is too low	<ul style="list-style-type: none">• Increase the volume• Increase the output volume of the AUX source.
Sound is distorted Sound is distorted from AUX input	<ul style="list-style-type: none">• Volume is too high• AUX source volume is too high	<ul style="list-style-type: none">• Reduce the volume• Reduce the output volume of the AUX source.
Unable to Play	<ul style="list-style-type: none">• No disc in the tray• Disc not loaded properly• Disc is dirty	<ul style="list-style-type: none">• Insert a compatible disc• Check the disc loaded• Clean the disc
Static Sound	<ul style="list-style-type: none">• Poor reception	<ul style="list-style-type: none">• Re-locate the antenna (FM)
Unit switches off after 20 minutes of inactivity	<ul style="list-style-type: none">• Auto standby mode in operation	<ul style="list-style-type: none">• This unit is designed to enter STANDBY mode automatically after 20 MINUTES of inactivity. Press the STANDBY button to wake the unit.

We apologise for any inconvenience caused by any minor inconsistencies in these instructions, which may occur as a result of product improvements and development.



This appliance complies with the following EEC directives: 2006/95/EEC Low voltage directive / 2004/108/EEC EMC directive

Disposal information



The symbol on the product or its packaging indicates that this product may not be treated as household waste. Instead it should be handed over to the applicable collection point for the recycling of electrical and electronic equipment. By ensuring this product is disposed of correctly, you will help prevent potential negative consequences for the environment and human health, which could otherwise be caused by inappropriate waste handling of this product. For more detailed information about recycling this product, please contact your local council office, your household waste disposal service or the shop where the product was purchased.

User instructions

Technical specifications

General	
Power	<ul style="list-style-type: none">AC: 230-240V ~ 50HzDC: 9V UM-2/"C" x 6pcs
Power Consumption	<ul style="list-style-type: none">AC: 10 Watts
Dimensions	<ul style="list-style-type: none">Approx. 250mm(L) x 220mm(W) x 135mm(H)
AUX In	<ul style="list-style-type: none">3.5mm stereo socket
Tuner	
FM	<ul style="list-style-type: none">87.5 - 108 MHz
CD Player	
Playback system	<ul style="list-style-type: none">Compact Disc Digital Audio System
DAC	<ul style="list-style-type: none">1 Bit DA converter with 8 x over sampling.
Frequency response	<ul style="list-style-type: none">100Hz - 7KHz
S/N ratio	<ul style="list-style-type: none">≥45dB
Dynamic range	<ul style="list-style-type: none">60dB
Audio	
Output Power	<ul style="list-style-type: none">1.2W x 2 (RMS)
Speaker impedance	<ul style="list-style-type: none">8 ohms
Disc Compatibility	
Disc Type	<ul style="list-style-type: none">CD-DA/CD-R/CD-RW
Size	<ul style="list-style-type: none">12cm & 8cm

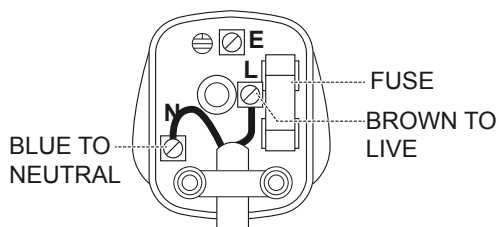
Fitting a plug

For your convenience a mains plug with a fuse (3 Amp) has been fitted to this appliance.
For your safety please observe the following information.

- The unit is designed to operate on AC mains supply 230 volts, 50 Hz.
- The wires in the mains lead are coloured in accordance with the following code:

BLUE - NEUTRAL
BROWN - LIVE

- Under no circumstances should Neutral or Live wires be connected to the 'E' (Earth) terminal.



Guarantee

BUSH

PRODUCT GUARANTEE

This product is guaranteed against manufacturing defects for a period of



Year

This product is guaranteed for twelve months from the date of original purchase.

Any defect that arises due to faulty materials or workmanship will either be replaced, refunded or repaired free of charge where possible during this period by the dealer from whom you purchased the unit.

The guarantee is subject to the following provisions:

- The guarantee does not cover accidental damage, misuse, cabinet parts, knobs or consumable items.
- The product must be correctly installed and operated in accordance with the instructions contained in this manual.
- It must be used solely for domestic purpose.
- The guarantee will be rendered invalid if the product is re-sold or has been damaged by inexpert repair.
- Specifications are subject to change without notice.
- The manufacturer disclaims any liability for the incidental or consequential damages.
- The guarantee is in addition to, and does not diminish your statutory or legal rights.

Guarantor: Argos Limited
489 - 499 Avebury Boulevard
Central Milton Keynes
MK9 2NW