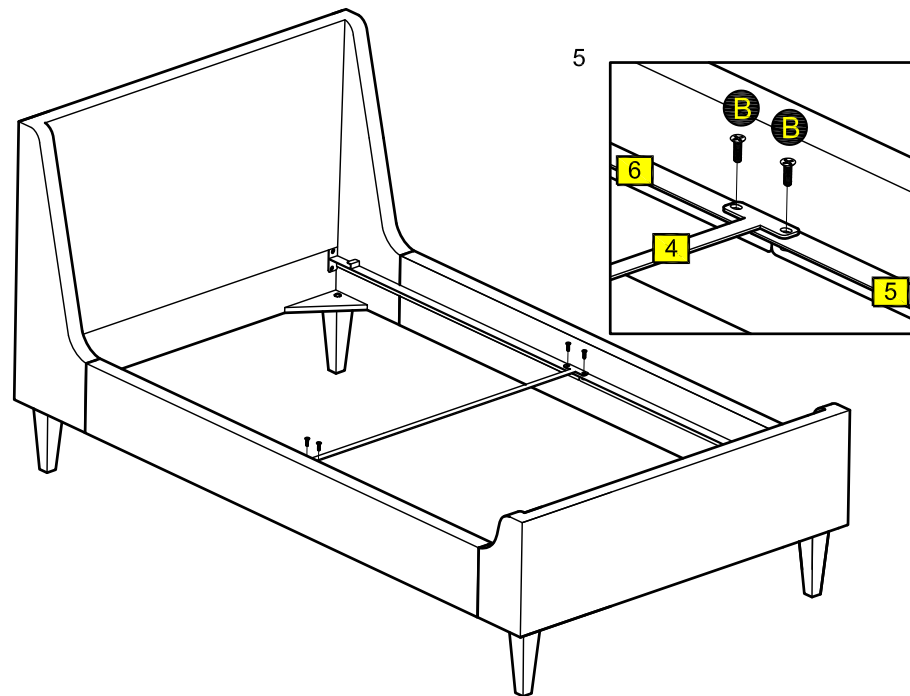


# Assembly Instructions

## Step 6

### Attaching support bar

Fix the Central support bar  
4 the Metal side rails 5 and  
6 with Bolts B.



Now fully tighten all bolts.

## Step 7

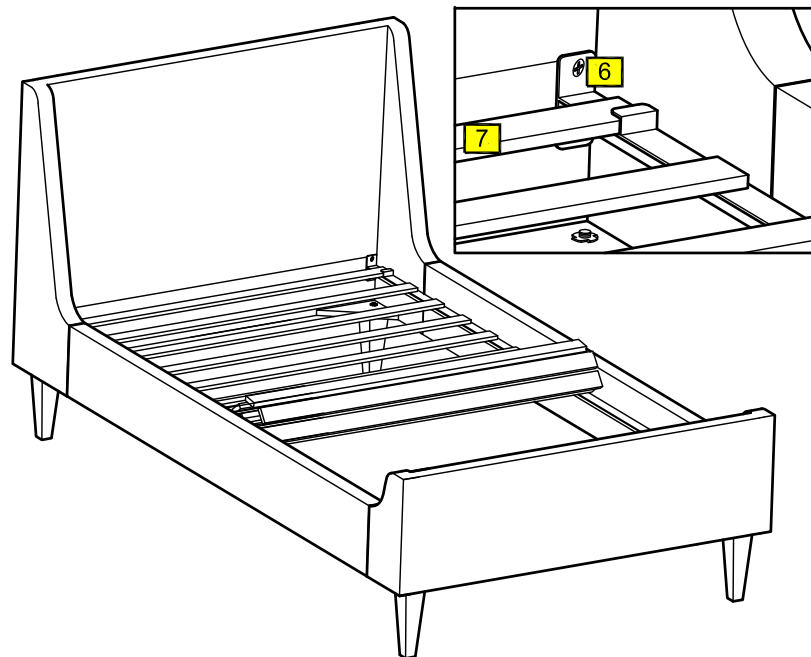
### Attaching slats

Two people are needed here.

Roll the slats over the metal side rails, then place the end slat after the metal block attached to the Metal side rails 6 and 5.

Slats to be rolled out with staples on the underside.

Assembly is now complete.

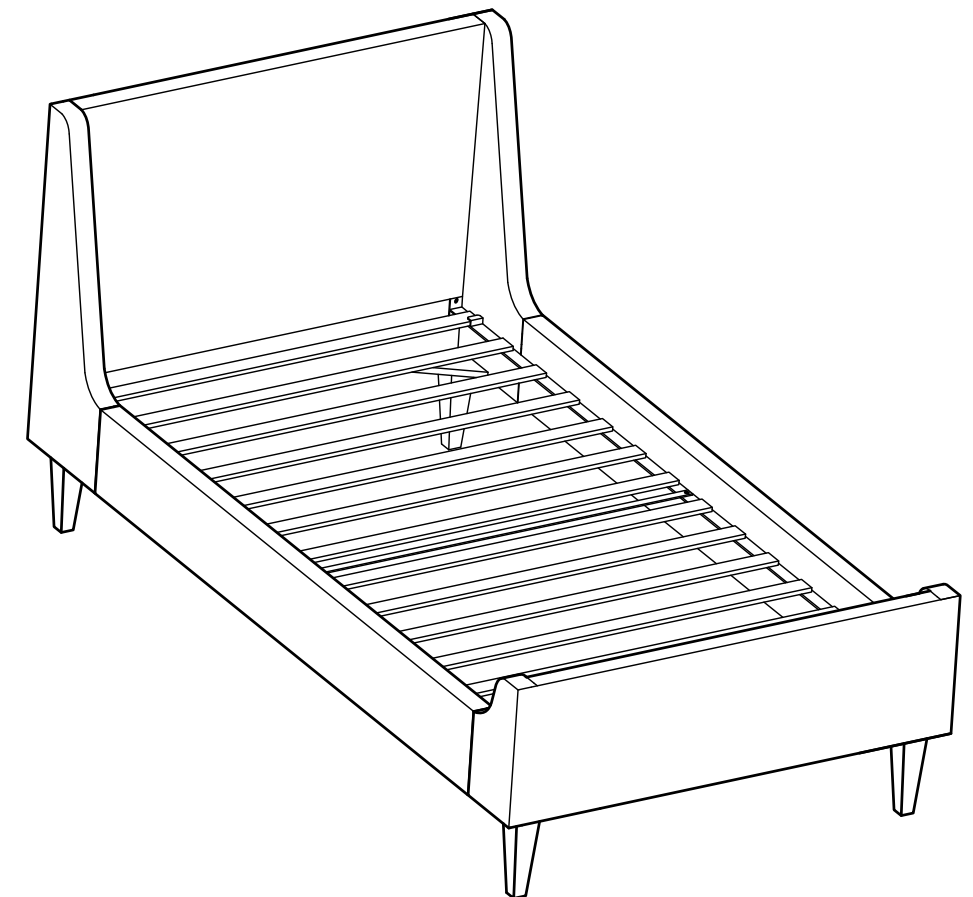


If you need help or have damaged or missing parts, call the **Customer Helpline: Argos = 0345 640 3030**

# ODETTE GREY 3FT

Assembly Instructions - Please keep for future reference

Cat.no 505 / 9939



### Dimension

Width - 102cm  
Length - 203cm  
Height - 101cm

**Important - Please read these instructions fully before starting assembly**

If you need help or have damaged or missing parts, call the **Customer Helpline: Argos = 0345 640 3030**



## Safety and Care Advice

### Important - Please read these instructions fully before starting assembly

- Check you have all the components and tools listed on pages 2 and 3.
- Remove all fittings from the plastic bags and separate them into their groups.
- Keep children and animals away from the work area, small parts could choke if swallowed.
- Make sure you have enough space to layout the parts before starting.
- Do not stand or put weight on the product, this could cause damage.
- Assemble the item as close to its final position (in the same room) as possible.
- Assemble on a soft level surface to avoid damaging the unit or your floor.
- Parts of the assembly will be easier with 2 people.



We do not recommend the use of power drill/drivers for inserting bolts as this could damage the unit. Only use hand screwdrivers.

- Dispose of all packaging carefully and responsibly.
- Do not tighten all bolts until bed is fully assembled.

### Care and maintenance

- Only clean using a damp cloth and mild detergent, do not use bleach or abrasive cleaners.
- From time to time check that there are no loose bolts on this unit.
- This product should not be discarded with household waste. Take to your local authority waste disposal centre.

### Handy Hints

- Assemble all parts and bolts loosely during assembly, only once the product is complete should you fully tighten the bolts.
- Regularly check and ensure that all bolts and fittings are tightened properly.

**Note:** if required the next page can be cut out and used as reference throughout the assembly. Keep this page with these instructions for future reference.

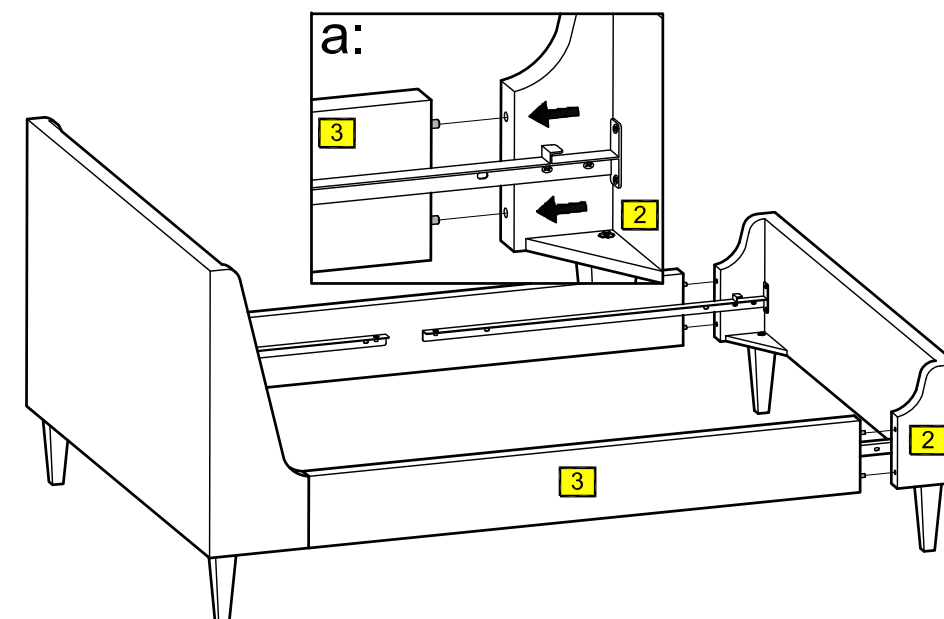
## Assembly Instructions

### Step 5

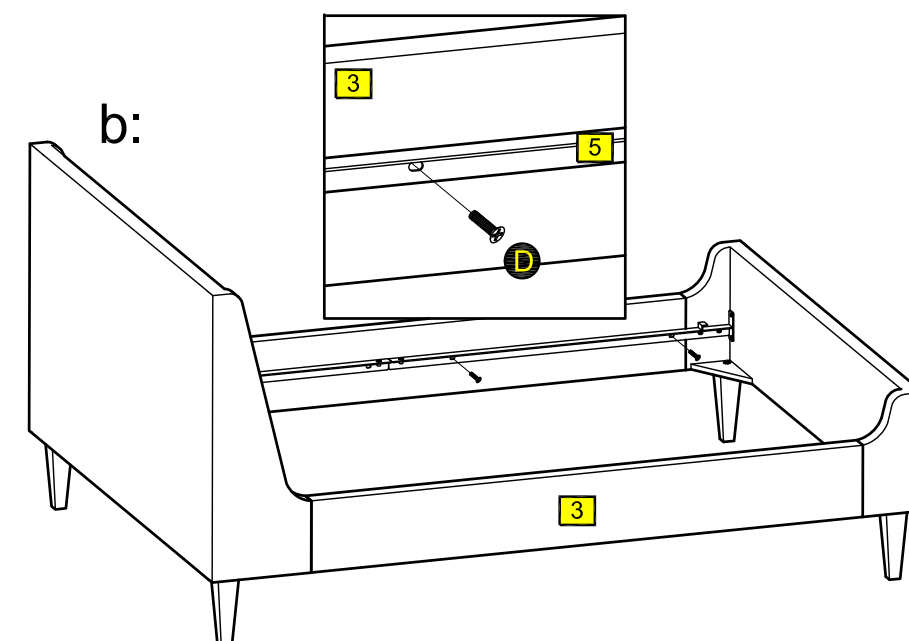
#### Attaching footboard

Two people are needed here.

**a:** Connect the Footboard **2** to the Side rails **3** as seen in the picture.



**b:** Fix the Side rails **3** to the Metal front side rails **5** with Bolts **D**.


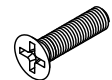
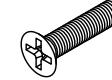
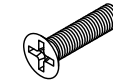
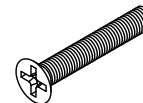


If you need help or have damaged or missing parts, call the **Customer Helpline: Argos = 0345 640 3030**

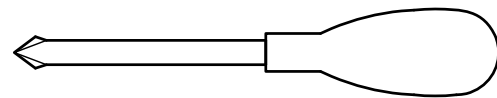
# Components - Fittings

Please check you have all the fittings listed below

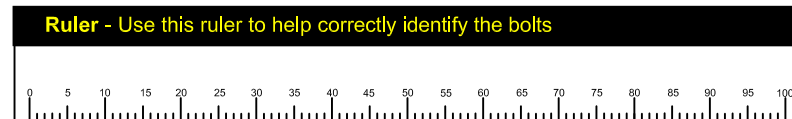
**Note:** the quantities below are the correct amount to complete the assembly. In some cases more fittings may be supplied than are required.

<p><b>A</b></p>  <p>Leg x 4</p>	<p><b>B</b></p>  <p>M6x20 mm Bolt x 4</p>	<p><b>C</b></p>  <p>M6x35 mm Bolt x 4</p>
<p><b>D</b></p>  <p>M6x25 mm Bolt x 16</p>	<p><b>E</b></p>  <p>M6x55 mm Bolt x 4</p>	

## Tools required



Screwdriver (Not supplied)

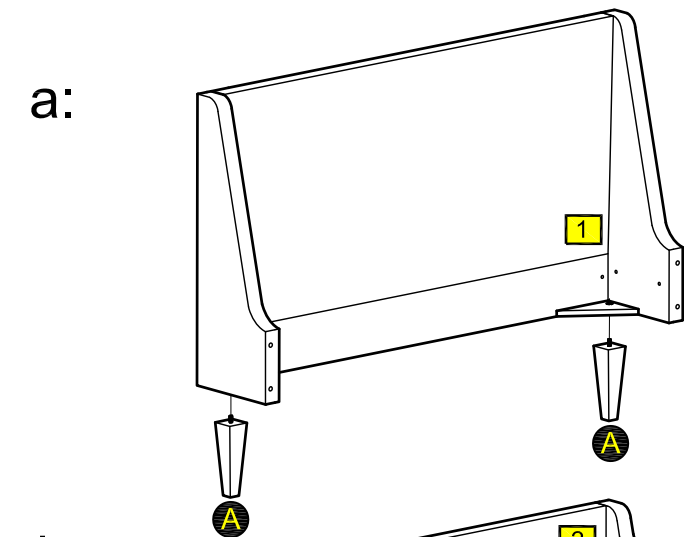


# Assembly Instructions

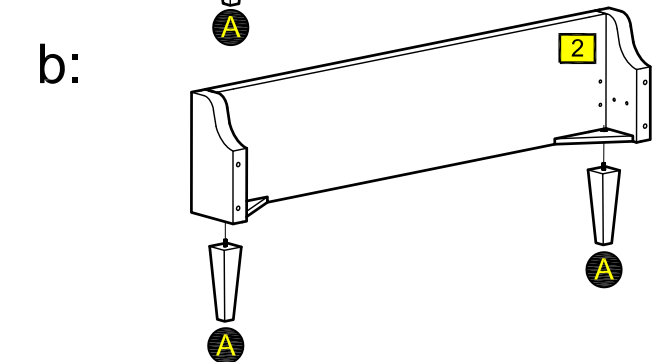
## Step 1

### Attaching legs

**a:** Insert Legs **A** into Headboard **1** and secure tightly in a clockwise direction.



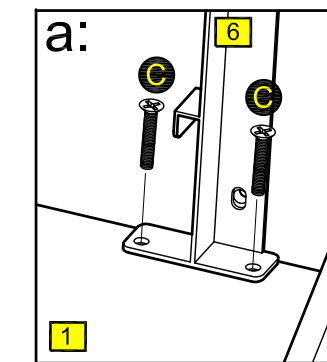
**b:** Insert Legs **A** into Footboard **2** and secure tightly in a clockwise direction.



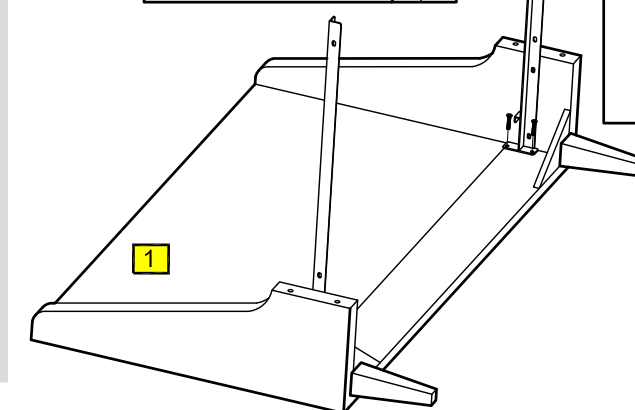
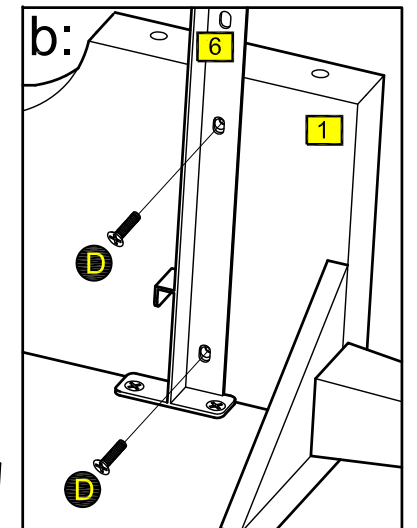
## Step 2

### Assembling metal side rails

**a:** Fix the Metal back side rails **6** to the Headboard **1** with Bolts **C**.



**b:** Fix the Metal back side rails **6** to the Headboard **1** with Bolts **D**.



**Note:** Parts of the assembly will be easier with 2 people.

If you need help or have damaged or missing parts, call the **Customer Helpline: Argos = 0345 640 3030**

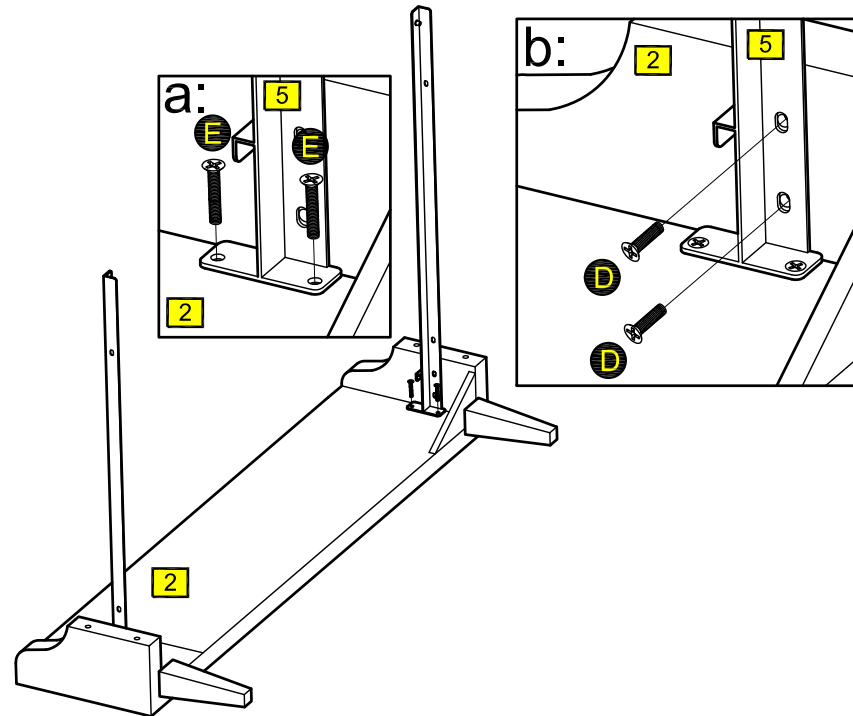
# Assembly Instructions

## Step 3

### Assembling metal side rails

**a:** Fix the Metal front side rails **5** to the Footboard **2** with Bolts **E**.

**b:** Fix the Metal front side rails **5** to the Footboard **2** with Bolts **D**.



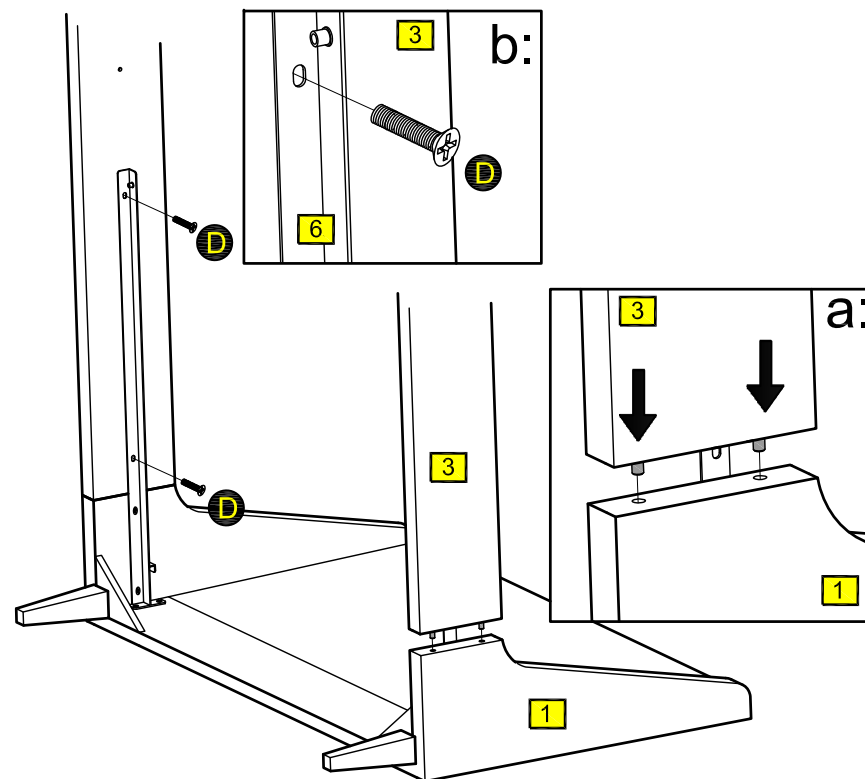
## Step 4

### Attaching side rails

**a:** Connect the Side rails **3** to the Headboard **1** as seen in the picture.

**b:** Fix the Side rails **3** to the Metal back side rails **6** with Bolts **D**.

**Note:** Do not fully tighten bolts.

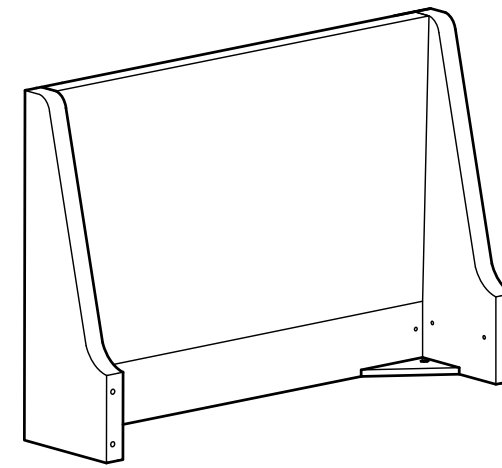


If you need help or have damaged or missing parts, call the **Customer Helpline: Argos = 0345 640 3030**

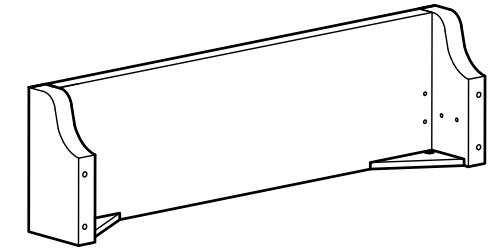
# Components - Parts

If you have damaged or missing components, call the **Customer Helpline: Argos = 0345 640 3030**

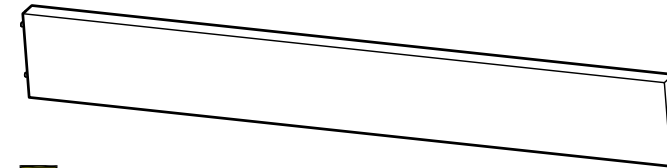
Please check you have all the parts listed below



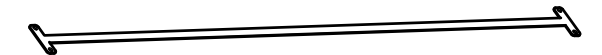
**1** Headboard (102x81cm)



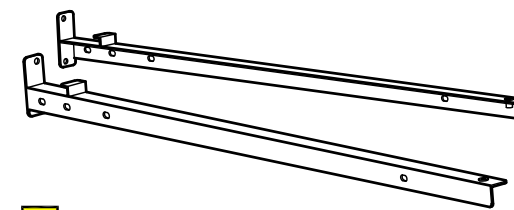
**2** Footboard (102x34cm)



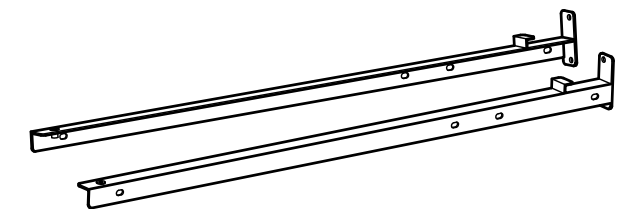
**3** Side rail x 2 (160x21cm)



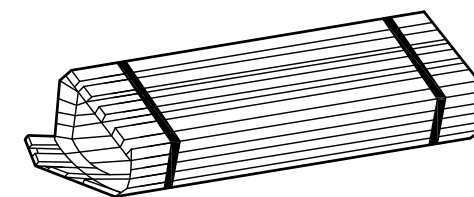
**4** Central support bar (90x8cm)



**5** Metal front side rail (97x8cm)



**6** Metal back side rail (97x8cm)



**7** Slats (90.5x4.3cm)

