



# CARPET WASHER

Model # DDW01-E01



1·2·3...

## USER GUIDE



**LET'S GO.™**

# **WARNING**

## **BASIC SAFETY PRECAUTIONS**

---

- This carpet washer is intended for household use only and NOT for commercial or industrial use.
- Only use the carpet washer indoors and keep the area you're cleaning well lit.
- Keep fingers, hair and loose clothing from moving parts and openings whilst using the carpet washer.
- This carpet washer is NOT to be used by children under eight years or persons with reduced physical, sensory or mental capabilities, unless they have been given instructions on how to use the machine or are supervised during use.
- Any cleaning or maintenance of your carpet washer should not be made by children without supervision and ensure they don't play with the carpet washer.
- Before using your carpet washer test your carpets/rugs/upholstery for colourfastness and pile distortion.
- Only Dirt Devil recommended tools and solutions should be used with this carpet washer. Using other solutions may invalidate the guarantee.
- This carpet washer is fitted with a constantly rotating brushbar. To avoid damage to your carpet, do not leave the machine switched on whilst in a stationary position.

## **DON'TS**

---

- Don't leave the carpet washer plugged in when unattended.
- Don't use this carpet washer if it has been dropped, damaged or left outdoors.
- Don't run over the power cord or use carpet washer if the power cord or plug is damaged. Please contact our Customer Care Line on: 0330 026 2626 (Mon-Fri 09:00-5:00).
- Don't use your carpet washer to pick up any flammable or combustible materials (lighter fluid, petrol, kerosene etc.) or use the carpet washer in an area with explosive vapours or liquid.
- Don't handle the plug or use the carpet washer with wet hands.
- Don't carry the carpet washer while it's switched on.
- Don't pull or carry this carpet washer by the power cord.
- Don't use the power cord as a handle, pull the power cord around corners, sharp edges or close a door over the Power cord.
- Don't unplug carpet washer by pulling on the power cord.
- Don't attempt to remove blockages with sharp objects as this may cause damage to your carpet washer.





# WARNING



## DON'TS CONTINUED...

---

- Don't use your carpet washer to pick up hot coals, cigarette butts, matches or smoking hot burning items or use in an area where there may be harmful fluids (chlorine, bleach, and ammonia drain cleaner).
- Don't over saturate your carpet.
- Don't use the carpet washer with incorrect voltage as this may result in damage or injury to the user. The correct voltage is listed on the ratings label.

## DO'S

---

- Check with the manufacturer of your flooring prior to using the carpet washer.
- The clean water tank should only be filled with warm water (max 40°C). Filling the clean water tank with hot or boiling water may damage your machine and invalidate your guarantee.
- Store your carpet washer in a cool, dry area. Before storing your carpet washer please ensure all water solutions tanks and filters are thoroughly clean and dry.
- Always vacuum your carpets thoroughly before using your carpet washer.
- Always unplug the carpet washer before carrying out any maintenance and before connecting or disconnecting the hose/accessories.
- Turn off all controls on the carpet washer before disconnecting or connecting the power cord, after use always wrap the power cord around the cord clips provided.
- Always replace the fuse in the plug with a 13amp fuse. Always protect the power cable from heated surfaces or near open flames.
- Always keep the power cord away from the brushes whilst using your carpet washer.
- Use only CE approved 13amp extension cords, non-approved extension cords may overheat. Care should be taken to arrange the extension cord as it can be a trip hazard.
- Take extra care when cleaning on the stairs.
- Always use the carpet washer with all water/solution tanks and filters in place.
- Keep all openings clear and free from debris as this may affect the airflow/suction.
- Always use the carpet washer in an upright position. To prevent motor damage from dirty water, never hold the carpet washer upside down or lay on its side.

**PLEASE KEEP INSTRUCTIONS FOR FURTHER USE.**



---

**HI. WELCOME.**

**Congrats on purchasing your new Dirt Devil® Carpet Washer. Inside, you'll find everything you want to know from the quick start guide to how to.**

**So what are you waiting for? LET'S GO.™**



## **PRODUCT REGISTRATION**

### **Warranty Registration**

**Be sure to register your product online at [www.dirtdevil.co.uk](http://www.dirtdevil.co.uk).**

Hint: Attach your sales receipt to this user guide. Verification of date of purchase may be required for warranty service of your Dirt Devil® product.

For quick reference, please record your product information below.

Model #: \_\_\_\_\_

Serial number: \_\_\_\_\_

(Serial number located on the machine's rating label on back or bottom of product)

---

## TABLE OF CONTENTS



Preparing the Carpet



**1·2·3...**

Quick Start Assembly

How to

Remove and Replace Clean Water Solution Tank

Empty the Dirty Water Tank

Replace Dirty Water Tank

Remove the Brushbar

Replace the Belt



Trouble Shooting



Limited Warranty

# PREPARING THE CARPET

---

1. Vacuum carpet thoroughly with a Dirt Devil® cleaner.
2. Place plastic or foil under and around the legs of furniture until the carpet has completely dried.

## HELPFUL HINTS FOR CLEANING CARPET

- Plan your route so you don't walk over previously cleaned areas.
- Additional applications may be needed for heavily soiled areas.
- Stay off of the carpet until it is dry.
- Do not oversaturate your carpet with cleaning solution.
- Be sure to rinse carpet thoroughly with water.
- Wipe cleaning solution from wood to prevent damage.



## CAUTION

Do not use the carpet cleaner as a dry vacuum.



## CAUTION

Do not store the carpet cleaner in garage or area where unit could freeze.

## AFTER CLEANING

- Allow carpet to dry completely. Try not to walk on the carpet until it is dry.
- If you need to walk on the carpet, place white towels on the areas you want to walk.
- If the carpet is not dry and the furniture must be placed back in the room, use plastic or foil under the furniture to prevent staining the carpet.
- Thoroughly clean the dirty water tank with warm water (max 40°C).



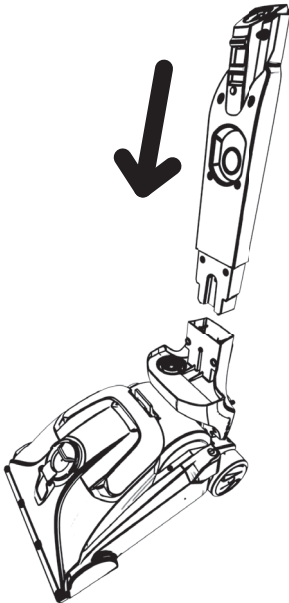
**NOTE:** Do not transport the carpet cleaner with either the Clean Water Solution Tank or Dirty Water Tank full.

# QUICK START

---

## CHECK FOR COLOUR FASTNESS

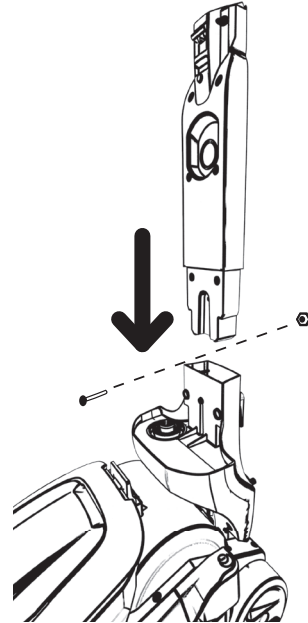
Before cleaning carpet, test for colour fastness. Dampen a white cloth with diluted solution. Gently rub the cloth over the a hidden area and check each colour for colour bleeding. If the cloth remains clean, it should be safe to clean the carpet.



1

---

**STAND BASE IN UPRIGHT POSITION AND SLIDE THE BACK PANEL INTO THE BASE.**



2

---

**SCREW IT TOGETHER.**

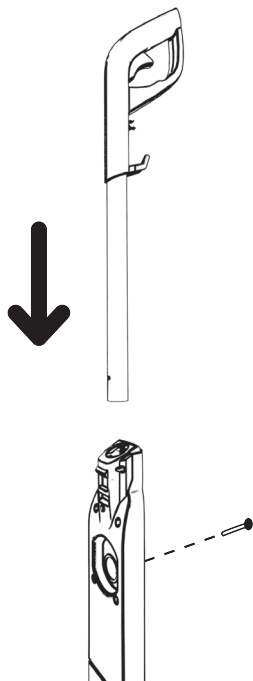


**⚠ CAUTION**

To reduce the risk of fire, electric shock, or injury: ensure the power cord is out of the way before attaching the upper handle.

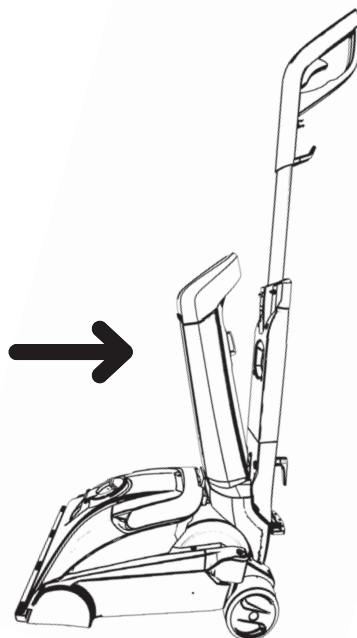
**⚠ CAUTION**

To reduce the risk of damage: Do not use this extractor on hard floors. Using this machine on hard floors may scratch or damage your floors.



**3**

**INSERT THE HANDLE INTO THE BODY. INSERT THE SCREW AND TIGHTEN.**

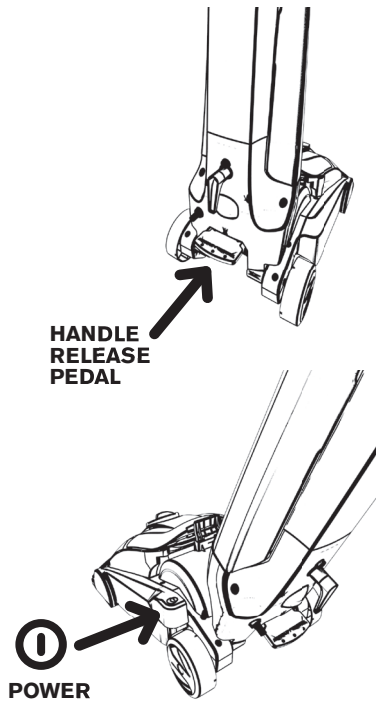


**4**

**FILL WATER SOLUTION TANK. TIP THE CLEAN WATER SOLUTION TANK IN LIKE THIS. IT WILL CLICK.**

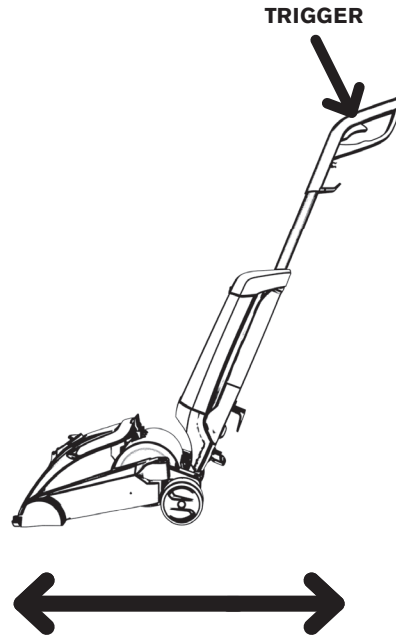
## CAUTION

This carpet washer is fitted with a constantly rotating brushbar. To avoid damage to your flooring, do not leave the machine switch on whilst in a stationary position.



# 5

**PLUG THE UNIT INTO MAINS. PRESS THE ON/OFF BUTTON TO SWITCH ON. PRESS THE HANDLE RELEASE PEDAL AND PULL HANDLE BACKWARDS.**

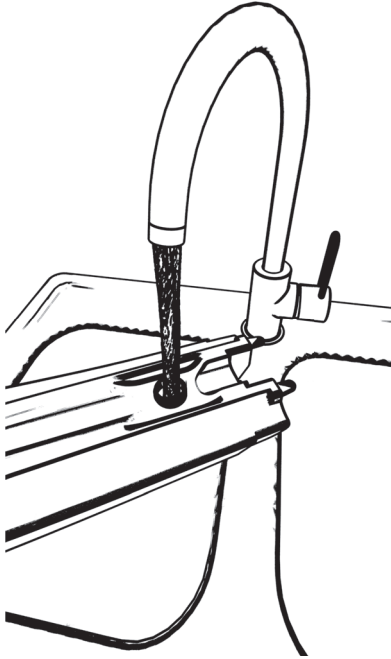


# 6

**SQUEEZE TRIGGER TO RELEASE SOLUTION AND WATER MIX WHILE MOVING FORWARD. THEN RELEASE THE TRIGGER AND SLOWLY PULL THE CARPET WATER BACK TO REMOVE DIRTY WATER AND SOLUTION.**

**⚠ CAUTION**

Never leave unit unattended with power on. Turn OFF when emptying and filling tank. Do NOT oversaturate the carpet. If the sound of the motor changes to a high pitch, this indicates the dirty water tank is full and must be emptied.



**YOUR  
CARPET  
IS FRESH  
AND CLEAN!**

**LET'S GO.™**

**7**

---

**EMPTY CLEAN WATER SOLUTION TANK AND REFILL WITH CLEAN WATER. REPEAT STEP 6 WITH JUST CLEAN WATER FOR RINSING. EMPTY DIRTY WATER TANK WHEN FULL.**

**NEED HELP?**

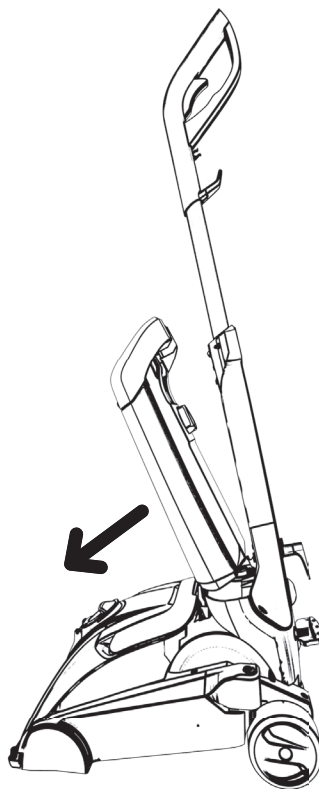
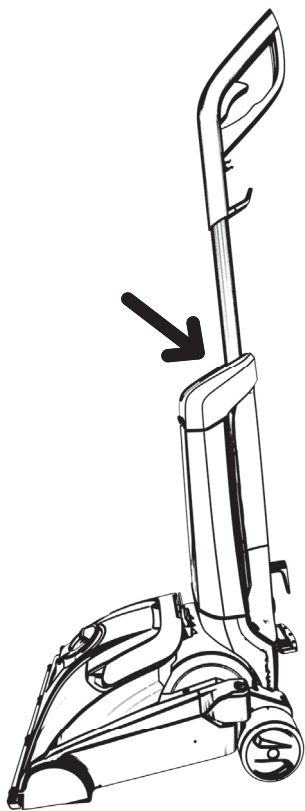
---

Go to [www.dirtdevil.co.uk](http://www.dirtdevil.co.uk) or contact our Customer Care Line on 0330 026 2626 (Mon-Fri 9:00am to 5:00pm).

# HOW TO

## REMOVE AND REPLACE CLEAN WATER SOLUTION TANK

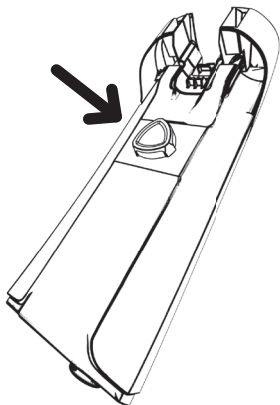
1. Press clean water tank release button.
2. Pull to remove.



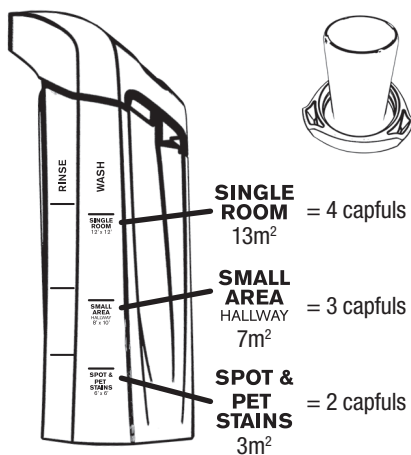
## ⚠ CAUTION

To reduce the risk of fire and electric shock due to internal component damage, use only Dirt Devil brand cleaning fluid intended for use with this appliance.

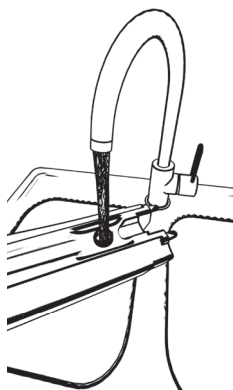
3. Unscrew measuring cap from the back.



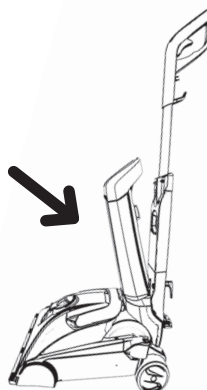
4. Add up to 4 capfuls of Dirt Devil Solution into the Water Solution Tank.



5. Fill remaining Clean Water Solution Tank with warm water (max 40°C) to desired fill line. Tightly screw cap back on.



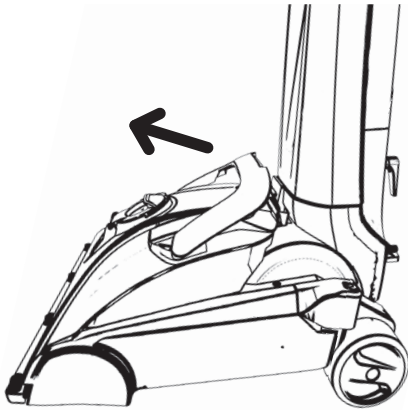
6. To re-fit, tilt clean water/solution tank and line the bottom up to carpet washer. Push the top back until it clicks into place.



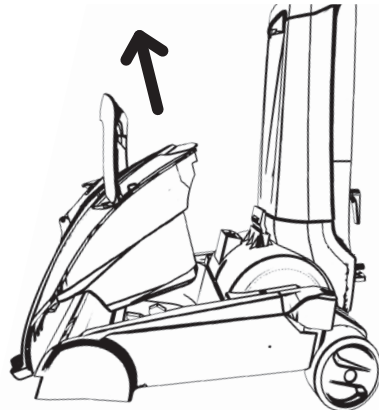
# HOW TO

## EMPTY THE DIRTY WATER TANK

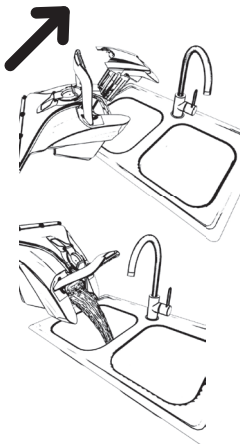
1. Pull the latch to release.



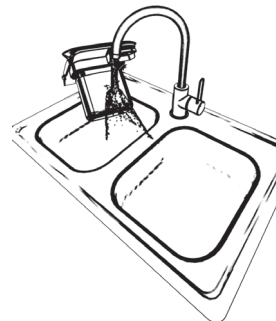
2. Hold the handle and pull tank up and out.



3. Lift to remove the dirty water tank lid. Empty the dirty water over the sink and rinse under water.



4. Rinse the tank and filter with warm water (max 40°C). Wipe and let dry fully before storing to prevent mildew. Replace the dirty water tank lid.



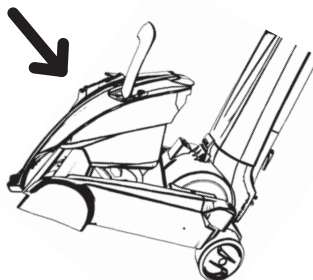
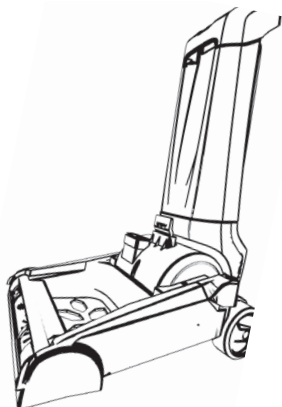


## IMPORTANT

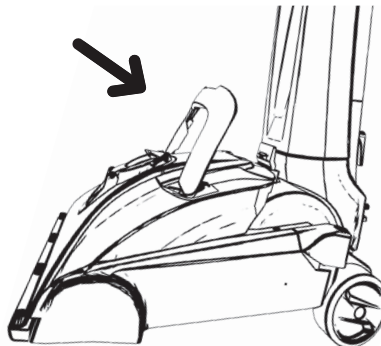
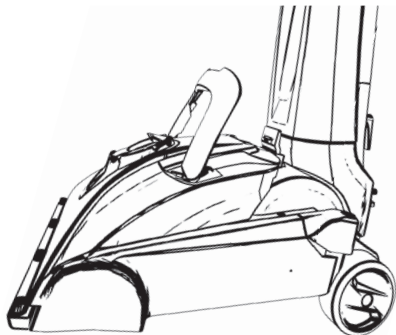
If you hear a noticeable change in the pitch of the cleaner, this indicates a need to empty the dirty water tank.

### PLACE DIRTY WATER TANK IN BASE OF CLEANER

1. Place carpet cleaner on a flat surface.
2. Tilt carpet washer backwards and line up tabs under nozzle with front of base on carpet washer.



3. The nozzle should be flush with the base. If it's not, this will result in poor water pickup.
4. Now place the rear of the tank into the base of the cleaner. Push handle down until it clicks.



# HOW TO

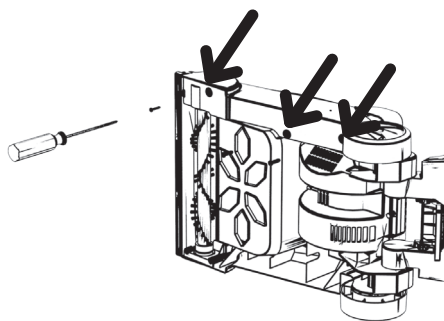
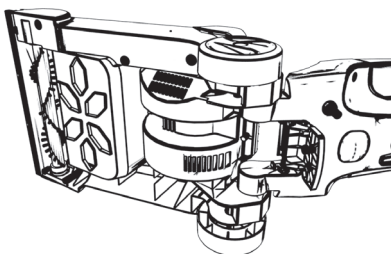
## ⚠ CAUTION

To reduce the risk of injury from moving parts, unplug cleaner before servicing. Rotate brushroll manually to make sure belt is not twisted or pinched.

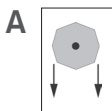
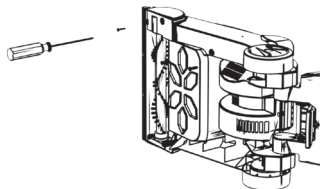
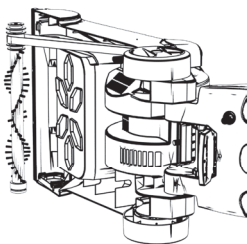
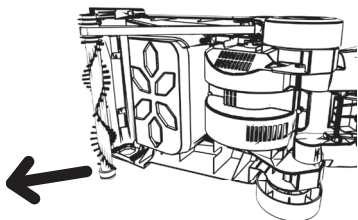
## REMOVE THE BRUSHBAR

Note: Be sure to switch off the unit, unplug & remove the clean & dirty water tanks before servicing.

1. Flip your carpet washer on its side like this.
2. Use a cross-head screwdriver to remove the 3 screws here. Now pull cover off.



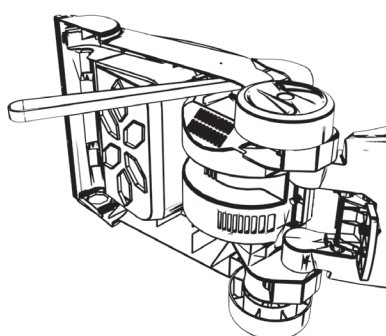
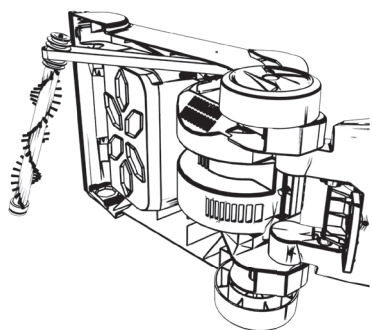
3. Keeping tension on the belt, use two hands to lift the brushbar up and out.
4. Line up brushbar with base, push into place. Make sure the brushbar ends are in the correct orientation (A).
5. Replace belt cover and secure with the three screws.



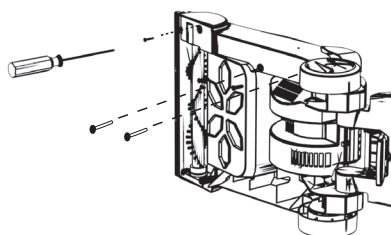
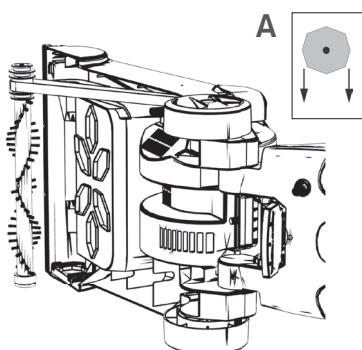


## REPLACE THE BELT

1. Take off cover (refer to page 16). Remove and throw away old belt. Clean any debris from the spindle.
2. Place the new belt onto the spindle, place other end of belt on rounded area of brushbar without bristles.



3. Line up brushbar with base, push into place. Make sure the brushbar ends are in the correct orientation (A).
4. Replace belt cover and secure with the three screws.



# TROUBLESHOOTING

If a minor problem occurs, it usually can be solved quite easily when the cause is found by using the checklist below. If not please call the Customer Care Line on **0330 026 2626**.

## ⚠ CAUTION ⚠

**TO REDUCE THE RISK OF PERSONAL INJURY - UNPLUG BEFORE CLEANING OR SERVICING.**

PROBLEM	POSSIBLE SOLUTION
Why won't the carpet washer turn on?	It may not be plugged into the electrical socket correctly: ensure that the plug is pushed in securely and switched on.
	The power button on the carpet washer may not be fully depressed.
	If the carpet washer cuts out during use, disconnect from the electrical socket, allow to cool for one hour. Clean the filter, empty the dirty water tank.
Why won't the carpet washer pick up solution/spills?	The float in the dirty water tank may have been activated. Empty the dirty water tank if full. If the dirty water tank is not full switch the carpet washer off and wait for the float to settle before re-starting.
	Ensure the dirty water tank is fitted correctly and nozzle cleaning door is closed.
	Check the nozzle for blockages.
	Check the brushbar for blockages.
Why won't the solution/clean water dispense?	Ensure the clean water tank is fitted securely.
	The solution/clean water tank may be empty.
	Ensure the dirty water tank is fitted securely.
Why won't the brushes rotate?	Belt may have broken, check and replace.
	Check the brushbar for blockages.

# WARRANTY

---



## LIMITED WARRANTY

It's quick and easy to register for your free 1 year guarantee online at [www.dirtdevil.co.uk](http://www.dirtdevil.co.uk).

Please retain your original receipt for proof of purchase.

Please make a note of the serial number and model number of the product before calling.



**Call our Customer  
Service Department at**

**0330 026 2626**

Monday-Friday 9:00am to 5:00pm.

**[www.DirtDevil.co.uk](http://www.DirtDevil.co.uk)**

**Dirt Devil, 2 Colmore Square, 38 Colmore Circus, Queensway, Birmingham, B4 6BN.**



**EEC Statement of Compliance:** Manufacturer/EEC importer: Vax Limited trading as Dirt Devil, hereby on our own responsibility, declare that the DDW01-E01 series is manufactured in compliance with the following Directives:  
**Safety:** 2006/95/EC Low Voltage Directive. **EMC:** 2004/108/EC Electromagnetic Compatibility Directive.



Waste electrical products should not be disposed of with household waste. Please recycle where facilities exist.  
Check with your Local Authority or retailer for recycling advice.