

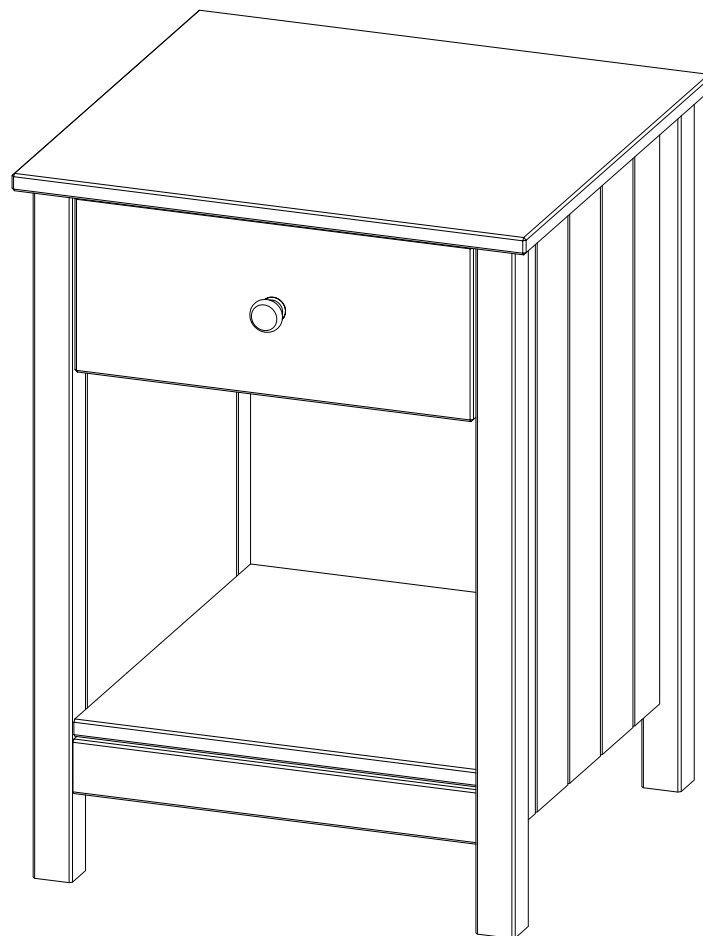
Scandinavia - Bedside chest

Assembly Instructions - Please keep for future reference

505/2929

Retain these instructions for future reference

501/6934



Dimensions

Width - 41.8cm

Depth - 40cm

Height - 57cm

Sainsbury's Argos

489-499 Avebury Boulevard

Saxon Gate West

Central Milton Keynes

MK9 2NW

Important – Please read these instructions fully before starting assembly

If you need help or have damaged or missing parts, call the **Customer Helpline: 03456 400800**



Safety and Care Advice

Important – Please read these instructions fully before starting assembly

- Check you have all the components and tools listed on pages 2 and 3.
- Do not use this item if any components are missing or damaged.
- Remove all fittings from the plastic bags and separate them into their groups.
- Keep children and animals away from the work area, small parts could choke if swallowed.
- Make sure you have enough space to layout the parts before starting.
- Do not stand or put weight on the product, this could cause damage.

- Assemble the item as close to its final position (in the same room) as possible.
- Assemble on a soft level surface to avoid damaging the unit or your floor.
- Parts of the assembly will be easier with 2 people.



- We do not recommend the use of power drill/drivers **for inserting screws**, as this could damage the unit. Only use hand screwdrivers.
- Dispose of all packaging carefully and responsibly.

- This product is suitable for children in the age range which the product is designed, 3-12 years.
- Assembly to be carried out by a competent adult only
- During assembly children should be kept away from the product due to possible risk of injury.
- Folding and unfolding this product should only be carried out under adult supervision.
- Ensure that fingers and legs are clear of all adjustments when adjusting this product.
- Regularly check all fastenings to ensure that they properly tightened.

Care and maintenance

- Only clean using a damp cloth and mild detergent, do not use bleach or abrasive cleaners.
- From time to time check that there are no loose screws on this unit.
- This product should not be discarded with household waste. Take to your local authority waste disposal centre.

Tools required



Phillips screwdriver (medium & large)



Small hammer



Flatblade screwdriver (medium)



Ruler/tape measure



7mm Suitable drill bit (for use with wall plug)



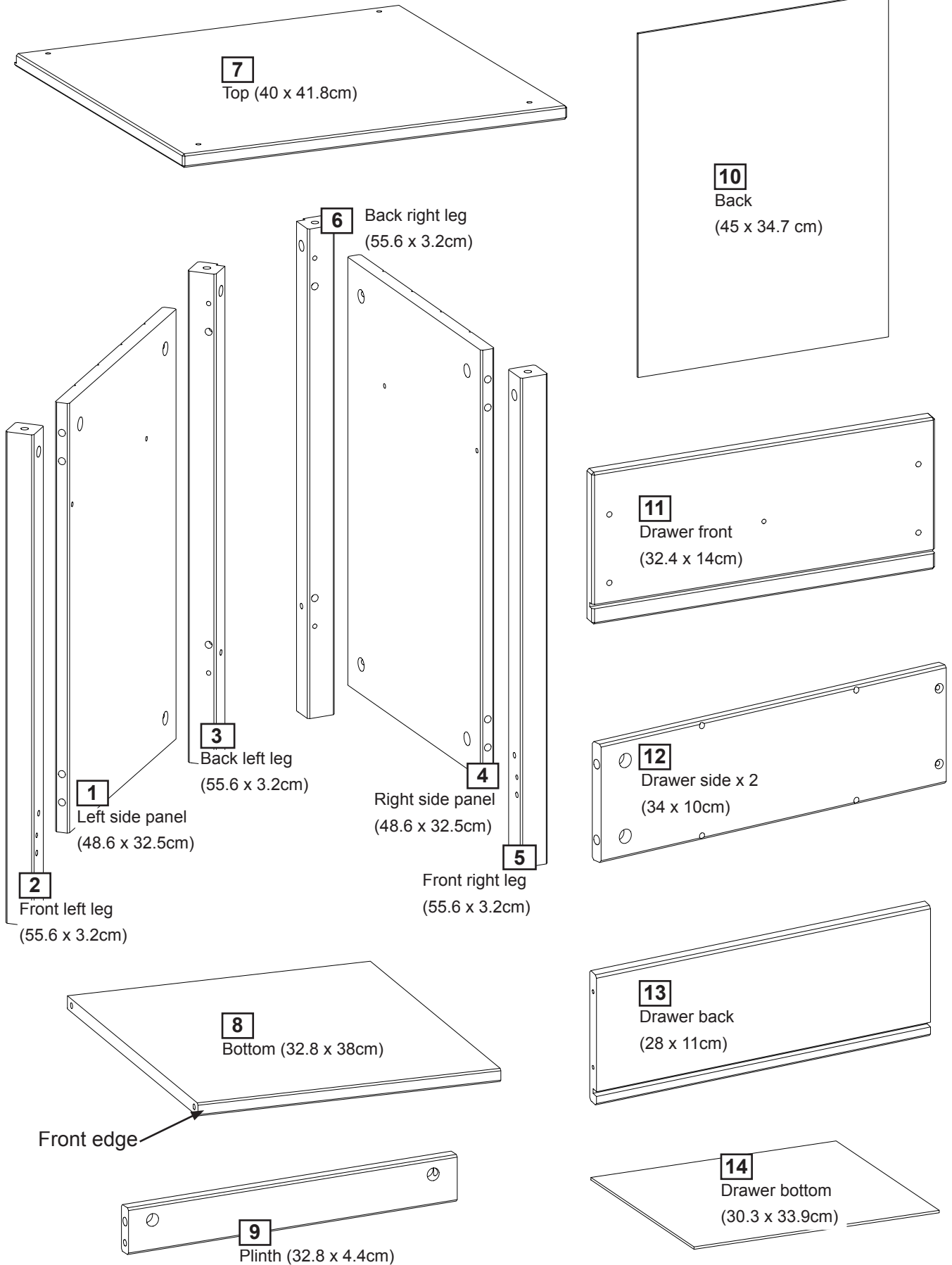
Eye protection (when using a hammer or glue)

Note: if required the next page can be cut out and used as reference throughout the assembly. Keep this page with these instructions for future reference.

Components - Panels

If you have damaged or missing components, call the **Customer Helpline: 03456 400 800**


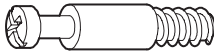
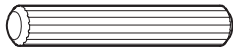
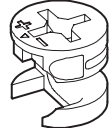
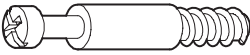
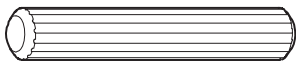

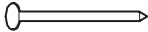
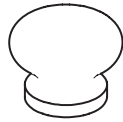
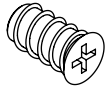
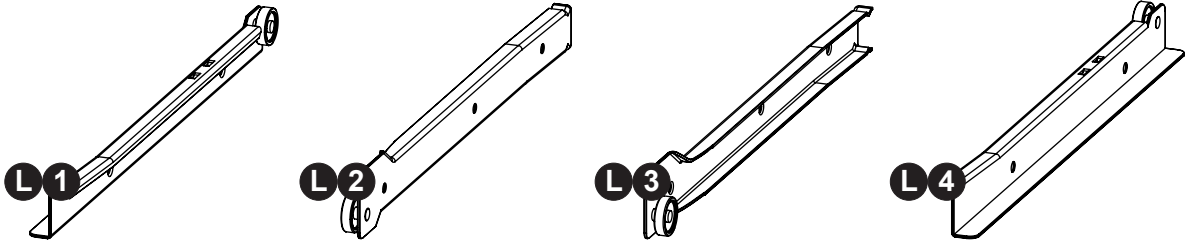
Please check you have all the panels listed below



Components - Fittings

Please check you have all the fittings listed below

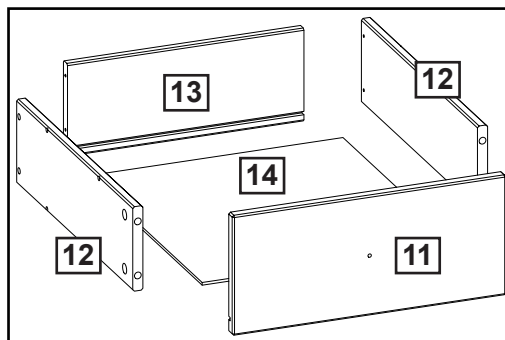
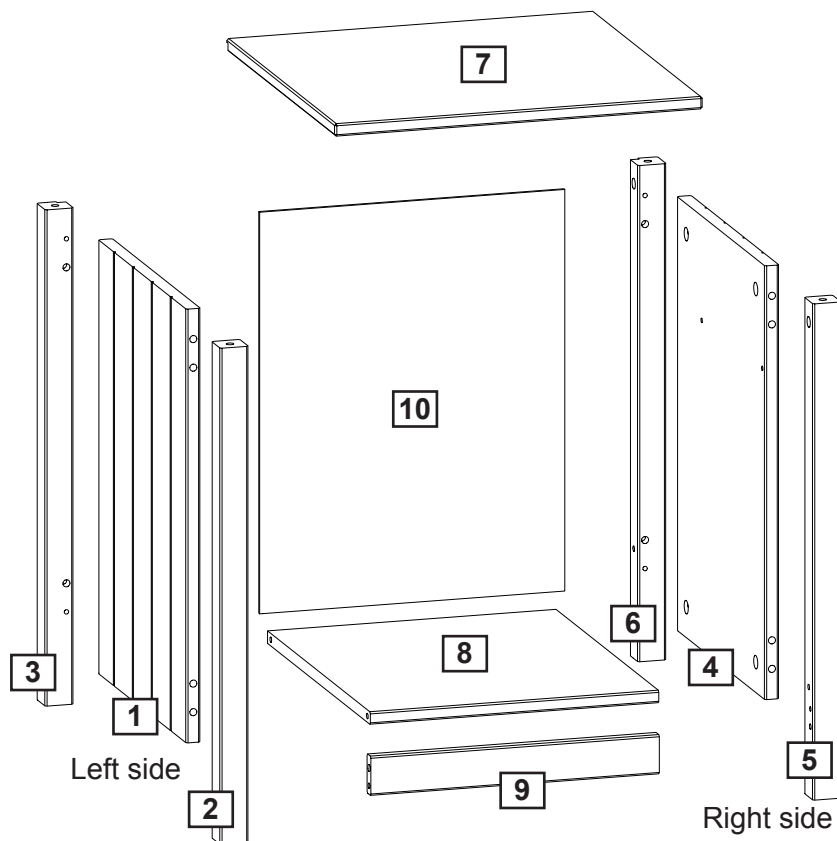
Note: The quantities below are the correct amount to complete the assembly. In some cases more fittings may be supplied than are required.

<p>A</p>  <p>Cam 12 mm x 10</p>	<p>B</p>  <p>Locking pin 24 mm x 10</p>	<p>C</p>  <p>Dowel 30 mm x 6</p>
<p>D</p>  <p>Cam 15 mm x 8</p>	<p>E</p>  <p>Locking pin 34 mm x 8</p>	<p>F</p>  <p>Dowel 40 mm x 8</p>
<p>H</p>  <p>Screw 35 mm x 5</p>	<p>I</p>  <p>Nail x 30</p>	<p>J</p>  <p>Knob x 1</p>
<p>K</p>  <p>Screw x 8</p>		
<p>L</p>  <p>Drawer runner x1</p>		

Ruler - Use this ruler to help correctly identify the screws



Components - Key Diagram



Function of Cam and Locking Pin

Step 1:

Fix the locking pin to the wooden panel.

Step 2:

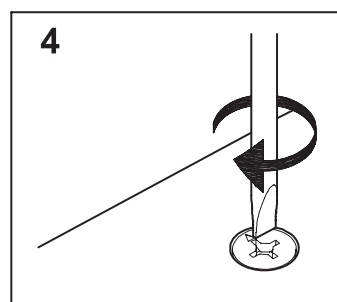
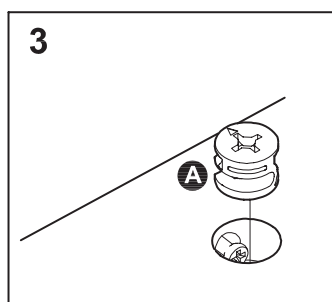
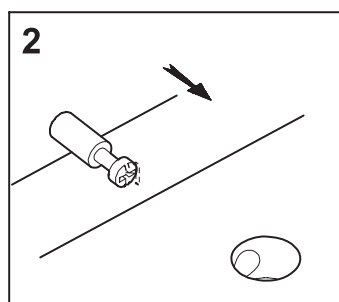
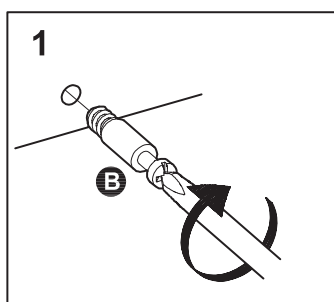
Push the wooden panel with the attached locking pin onto the other wooden panel.

Step 3:

Place the cam into the hole, arrow pointing towards the locking pin.

Step 4:

Tighten: Turn the cam to the right.



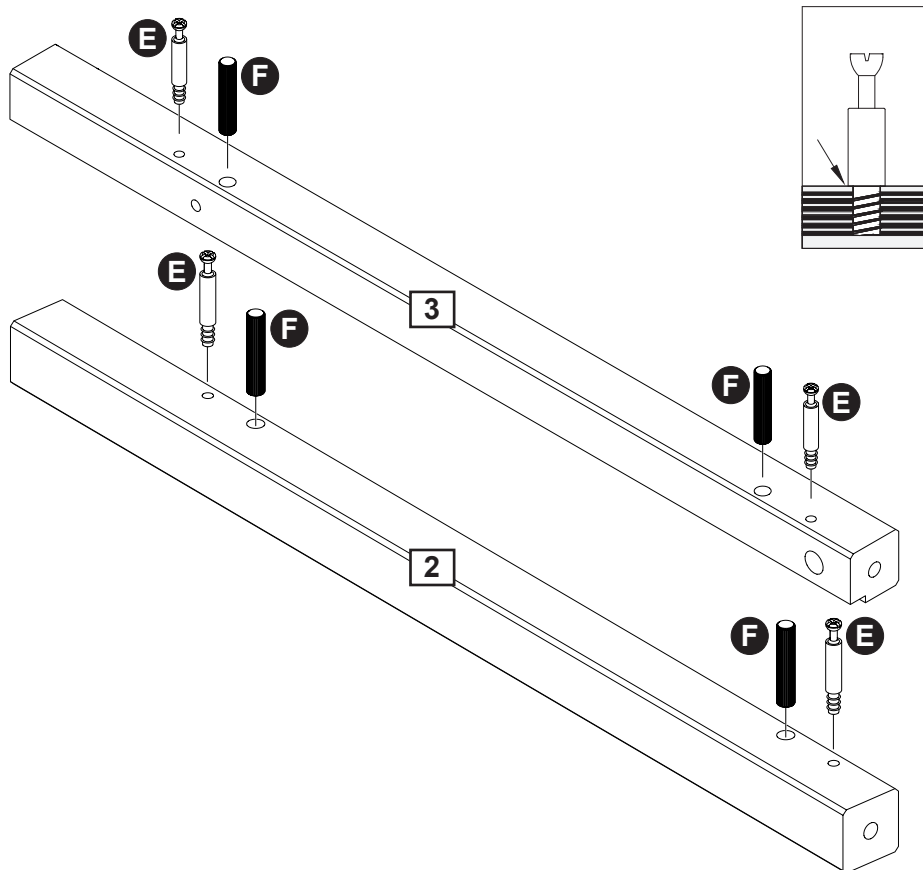
Assembly Instructions

Step 1

Inserting the dowels and mounting the locking pins to the legs.

Insert the dowels **F** into the holes indicated on the legs **2** and **3**. Screw the locking pins **E** into the holes indicated on the legs **2** and **3**.

Note: Insert locking pins **E** as far as shown. **Do not over tighten.**



Step 2

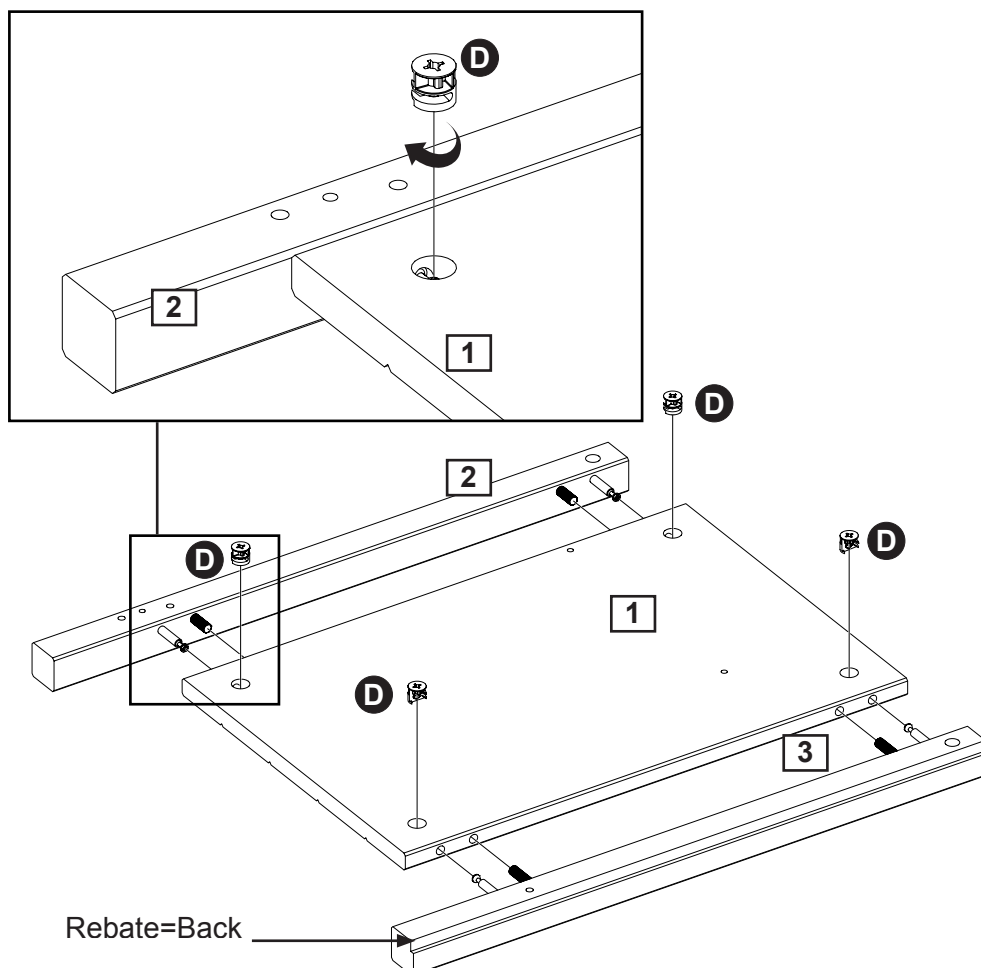
Mounting legs to the side panels.

Fit the legs **2** and **3** onto the side panel **1**.

Note: See page 5 "Function of cam and locking pin".

Place the cams **D** into the holes indicated on the side panel **1**.

To tighten cams: Turn to the right using a screwdriver.



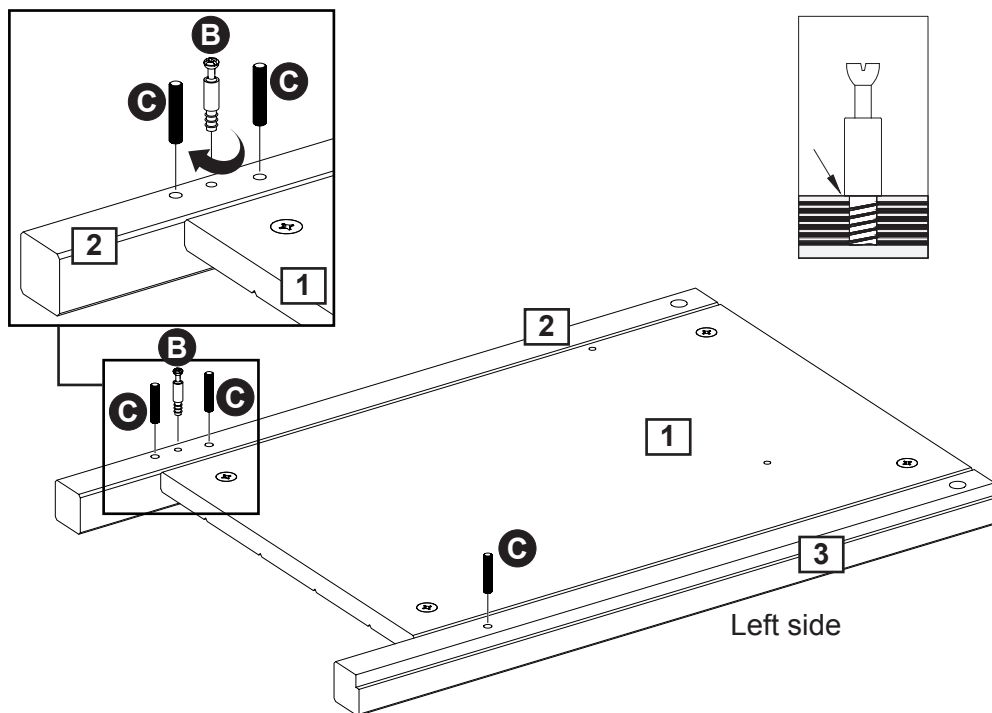
Assembly Instructions

Step 3

Inserting the dowels and mounting the locking pin to the assembled side.

Insert the dowels **C** into the holes indicated. Screw the locking pin **B** into the holes indicated on the legs **2** and **3**.

Note: Insert locking pins **B** as far as shown. Do not over tighten.

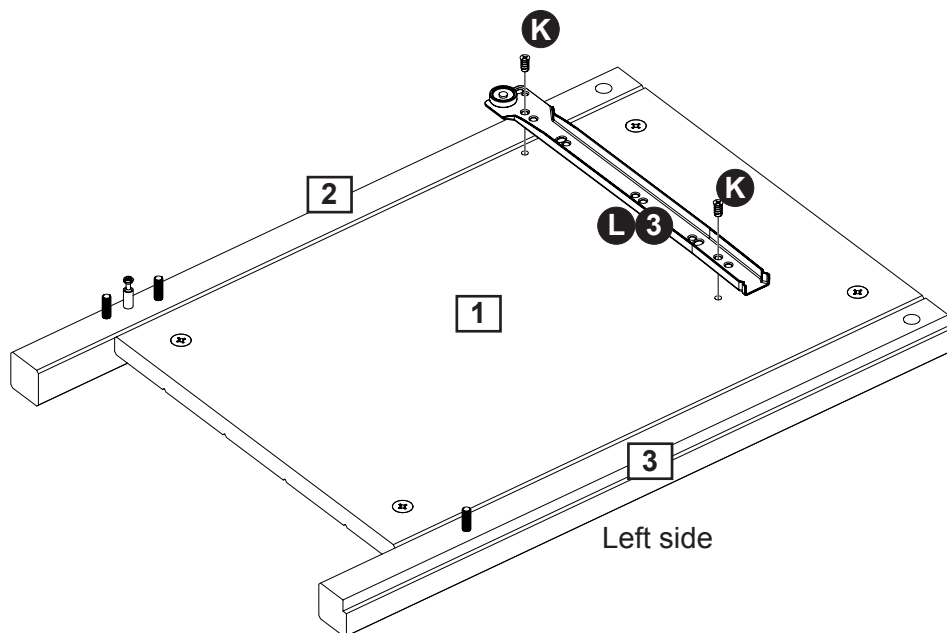


Step 4

Attaching the drawer runners to the assembled side.

Fix the drawer runners **L3** to the left side **1**, **L2** to the right side **4** using screws **K** through the holes indicated.

To tighten screws:
Turn to the right using a screwdriver.



Repeat these steps with right side.

Assembly Instructions

Step 5

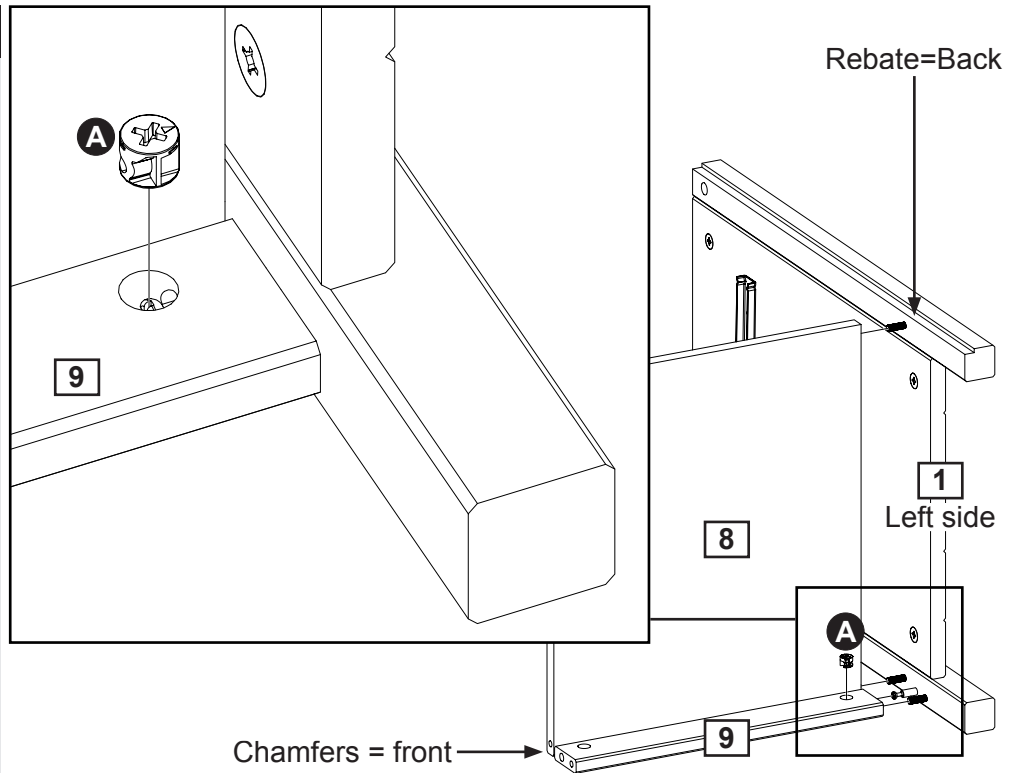
Adding the plinth and the bottom to the left side.

Fit the left side **1** onto the bottom **8** and plinth **9**.

Note: See page 5 “Function of cam and locking pin”.

Place the cams **A** into the holes indicated on the plinths **9**

To tighten cams: Turn to the right using a screwdriver.



Step 6

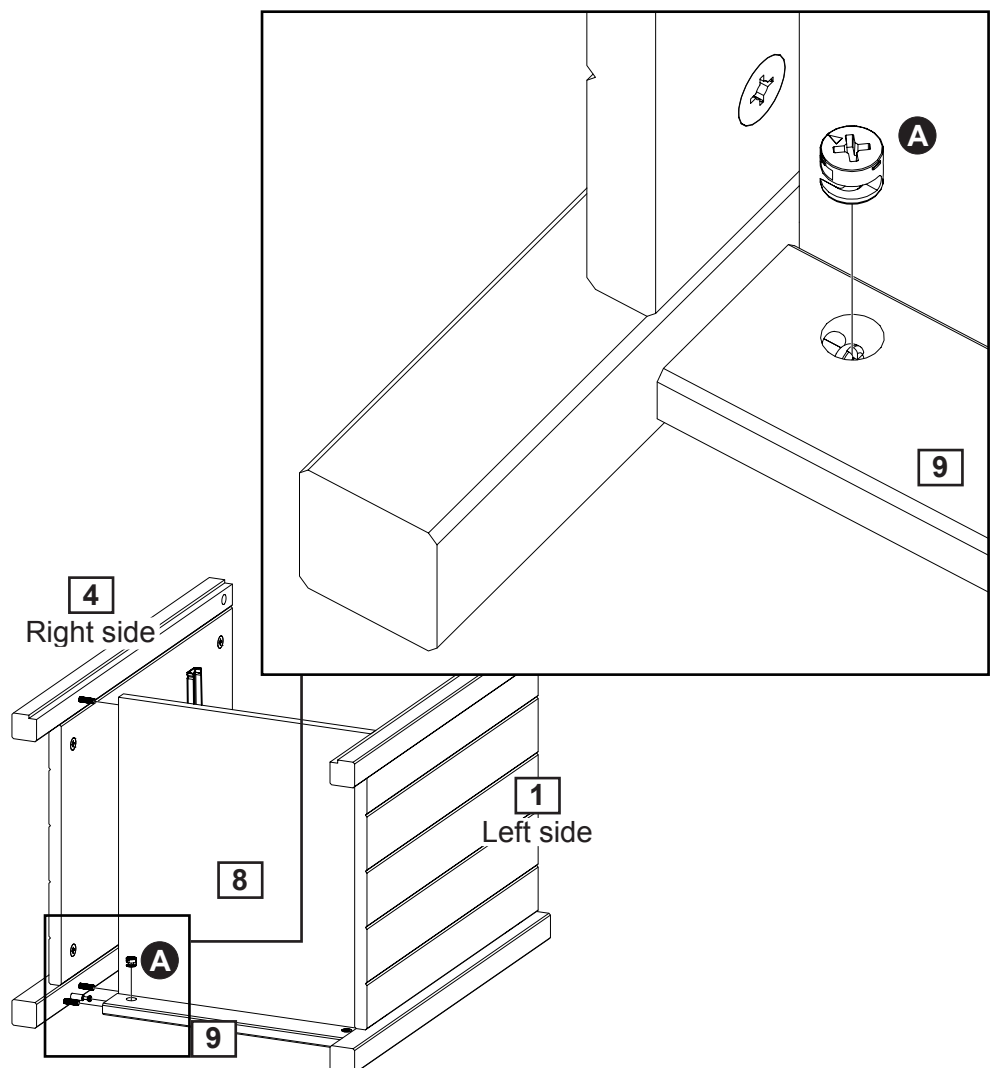
Adding the plinth and the bottom to the right side.

Fit the right side **4** onto the bottom **8** and plinth **9**.

Note: See page 5 “Function of cam and locking pin”.

Place the cams **A** into the holes indicated on the plinth **9**.

To tighten cams: Turn to the right using a screwdriver.



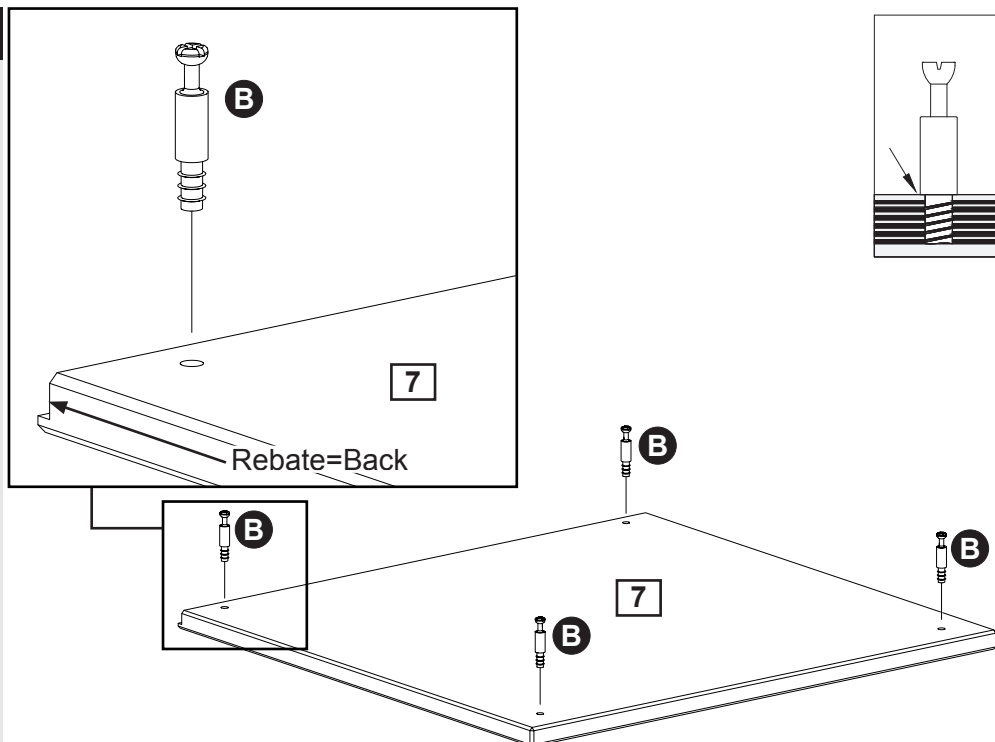
Assembly Instructions

Step 7

Mounting the locking pins to the top.

Screw the locking pins **B** into the holes indicated on the top **7**.

Note: Insert locking pins **B** as far as shown. **Do not over tighten.**



Step 8

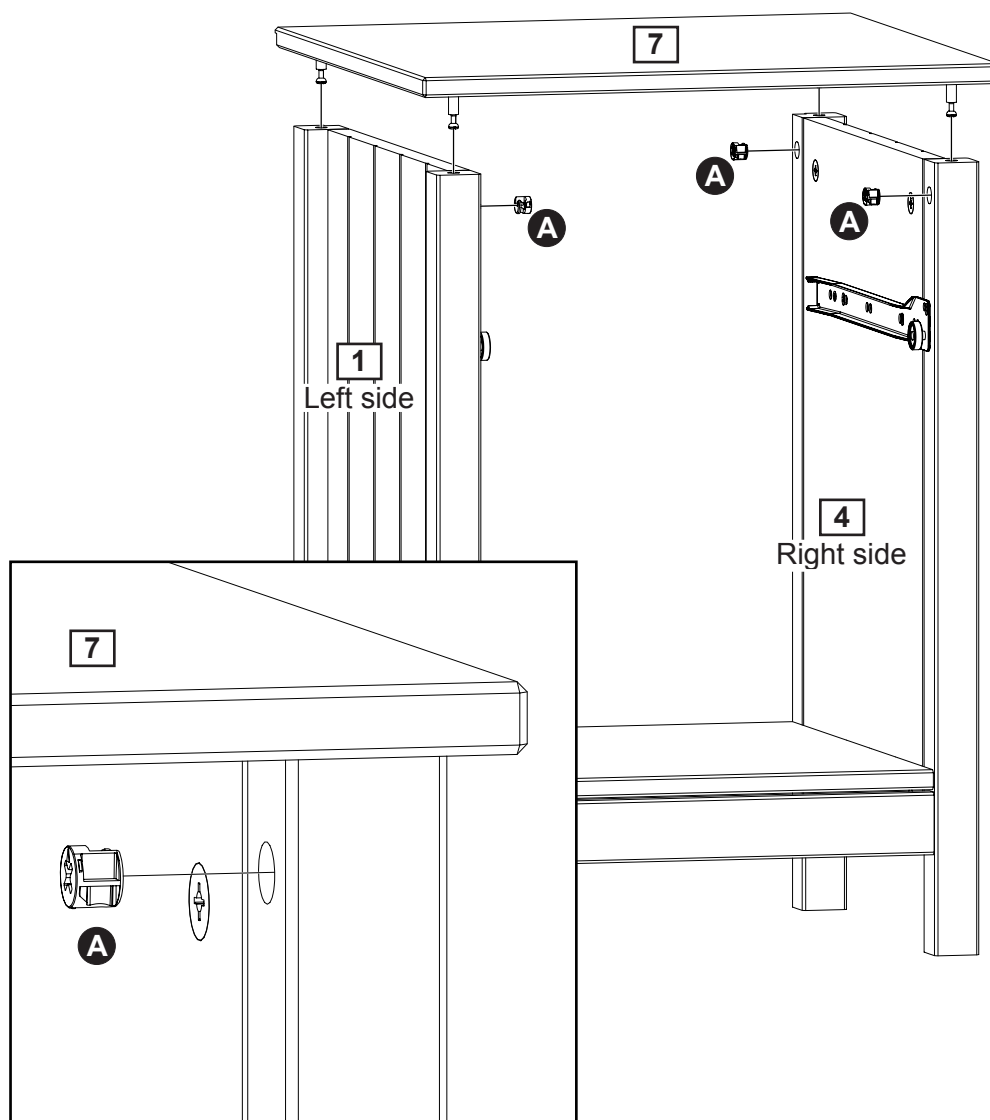
Assembling the top to the sides.

Attach the top **7** onto the sides **1** and **4**.

Note: See page 5 "Function of cam and locking pin".

Place the cams **A** into the holes indicated on the sides **1** and **4**.

To tighten cams: Turn to the right using a screwdriver.

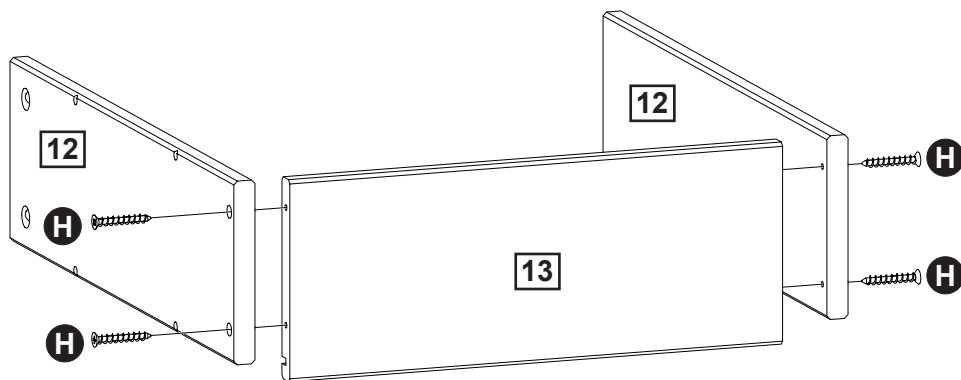


Assembly Instructions

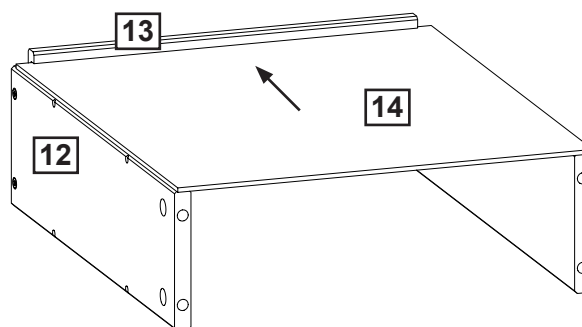
Step 10

Small drawer assembly.

a: Fix the drawer sides **12** to the drawer back **13** using screws **H**.

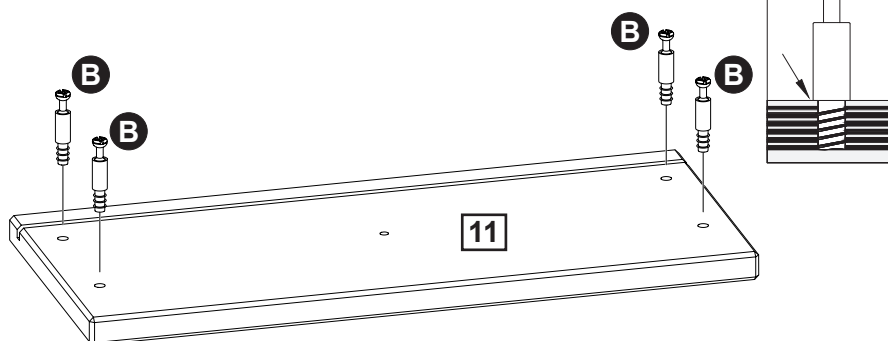


b: Slide the drawer bottom **14** into the groove of the drawer back **13**.



c: Screw the locking pins **B** into the holes indicated on the drawer front **11**.

Note: Insert locking pins **B** as far as shown. **Do not over tighten.**

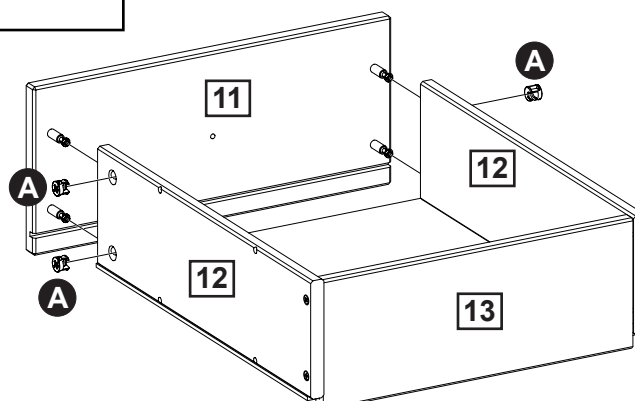
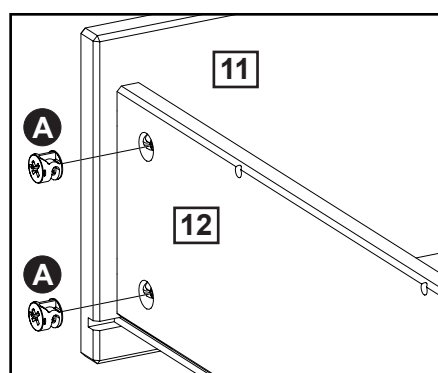


d: Press the drawer front **11** onto the drawer sides **12**.

Note: See page 5 "Function of cam and locking pin".

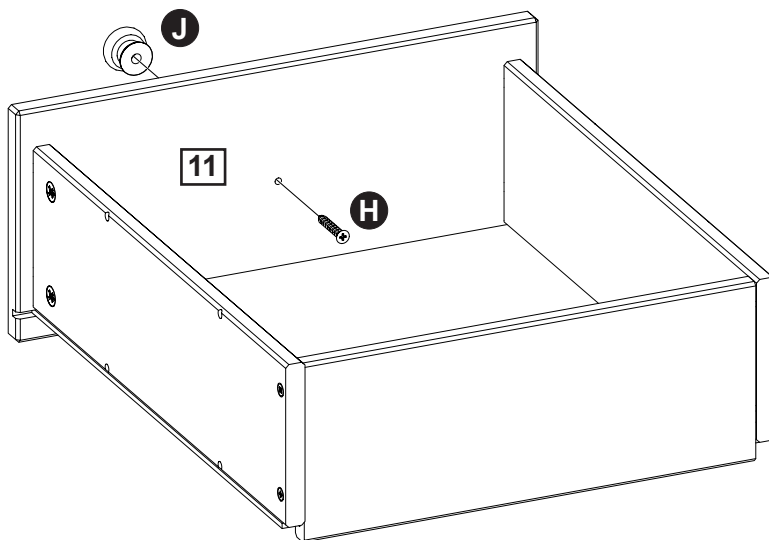
Place the cams **A** into the holes indicated on the drawer side **12**.

To tighten cams: Turn to the right using a screwdriver.

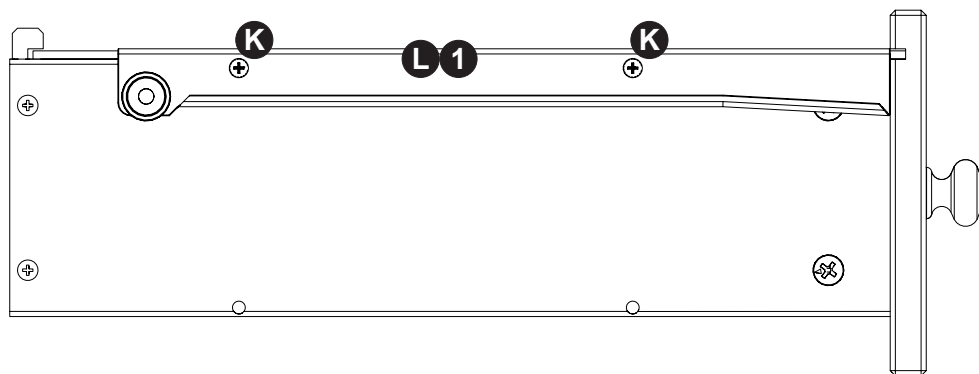
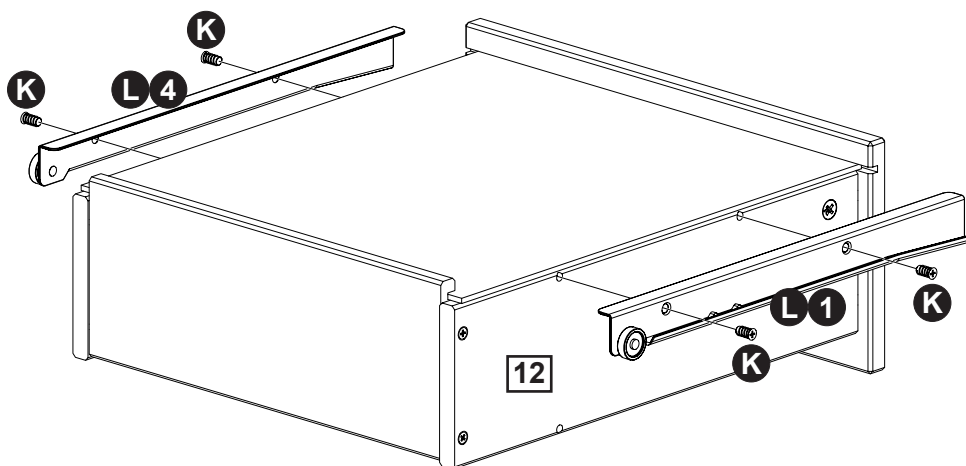


Assembly Instructions

e: Fix the knob **J** to the drawer front using screw **H**.



f: Fix the drawer runners **L1** and **L4** to the drawer sides **12** using screws **K** through the holes indicated.



Assembly Instructions

Step 11

Adding the drawer to the carcass.

Slide the drawer onto the drawer runners.



If you need help or have damaged or missing parts, call the **Customer Helpline: 03456 400 800**
Domestic address or Home Retail Group Plc address.

Dear Customer

Please note that the product you have purchased is a natural living timber.

Just like nature itself, wood varies in shape and colour. Knots, vein patterns, resin pockets and colour differences contribute to giving the piece of furniture its beauty and form - a natural part of solid wood.

Although the tree has been cut down and dried, it is still alive and therefore will react to high and low temperatures, light, humidity, drought and time.

In cold and dry periods, the wood contracts which may lead to small cracks in the piece of furniture. The reverse happens in warm and humid periods where the wood expands and this may result in slight unevenness.

The colour of the wood also changes with time, particularly if the furniture is placed in a light place. This is a natural process and part of owning a piece of furniture made of solid wood.

Any flexing that has occurred during transport will re-correct itself once this product is correctly assembled.

Tighten all joints of the furniture after six months.

Please keep these instructions in a safe place for future use.