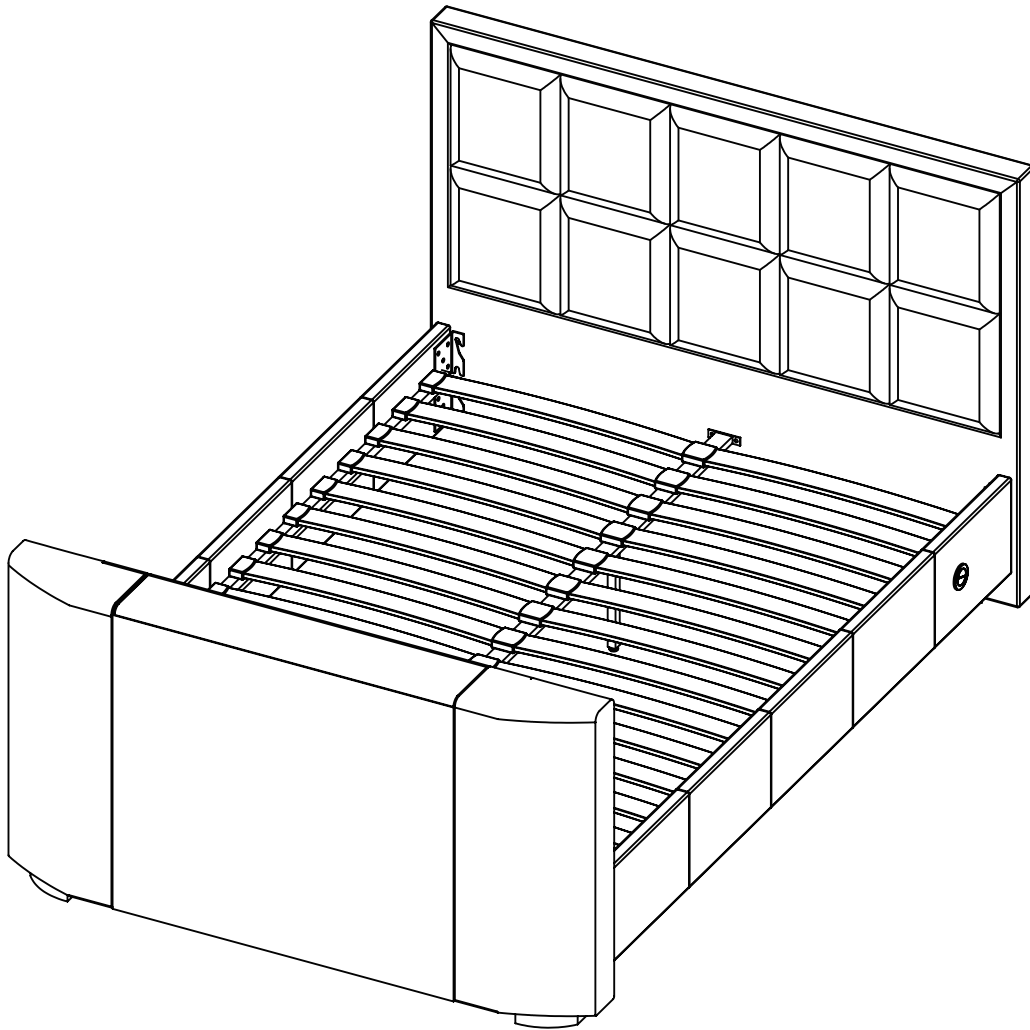


Costello TV Bed

Assembly Instructions - Please keep for future reference

0504/8036

0464/5643



Dimensions (4-6)

Length - 219 cm
Width - 145.5 cm
Height - 115.5 cm

Dimensions (5-0)

Length - 227 cm
Width - 160.5 cm
Height - 115.5 cm

Important - Please read these instructions fully before starting assembly

If you need help or have damaged or missing parts, call one of the Customer Helplines:

0345 6400 800 (For order problems, incorrect product or missing/damaged parts).

01626 879 158 (Only for problems with TV Installation, Electrical System or TV Lift not working).



Safety and Care Advice

Important – Please read these instructions fully before starting assembly

Check you have all the components and tools listed on pages 2 and 3.

Remove all fittings from the plastic bags and separate them into their groups.

Keep children and animals away from the work area, small parts could choke if swallowed.

Make sure you have enough space to layout the parts before starting.

Assemble the item as close to its final position (in the same room) as possible.

Assemble on a soft level surface to avoid damaging the unit or your floor.

Assembly requires 2 people.

Do not fully tighten bolts until the whole bed is assembled.

Do not over tighten the nuts to avoid causing damage to the threads.



We do not recommend the use of power drill/drivers for inserting screws,

as this could damage the unit.

Only use hand screwdrivers and Allen keys.

Dispose of all packaging carefully and responsibly.

Care and maintenance

Only clean using a damp cloth and mild detergent, do not use bleach or abrasive cleaners.

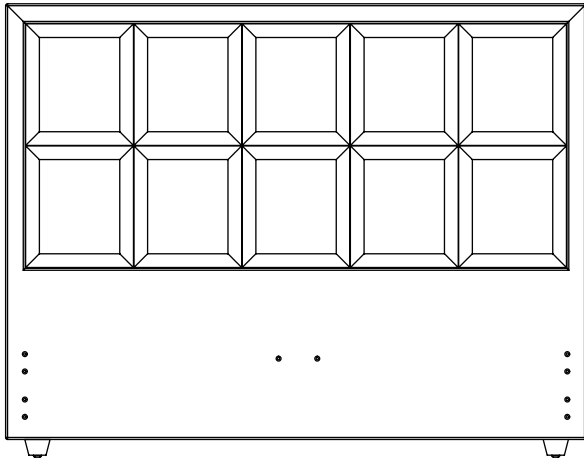
From time to time check that there are no loose screws on this unit.

This product should not be discarded with household waste. Take to your local authority waste disposal centre.

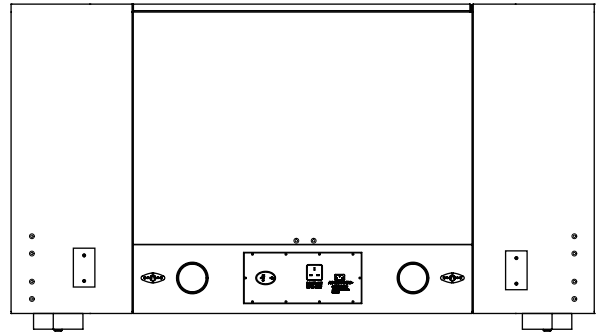
Components - Parts

If you have damaged or missing components, call the **Customer Helpline: 0345 6400 800**

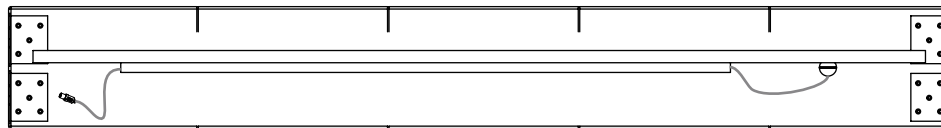
Please check you have all the parts listed below



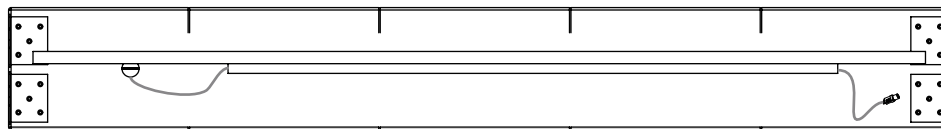
1 Headboard (4-6 -1455 x 1155mm)
(5-0 -1605 x 1155mm)



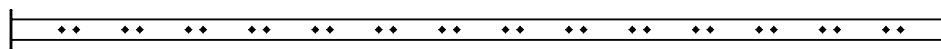
2 Footboard (4-6 -1455 x 820mm)
(5-0 -1605 x 820mm)



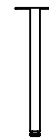
3 Right side rail (4-6 -1930 x 350 x 35mm)
(5-0 -2010 x 350 x 35mm)



4 Left side rail (4-6 -1930 x 350 x 35mm)
(5-0 -2010 x 350 x 35mm)



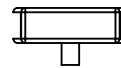
5 Central support (4-6 -1925 x 40mm)
(5-0 -2005 x 40mm)



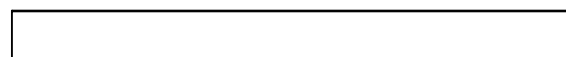
6 Support bar legs x2 (263mm)



7 Single slat caps x 28 (4-6)
Single slat caps x 30 (5-0)



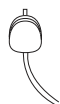
8 Double slat caps x 14 (4-6)
Double slat caps x 15 (5-0)



9 Bentwood slats x 28 (4-6 -685x9x53mm)
Bentwood slats x 30 (5-0 -755x9x53mm)



10 Aerial Lead (4 metre)



11 Mains Power Lead (3 metre)



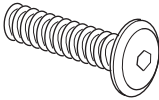
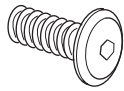


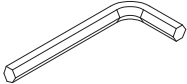
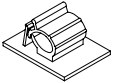
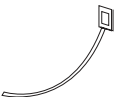
12 HDMI Leads x2 (2.8 metre)

Components - Fittings

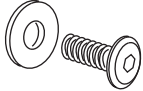
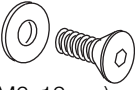
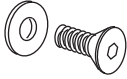




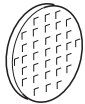
If you have damaged or missing components, call the **Customer Helpline: 0345 6400 800**

Please check you have all the fittings listed below

Note: The quantities below are the correct amount to complete the assembly. In some cases more fittings may be supplied than are required.

<p>A</p>  <p>Allen screw (M8x30mm) x20</p>	<p>B</p>  <p>Allen screw (M8x20mm) x4</p>	<p>C</p>  <p>Spring Washer (for M8 screws) x16</p>
<p>D</p>  <p>Flat Washer (for M8 screws) x24</p>	<p>E</p>  <p>Allen Key (for M8 screws) x1</p>	<p>F</p>  <p>Cable Clip x3</p>
<p>G</p>  <p>Cable Tie x3</p>		

TV INSTALLATION KIT

<p>H</p>  <p>Screw-Washer sets (M8x25mm) x4</p>  <p>Counter-Sunk Screws (M6x12mm) x4</p>  <p>Counter-Sunk Screws (M4x12mm) x4</p>	<p>J</p>  <p>Spanner (for 9mm Domed Nut) x1</p>	<p>K</p>  <p>Allen Key (5mm) x1</p>  <p>Allen Key (4mm) x1</p>  <p>Allen Key (2.5mm) x1</p>
	<p>M</p>  <p>3mm Self-Adhesive Pads x12</p>	

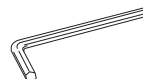
Tools required



Ruler/tape measure



Phillips screw-driver

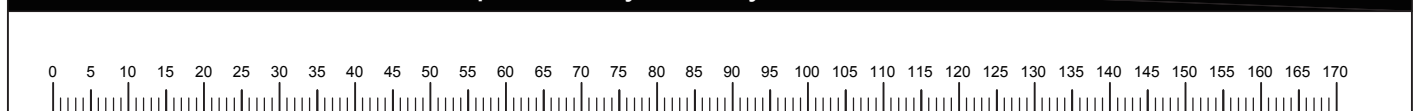


Allen key (supplied)



Spanner (supplied)

Ruler - Use this ruler to help correctly identify the screws

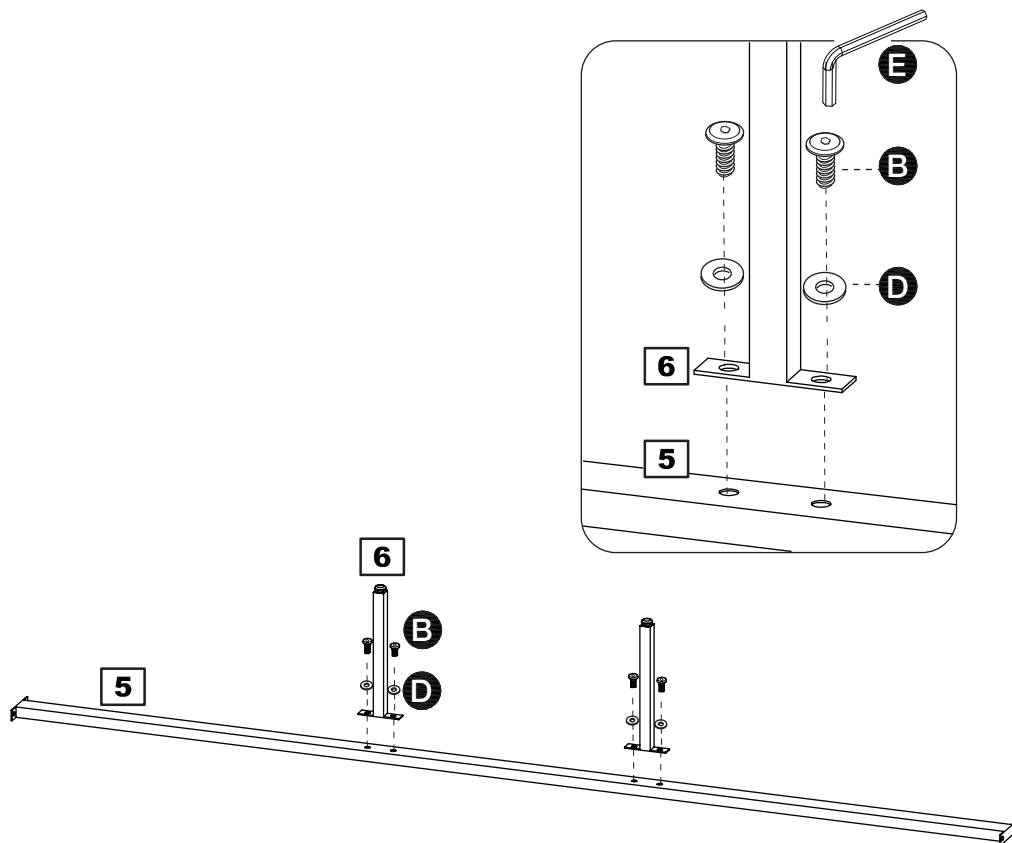


Assembly Instructions

Step 1

Assembling Support Legs

a: Fit support bar legs **6** to central support **5** using fixings **B** and **D**.



Assembly Instructions

Step 2

Assembling headboard and footboard

a: Loosely insert two screws **A** with spring washers **C** and flat washers **D** into each side of headboard and footboard **1** and **2**.

Note: Do not tighten fully. Leave 10mm protruding as in the diagram.

b: Fit the side rails **3** and **4** brackets onto screws **A**, locating the brackets behind flat washers **D**.

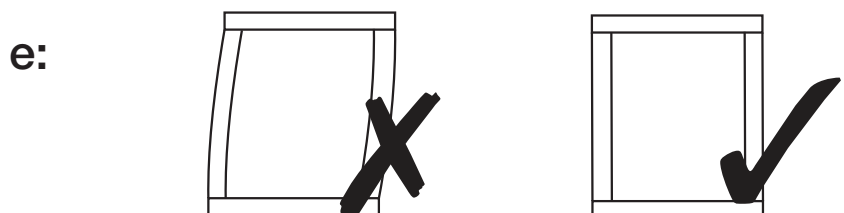
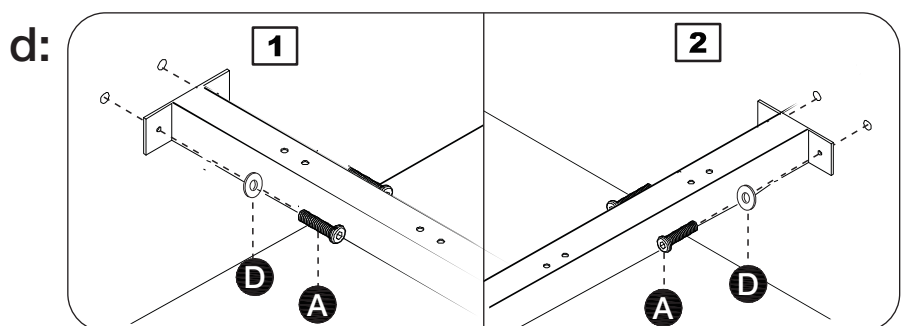
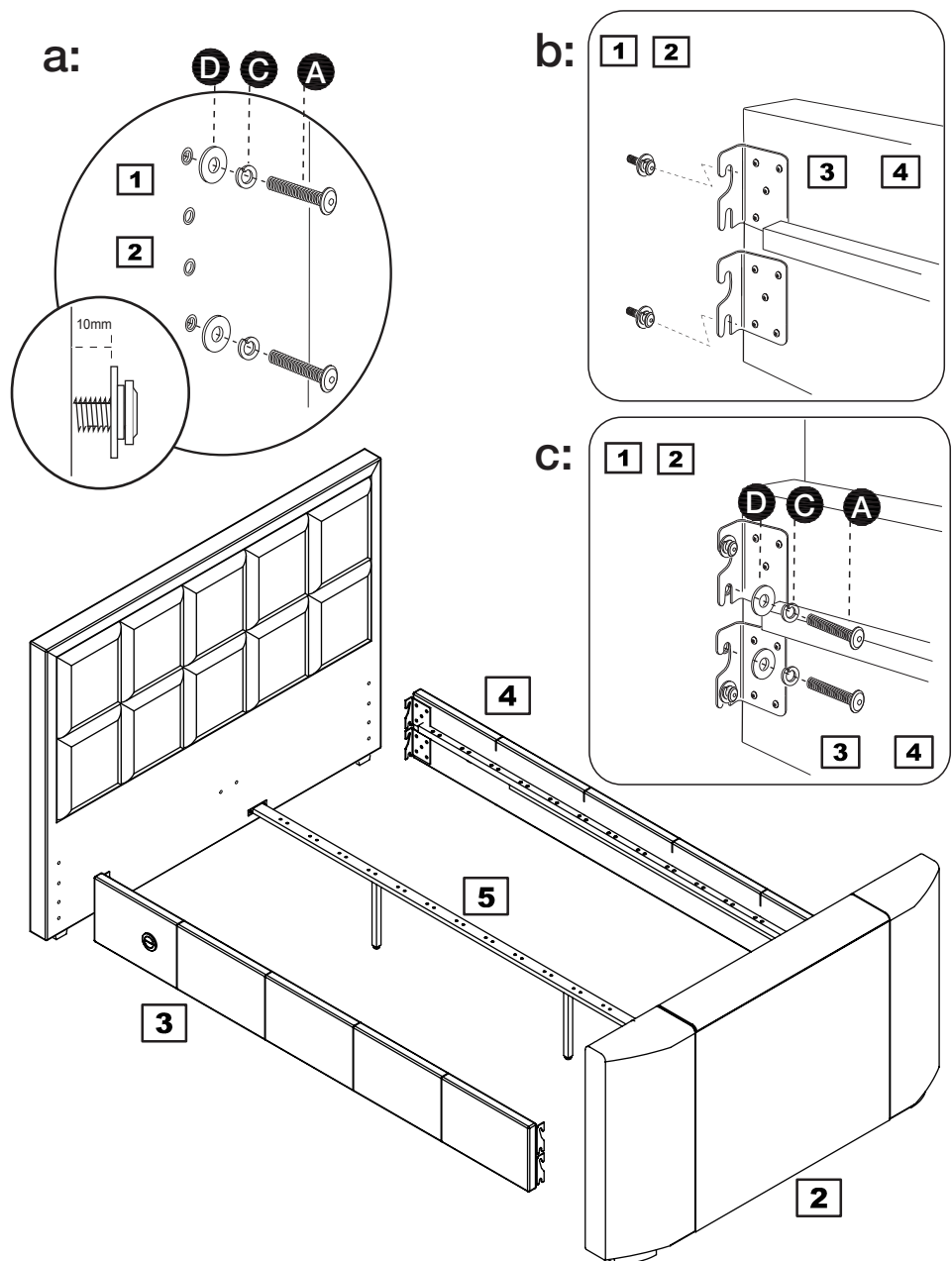
c: Fit last two screws **A**, spring washers **C**, and flat washers **D** through the brackets in the central set of holes.

d: Assemble central support **5** in between the headboard and footboard using fixings **A** and **D**.

e: Make sure the bed frame is straight and square, as shown in the diagram.

When all screws are in place, make sure bed is still square then tighten them all 100%.

Carefully adjust the feet on support bar legs **6** so there is 5mm gap to the floor.



Assembly Instructions

Step 3

Electrical & Cable Connections

a: Connect the Mains power lead **11** into the 3 Pin socket located on the right-hand side at bottom of the footboard **2**.

Connect UK plug to your wall socket.

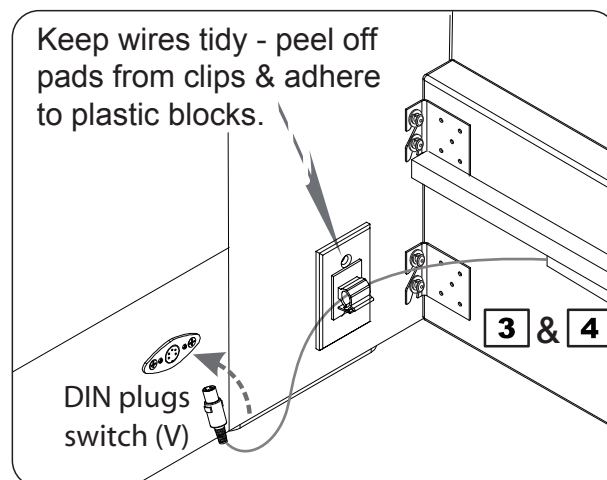
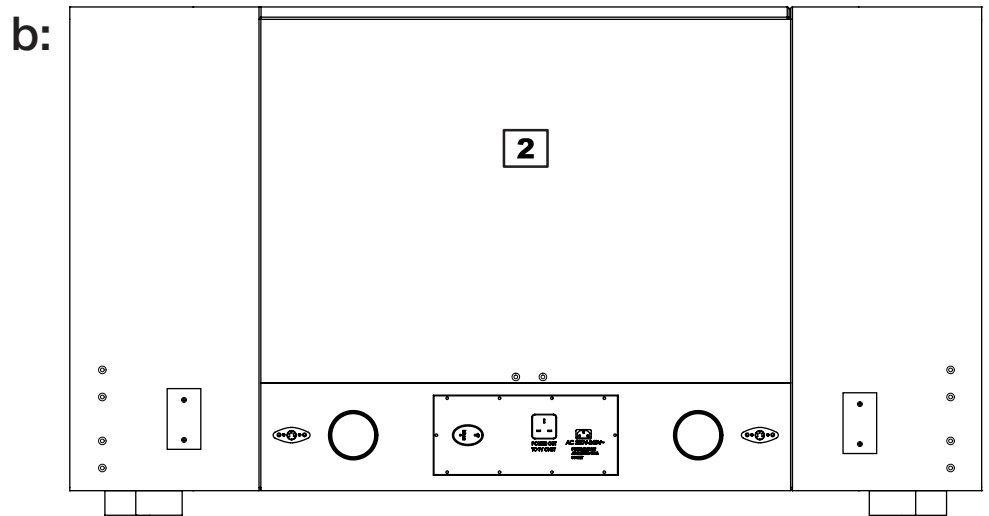
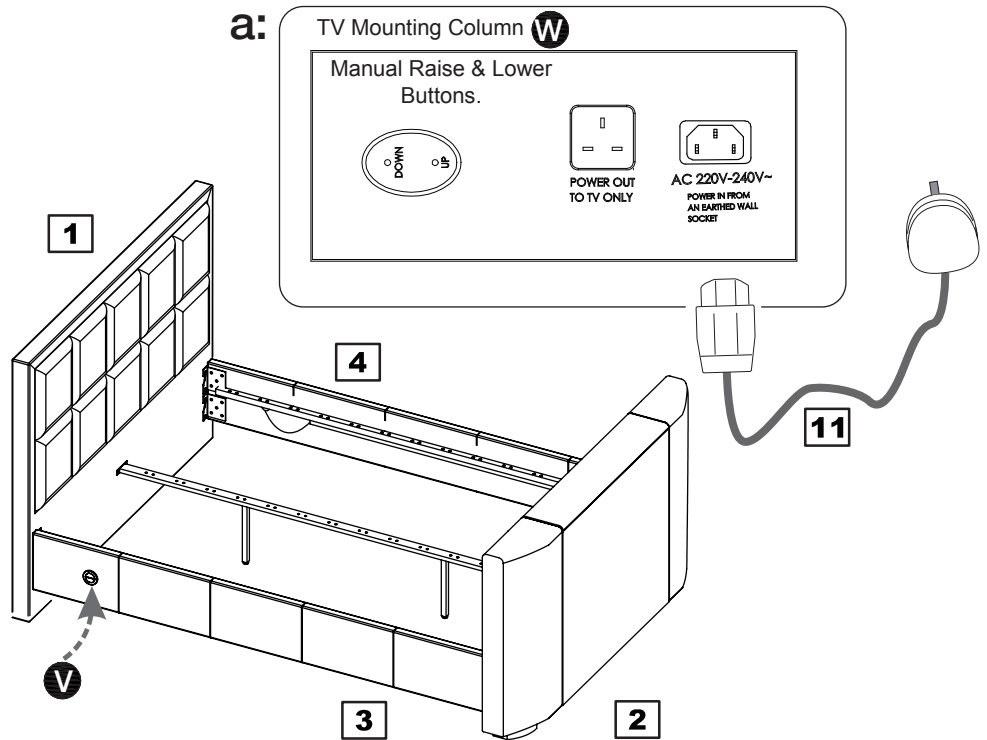
Note: the power supply to this plug must be earthed. The plug must be easy to reach if you need to disconnect the power at any time.

To operate the TV Mounting Column **W** there is a switch **V** in each side rail of the bed near the headboard **1**.

b: The switches are connected to the TV Lift control system of the footboard **2** make sure they are plugged in properly align the arrows on the labels and push right in.

Clip the wires to the plastic blocks to keep them tidy. One can now operate the TV Lift.

Note: If you press the Up or Down button in quick succession (1 Min), the TV Lift does not move - this is normal, just press the button twice.



Assembly Instructions

Step 4

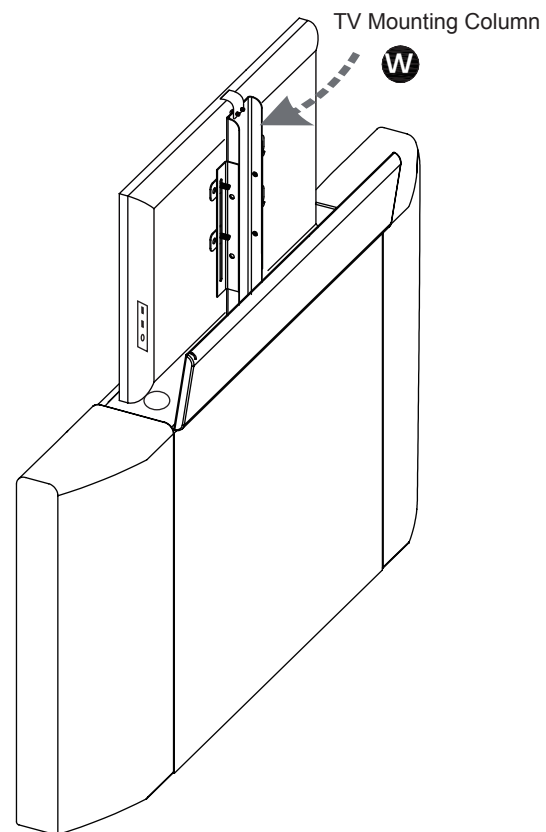
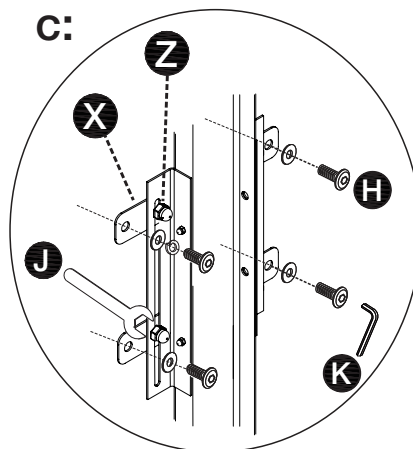
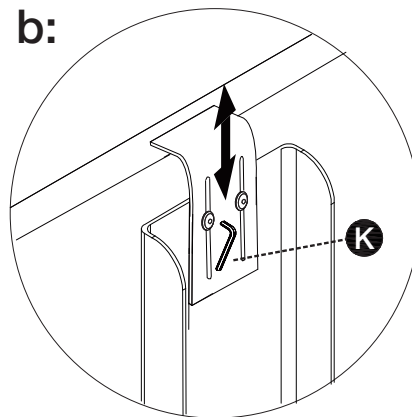
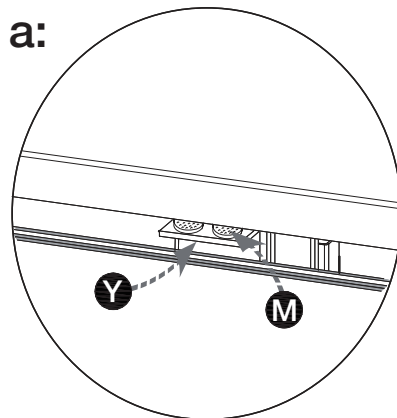
TV Installation

a: Place TV on Platform **Y** as in sketch. Occasionally the remote control eye is mounted underneath the TV so please make sure it can be operated correctly. It may be necessary raise height of TV by using extra pads **M**.

Note: TV Mounting Column **W** Max load is 12kg. Max dimensions of TV that can be fitted: 82x7x44 cm (WDH)

b: If height adjustment is necessary - adjust lid-lifter to maximum height of the slot using Allen key **K** loosen the clamping screw (don't remove) & slide curved lifter to top of it's slots. Gently lock.

c: If necessary, adjust mounting plates **X** by loosening the four domed nut **Z** and move TV mounting plates up or down so bolts **H** are in line with the VESA fixing holes on back of TV then tighten by spanner **J**. Fix TV with one of screw-set **H** making sure TV is horizontal then tighten all four TV screws 100%. Use Allen Key **K** which can be found in main hardware Pack - do not over-tighten. After final positioning, adjust lid-lifter down so curve is slightly higher than TV - by about 4mm.



Assembly Instructions

Step 5

Connect Leads

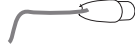
a: Use cable clip **F** on back of TV to keep leads tight - make sure all leads at rear of TV go into the ducts and cannot get trapped.

Note: Connect cables carefully. Use cable ties & cable clips to keep all cables tight and as close to back of TV as possible - make sure there is no loose cable that could become trapped.

b: Pass the TV Power Lead & Media Leads through the LEFT or RIGHT duct. Choose the duct to suit connections on your TV.

Note: One Aerial Lead **10** & two HDMI Leads **12** are supplied. You can also fit your own media cable as well but the ducts must be used to prevent any wires becoming trapped.

10 4Mt Aerial Lead



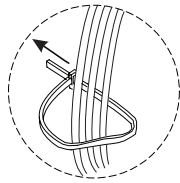
12 2.8 Mt HDMI Leads - x2



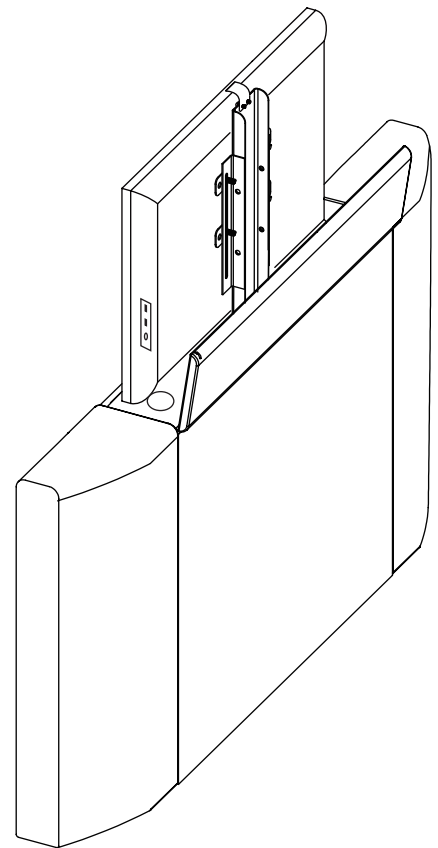
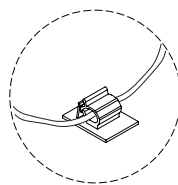
TV Power Lead.
supplied with your TV



G Cable Ties



F Cable Clips



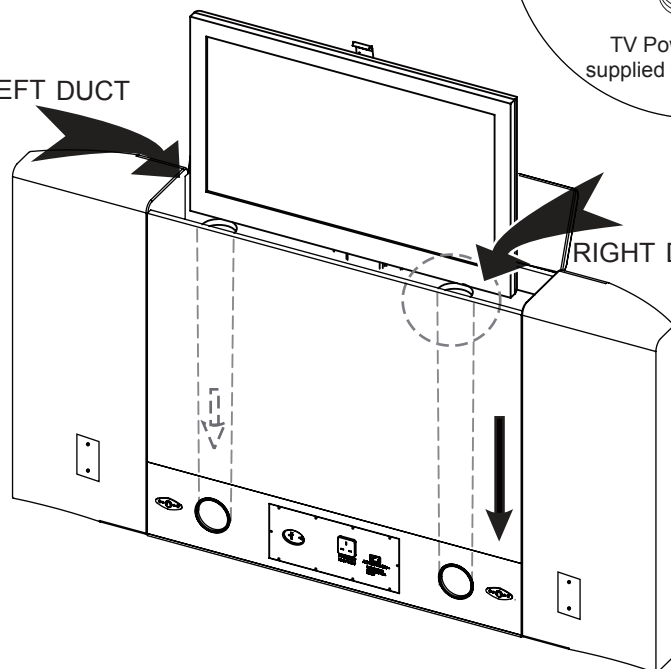
b:

10 Aerial Lead **12** HDMI Leads

TV Power Lead.
supplied with your TV

LEFT DUCT

RIGHT DUCT

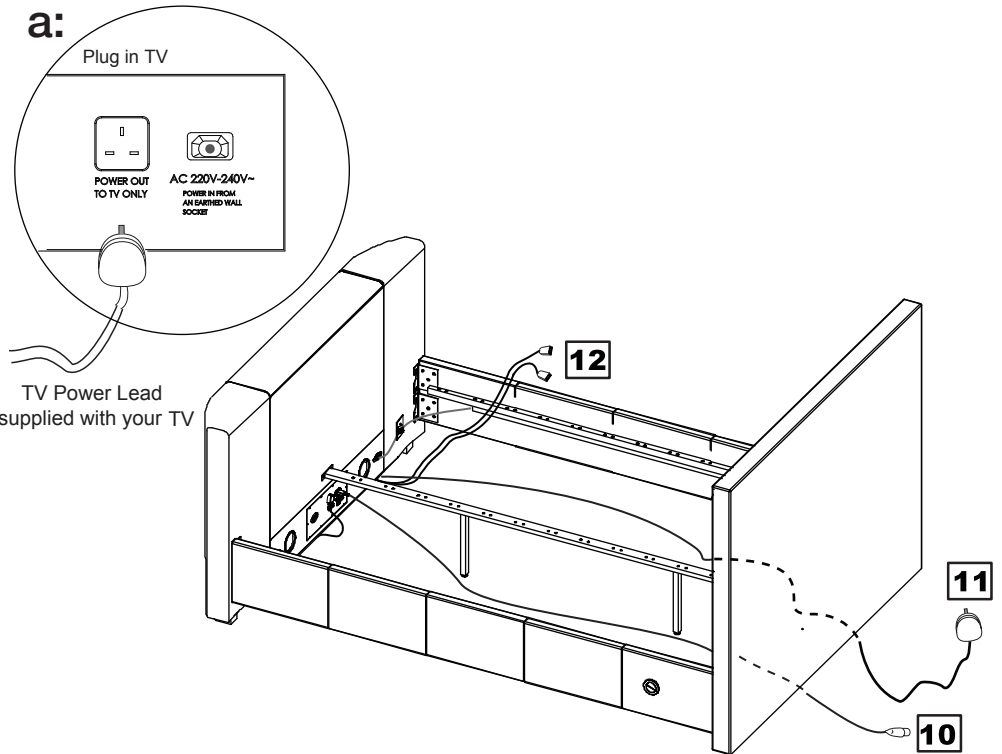


Assembly Instructions

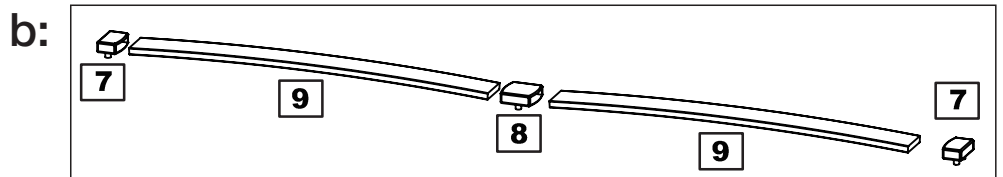
Step 6

Note: Power socket for the TV is not to be used for any other equipment because it is not a permanent supply, it cuts off power to the TV when it is down in the starting position. When TV rises up, power is then restored.

a:

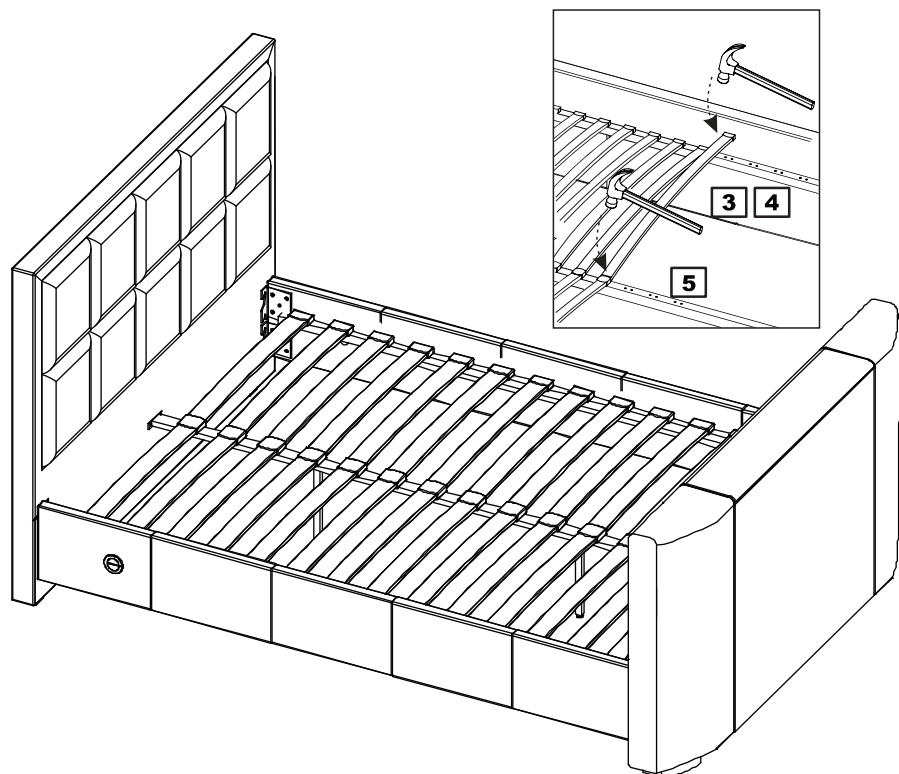


b: Fit bentwood slats **9** to both sides of double plastic caps **8**. Locate single plastic caps **7** to the ends of bentwood slats **9**.



Carefully locate the slat assemblies into position in between the side rails.

Align the lugs on the underside of the plastic caps and tap gently with a light hammer, until they are securely engaged.



Assembly is complete.

If you need help or have damaged or missing parts, call the **Customer Helpline: 0345 6400 800** Home Retail Group, 489-499 Avebury Boulevard, Saxon Gate West, Central Milton Keynes, MK9 2NW