

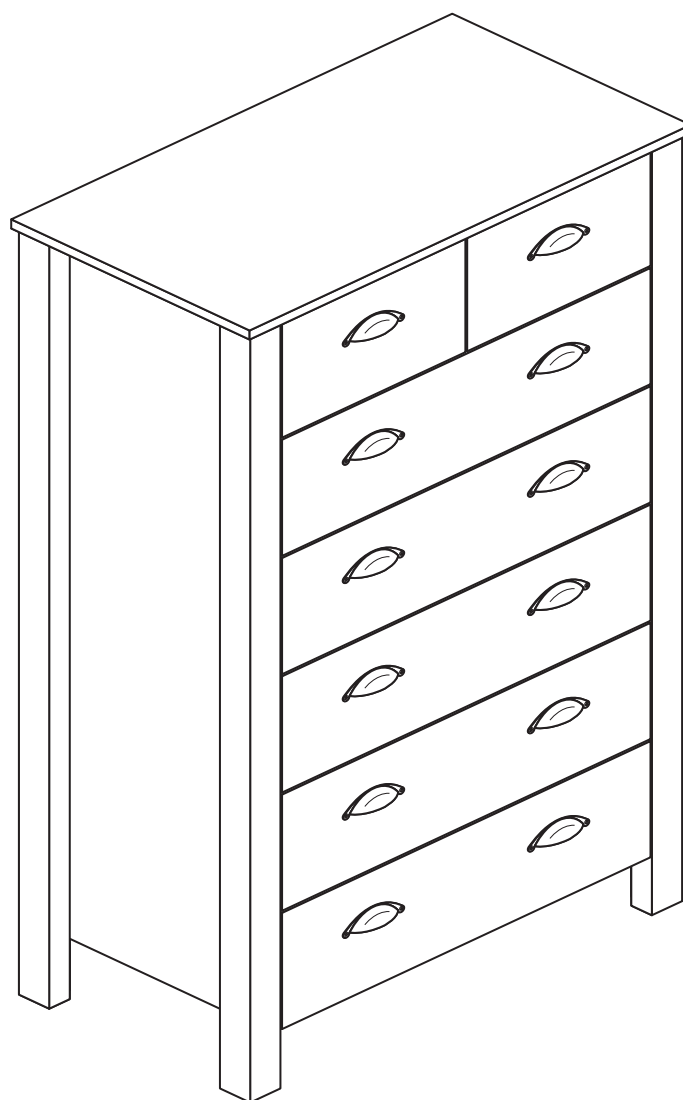
Marlow - 5+2 Drawer Chest

Assembly Instructions - Please keep for future reference

424/1195

400/8785

402/4886



Dimensions

Width - 72.9cm

Depth - 39.4cm

Height - 128.5cm



**MADE IN
BRITAIN**

Important - Please read these instructions fully before starting assembly

If you need help or have damaged or missing parts, call the **Customer Helpline: 03456 400800**



Safety and Care Advice

Important - Please read these instructions fully before starting assembly

- **Warning:** This unit weighs approximately 45kgs. Please lift with care.

- Check you have all the components and tools listed on pages 2 and 3.

- Remove all fittings from the plastic bags and separate them into their groups.

- Keep children and animals away from the work area, small parts could choke if swallowed.

- Parts of the assembly will be easier with 2 people.

- Make sure you have enough space to layout the parts before starting.

- Do not stand or put weight on the product, this could cause damage.

- Assemble the item as close to its final position (in the same room) as possible.

- Assemble on a soft level surface to avoid damaging the unit or your floor (use opened out unit carton).



- We do not recommend the use of power drill/drivers **for inserting screws**, as this could damage the unit. Only use hand screwdrivers.

- **Safety note:** It is recommended that this unit is secured to a wall using the overbalance protector kit supplied or, an alternative fixing method of your choice.

- Dispose of all packaging carefully and responsibly.

Care and maintenance

- Only clean using a damp cloth and mild detergent, do not use bleach or abrasive cleaners.

- From time to time check that there are no loose screws on this unit.

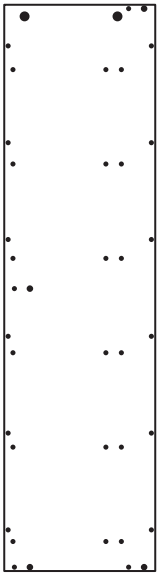
- This product should not be discarded with household waste. Take to your local authority waste disposal centre.

Note: If required the next page can be cut out and used as reference throughout the assembly. Keep this page with these instructions for future reference.

Components - Panels

If you have damaged or missing components, call the **Customer Helpline: 03456 400800** quoting the reference numbers below

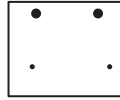
Please check you have all the panels listed below



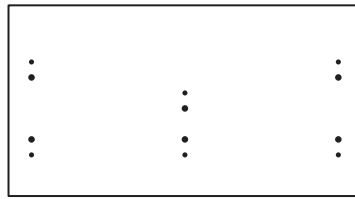
1 Left Side (DF3878)
(117 x 31.2cm)



2 Right Side (DF3879)
(117 x 31.2cm)



3 Divider (DF3680)
(19.5 x 23.6cm)



4 Top (DF3603)
(72.9 x 39.4cm)



7 Leg (DF3881)
(127 x 5cm) x 4



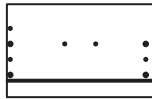
5 Front Rail (DF3606)
(61.5 x 7.8cm) x 2



6 Back Rail (DF3741)
(61.5 x 11.9cm) x 2



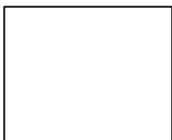
8 Left Drawer Front (DF3678)
(30.3 x 19.2cm)



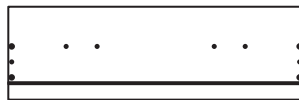
9 Right Drawer Front (DF3679)
(30.3 x 19.2cm)



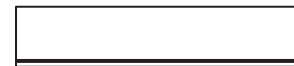
10 Small Drawer Back (W267-124)
(26.7 x 12.4mm) x 2



11 Small Drawer Base (T278-347)
(27.8 x 34.7mm) x 2



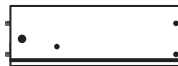
12 Large Drawer Front (DF3607)
(60.9 x 19.2cm) x 5



13 Large Drawer Back (W582-124)
(58.2 x 12.4mm) x 5



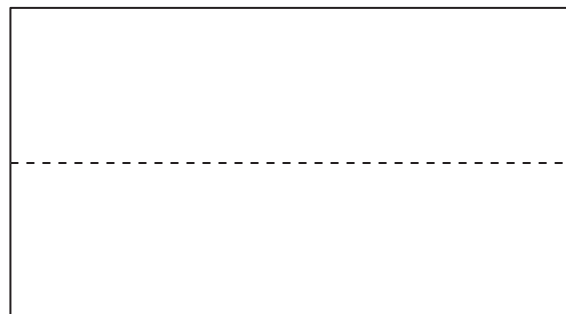
14 Large Drawer Base (T593-347)
(59.3 x 34.7mm) x 5



15 Left Drawer Side (W350-124LH)
(35 x 12.4cm) x 7



16 Right Drawer Side (W350-124RH)
(35 x 12.4cm) x 7



17 Back (X1165-641)
(116.5 x 64.1cm)

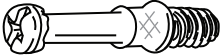



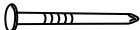








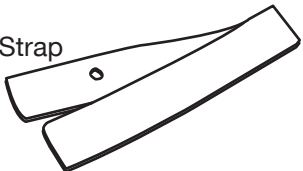




Components - Fittings

If you have damaged or missing components, call the **Customer Helpline: 03456 400800** quoting the reference numbers below

Please check you have all the fittings listed below

Note: The quantities below are the correct amount to complete the assembly. In some cases more fittings may be supplied than are required.

| | | |
|---|--|---|
| <p>A </p> <p>Metal dowel (F901) x 28</p> | <p>B </p> <p>Large locking nut (F900) x 14</p> | <p>C </p> <p>Small locking nut (F3) x 14</p> |
| <p>D </p> <p>Wooden dowel (F22) x 14</p> | <p>E </p> <p>Nail (F51) x 24</p> | <p>F </p> <p>Knock-in Peg (F171GY) x 28</p> |
| <p>G </p> <p>38mm Screw (F81) x 24</p> | <p>H </p> <p>19mm Screw (F461) x 24</p> | <p>I </p> <p>9mm Screw (F73) x 28</p> |
| <p>J </p> <p>9mm Screw (F74) x 14</p> | <p>K </p> <p>Wedgefix (F639) x 24</p> | <p>L </p> <p>Handle (F449) x 12</p> |
| <p>M </p> <p>Drawer runner (F1004) x 14</p> | <p>N </p> <p>Strap</p> | |
| | | <p> Screw  Washer x 2</p> <p>Overbalance protector kit (F269) x 1</p> |

Tools required



Rule



Cross-head screwdriver



Scissors



Hammer

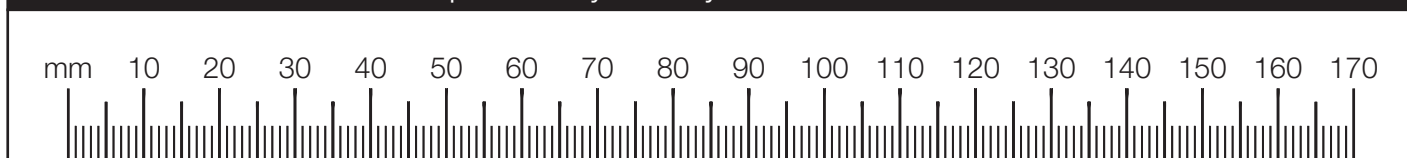


Eye protection (when using a hammer or drill)



Electric drill (do not use for fitting screws)

Ruler - Use this ruler to help correctly identify the screws



Assembly Instructions

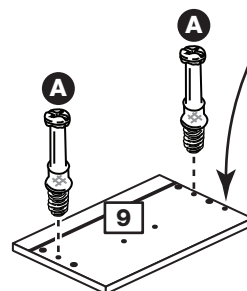
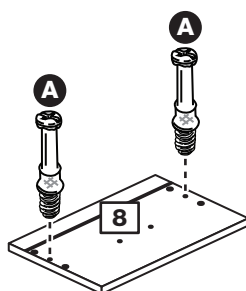
If you have damaged or missing components, call the
Customer Helpline: 03456 400800 quoting the reference
numbers below

Step 1

Prepare the left and right drawer front

Screw 2 metal dowels **A** into the left drawer front **8** and the right drawer front **9**.

Note: Tighten the metal dowels up fully against the panels.



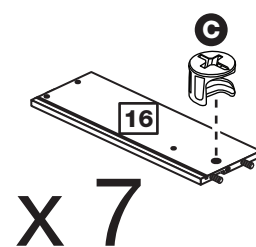
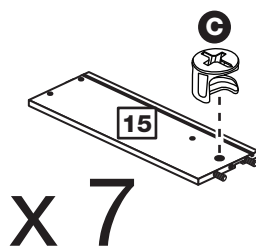
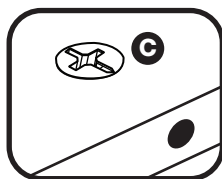
Note: The right drawer front has a small identification hole.

Step 2

Prepare the 7 pair of drawer sides

Insert a small locking nut **C** into the hole shown on the left drawer side **15** and the right drawer side **16**.

Note: The arrow on the locking nut **must** point towards the hole in the edge of the panel.



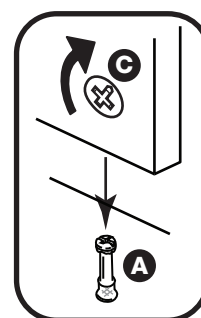
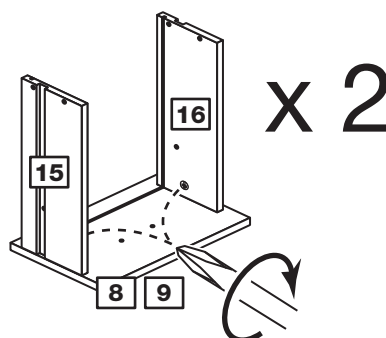
Step 3

Attach the drawer sides to the left and right drawer front

Push the left drawer sides **15** and right drawer sides **16** onto the back of the left and right drawer fronts **8** and **9**.

Turn the small locking nuts **C** on the left drawer side **15** and right drawer side **16**.

Note: Turn the locking nuts **C** clockwise to secure panels - more than 1/2 a turn.

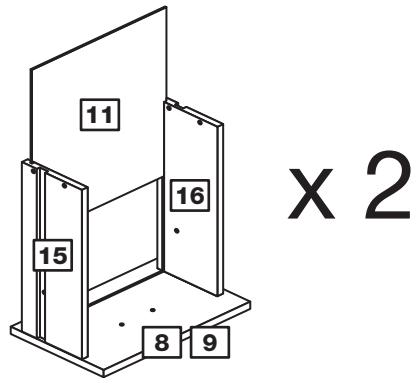


Assembly Instructions

Step 4

Fit the small drawer base

Slide the small drawer base **11** down the grooves in the drawer sides **15** and **16** and down into the groove in the left and right drawer front **8** and **9**.

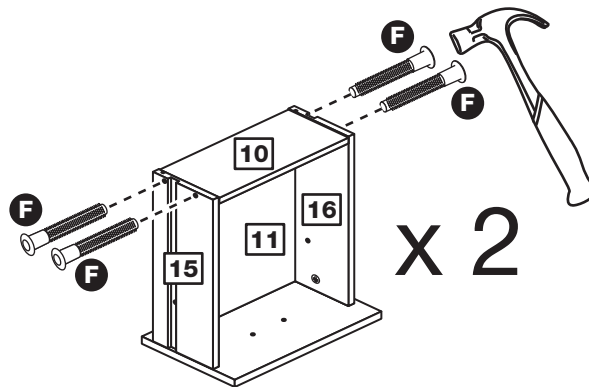


Step 5

Fit the small drawer back

Fit the small drawer back **10** between the drawer sides **15** and **16**. Make sure that the small drawer base **11** fits into the groove in the small drawer back **10**.

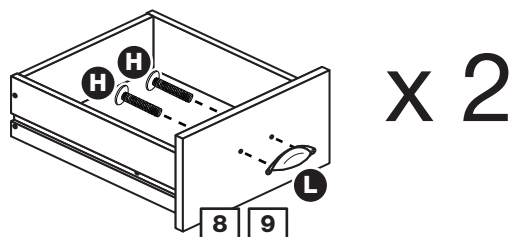
Hold the small drawer back **10** in position and tap the knock-in pegs **F** through the holes in the drawer sides **15** and **16**.



Step 6

Attach the handles

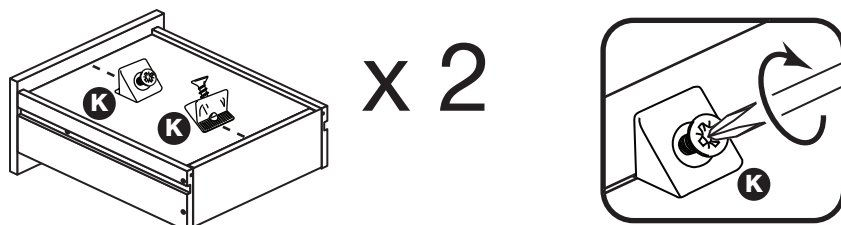
Attach a handle **L** to the left and right drawer front **8** and **9** using screws **H**.



Step 7

Fit the wedgifixes

Turn the drawer assemblies over and slide 2 wedgifixes **K** into the front and back grooves, as shown, and tighten up the screws.



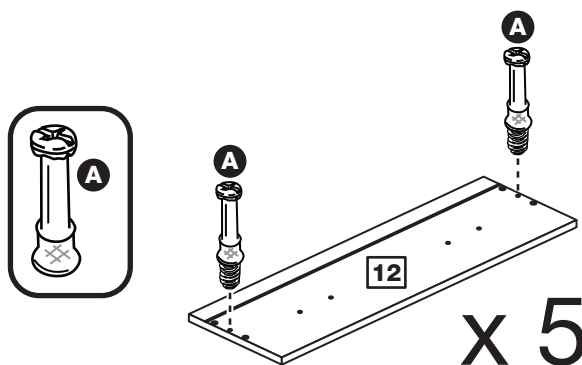
Assembly Instructions

Step 8

Prepare the 5 large drawer fronts

Screw 2 metal dowels **A** into each of the large drawer fronts **12**.

Note: Tighten the metal dowels up fully against the panels.



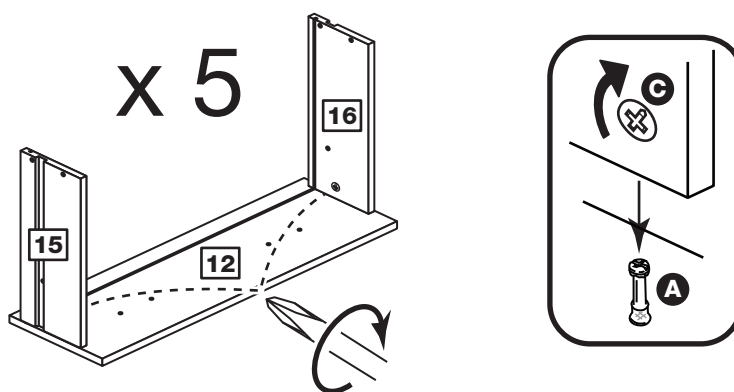
Step 9

Attach the drawer sides to the large drawer fronts

Push the left drawer sides **15** and right drawer sides **16** onto the back of the large drawer fronts **12**.

Turn the small locking nuts **C** on the left drawer side **15** and right drawer side **16**.

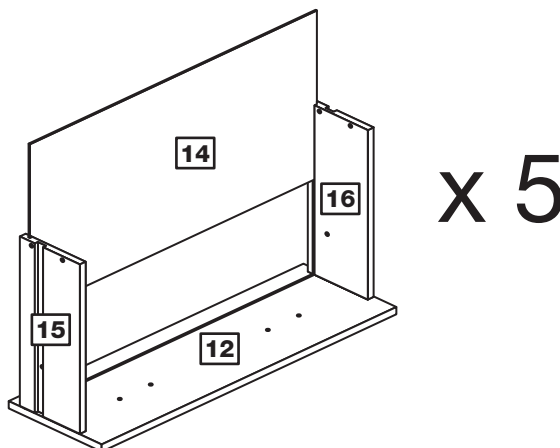
Note: Turn the locking nuts **C** clockwise to secure panels - more than 1/2 a turn.



Step 10

Fit the large drawer base

Slide the large drawer base **14** down the grooves in the drawer sides **15** and **16** and down into the groove in the large drawer front **12**.



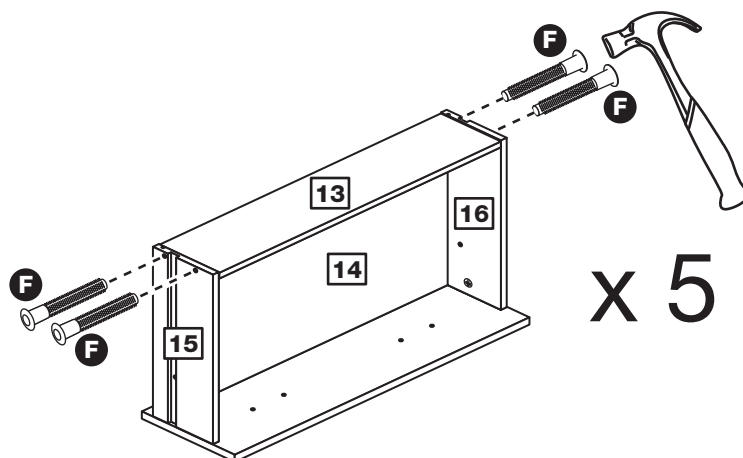
Assembly Instructions

Step 11

Fit the large drawer back

Fit the large drawer back **13** between the drawer sides **15** and **16**. Make sure that the large drawer base **14** fits into the groove in the large drawer back **13**.

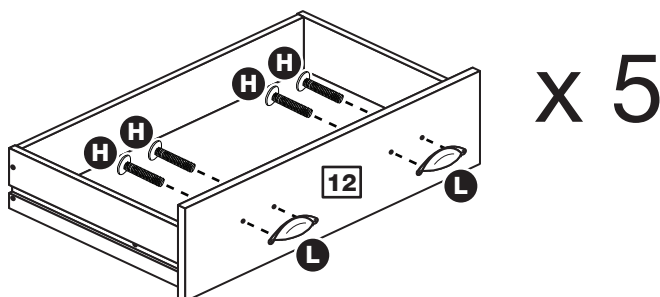
Hold the large drawer back **13** in position and tap the knock-in pegs **F** through the holes in the drawer sides **15** and **16**.



Step 12

Attach the handles

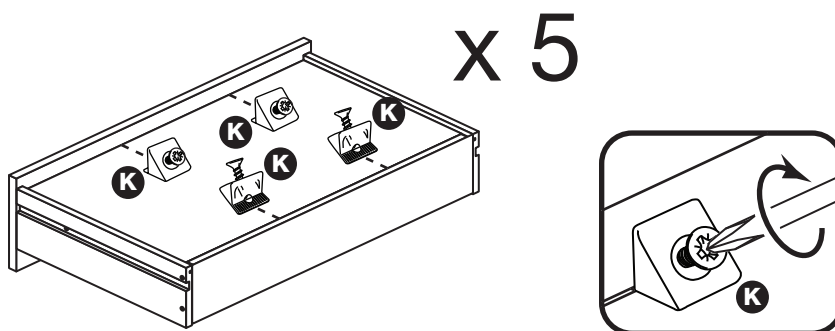
Attach 2 handles **L** to each of the large drawer fronts **12** using screws **H**.



Step 13

Fit the wedgexes

Turn the 5 large drawer assemblies over and slide 4 wedgexes **K** into the front and back grooves, as shown, and tighten up the screws.



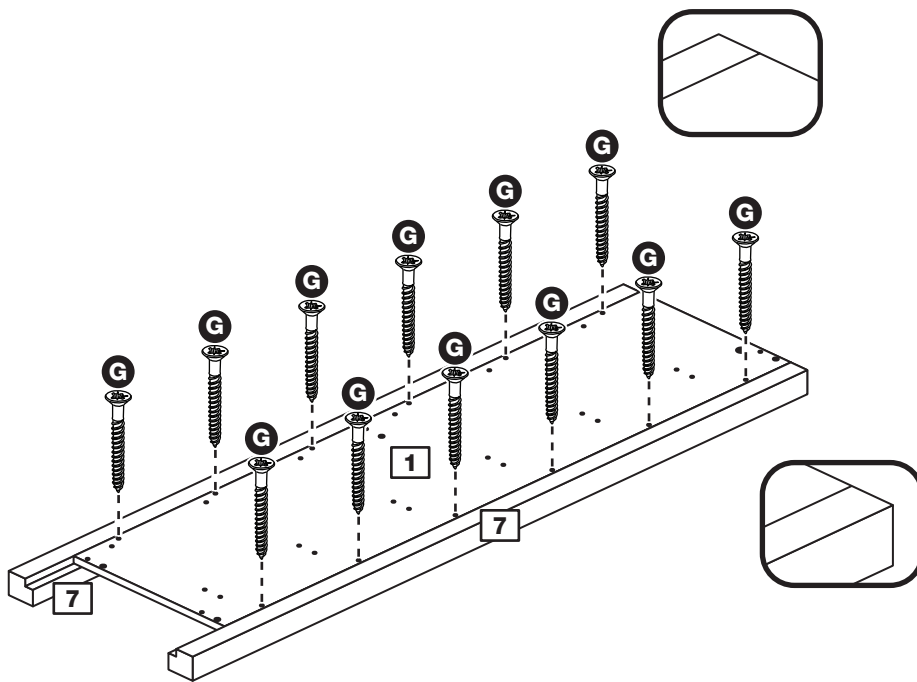
Assembly Instructions

Step 14

Fit 2 legs to the left side

Screw 2 legs **7** to the left side **1** using 12 screws **G**.

Note: The top of the legs must be flush with the top of the left side.

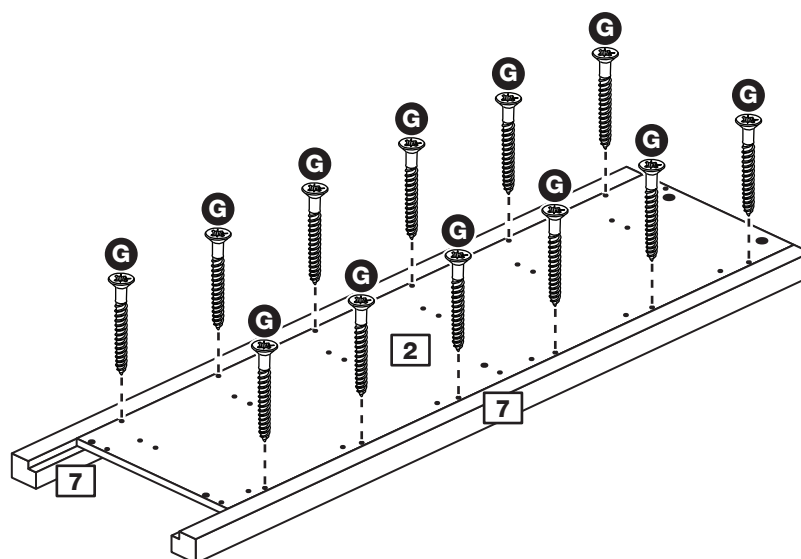


Step 15

Fit 2 legs to the right side

Screw 2 legs **7** to the right side **2** using 12 screws **G**.

Note: The top of the legs must be flush with the top of the right side.



Assembly Instructions

Step 16

Prepare the left side

a: Place 6 runners **M** on the left side **1** as shown. Slide back the top of runner and use the 2nd hole from the front to fit the 1st screw **I**.

b: Slide the runner **M** back the other way and fit the 2nd screw **I** into the corresponding hole in the left side **1**.

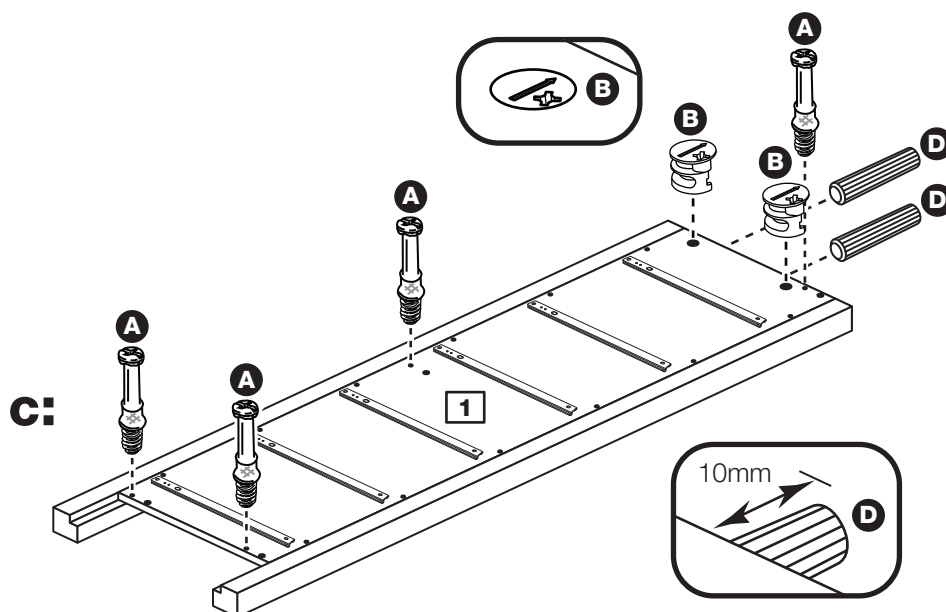
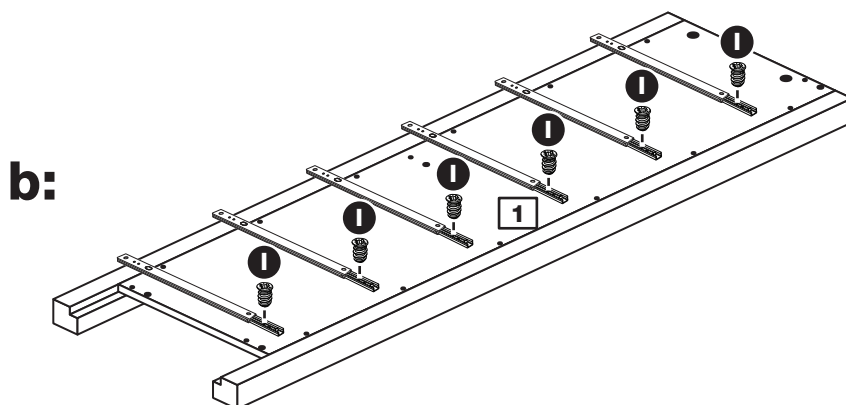
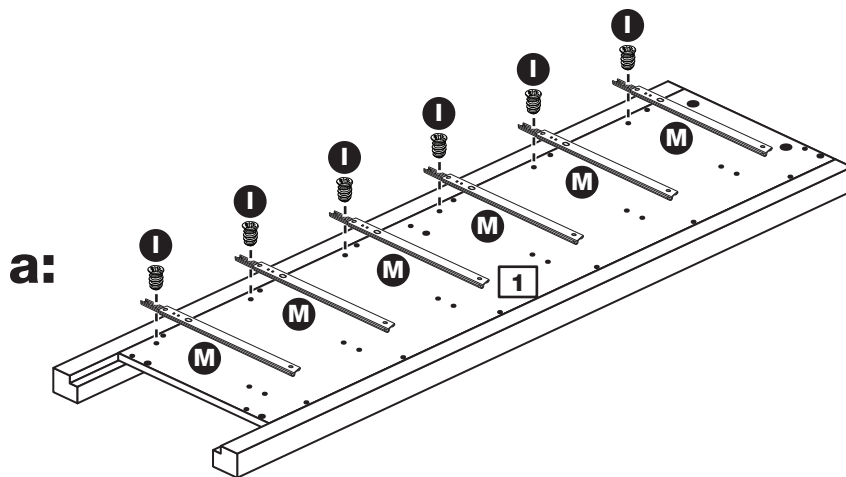
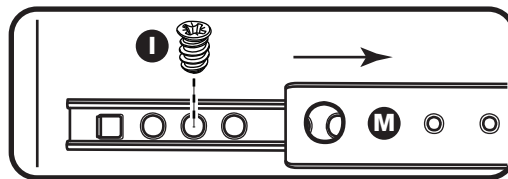
c: Screw 4 metal dowels **A** into the left side **1**.

Insert 2 large locking nuts **B** into the left side **1**.

Note: The arrow on the locking nuts **must** point towards the hole in the edge of the panel.

Tap 2 wooden dowels **D** into the left side **1**.

Note: Wooden dowels **must not** stick out from the edge by more than 10mm or they may damage other panels.



Assembly Instructions

Step 17

Prepare the right side

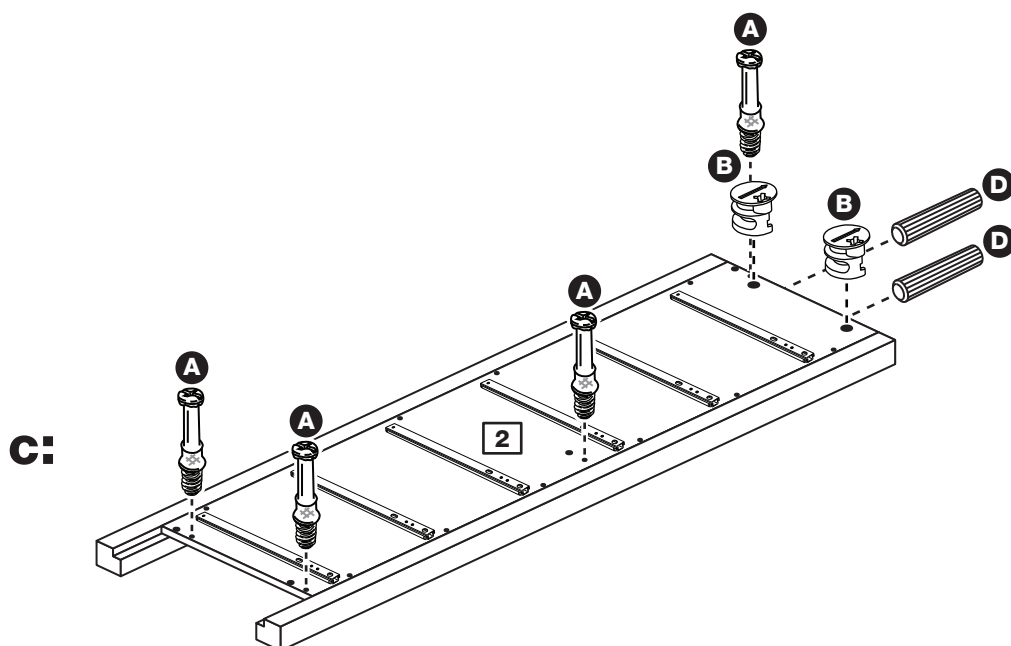
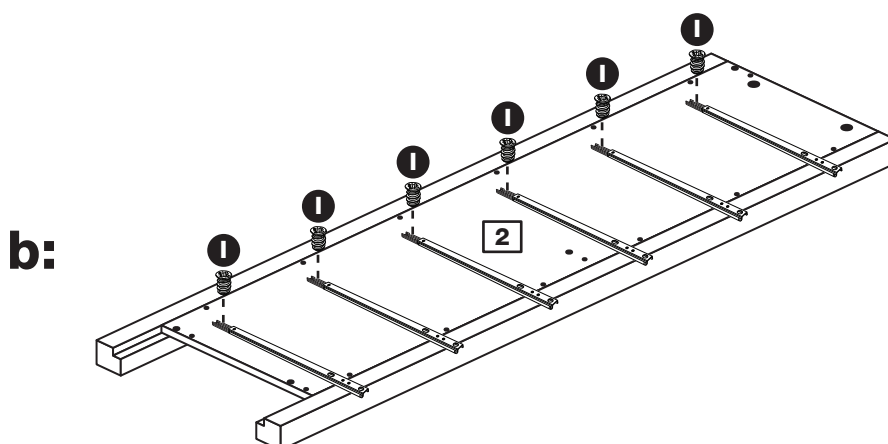
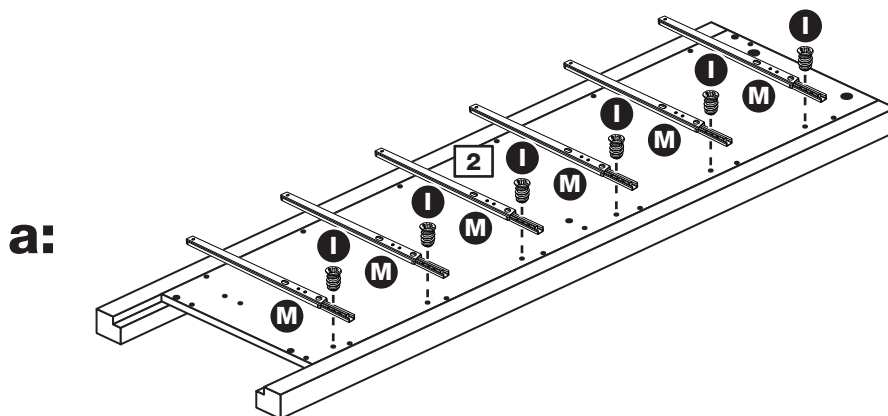
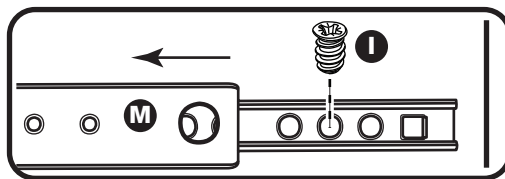
a: Place 6 runners **M** on the right side **2** as shown. Slide back the top of runner and use the 2nd hole from the front to fit the 1st screw **I**.

b: Slide the runner **M** back the other way and fit the 2nd screw **I** into the corresponding hole in the right side **2**.

c: Screw 4 metal dowels **A** into the right side **2**.

Insert 2 large locking nuts **B** into the right side **2**.

Tap 2 wooden dowels **D** into the right side **2**.



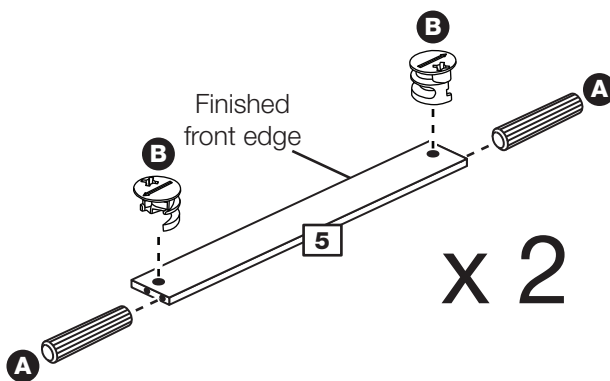
Assembly Instructions

Step 18

Prepare the 2 front rails

Insert 2 large locking nuts **B** into each of the 2 front rails **5**.

Tap 2 wooden dowels **A** into each of the 2 front rails **5**.



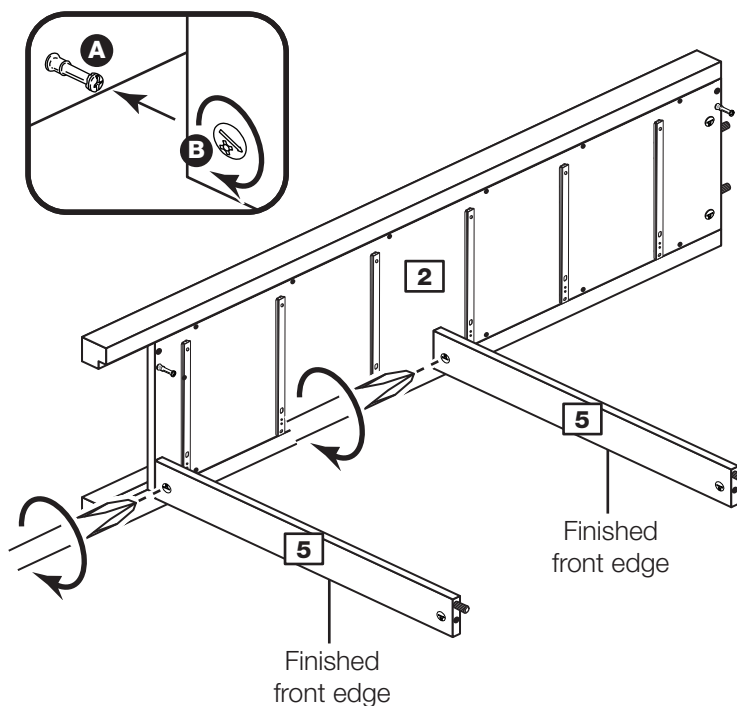
Step 19

Fit the front rails to the right side

Push the 2 front rails **5** onto the right side **2**.

Use a screwdriver to tighten the large locking nut **B** fitted to each of the 2 front rails **5**.

Note: Turn the large locking nuts **B** as far as they will go - more than 1/2 a turn.

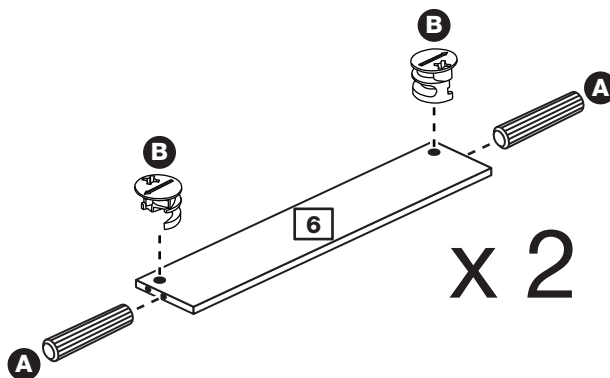


Step 20

Prepare the 2 back rails

Insert 2 large locking nuts **B** into each of the 2 back rails **6**.

Tap 2 wooden dowels **A** into each of the 2 back rails **6**.



Assembly Instructions

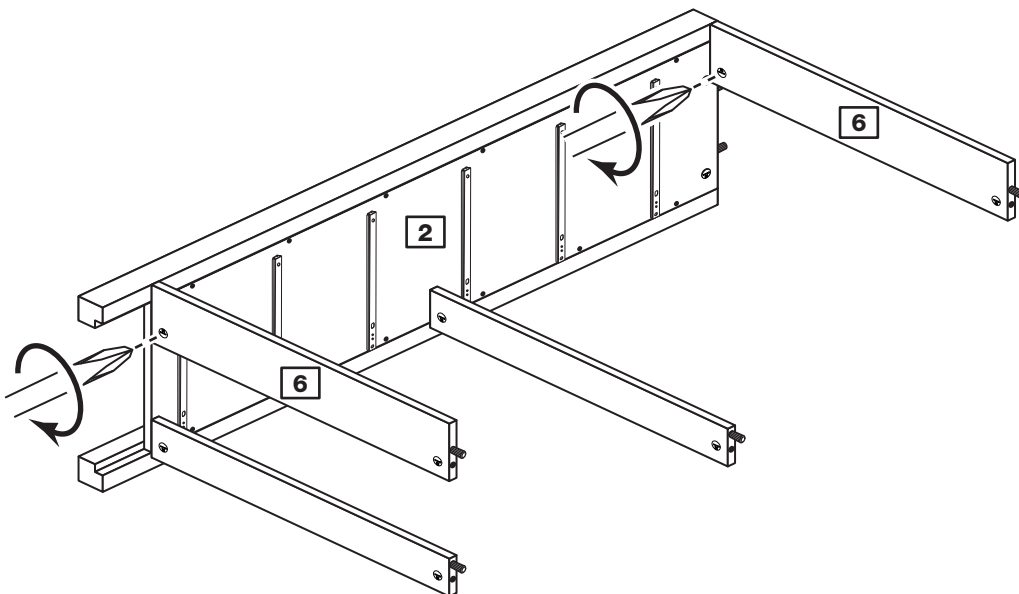
Step 21

Fit the 2 back rails

Push the 2 back rails **6** onto the right side **2**.

Use a screwdriver to tighten the large locking nut **B** fitted to each of the 2 back rails **6**.

Note: Support the 2 back rails until the left side has been fitted in the next step.

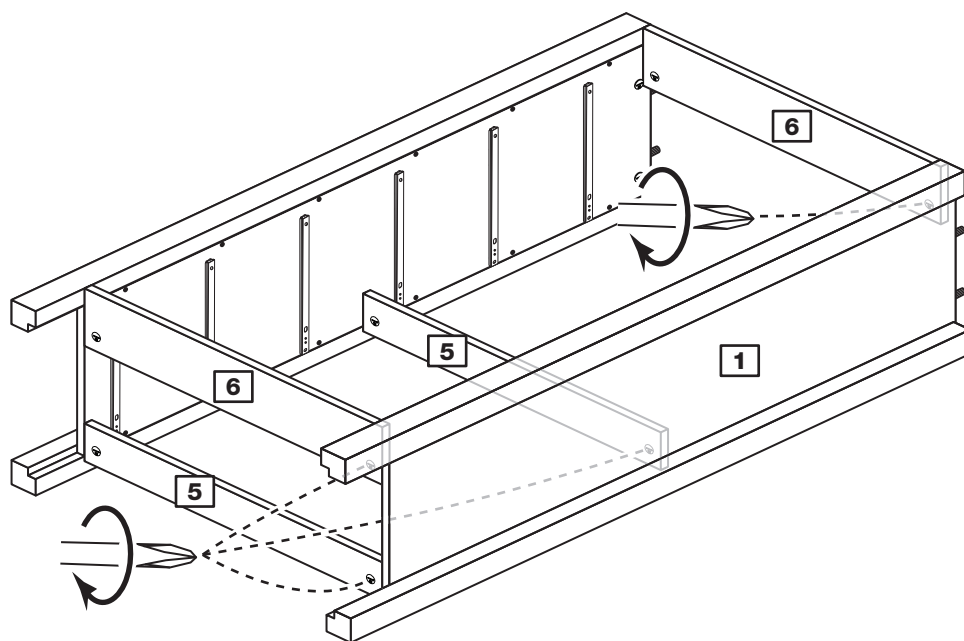


Step 22

Fit the right side

Push the left side **1** onto the 2 front rails **5** and 2 back rails **6**.

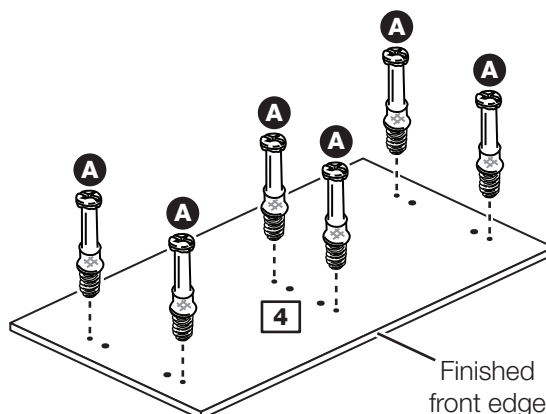
Use a screwdriver to tighten the large locking nut **B** fitted to each of the 2 front rails **5** and 2 back rails **6**.



Step 23

Prepare the top

Screw 6 metal dowels **A** into the top **4**.



Assembly Instructions

Step 24

Prepare the divider

Note: Due to the manufacturing process, the 2 holes for the large locking nuts can be on either surface of the divider.

a: Place a runner **M** on the divider **3** as shown. Slide back the top of runner and use the 2nd hole from the front to fit the 1st screw **I**.

b: Slide the runner **M** back the other way and fit the 2nd screw **I** into the corresponding hole in the divider **3**.

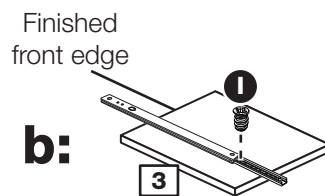
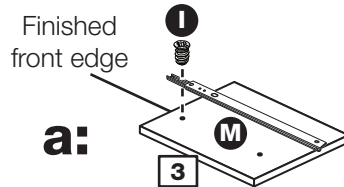
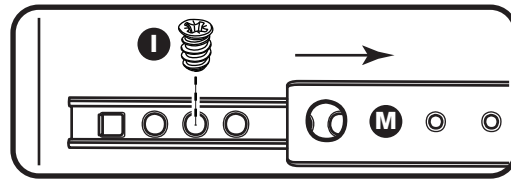
Turn the divider over

c: Place a runner **M** on the divider **3** as shown. Slide back the top of runner and use the 2nd hole from the front to fit the 1st screw **I**.

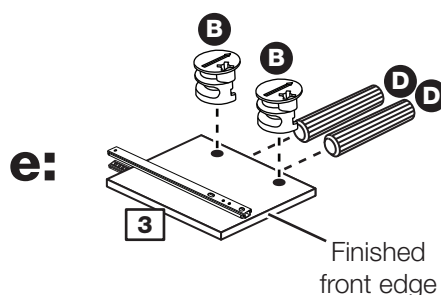
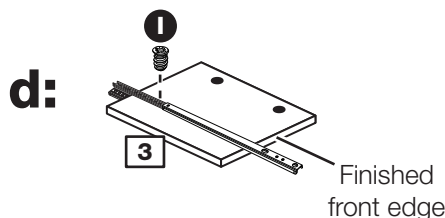
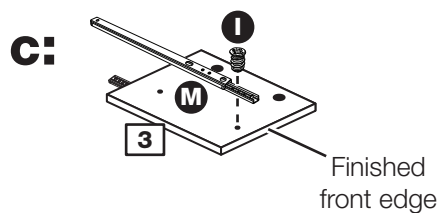
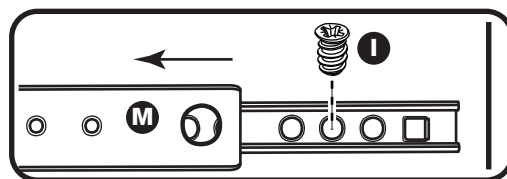
d: Slide the runner **M** back the other way and fit the 2nd screw **I** into the corresponding hole in the divider **3**.

e: Insert 2 large locking nuts **B** into the divider **3**.

Tap 2 wooden dowels **D** into the divider **3**.



Turn the divider over



Assembly Instructions

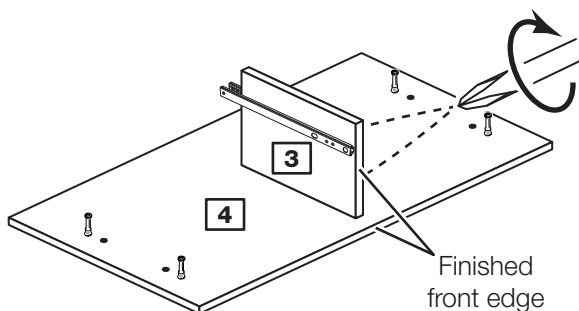
Step 25

Fit the divider to the top

Push the divider **3** onto the top **4**.

Use a screwdriver to tighten the 2 large locking nuts **B** fitted to the divider **3**.

Remember: The large locking nuts can be on either surface of the divider.

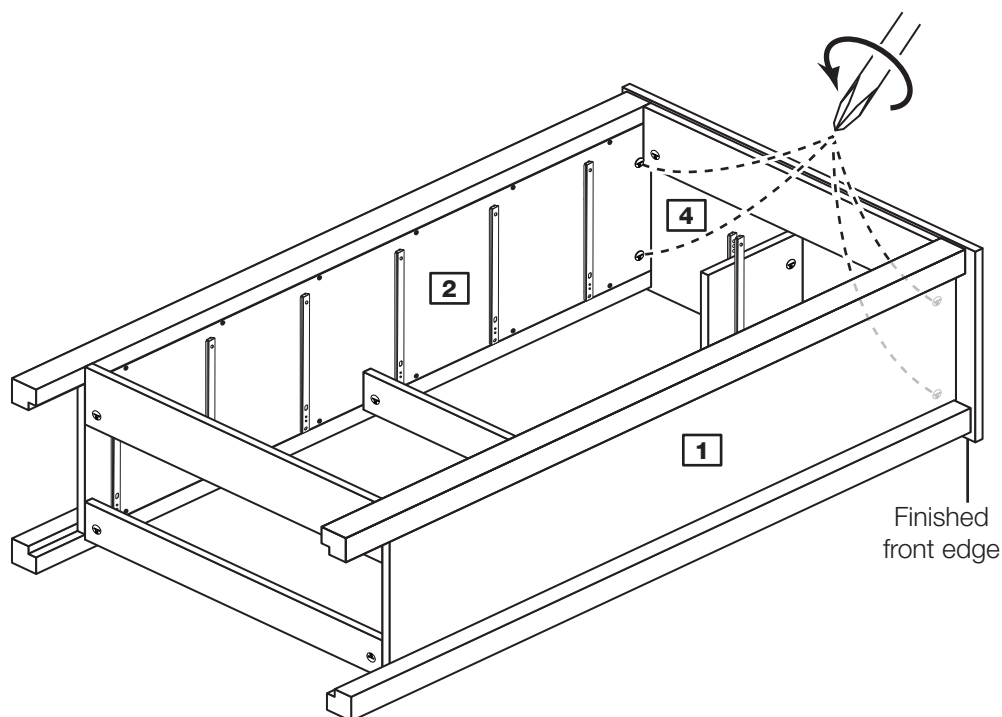


Step 26

Fit the top

Push the top **4** down onto the assembly.

Use a screwdriver to tighten the 2 large locking nuts **B** fitted to the left side **1** and the 2 large locking nuts **B** fitted to the right side **2**.



Assembly Instructions

Step 27

Fit the back

a: Square up the unit by making sure that measurement **x** to **x** equals **y** to **y**.

b: Place the back **17** onto the unit.

Nail **E** around the outside edges of the back **17**.

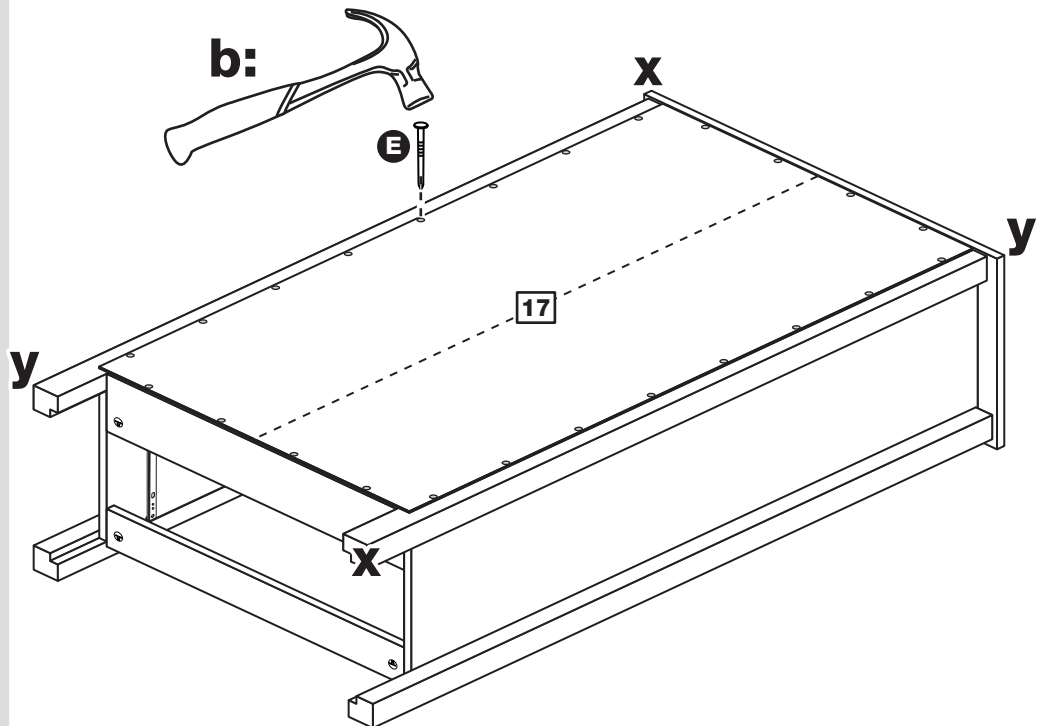
Note: Nails should be spaced about 150mm apart.

Stand the unit up for the next step.



Warning: The unit is heavy. Lift with care.

a: The measurement from top corner X to bottom corner X must be equal to the measurement from top corner Y to bottom corner Y



Step 28

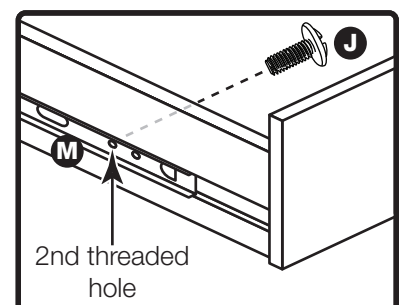
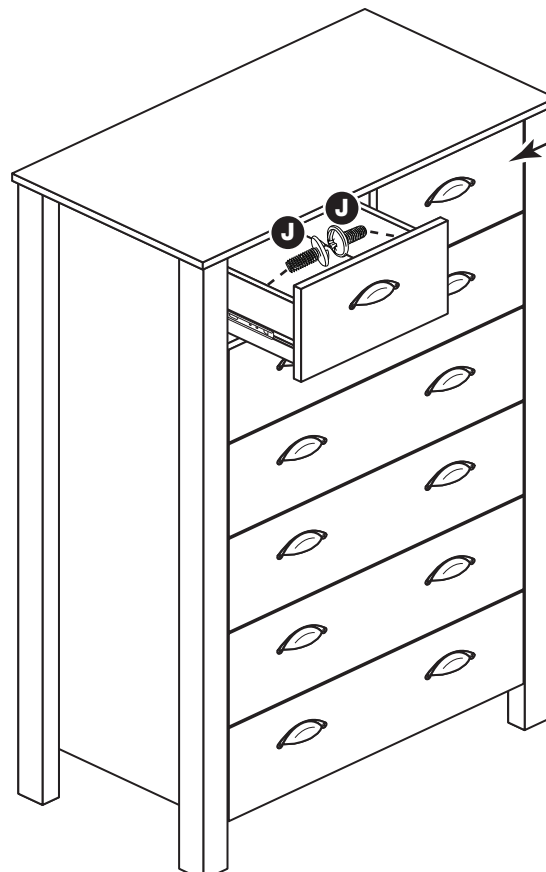
Fit the drawers

Starting with the bottom drawer, slide both the runners **M** forward and locate the drawer sides **15** and **16** between them, lining up the holes in the drawer wrap with the 2nd 'threaded' holes in the runners **M**.

Working from the inside of the drawer, insert 2 screws **J** through the drawer sides and out into the 2nd threaded hole in the runner.

Remember: The right drawer front has a small identification hole (refer to Step 1).

Note: Do not overtighten the screws **J**. If they catch on the runner you may need to loosen them slightly.



Assembly Instructions

Step 29

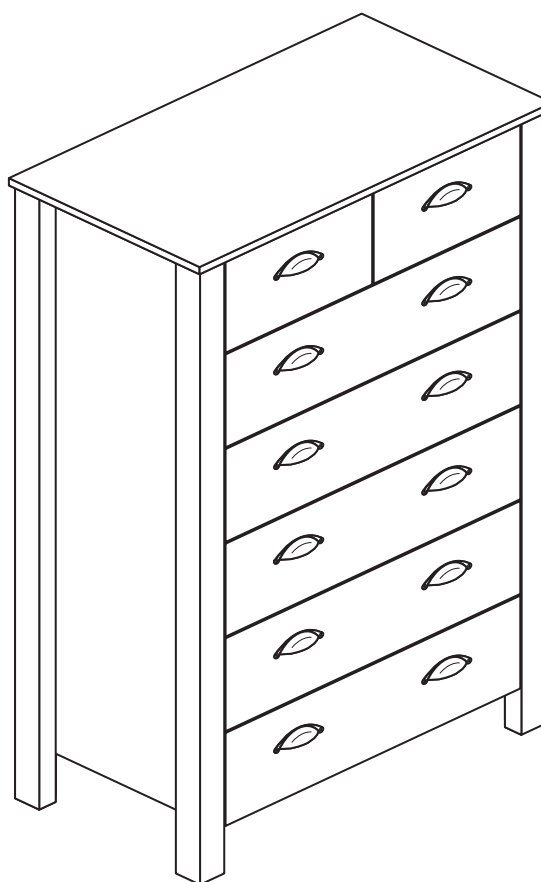
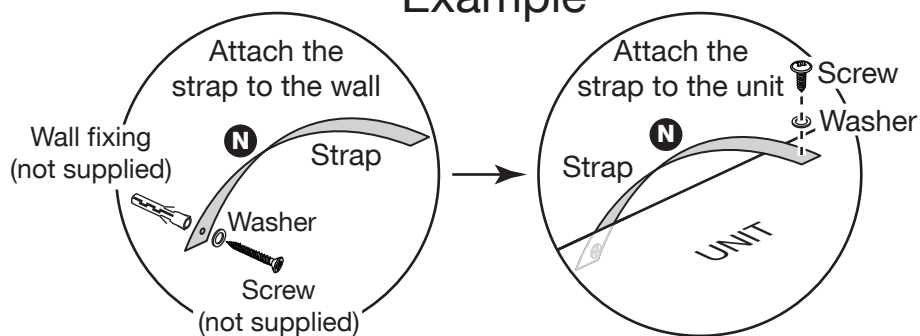
Fit the overbalance protector kit

To prevent possible overbalancing we recommend that this unit is secured to a suitable wall by fitting of the overbalance protector kit **N** to the unit, or an alternative fixing method of your choice.

Wall fixings are not supplied as they will need to suit the wall type.

Note: Take care when drilling the wall that you do not drill into any pipes, wires etc. If in doubt, consult an expert.

Example



If you need help or have damaged or missing parts, call the **Customer Helpline: 03456 400800** and quote the reference numbers on the component pages.

Argos Ltd, 489-499 Avebury Boulevard, Central Milton Keynes, MK9 2NW

