

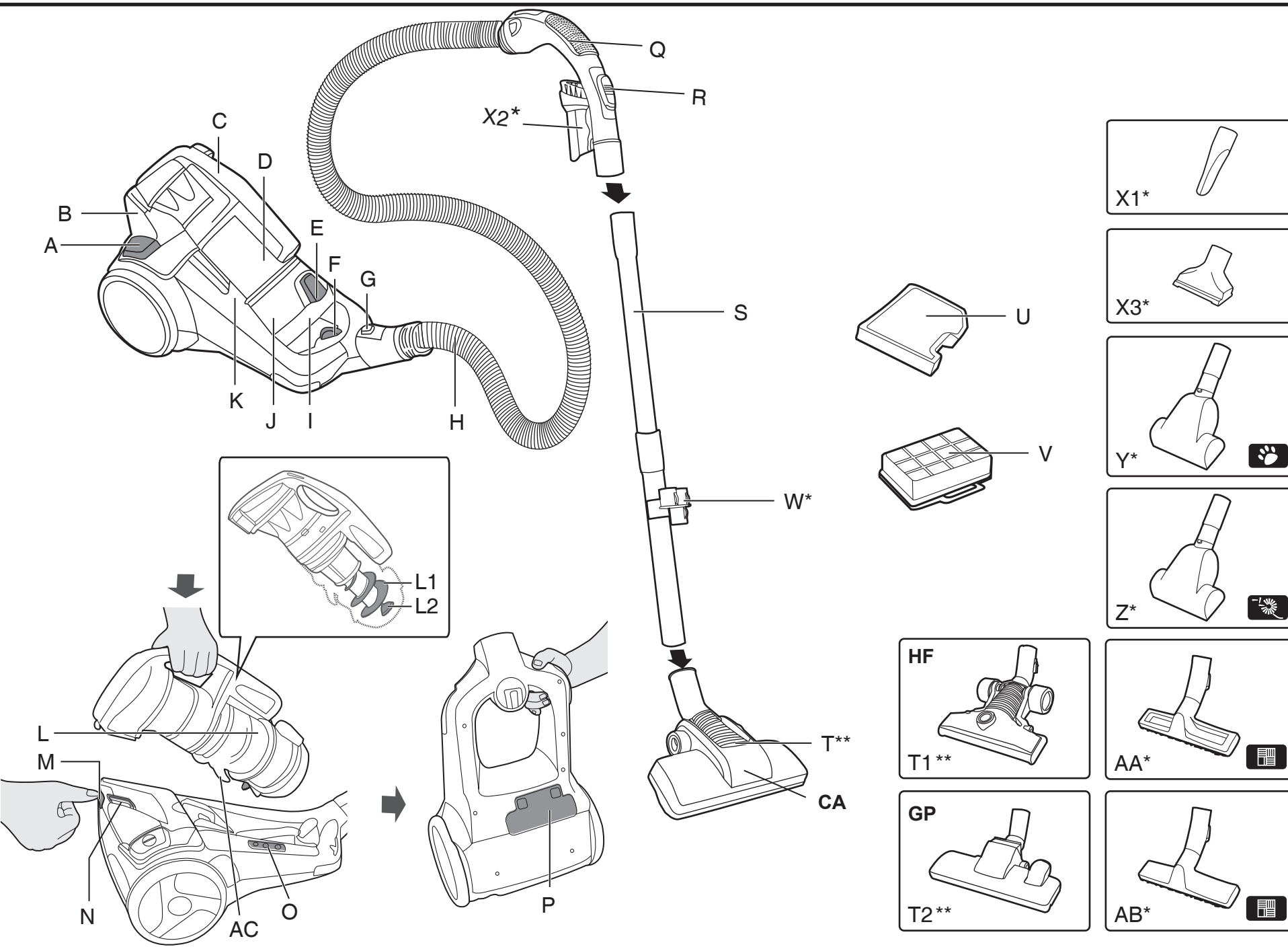


HOOVER

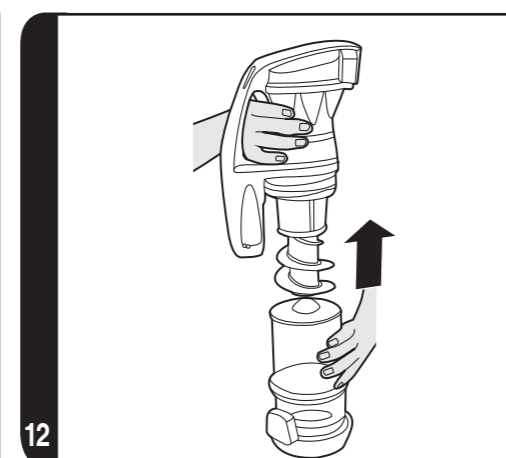
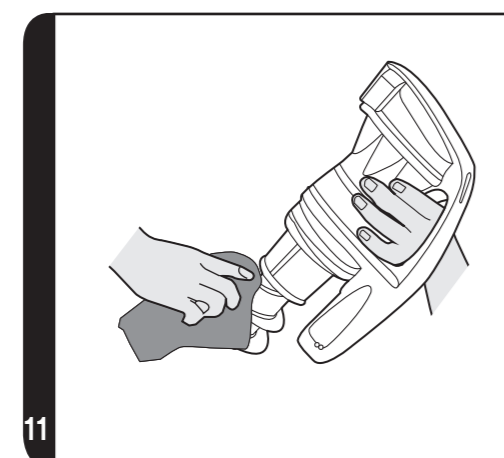
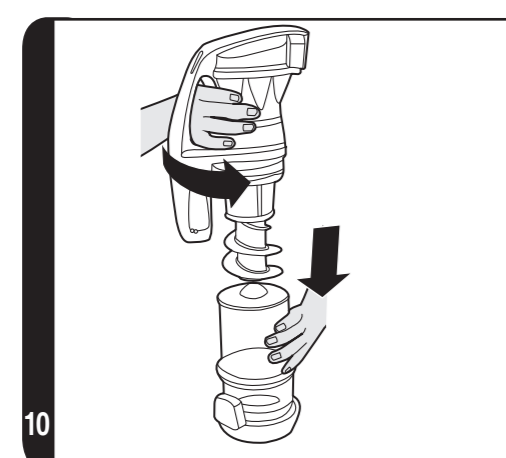
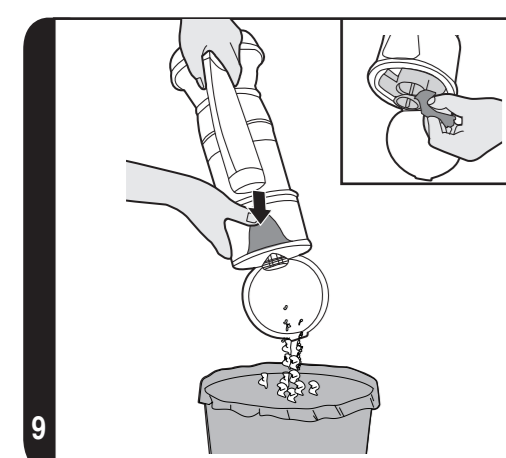
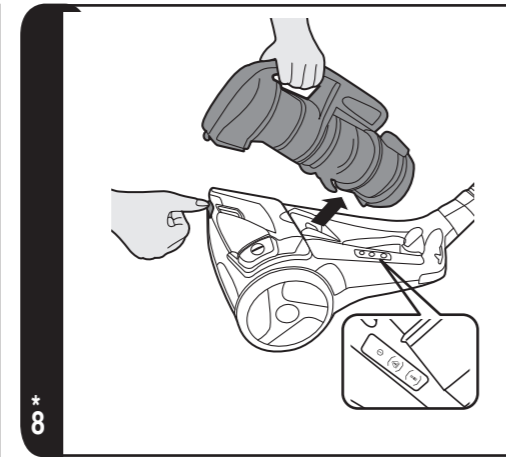
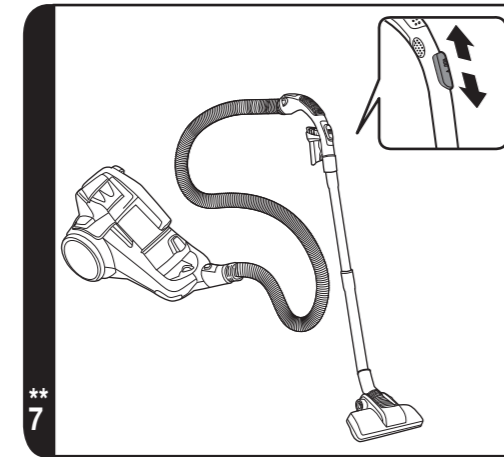
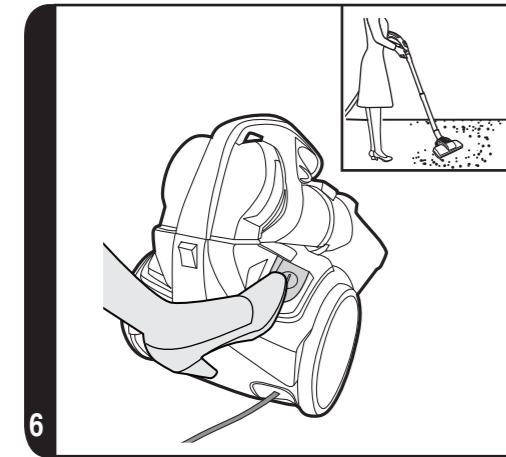
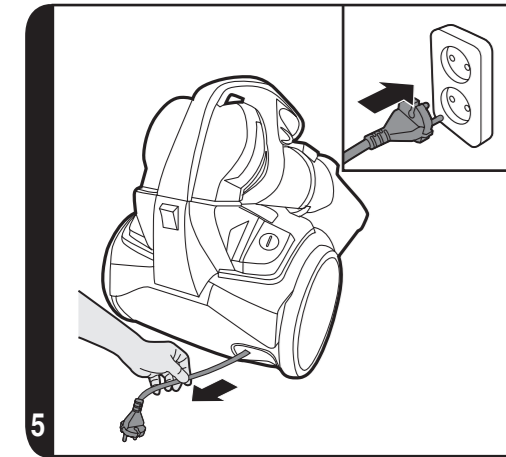
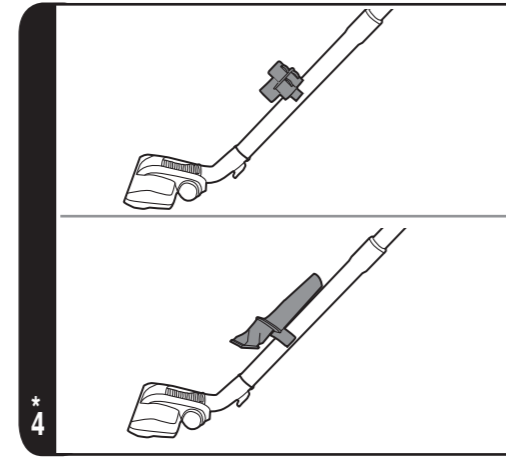
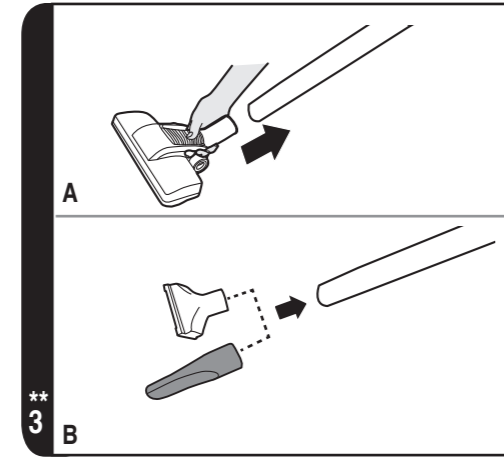
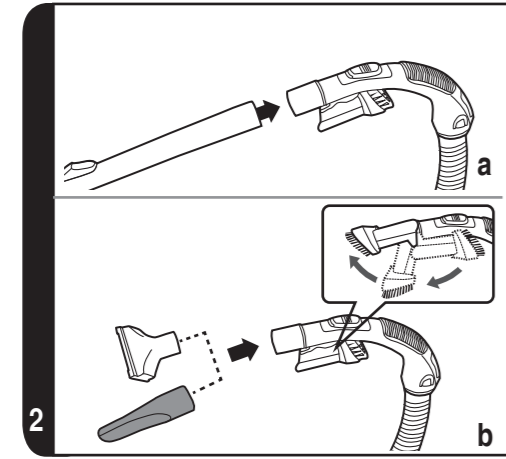
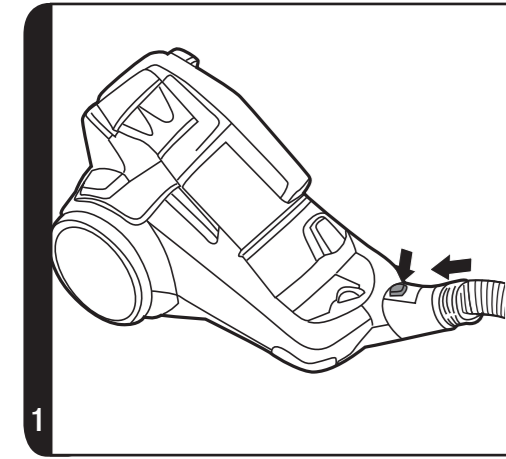


USER MANUAL

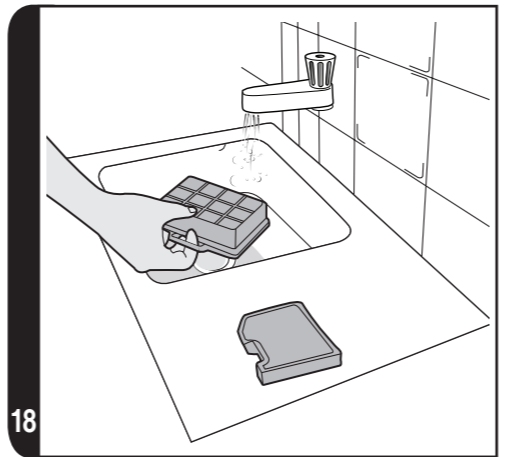
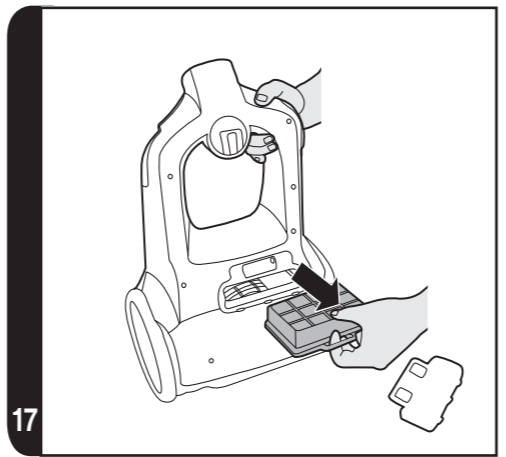
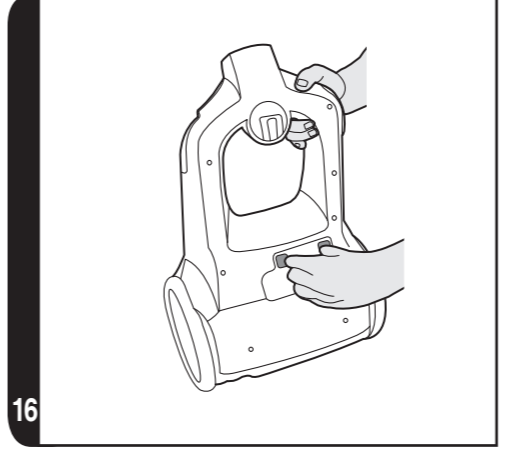
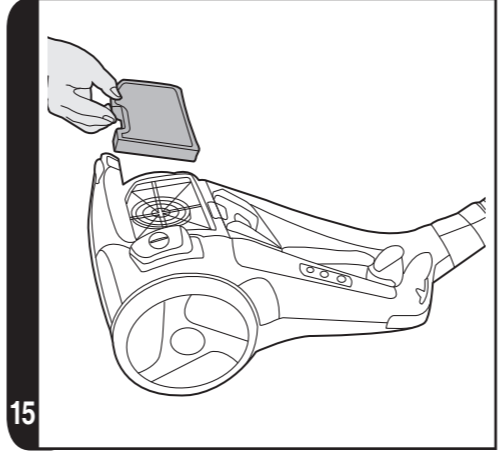
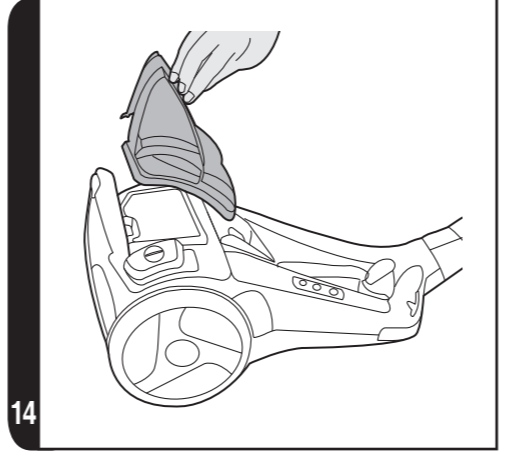
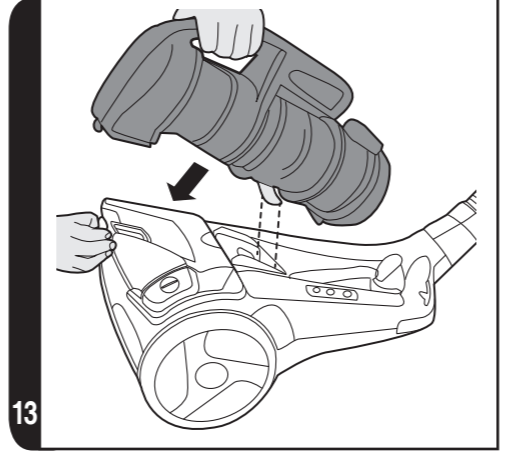
PRINTED IN P.R.C.
48016141/01



*Certain Models Only **Nozzle design may vary according to models



*Certain Models Only **Nozzle design may vary according to models



*Certain Models Only **Nozzle design may vary according to models



INSTRUCTIONS FOR SAFE USE

This appliance should only be used for domestic cleaning, as described in this user guide. Please ensure that this guide is fully understood before operating the appliance.

Do not leave the appliance plugged in. Always switch off and remove the plug from the socket after use, or before cleaning the appliance or any maintenance task.

This appliance can be used by children aged from 8 years and above and persons with reduced physical, sensory or mental capabilities or lack of experience and knowledge if they have been given supervision or instruction concerning use of the appliance in a safe way and understand the hazards involved. Children shall not play with the appliance. Cleaning and user maintenance shall not be made by children without supervision.

If the power cord is damaged stop using the appliance immediately. To avoid a safety hazard, an authorised HOOVER service engineer must replace the power cord.

Keep hands, feet, loose clothing and hair away from rotating brushes.

Use only attachments, consumables or spares recommended or supplied by HOOVER.

Static electricity: Some carpets can cause a small build up of static electricity. Any static discharge is not hazardous to health.

Do not use your appliance out of doors or on any wet surface or for wet pick up.

Do not pick up broken glass or other sharp objects, matches, hot ashes, cigarette ends or other similar items.

Do not spray with or pick up flammable liquids, cleaning fluids, aerosols or their vapours.

Do not run over the power cord when using your appliance or remove the plug by pulling on the power cord.

Do not continue to use your appliance if it appears faulty.

Do not open the bin flap or press the bin flap release button when cleaner is working.

HOOVER service: To ensure the continued safe and efficient operation of this appliance we recommend that any servicing or repairs are only carried out by an authorised HOOVER service engineer.


Do not stand on or wrap the cord around arms or legs when using your appliance.

Do not use the appliance to clean animals or people.

Do not position the appliance above you when cleaning the stairs.

Do not use to pick up sand, masonry dust or other construction materials.

The Environment

The symbol on this appliance indicates that this appliance may not be treated as household waste. Instead it must be handed over to the applicable collection point for the recycling of electrical and electronic equipment. Disposal must be carried out in accordance with local environmental regulations for waste disposal.  For more detailed information about treatment, recovery and recycling of this appliance, please contact your local city office, your household and waste disposal service or the shop where you purchased the appliance.

 This appliance complies with the European Directives 2006/95/EC, 2004/108/EC and 2011/65/EU.

HOOVER Limited, Pentrebach, Merthyr Tydfil, Mid Glamorgan, CF48 4TU, UK

GETTING TO KNOW YOUR CLEANER

- | | |
|---------------------------------|--|
| A. On/Off Pedal | Q. Hose Handle |
| B. Pre-motor Filter Cover | R. Suction Regulator |
| C. Bin Handle | S. Telescopic Tube |
| D. Inner Bin Body | T. Carpet Nozzle (CA)** |
| E. Bin Flap Release Button | T1. Hard Floor Nozzle (HF)** |
| F. Full Bin Mechanical Detector | T2. Carpet and Floor Nozzle (GP)** |
| G. Hose End Latch Button | U. Pre-motor Filter |
| H. Hose | V. Exhaust Filter |
| I. Bin Flap | W. Accessory Holder* |
| J. Outer Bin Body | X. Accessory Set* |
| K. Main Cleaner | X1. Crevice Tool* |
| L. Dust Container | X2. Dusting Brush* |
| L1. Auger | X3. Furniture Nozzle* |
| L2. Fine dust tube (FDT) Flap | Y. Pet Hair Remover Mini Turbo Nozzle* |
| M. Bin Release Latch | Z. Allergy Remover Mini Turbo Nozzle* |
| N. Pre-motor Filter Cover Latch | AA. Parquet Nozzle* |
| O. Display Panel* | AB. Parquet Extra Nozzle* |
| P. Exhaust Filter Cover | AC. Bin Hook |

ASSEMBLING YOUR CLEANER

Remove all components from the packaging.


1. Connect the hose to the cleaner main body, ensuring it clips and locks into position. To release the hose: simply press the hose end latch button on the hose end and pull. [1]
2. Connect the hose handle to the end of the extension tube upper [2a], or accessories if required. [2b]
3. Connect the extension tube lower to the carpet or floor nozzle [3a] or accessories if required. [3b]
4. The cleaning accessory tools can be stored after use on the underside of the extension tube, using the accessory holder provided. [4]


USING YOUR CLEANER

Before using your cleaner, please note it has an electronic display panel which has 3 icons. (Certain Models do not have an electronic display panel, please refer to (e)*)

(a)  Power indicator, this will illuminate once cleaner is connected to the mains supply.

*Certain Models Only ** Certain models only, nozzles may vary according to model

(b)  Blocked compaction unit, this symbol will illuminate if there is debris in the bin that is blocking the auger [L1] from rotating.

(c)  Bin full, this will illuminate when the bin has reached its maximum capacity and needs to be emptied.

(d) All 3 icons will illuminate if there is no connection between the bin and main body. Please remove and replace the bin ensuring it is positioned correctly.

(e)* If you hear an alarm sound, please check if:

-The bin is full.

-The bin if not fitted properly

-The auger is blocked

IMPORTANT: Each time the bin is removed from the main body, empty the bin and ensure the FDT flap [L2] is free from hair and debris [9].

1. Extract power cord and plug it into the power supply. Do not pull the cord beyond the red marker. [5]
2. Select nozzle most suitable for flooring type
Please see Accessories section below for further guidance.
3. Switch the cleaner on by pressing the on/off Pedal on the cleaner main body. [6]
- 3.1 Adjust the suction by moving the suction regulator on the hose handle to the desired level. [7]
4. Switch off the cleaner at the end of use by de-pressing the on/ off pedal. Unplug and pull the power cord away from the cleaner body and release, this will enable the power cord to return back inside the cleaner.

ACCESSORIES

To obtain the best performance and energy efficiency #1 it is recommended that the correct nozzles are used for the main cleaning operations. These nozzles are indicated in the diagrams by the letters **GP**, **HF** or **CA**.

A nozzle type **GP** can be used to clean both carpet and hard floor.

A nozzle type **HF** is suitable for use only on hard floor.

A nozzle of type **CA** is suitable for use only on carpet.

The other nozzles are accessories for specialist cleaning tasks and are recommended for occasional use only.

It is important to note that this vacuum cleaner is supplied with an Energy Label as required by European Regulation (EU) 665/2013.

If the label shows a red prohibition circle on the left covering the carpet symbol, then this indicates that the vacuum cleaner is not suitable use on carpets.

If the label shows a red prohibition circle on the right covering the hard floor symbol, then this indicates that the vacuum cleaner is not suitable for use on hard floors.

#1 **NOTE:** Dust pick up ability carpet, dust pick up ability hard floor, and energy efficiency in accord with Commission Regulations (EU) 665/2013 and (EU) 666/2013.

All accessories can be fitted to the end of the hose handle or to the end of the fixed tube (except for dusting brush).

The Crevice Nozzle and Furniture nozzle are stored on the tube, while the Dusting brush is stored underneath the hose handle.

Crevice Tool* – For corners and hard to reach areas. [X1]

Furniture Nozzle* – For soft furniture and fabrics.[X3]

Dusting Brush* – For bookshelves, frames, keyboards and other delicate areas. To extend the brushes push the button on the body of the tool. [X2]

Parquet Nozzle* – For parquet floors and other delicate floors. [AA]

Pet Hair Remover Mini Turbo Nozzle* - Use the mini turbo nozzle on stairs or for deep cleaning on textile surfaces and other hard to clean areas. Particularly suitable for pet hair removal. [Y]

Allergen Remover Mini Turbo Nozzle* – Use the mini turbo nozzle on stairs or for deep cleaning on textile surfaces and other hard to clean areas, particularly suitable for allergen removal. [Z]

IMPORTANT: Do not use mini turbo nozzles on rugs with long fringes, animal hides and carpet pile deeper than 15mm. Do not keep the nozzle stationary while brush is rotating.

CLEANER MAINTENANCE

Emptying the Dust Container

When the dust flap touches the full bin mechanical detector at the bottom of the cleaner main body, you will hear an alarm sound, and the bin full indicator on the electronic display panel will also illuminate. This indicates that the dust bin is completely full and needs to be emptied.

IMPORTANT: To maintain optimum performance do not allow the cleaner to continue when the dust container is full.

1. Release the container bin handle by pressing the bin release latch to detach the dust container from the main cleaner and pull upward to remove.[8]
2. Once the dust container is released from the main body, hold it by the handle grip and position it above a waste container. With the other hand press the bin flap release button to open the container and release the dust, to fully release all the dust slide the outer bin body [9] up & down along the inner bin body.
3. Once emptied, close the dust flap and refit to the cleaner ensuring locating hook has been positioned correctly in cleaner body [13], once complete lock container in place by pushing the container bin handle down until the latch connects with the main body of the cleaner, you will hear a click when fully connected. This is the opposite to step 1.
4. Connect plug back into power source and continue.

NOTICE: Ensure the power cord has been unplugged before emptying.

NOTICE: Ensure the bin flap has been closed before you refit it to the main body.

*Certain Models Only ** Certain models only, nozzles may vary according to model

Unblocking the compaction system

If the auger [L1] of the compaction unit is blocked, it will try to recover 3 times. If it cannot recover, then you will hear an alarm sound and the electronic display panel on the main body will illuminate indicating BLOCKED. This tells you that you must remove the blockage before continuing.

IMPORTANT: If the auger [L1] on the compaction unit blocks, please ensure you stop using your cleaner immediately and unblock as per the following.

1. Release the container bin handle by pressing the bin release latch to detach the dust container from the main cleaner and pull upward to remove. [8]
2. Hold the bin handle with one hand rotate the inner bin body in the direction shown to release dust container from dust container body. Empty dust container and clear any blockages from the auger[L1] or cyclone unit. [10]
3. After removing the blockage and cleaning the multi cyclone, [11] clear and ensure the FDT flap [L2] is free from hair and debris, reassemble the dust container back into the dust container body [12] and lock in position by rotating the inner dust container.
4. Refit dust container to the cleaner ensuring locating hook has been positioned correctly in cleaner body, [13] once complete then lock container in place by pushing container bin handle down until the latch connects with the main body of the cleaner, you will hear a click when fully connected. This is the opposite to step 1.
5. Connect plug back into power source and continue.

NOTICE: Ensure the power cord has been unplugged before removing the blockage.

NOTICE: Ensure the bin flap has been closed before you refit it to the main body.

Cleaning the washable filters

The cleaner is fitted with a filter pack, to maintain optimum cleaning performance these should be removed on a regular basis and the filters tapped gently to release any excess dust. The filters should also be washed every 3 months and replaced on a regular basis.

IMPORTANT: All bagless cleaners require regular filter cleaning. Failure to clean your filter may result in air blockage, overheating and product failure. This may invalidate your guarantee.

IMPORTANT: Regularly check and maintain the filters.

IMPORTANT: Always ensure the filter pack is fully dry before use.

To access the Pre-Motor filter:

IMPORTANT: Switch off and unplug the power cord before accessing the filters.

1. Unlock the dust container by pressing the bin release latch to detach the dust container from the main cleaner and pull upward to remove. [13]
2. Unlock the pre-motor filter cover by pressing pre-motor filter cover latch and rolling pre-motor filter cover on the opposite edge. [14]
3. Remove the micro filter from main cleaner and wash micro filter by hand using warm water. Do not use hot water or detergents. Remove excess water from the filter and leave to dry fully before reusing. [15,18,19]
4. Reassemble to filter pack and refit to the cleaner once fully dry. Press on the top of the filter to ensure it is back into place.
5. Lock the pre-motor filter cover by pressing at the top point, you will hear a click once the pre-motor filter cover fits into place.
6. Refit dust container to the cleaner ensuring locating hook has been positioned correctly

in cleaner body, once complete then lock container in place by pushing container bin handle down until the latch connects with the main body of the cleaner, you will hear a click when fully connected. This is the opposite to step 1.

To Access the exhaust filter Located on the base of the cleaner.

1. Unlock the exhaust filter door by pressing two buttons and pulling outward from main cleaner. [16]
2. Remove the filter pack from recess by pulling the ring-pull of exhaust filter.[17]
3. Gently tap and wash the filter unit. Do not use hot water or detergents. Remove excess water from the filter and leave to dry fully before using. [18,19]
4. Reassemble the filter pack once it is fully dry and refit to the cleaner by inserting it back into the location and pushing it fully home.
5. Lock the exhaust filter cover by pressing the edge which has the clips, you will hear a click once the exhaust filter door fits into place.

IMPORTANT: Do not use the product without the filter pack fitted.

USER CHECK LIST

Should you have a problem with the product, complete this simple user checklist before calling your local Hoover service.

- Is there a working electricity supply to the cleaner? Please check with another electrical appliance
- There is no section called "Cleaning the cyclonic unit"?
- Check if the auger is blocked. If so, refer to "Unblocking the compaction system"
- If the display panel shows nothing except the power indicator lights, but suction is still low:
 - A. Do the filters need cleaning? If so refer to "Cleaning the washable filters".
 - B. Check if there is any other blockage in the system. Use a rod or pole to remove any blockage from the fixed tube or flexible hose.
 - C. Check pre motor filter is fitted correctly and filter cover is entirely closed.
 - D. Check if the Dust Container is fitted into place.
 - E. Check if the cyclonic unit needs to be cleaned. Refer to "Cleaning the multi cyclone".
 - F. Has the cleaner overheated? If so, it will take approximately 30 minutes to automatically reset.

IMPORTANT INFORMATION

Hoover spares and Consumables

Always replace parts with genuine Hoover spares. These are available from your local Hoover dealer or direct from Hoover. When ordering parts always quote your model number.

Pre Motor & Exhaust Filter Kit	U59	35601649
Complete Flexible Hose	D204E	35601652
Hard Floor Extra Nozzle	G227EE	35601653
Carpet Extra Nozzle	G228EE	35601654
Parquet Extra Nozzle	G89PC	35600659
Pet Hair Remover Nozzle	J51	35601163

Hoover Service

Should you require service, spares and consumables at any time, please contact your local Hoover Service Office.

Quality

Hoover's factories have been independently assessed for quality. Our products are made using a quality system which meets the requirements of ISO 9001

Your Guarantee

The guarantee conditions for this appliance are as defined by our representative in the country in which it is sold. Details regarding these conditions can be obtained from the dealer from whom the appliance was purchased. The bill of sale or receipt must be produced when making any claim under the terms of this guarantee.

Subject to change without notice.