

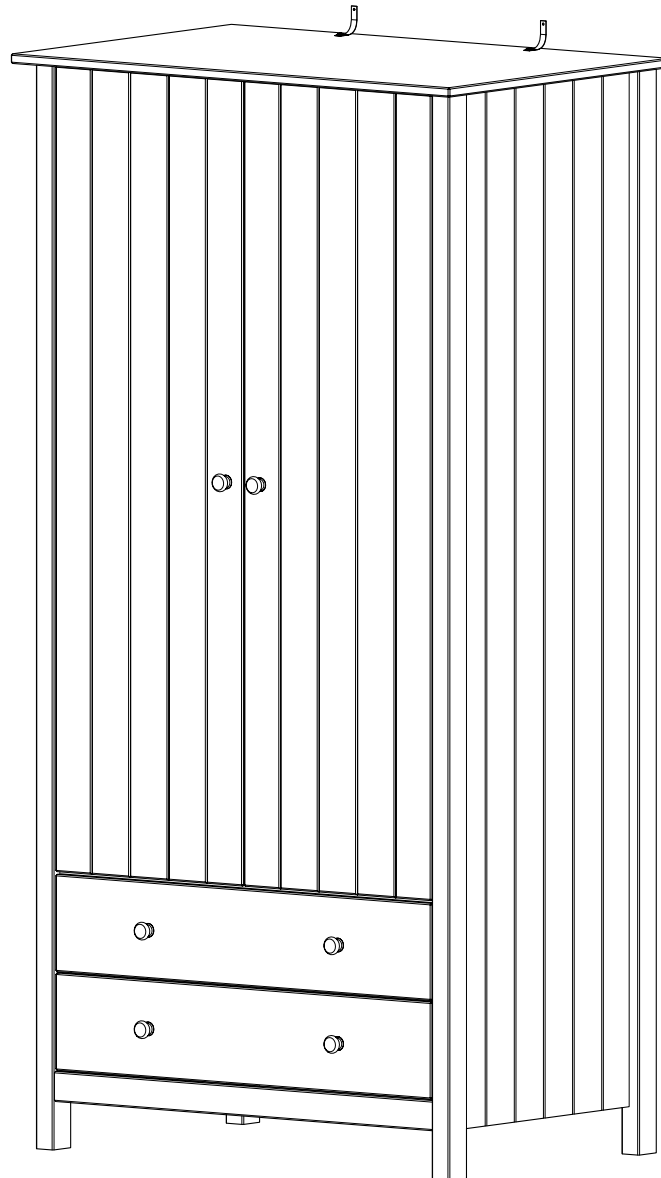
# Scandinavia - 2 Dr 2 Drw Robe

Assembly Instructions - Please keep for future reference

503/1579

Retain these instructions for future reference

473/9676



## Dimensions

Width - 80cm

Depth - 53cm

Height - 140cm

## Sainsbury's Argos

489-499 Avebury Boulevard

Saxon Gate West

Central Milton Keynes

MK9 2NW

**Important – Please read these instructions fully before starting assembly**

If you need help or have damaged or missing parts, call the **Customer Helpline: 03456 400800**



# Safety and Care Advice

## Important – Please read these instructions fully before starting assembly

- Check you have all the components and tools listed on pages 2 and 3.
- Do not use this item if any components are missing or damaged.
- Remove all fittings from the plastic bags and separate them into their groups.
- Keep children and animals away from the work area, small parts could choke if swallowed.
- Make sure you have enough space to layout the parts before starting.
- Do not stand or put weight on the product, this could cause damage.

- Assemble the item as close to its final position (in the same room) as possible.
- Assemble on a soft level surface to avoid damaging the unit or your floor.
- Parts of the assembly will be easier with 2 people.



- We do not recommend the use of power drill/drivers **for inserting screws**, as this could damage the unit. Only use hand screwdrivers.
- Dispose of all packaging carefully and responsibly.

- Assembly to be carried out by a competent adult only
- During assembly children should be kept away from the product due to possible risk of injury.
- Folding and unfolding this product should only be carried out under adult supervision.
- Ensure that fingers and legs are clear of all adjustments when adjusting this product.
- Regularly check all fastenings to ensure that they properly tightened.

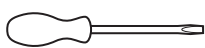
## Care and maintenance

- Only clean using a damp cloth and mild detergent, do not use bleach or abrasive cleaners.
- From time to time check that there are no loose screws on this unit.
- This product should not be discarded with household waste. Take to your local authority waste disposal centre.

## Tools required



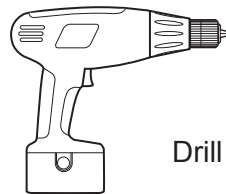
Phillips screwdriver (medium & large)



Flatblade screwdriver (medium)



7mm Suitable drill bit (for use with wall plug)



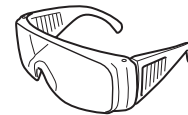
Drill



Small hammer



Ruler/tape measure



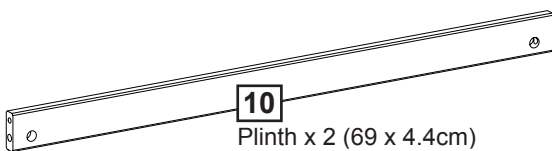
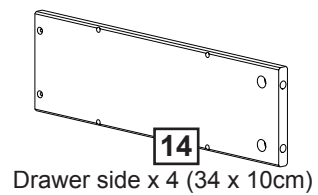
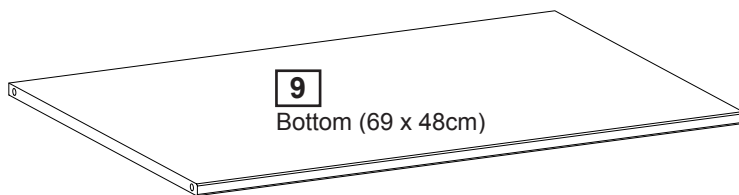
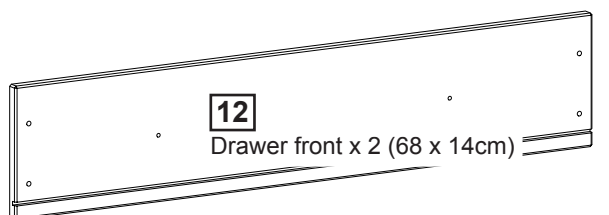
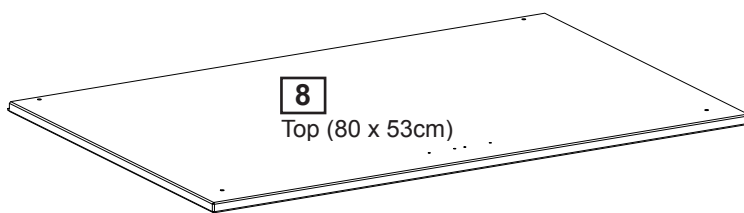
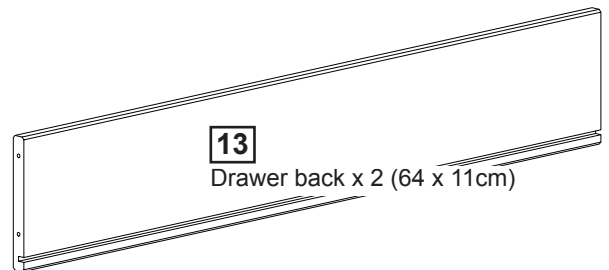
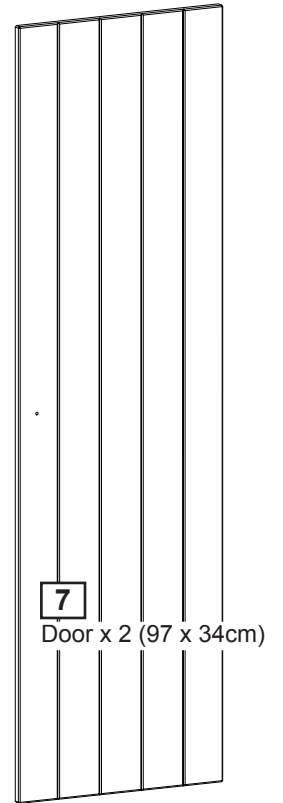
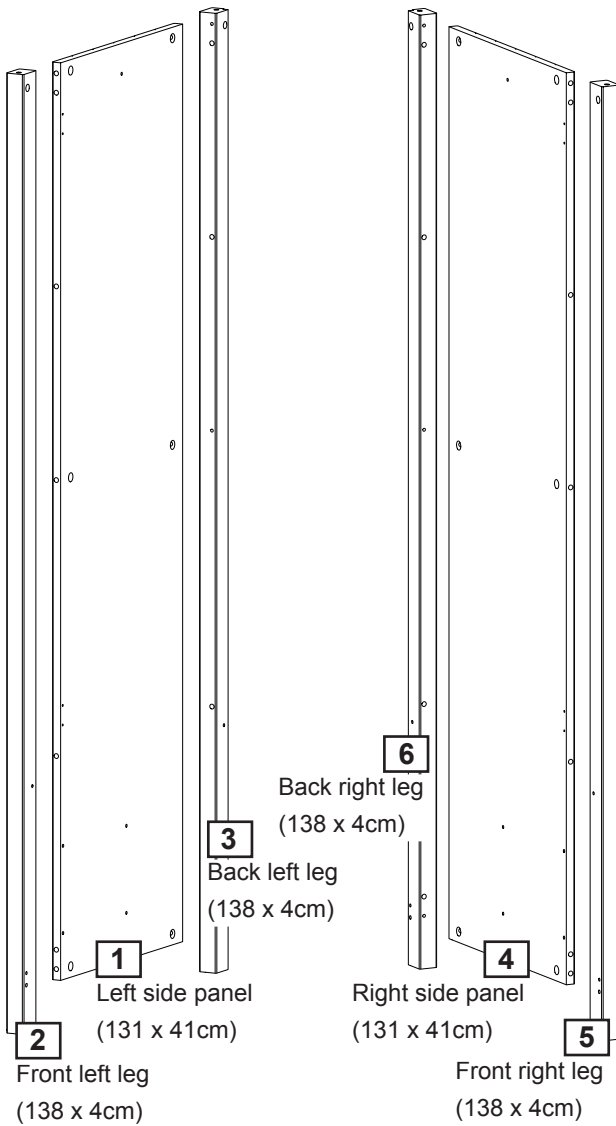
Eye protection (when using a hammer or glue)

**Note:** if required the next page can be cut out and used as reference throughout the assembly. Keep this page with these instructions for future reference.

# Components - Panels

If you have damaged or missing components, call the **Customer Helpline: 03456 400 800**


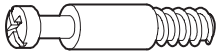



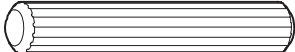


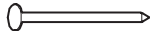
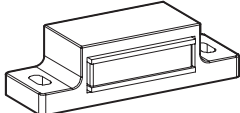

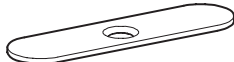
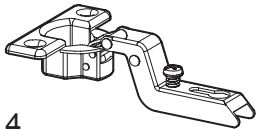
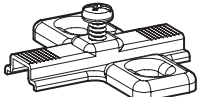
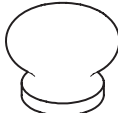
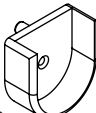
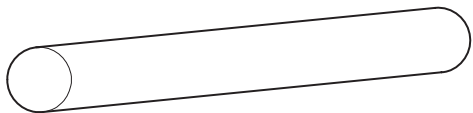

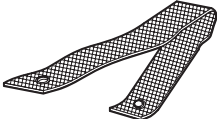
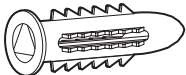


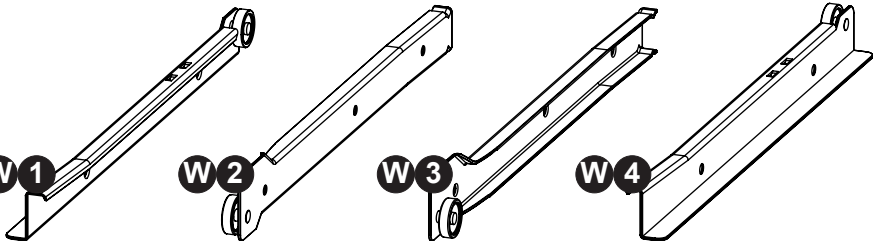
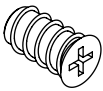
Please check you have all the panels listed below



# Components - Fittings

Please check you have all the fittings listed below

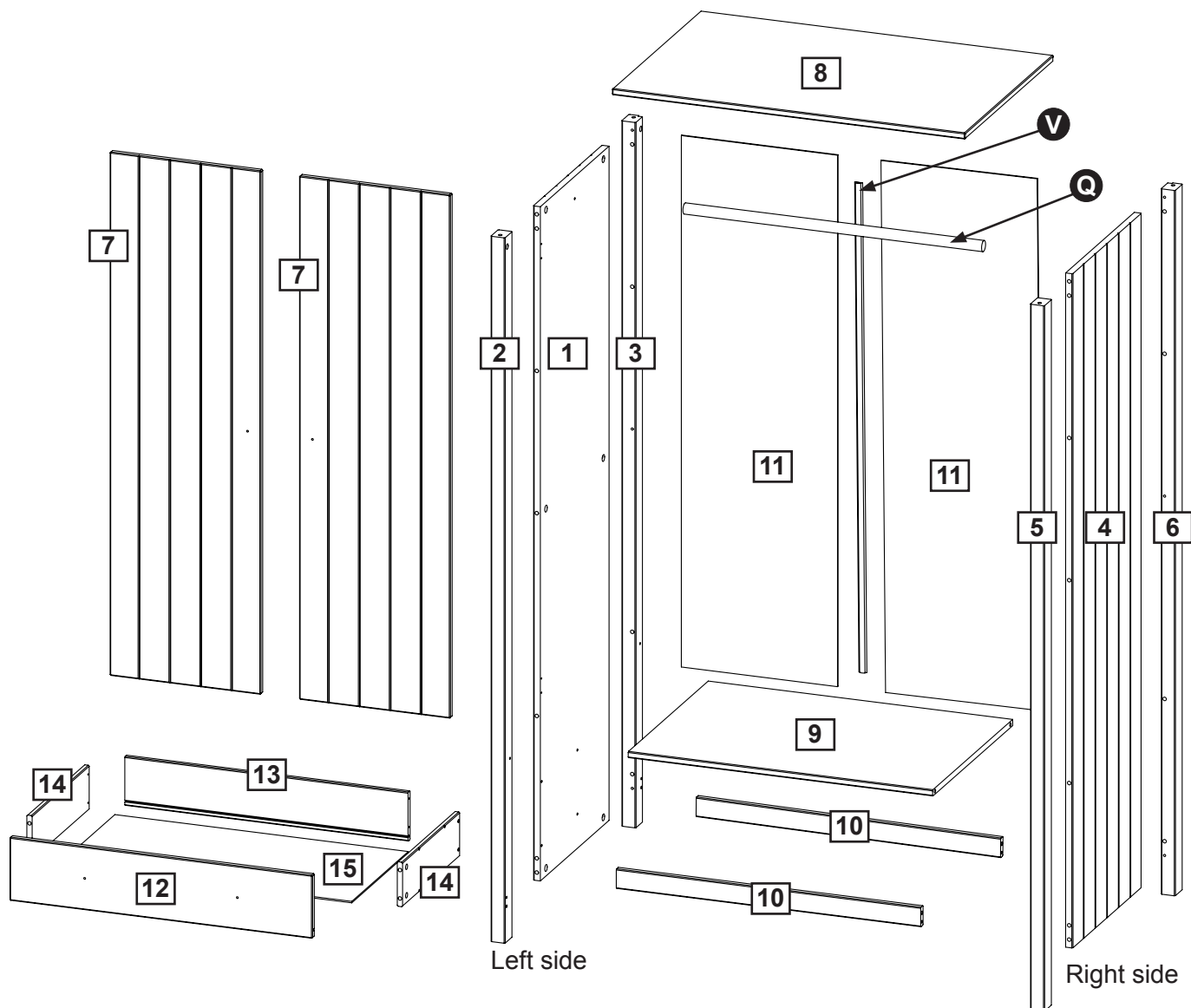
**Note:** The quantities below are the correct amount to complete the assembly. In some cases more fittings may be supplied than are required.

<p><b>A</b></p>  <p>Cam 12 mm x 20</p>	<p><b>B</b></p>  <p>Locking pin 24 mm x 20</p>	<p><b>C</b></p>  <p>Dowel 30 mm x 4</p>
<p><b>D</b></p>  <p>Cam 15 mm x 12</p>	<p><b>E</b></p>  <p>Locking pin 34 mm x 12</p>	<p><b>F</b></p>  <p>Dowel 40 mm x 16</p>
<p><b>G</b></p>  <p>Screw 14 mm x 24</p>	<p><b>H</b></p>  <p>Screw 35 mm x 14</p>	<p><b>I</b></p>  <p>Nail x 30</p>
<p><b>J</b></p>  <p>Magnet x 2</p>	<p><b>K</b></p>  <p>Screw 12 mm x 2</p>	<p><b>L</b></p>  <p>Magnet catch x 2</p>
<p><b>M</b></p>  <p>Cup hinges x 4</p>	<p><b>N</b></p>  <p>Cross plate x 4</p>	<p><b>O</b></p>  <p>Knob x 6</p>
<p><b>P</b></p>  <p>Hanging rail cup x 2</p>	<p><b>Q</b></p>  <p>Hanging rail x 1</p>	
<p><b>R</b></p>  <p>Screw 20 mm x 2</p>	<p><b>S</b></p>  <p>Wall strap x 2</p>	<p><b>T</b></p>  <p>Wall plug x 2</p>
<p><b>U</b></p>  <p>Washer x 4</p>	<p><b>V</b></p>  <p>Joining strip x 1</p>	
<p><b>W 1</b> <b>W 2</b> <b>W 3</b> <b>W 4</b></p>  <p>Drawer runners x 2</p>		<p><b>X</b></p>  <p>Screw x 16</p>

**Ruler** - Use this ruler to help correctly identify the screws

0 5 10 15 20 25 30 35 40 45 50 55 60 65 70 75 80 85 90 95 100 105 110 115 120 125 130 135 140 145 150 155 160 165 170

# Components - Key Diagram



# Function of Cam and Locking Pin

## Step 1:

Fix the locking pin to the wooden panel.

## Step 2:

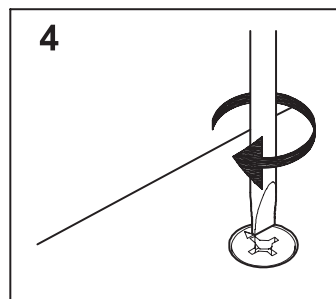
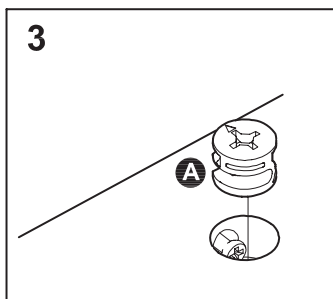
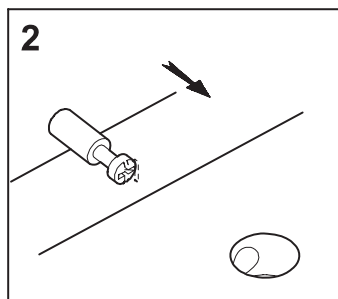
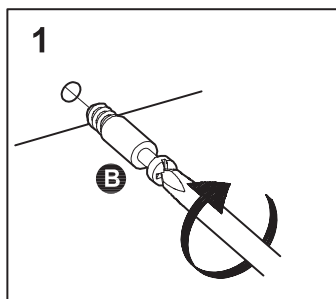
Push the wooden panel with the attached locking pin onto the other wooden panel.

## Step 3:

Place the cam into the hole, arrow pointing towards the locking pin.

## Step 4:

Tighten: Turn the cam to the right.



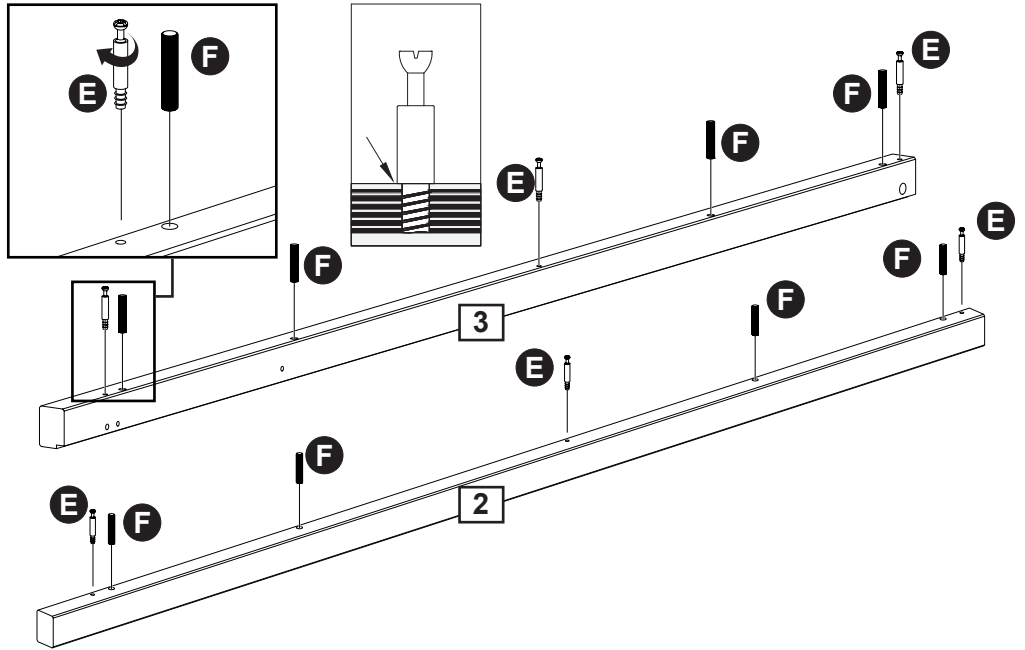
# Assembly Instructions

## Step 1

Inserting the dowels and mounting the locking pins to the legs.

Insert the dowels **F** into the holes indicated on the legs **2** and **3**. Screw the locking pins **E** into the holes indicated on the legs **2** and **3**.

**Note:** Insert locking pins E as far as shown. **Do not over tighten.**



## Step 2

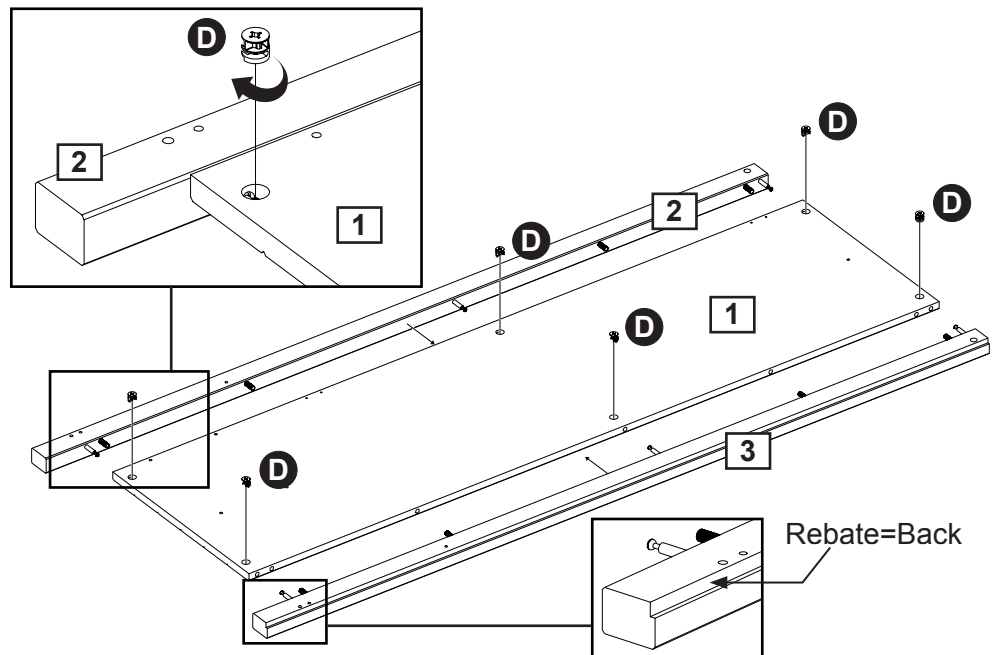
Mounting legs to the side panels.

Fit the legs **2** and **3** onto the side panel **1**.

**Note:** See page 5 "Function of cam and locking pin".

Place the cams **D** into the holes indicated on the side panel **1**.

To tighten cams: Turn to the right using a screwdriver.

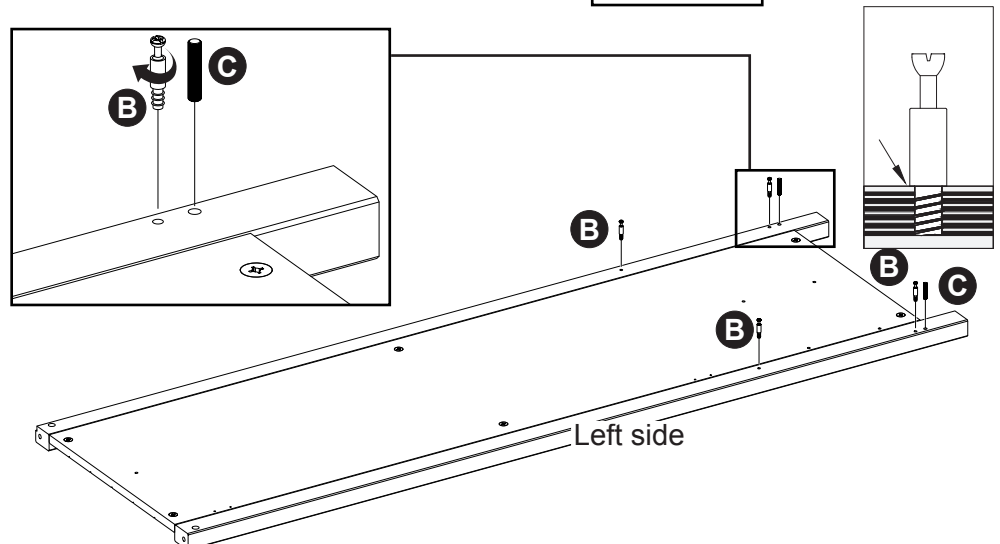


## Step 3

Inserting the dowels and mounting the locking pins to the assembled side.

Insert the dowels **C** into the holes indicated. Screw the locking pins **B** into the holes indicated on the legs **2** and **3**.

**Note:** Insert locking pins B as far as shown. **Do not over tighten.**



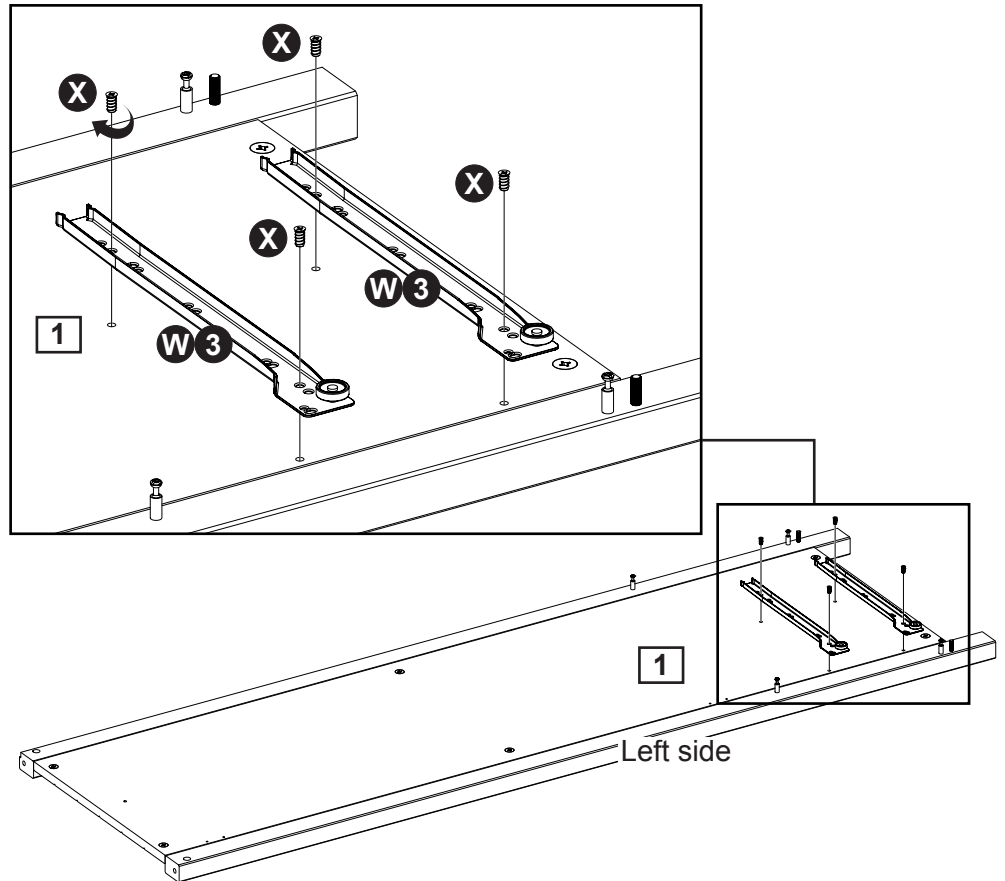
# Assembly Instructions

## Step 4

**Attaching the drawer runners to the assembled side.**

Fix the drawer runners **W3** to the left side **1**, **W2** to the right side **4** using screws **X** through the holes indicated

To tighten screws:  
Turn to the right using a screwdriver.



## Step 5

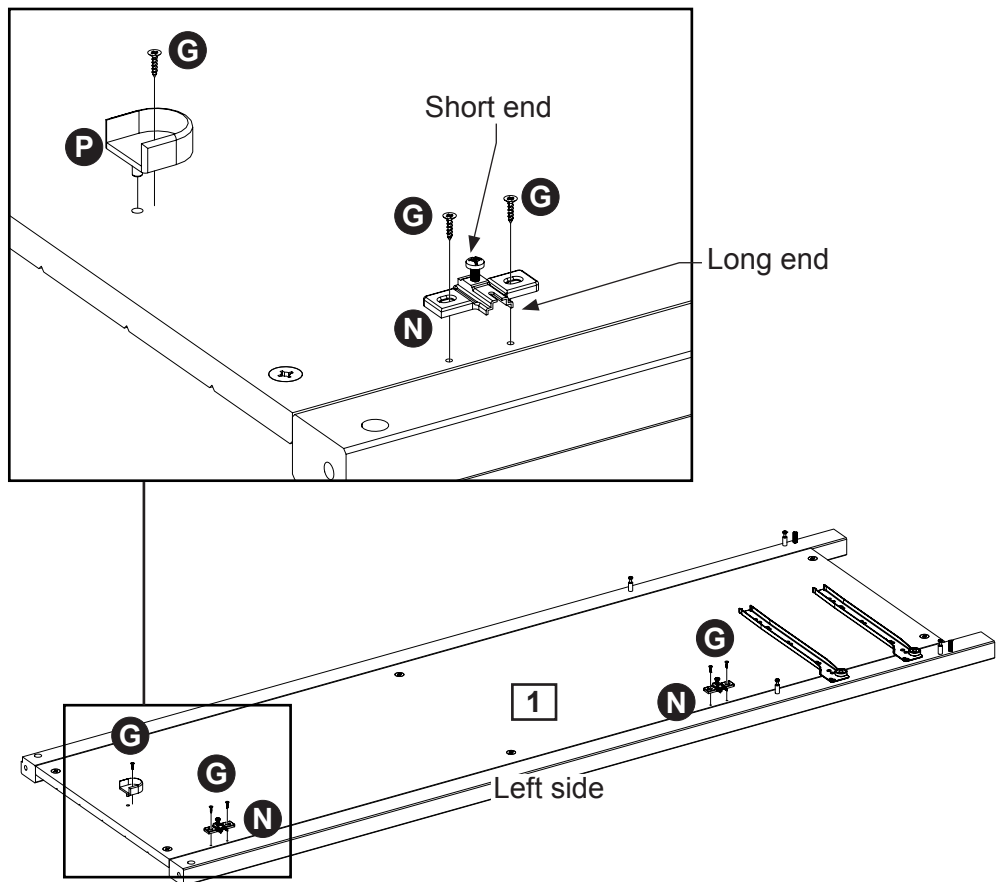
**Mounting the cross plates and the hanging rail cup to the side.**

Fix the cross plates **N** to the side **1** using the screws **G** into the holes indicated.

The long end of the cross plates must point towards the front edge of the side.

Fix the hanging rail cup **N** to the side **1** using the screws **G** into the holes indicated.

To tighten screws:  
Turn to the right using a screwdriver.



**Repeat these steps with right side.**

# Assembly Instructions

## Step 6

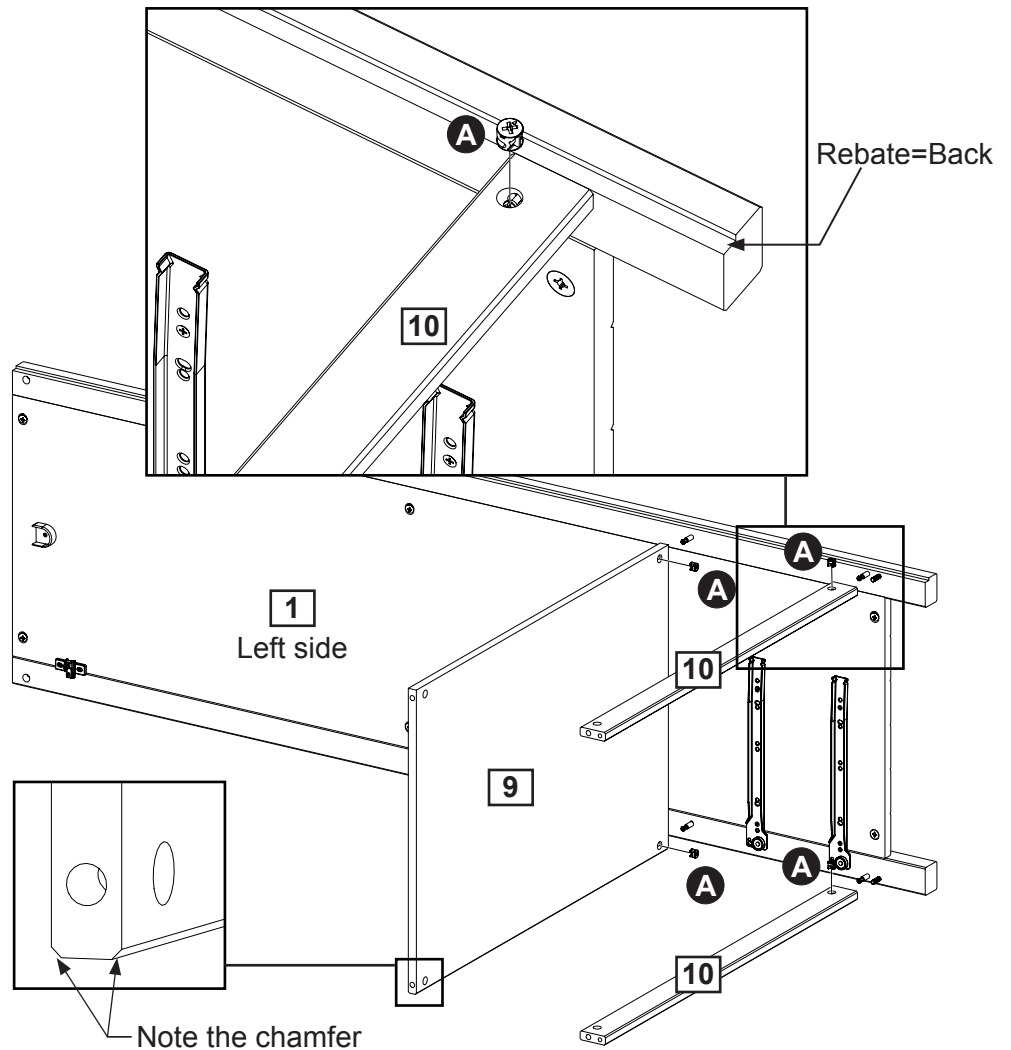
### Adding the plinths and bottom to the left side.

Fit the left side **1** onto the plinths **10** and the bottom **9**.

**Note:** See page 5 "Function of cam and locking pin".

Place the cams **A** into the holes indicated on the plinths **10** and the bottom **9**.

To tighten cams: Turn to the right using a screwdriver.



## Step 7

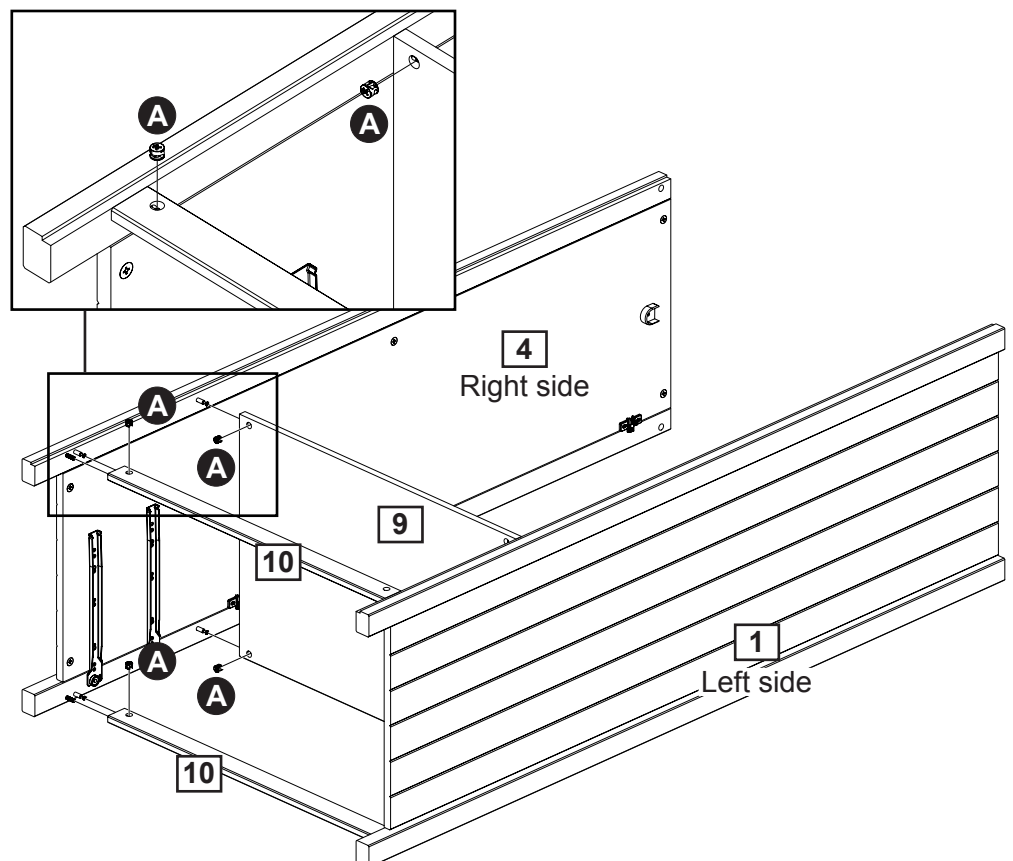
### Adding the plinths and bottom to the right side.

Fit the right side **4** onto the plinths **10** and the bottom **9**.

**Note:** See page 5 "Function of cam and locking pin".

Place the cams **A** into the holes indicated on the plinths **10** and the bottom **9**.

To tighten cams: Turn to the right using a screwdriver.





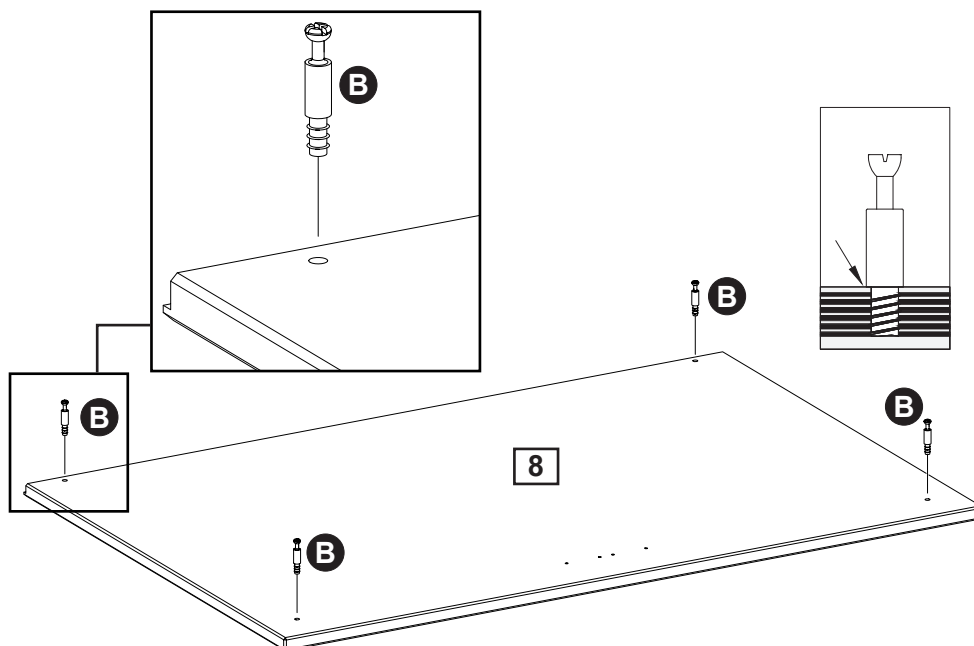
# Assembly Instructions

## Step 8

**Mounting the locking pins to the top.**

Screw the locking pins **B** into the holes indicated on the top **8**.

**Note:** Insert locking pins **B** as far as shown. **Do not over tighten.**

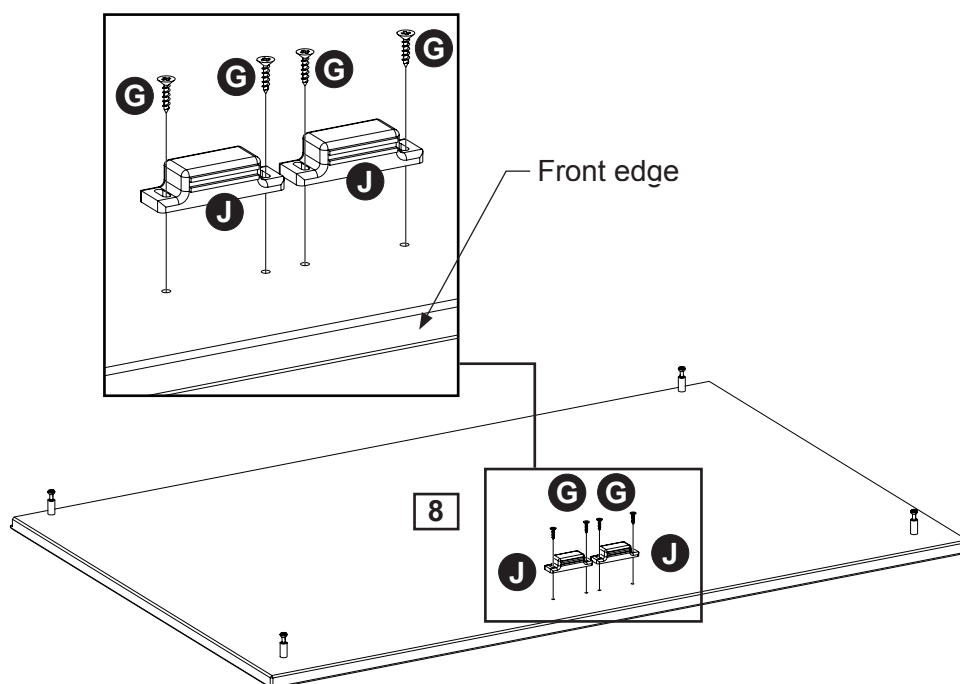


## Step 9

**Mounting the magnets to the top.**

Fix the magnets **J** to the top **8** using screws **G** into the pre-drilled holes indicated on the top.

It is important that the magnetic part points towards the front edge of the top



# Assembly Instructions

## Step 10

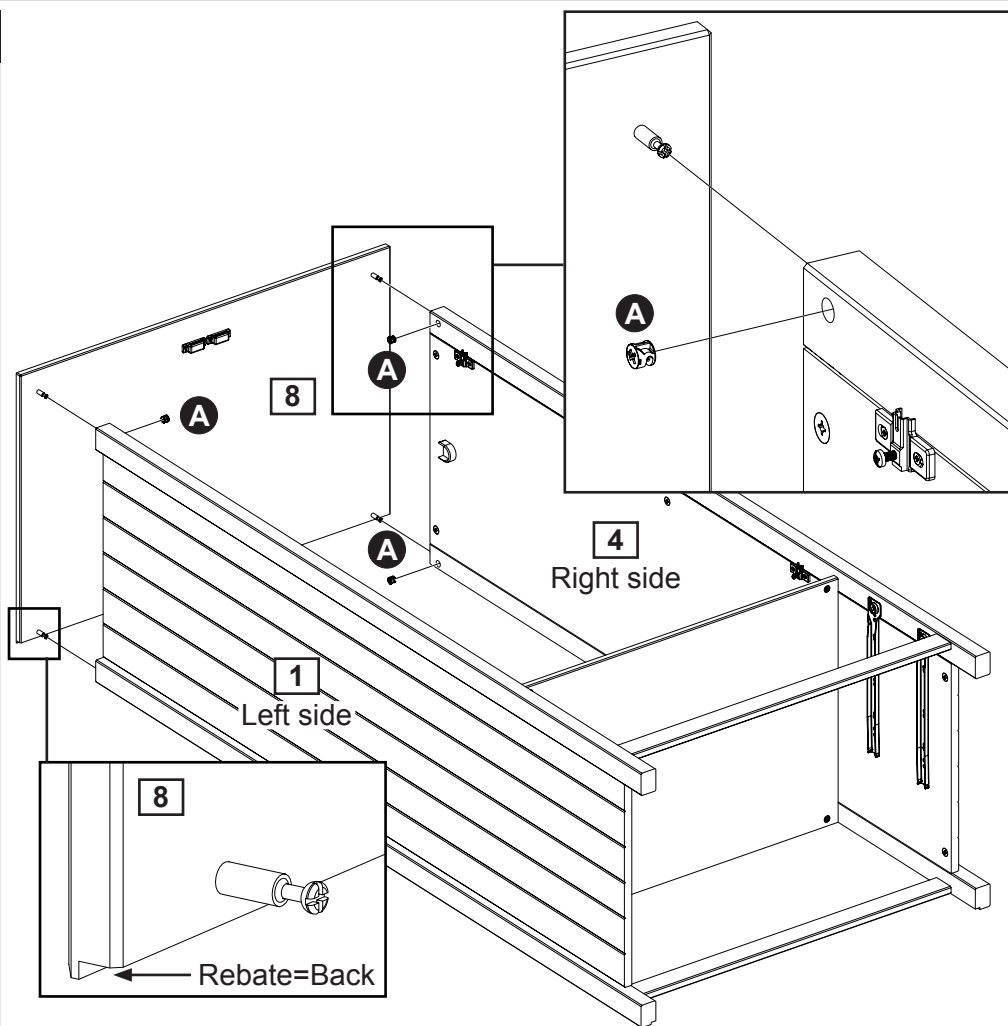
### Assembling the top to the sides.

Attach the top **8** onto the sides **1** and **4**.

**Note:** See page 5 "Function of cam and locking pin".

Place the cams **A** into the holes indicated on the sides **1** and **4**.

To tighten cams: Turn to the right using a screwdriver.



# Assembly Instructions

## Step 11

### Adding the back to the carcass.

Carefully turn the assembled piece of furniture, with the back to the top.

Place the back **11** into the rebate of the top **8** and the side **4**.

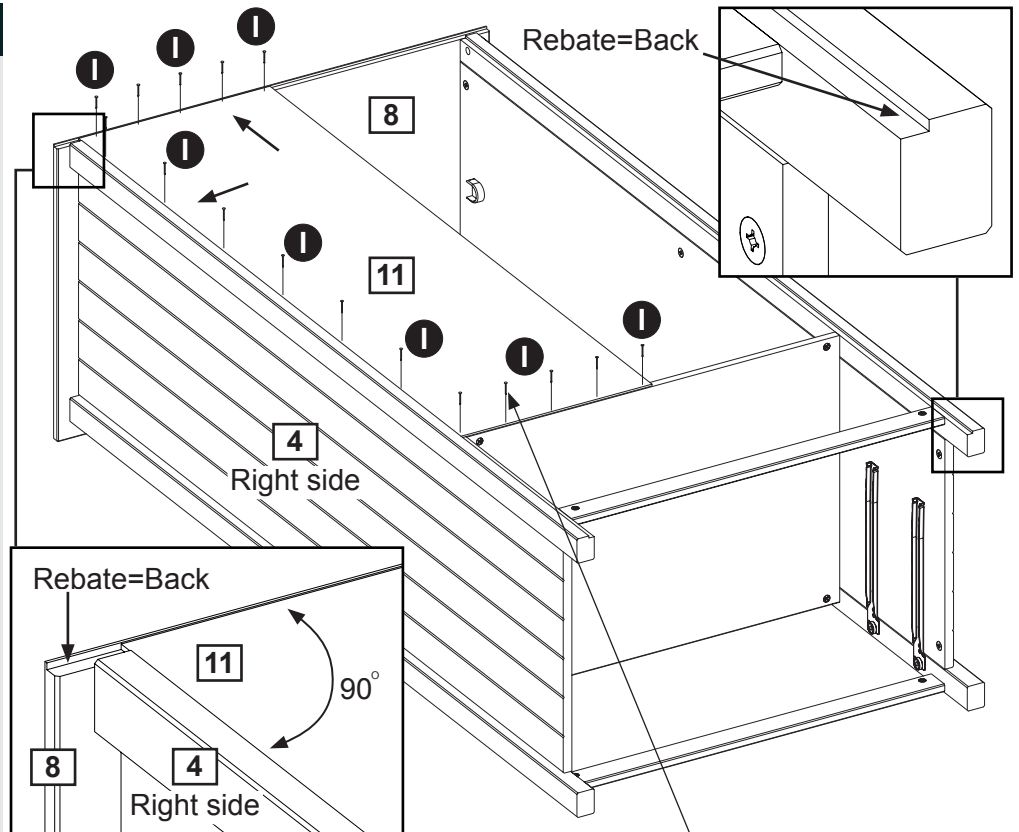
Ensure that there is no gap between the side back, not between the top and the back.

Fasten the back with nails **I** along the top.

The angle between the top and the side must be 90 degrees.

To accomplish this, ensure that there is no gap between the right side **4** and the back **11**.

Fasten the back with nails **I** along the sides.



## Step 12

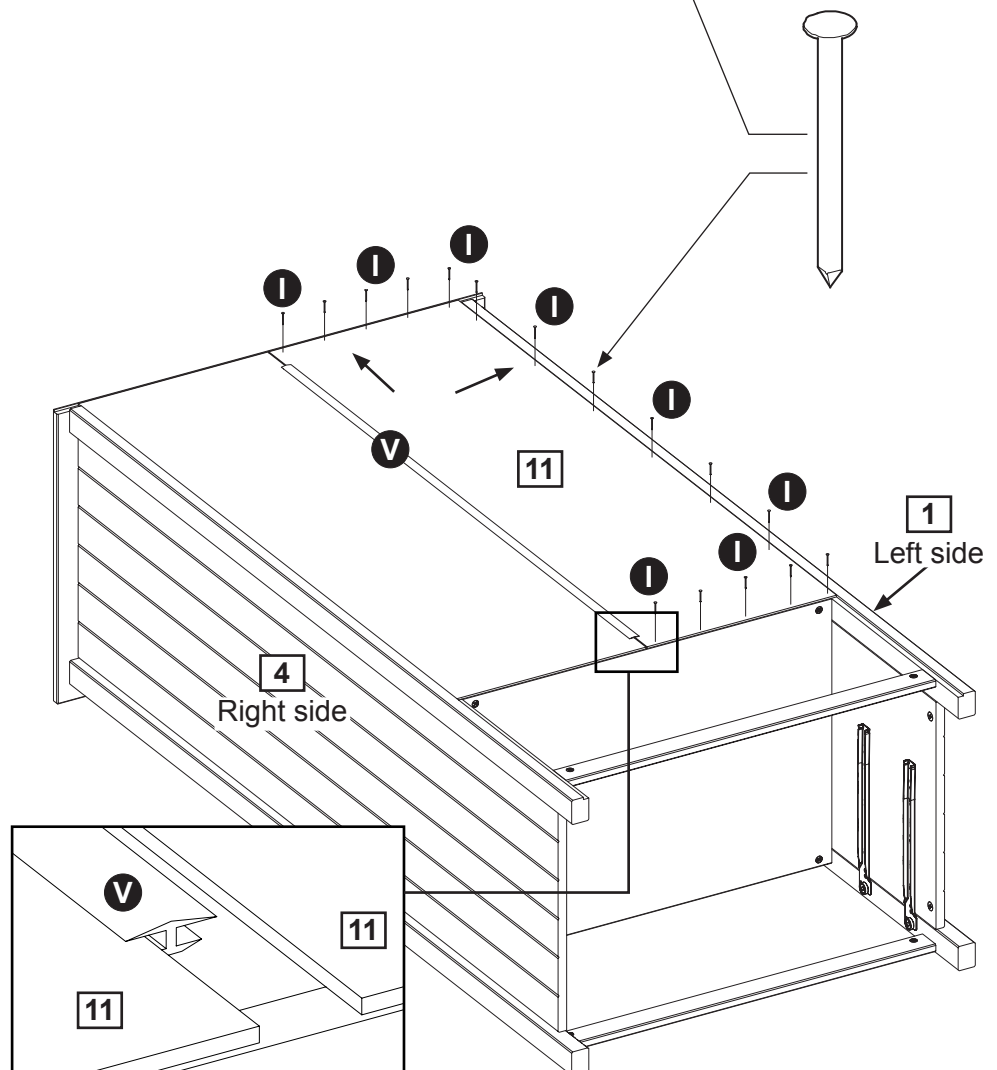
### Adding the back and the joining strip to the carcass.

Place the joining strip **V** onto the back.

Place the back **11** into the rebate of the top **8** and the side **4**.

Ensure that there is no gap between the side back, not between the top and the back.

Fasten the back with nails **I** along the side and the plinth.

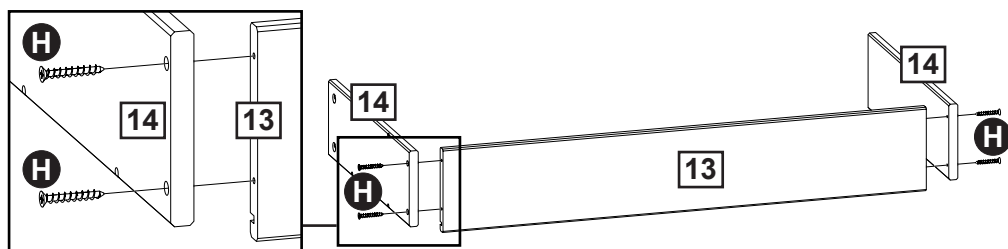


# Assembly Instructions

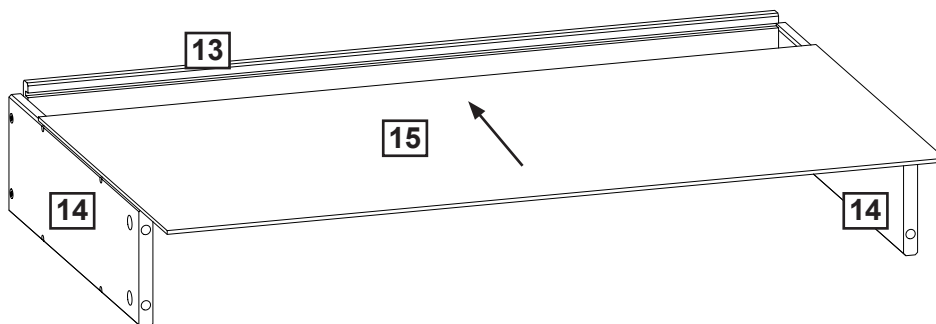
## Step 13

### Drawer assembly.

**a:** Fix the drawer sides **14** to the drawer back **13** using screws **H**.

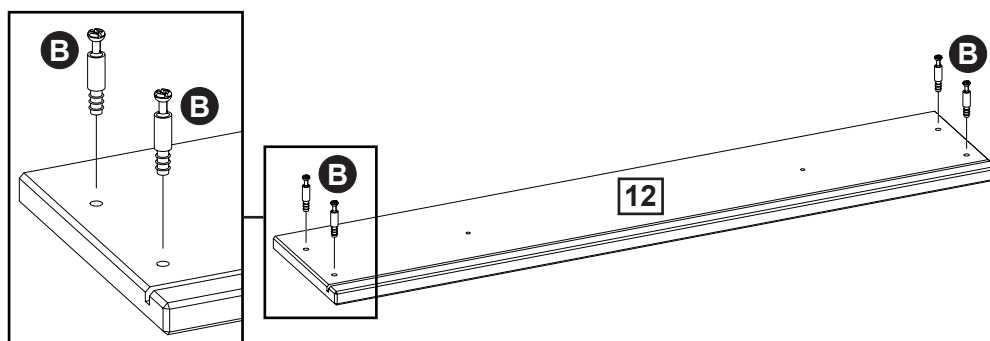


**b:** Slide the drawer bottom **15** into the grooves of the drawer frame.



**c:** Screw the locking pins **B** into the holes indicated on the drawer front **12**.

**Note:** Insert locking pins **B** as far as shown. **Do not over tighten.**

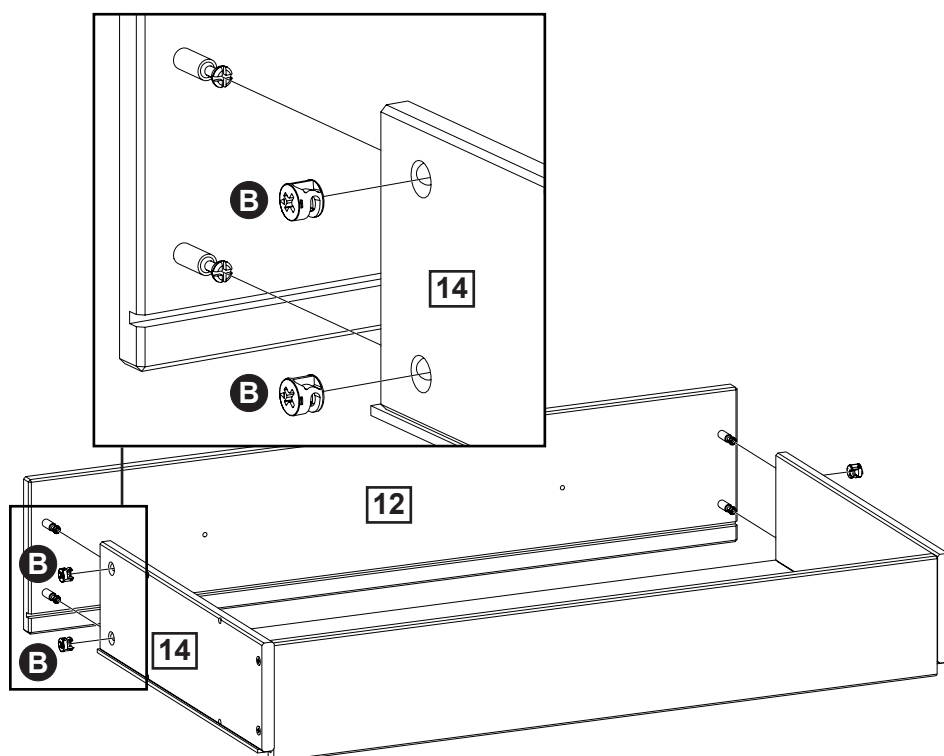


**d:** Press the drawer front **12** onto the drawer sides **14**.

**Note:** See page 5 "Function of cam and locking pin".

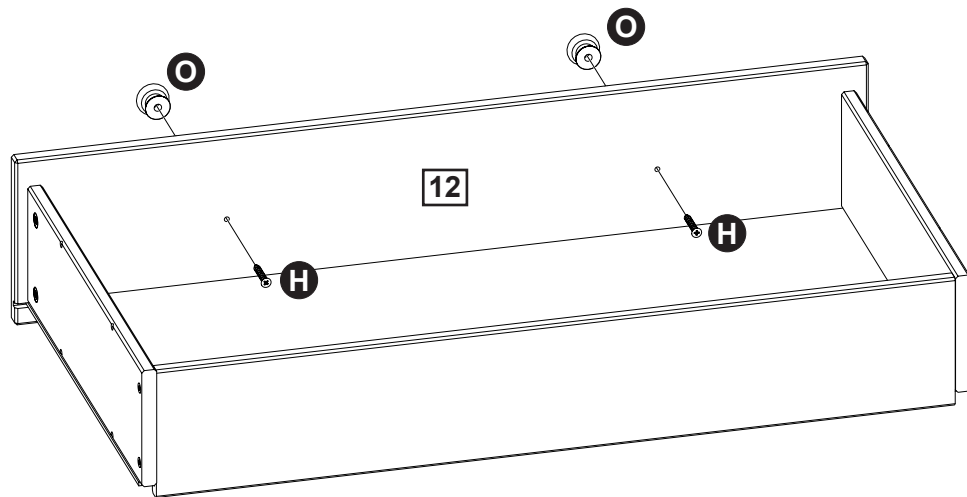
Place the cams **A** into the holes indicated on the drawer front **12**.

To tighten cams: Turn to the right using a screwdriver.

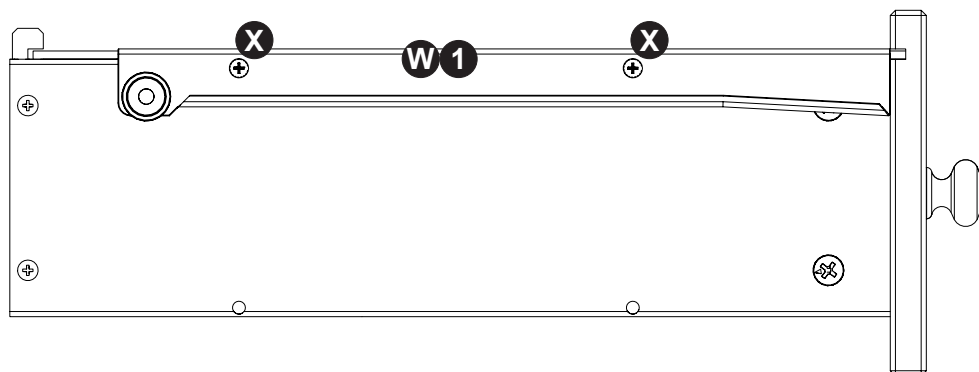
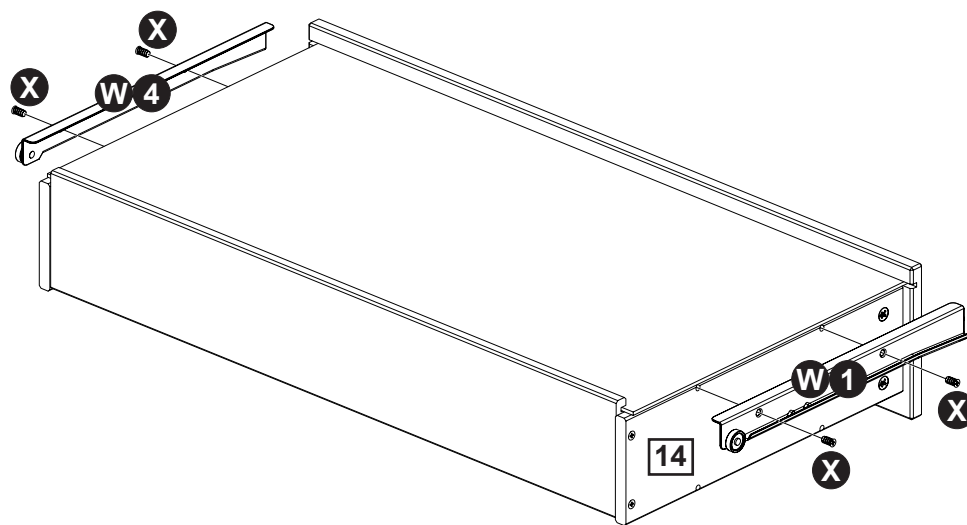


# Assembly Instructions

e: Fix the knobs **O** to the drawer front **12** using screws **H**.



f: Fix the drawer runners **W1** and **W4** to the drawer sides **14** using screws **X** through the holes indicated.



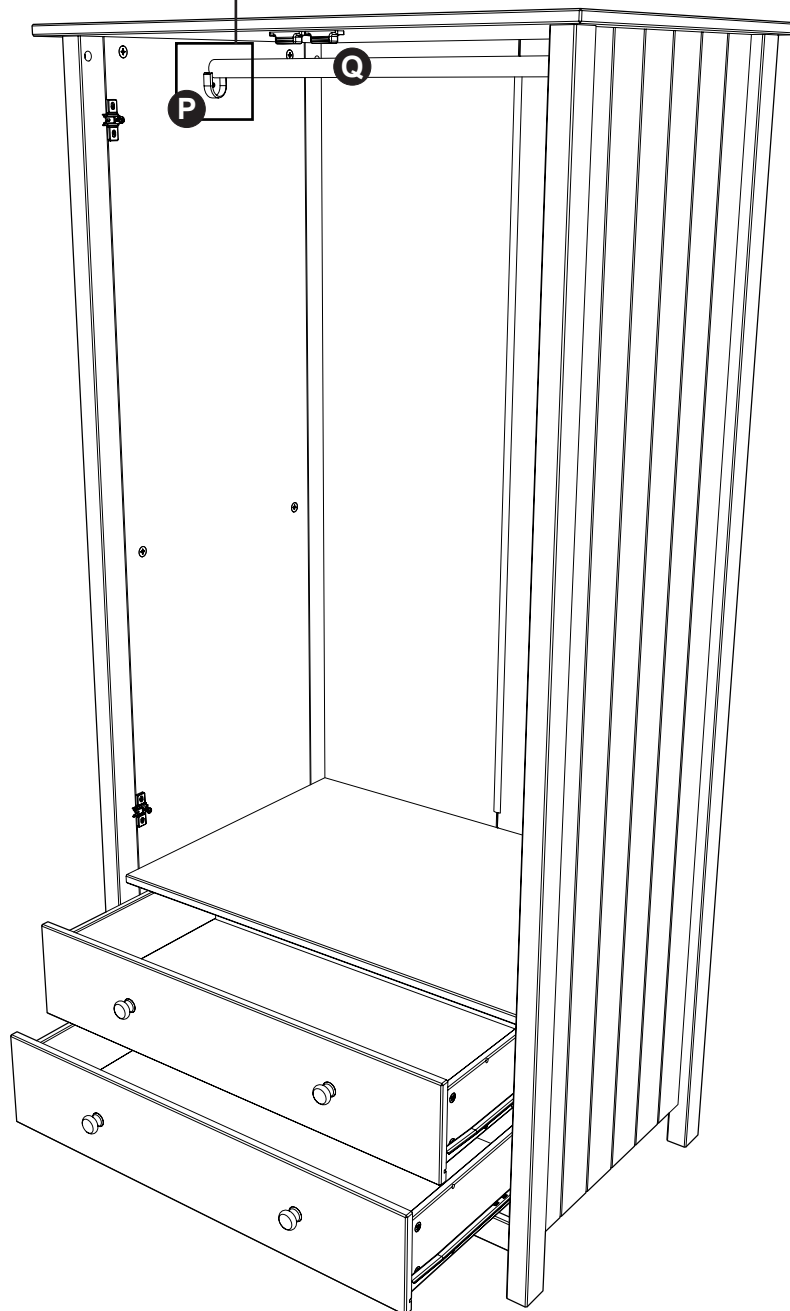
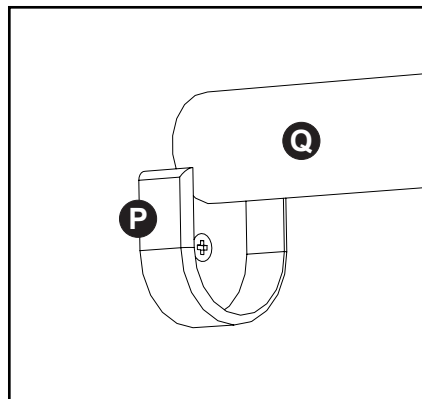
Repeat with remaining drawer.

## Step 14

**Adding the drawers and the hanging rail to the carcass.**

Slide the drawer onto the drawer runners.

Lower the hanging rail **Q** into the hanging rail cups **P**.

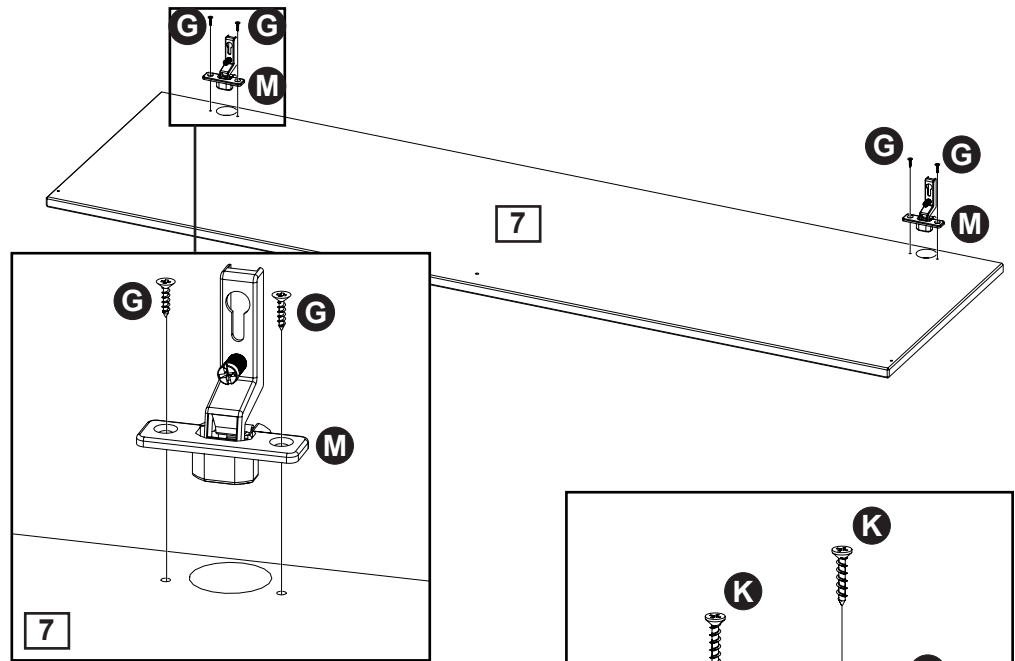


## Step 15

### Door assembly

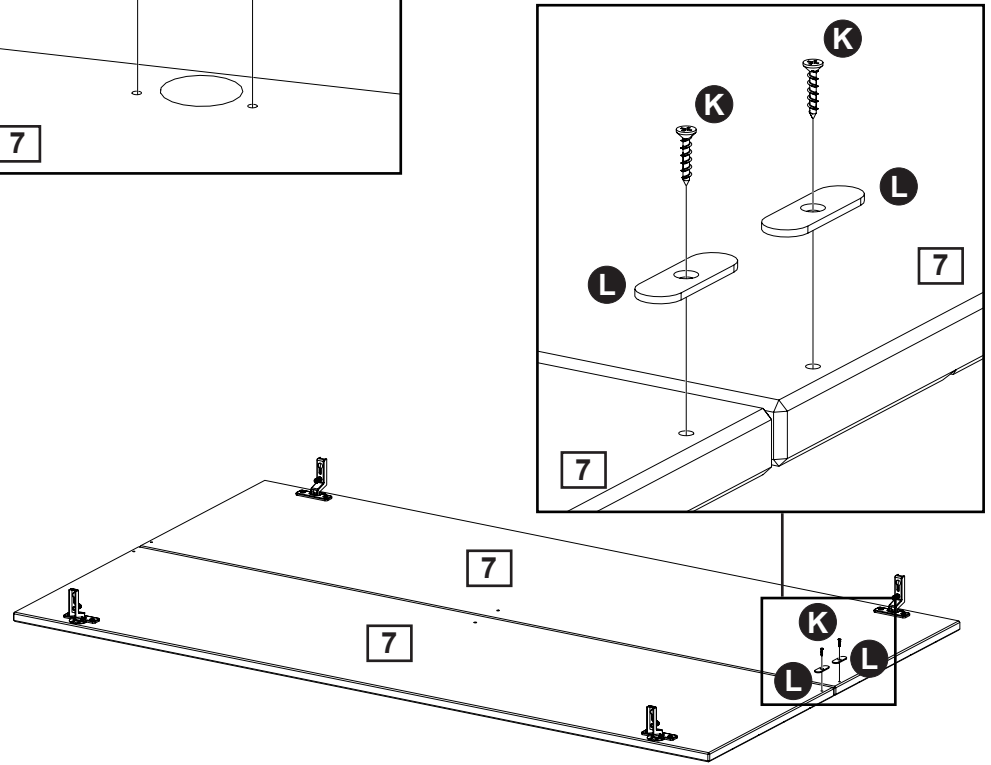
**a:** Place the cup hinges **M** into the holes indicated on the door **7**

Fix the hinges using screws **G** onto the pre-drilled holes.

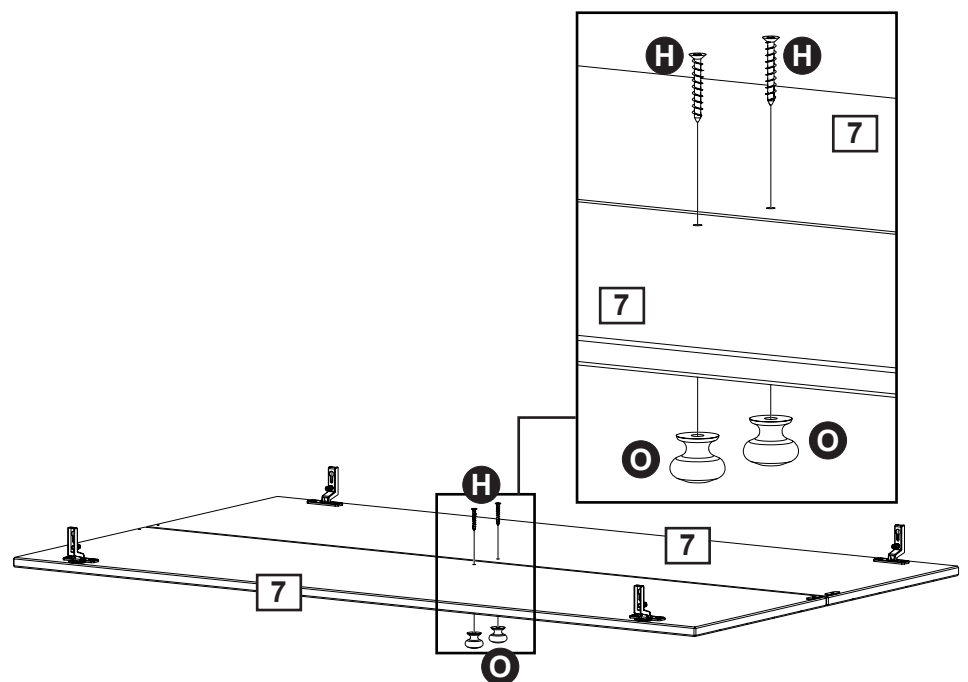


**b:** Fix the magnet catches **L** using screws **K** into the pre-drilled holes on the doors **7**.

Fix the hinges using screws **G** onto the pre-drilled holes.



**c:** Fasten the knobs **O** to the doors **7** using screws **H**.



## Step 16

### Mounting the doors to the carcass.

When placing the doors, the magnetic catch plates must be at the top of the doors.

**a:** Place the adjustment hole of the cup hinge at the level of the fixing screw. Push the cup hinge - placing the fixing screw in the wider part of the adjustment hole.

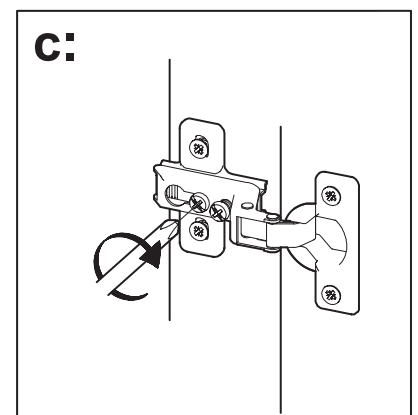
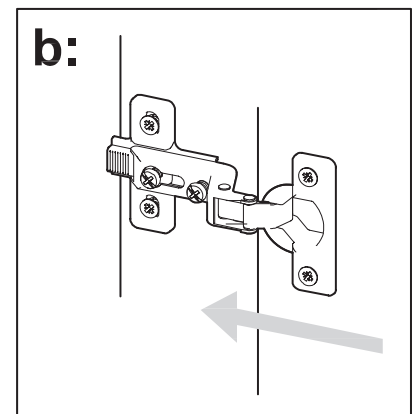
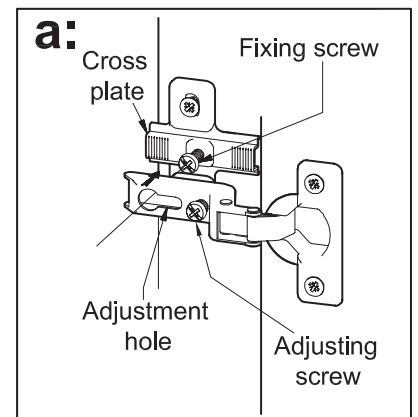
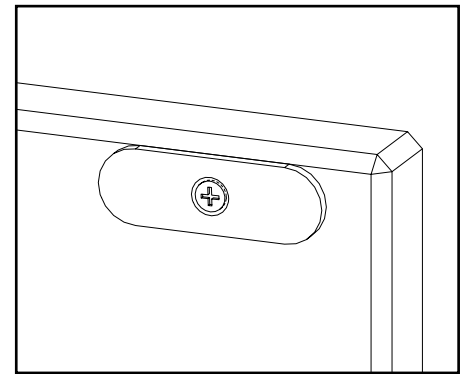
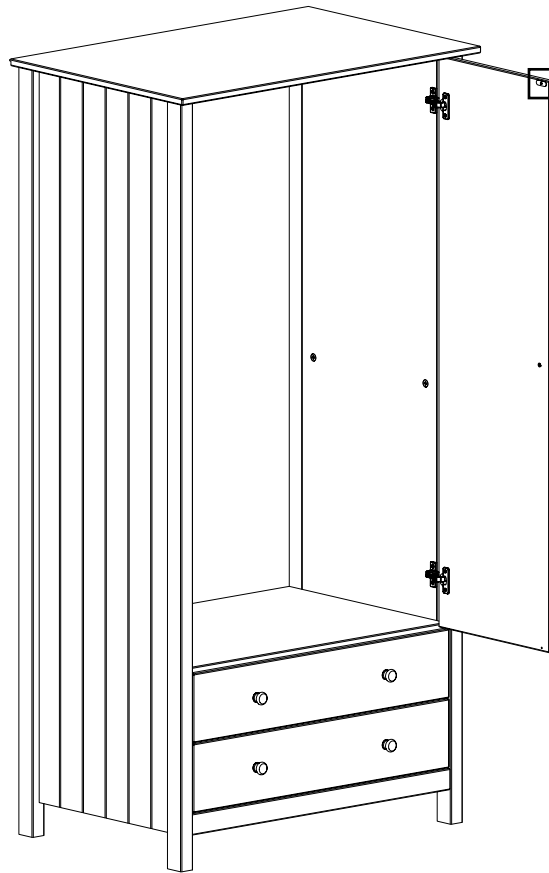


**Important:**

Ensure you catch all three of the fixing screws.

**b:** Push the door / cup hinge inwards - placing the fixing screw in the narrow end of the adjustment hole.

**c:** Tighten the fixing screws of all the cross plates.

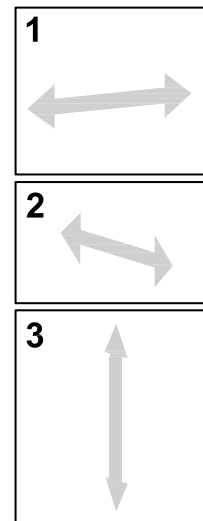
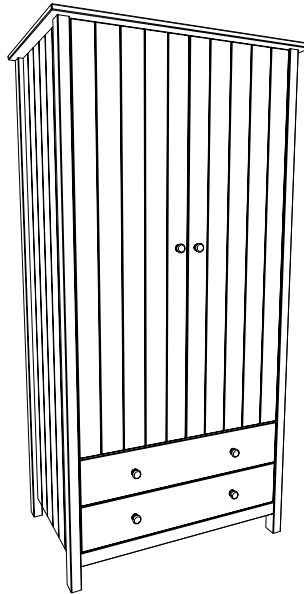




## Step 17

### Adjusting the doors.

Make sure the wardrobe is placed on a level surface before you begin to adjust the hinges.



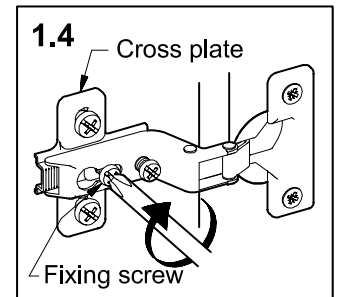
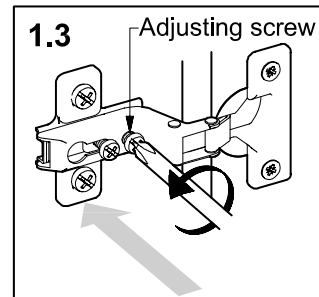
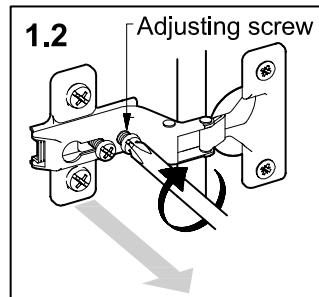
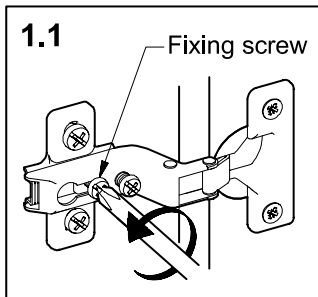
### Right or left:

Loosen the fixing screw.

To adjust the door towards the lefthand side - turn the adjusting screw to the right.

To adjust the door towards the right hand side - turn the adjusting screw to the left.

Continue adjustment - see 2 - or tighten the fixing screw of the cross plates

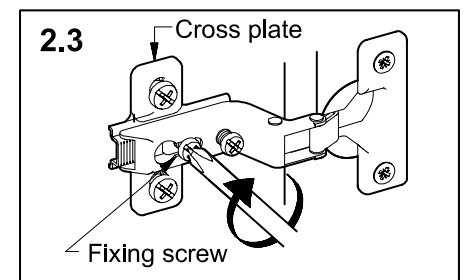
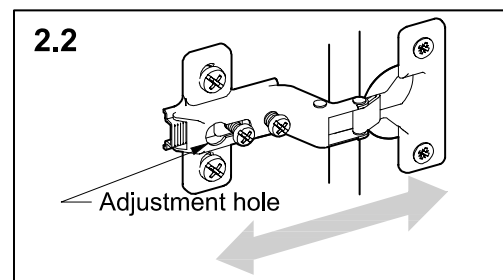
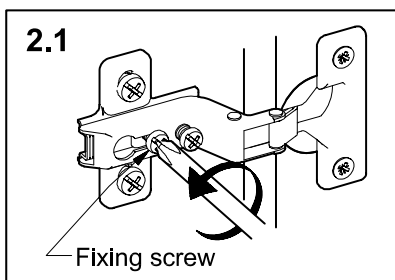


### Forwards or backwards:

Loosen the fixing screw.

Push the cup hinges / the door back or forth to adjust. The door should level with the front edge of the sides.

Tighten the fixing screws of all the cross plates.

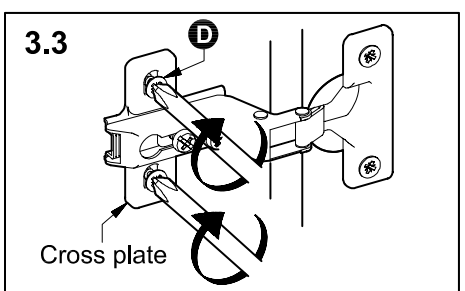
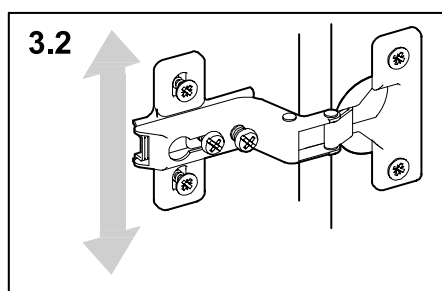
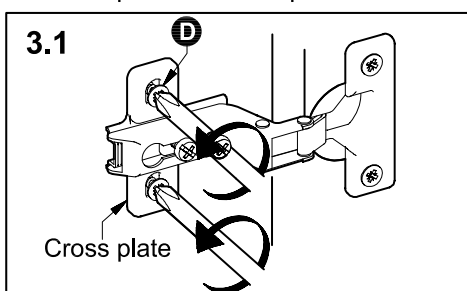


### Up or down:

Loosen the two screws **D** of each cross plate, but only as much as it will allow the cross plate to move up and down.

Adjust the cross plate / door.

Tighten the screws **D** of all the cross plates.



# Assembly Instructions

## Step 14

### Fixing to wall

It is recommended that the wardrobe is fixed to a wall.

Fix wall straps **S** to top of wardrobe using screws **G**.

With help, move wardrobe into position.



**Warning:**  
The wardrobe is heavy.  
**Lift with care.**

Mark fixing hole on wall and remove storage.

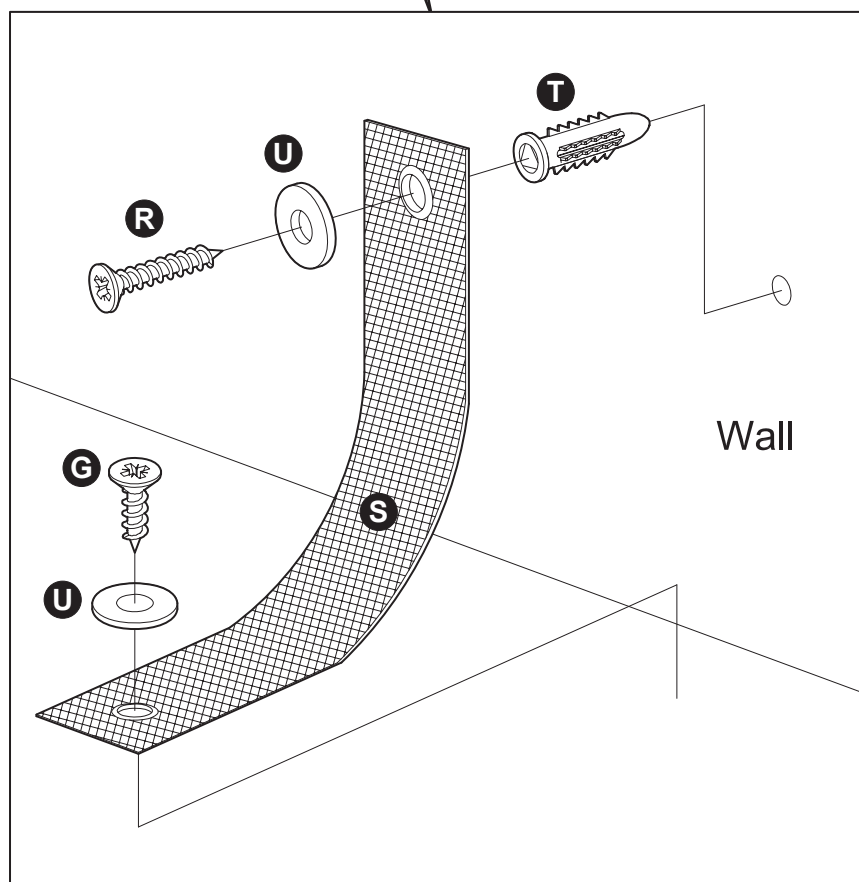
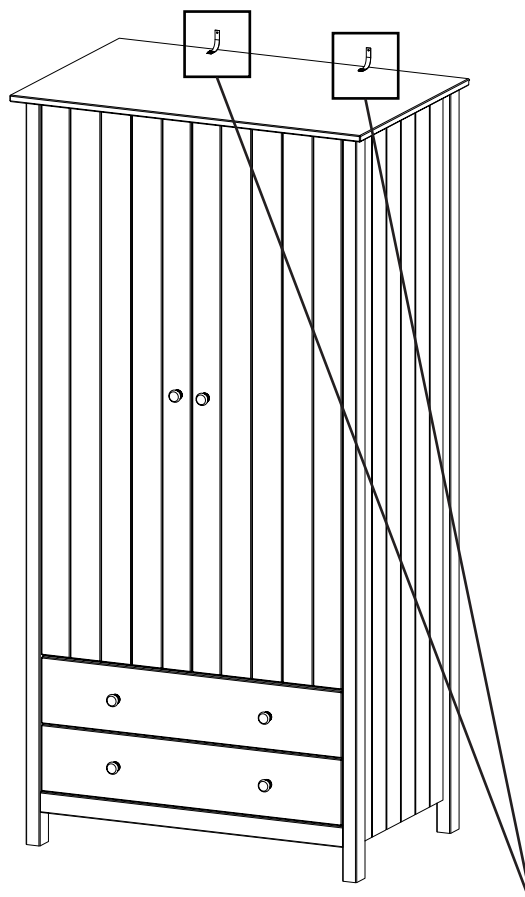
Drill 7mm hole and insert wall plugs **T**.



**Warning:** Before drilling, check wall for hidden pipes and cables.

Reposition wardrobe and fix wall straps using screws **R**.

**Assembly is complete.**



If you need help or have damaged or missing parts, call the **Customer Helpline: 03456 400 800**  
Domestic address or Home Retail Group Plc address.

# A Guide to - Wall Mounting & Fixings

## Important note:

If plastic wall plugs are supplied with your product:



- these are only suitable for use in masonry walls.

If you are in any doubt about the correct wall plugs for your wall, seek professional advice.


Failure of the product due to using incorrect fixings is the responsibility of the installer.



**Important:** When drilling into walls always check that there are no hidden wires or pipes etc.

Make sure that the screws and wall plugs being used are suitable for supporting your unit. Consult a qualified tradesperson if you are unsure.

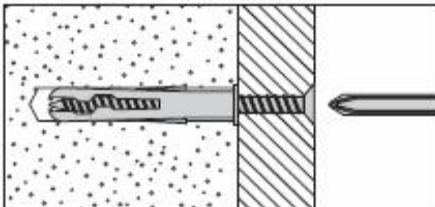
## Hints:

- 1: **General rule:**  Always use a larger screw and wall plug if you are not sure.
- 2: Ensure you use the recommended drill bit to match the wall plug and hole size.
- 3: Ensure you drill the hole horizontally, do not force the drill or enlarge the hole.
- 4: Take extra care when drilling high walls, ceilings and ceramic tiles. Ensure wall plugs are inserted beyond the thickness of the ceramic tiles to avoid the tiles splitting or cracking.
- 5: Ensure wall plugs are well fitted and are a tight fit in the drilled hole.

## Types of walls

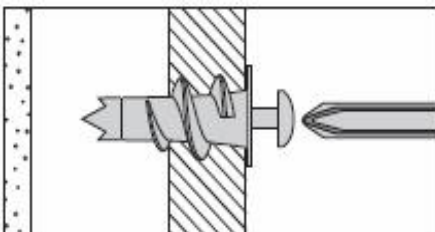
You can use one of the following types of wall plug if your walls are made of brick, breeze block, concrete, stone or wood.

No.1 "General Purpose" wall plug



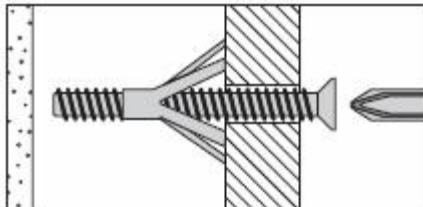
Generally aerated blocks should not be used to support heavy loads, use a specialist fitting in this case. For light loads, general purpose wall plugs can be used.

No.2 "Plasterboard" wall plug



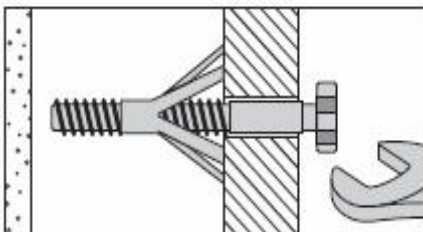
For use when attaching light loads on to plasterboard partitions.

No.3 "Cavity Fixing" wall plug



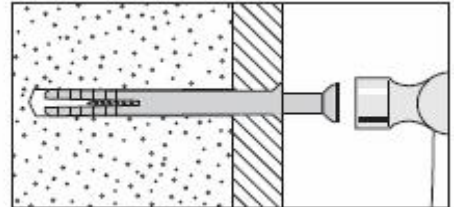
For use with plasterboard partitions or hollow wooden doors.

No.4 "Cavity Fixing-Heavy Duty" wall plug



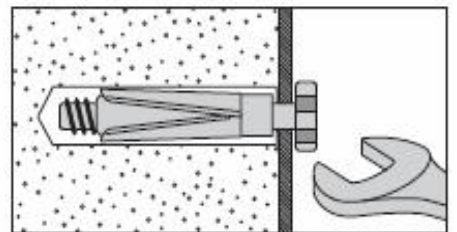
For use when fitting or supporting heavy loads such as shelving, wall cabinets and coat racks.

No.5 "Hammer Fixing" wall plug



For use with walls stuck with plasterboard. The hammer fixing allows it to be fixed to the wall rather than the plasterboard. Always check the fixing is secure to the retaining wall.

No.6 "Shield Anchor" wall plug  
Heavy loads



For use with heavier loads such as TV & HiFi speakers and satellite dishes etc.



## Care & Maintenance

**Safety:** Always check the fitting and location to ensure your safety in and around the home.

**Fitting:** From time to time check the fitting to ensure the wall plugs or screws do not become loose.

## Dear Customer

**Please note that the product you have purchased is a natural living timber.**

**Just like nature itself, wood varies in shape and colour. Knots, vein patterns, resin pockets and colour differences contribute to giving the piece of furniture its beauty and form - a natural part of solid wood.**

**Although the tree has been cut down and dried, it is still alive and therefore will react to high and low temperatures, light, humidity, drought and time.**

**In cold and dry periods, the wood contracts which may lead to small cracks in the piece of furniture. The reverse happens in warm and humid periods where the wood expands and this may result in slight unevenness.**

**The colour of the wood also changes with time, particularly if the furniture is placed in a light place. This is a natural process and part of owning a piece of furniture made of solid wood.**

**Any flexing that has occurred during transport will re-correct itself once this product is correctly assembled.**

**Tighten all joints of the furniture after six months.**

**Please keep these instructions in a safe place for future use.**