



Portable FM Radio Instruction manual

411008



You'll soon be up and running

Looking forward to your new Alba Portable FM Radio? Great. Then let's get you started.

Just follow this simple step-by-step guide and you'll be good to go.

Help and Guidance

We're here to help you get the most from your Portable FM Radio. Should you require any guidance, a simple solution can often be found online at:

www.argos-support.co.uk

1 Safety information

Important - Please read these instructions fully before installing or operating

General safety information

Keep the product and all its parts out of reach of small children.

This product is not intended for use by persons (including children) with reduced physical, sensory or mental capabilities, or lack of experience and knowledge, unless they have been given supervision or instruction concerning the use of the appliance by a person responsible for their safety.

Do not attempt to open the product. This product does not contain any user serviceable parts. Unauthorised handling of the device may damage it and will void your warranty.

To avoid possible hearing damage, do not listen to this radio at high volume levels for long periods of time. Always keep the volume within reasonable limits.

Power source

If the Radio will not be used for a long period of time, make sure that all of the batteries are removed from the battery compartment.

Only use recommended batteries or those of the same or equivalent type.

Do not mix old and new batteries or batteries of different types.

Batteries are to be inserted with the correct polarity.

The supply terminals are not to be short-circuited.

Never throw batteries in a fire or attempt to open the outer casing.

Batteries are harmful if swallowed, so keep away from young children.

• Danger of explosion if batteries are incorrectly replaced. Replace only with the same or equivalent type.

Moisture and water

• **Do not** leave it in low temperatures as moisture can form inside the product, which may damage the circuit board.

Heat sources and flames

• **Do not** leave it in high temperatures as electronic devices and plastic parts may warp in heat.

1

2

3

2 Using your Portable FM Radio

Let's get started

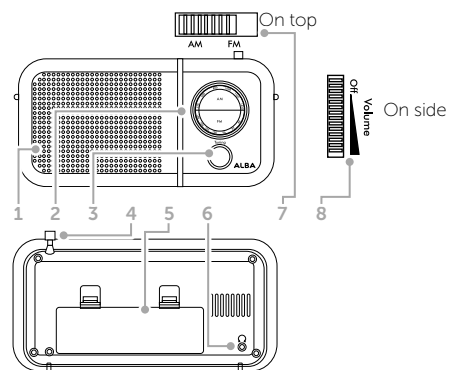


Fig 1.

- 1. Speaker
- 2. AM/FM station dial
- 3. Tune control
- 4. FM telescopic aerial
- 5. Battery compartment
- 6. Headphone socket
- 7. FM/AM band selector switch
- 8. On/Off/Volume wheel

Set up features

Inserting the batteries

- Before installing the batteries (not included) please ensure that the Radio is switched off, using the Power On/Off/Volume wheel on the side of the product.
- On the back of the radio, push down the two tabs to release and remove the battery compartment cover.
- Insert 4 x 1.5V AA-size (also known as UM-3) batteries, making sure to note the '+' and '-' markings and position the batteries the correct way around.
- Replace the battery cover, making sure it 'clicks' shut.

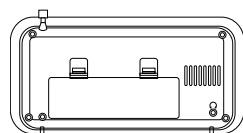


Fig 2.

Telescopic aerial

FM Radio - please make sure that the telescopic aerial is fully extended before you attempt to tune to an FM station. This will ensure that the maximum signal strength is available when the radio is scanning for stations. Extending the aerial also ensures the best possible sound quality.

AM Radio - the telescopic aerial is not needed for AM Radio as this product has an integral AM antenna. Turn the radio to obtain the best reception for listening to an AM station

Band selector switch

Slide the band selector switch on the top of the radio to AM or FM as appropriate.

Adjusting the volume

Turn the volume control wheel on the side of the radio to adjust the volume.

Tune control

Turn the rotary tune control on the front of the radio to locate each radio station.

5

6

7

3 Other information

Helpful technical information

Technical specification

Batteries (not supplied)	4 x 1.5V AA size (UM-3)
Headphone socket	3.5 mm
Frequency range	FM: 87.5MHz to 108MHz
	AM: 522kHz to 1620kHz

4 Product support

Help is always at hand

Troubleshooting

Radio reception is poor

If your radio is in FM mode check that you have fully extended the telescopic aerial.

Move the tune control slowly to tune to each station.

Check there are no other electrical appliances within 1 metre of your Portable FM Radio, which may be causing interference.

Try moving your Portable FM Radio to another location.

Radio will not switch on

The batteries may be exhausted and need to be replaced.

Help and assistance

If you require any technical guidance or find that your Portable FM Radio is not operating as intended, a simple solution can often be found in the Troubleshooting section of these instructions or online at www.argos-support.co.uk

Disposal



- This product should not be treated as normal household waste and it should be recycled. Please take it to your nearest collection facility or for further details contact your local council or visit www.recycle-more.co.uk
- Batteries contain substances that may be harmful to the environment and human health. Keep out of the reach of children and seek immediate medical help if swallowed.
- Batteries should not be disposed of in the normal household waste but taken to appropriate local recycling facilities, where and when these are available.
- Never throw batteries in a fire or attempt to open the outer casing.

ALBA

Your Alba Guarantee

This product is guaranteed for twelve months from the date of original purchase. Any defect that arises due to faulty materials or workmanship will be repaired free of charge (or if applicable the product will be replaced or the purchase price refunded) where possible during this period by the dealer from who your purchased the unit.

The guarantee is subject to the following provisions:

- The guarantee does not cover accidental damage, misuse, cabinet parts, knobs or consumable items.
- The product must be correctly installed and operated in accordance with the instructions contained in the manual.
- It must be used solely for domestic purposes. The guarantee will be rendered invalid if the product is re-sold or has been damaged by inexpert repair.
- Specifications are subject to change without notice.
- Alba disclaim any liability for loss or damage arising from the breakdown of the product.
- This guarantee is in addition to and does not diminish your statutory or legal rights.

This page is intentionally blank

This page is intentionally blank