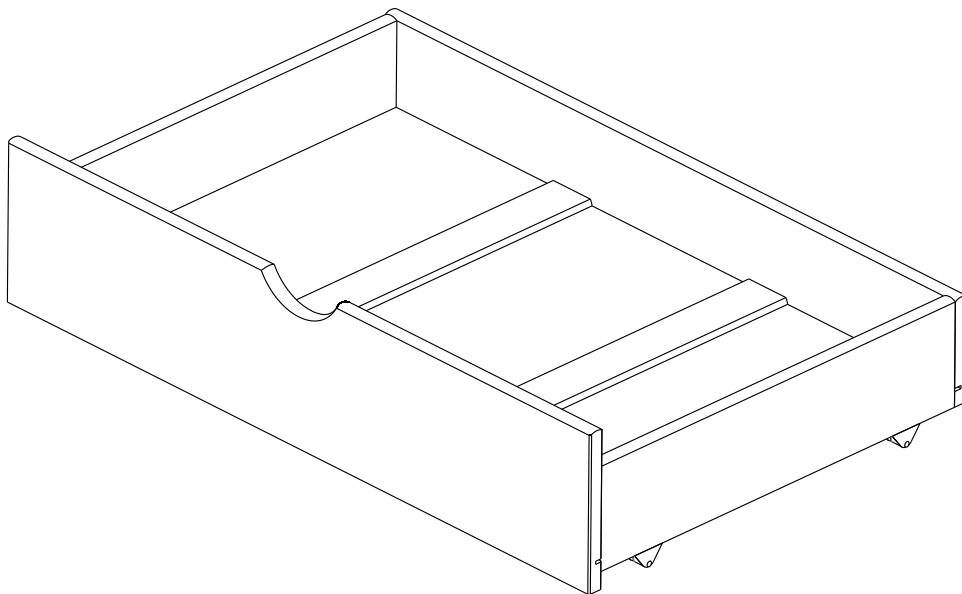
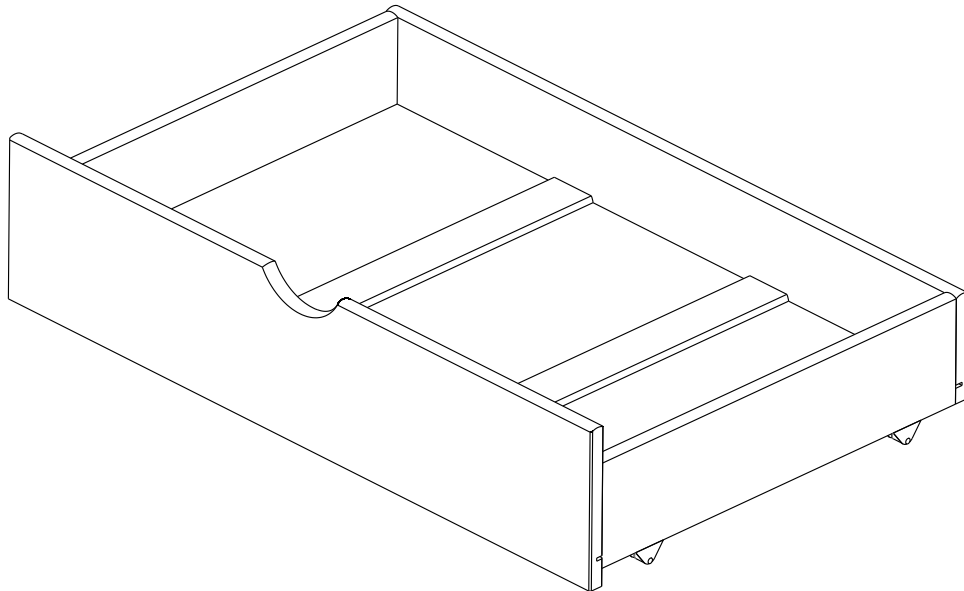


# Josie - Bunkbed Drawers

Assembly Instructions - Please keep for future reference

498/9141  
471/7801



## Dimensions

Width - 59.6cm

Depth - 93.0cm

Height - 20.5cm

**Important – Please read these instructions fully before starting assembly**

If you need help or have damaged or missing parts, call the **Customer Helpline: 03456 400 800**



# Safety and Care Advice

**Important** – Please read these instructions fully before starting assembly

- Check you have all the components and tools listed on pages 2 and 3.
- Remove all fittings from the plastic bags and separate them into their groups.
- Keep children and animals away from the work area, small parts could choke if swallowed.
- Make sure you have enough space to layout the parts before starting.
- Do not stand or put weight on the product, this could cause damage.
- Assemble the item as close to its final position (in the same room) as possible.
- Assemble on a soft level surface to avoid damaging the unit or your floor.

- This product has been produced from natural timber; you may notice some variation in the grain and colour of different component parts which is normal for furniture produced using natural wood and is not the result of any manufacturing fault.

- The product has been treated with a wax and oil finish to prevent dirt ingress and preserve moisture.

- On unpacking the furniture you may notice an odour due to this treatment; this will disappear once the furniture is unpacked and assembled after a period of time.

- This process may leave some staining on the packaging material; please take care to ensure this does not transfer to clothing or carpeted surfaces during assembly.



as this could damage the unit. Only use hand screwdrivers.

- We do not recommend the use of power drill/drivers **for inserting screws**,

- Parts of the assembly will be easier with 2 people.

- Dispose of all packaging carefully and responsibly.

## Care and maintenance

- Use an appropriate furniture polish for natural wood furniture and a dry cloth to clean the product.
- Avoid placing the furniture in direct sunlight as this will cause the timber to prematurely age.

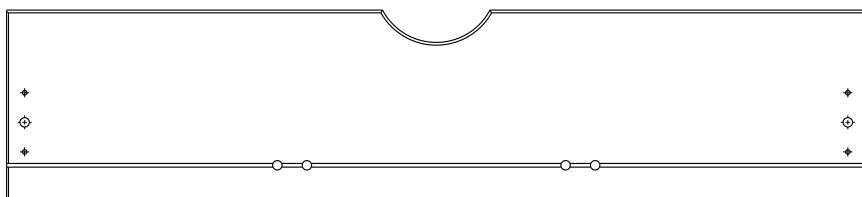
- From time to time check that there are no loose screws on this unit.

- This product should not be discarded with household waste. Take to your local authority waste disposal centre.

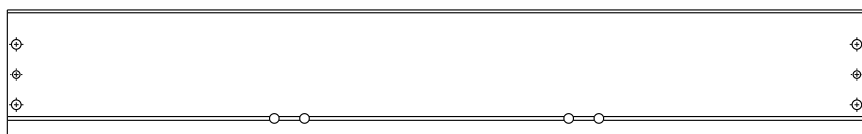
**Note:** If required the next page can be cut out and used as reference throughout the assembly. Keep this page with these instructions for future reference.

# Components - Panels

Please check you have all the panels listed below



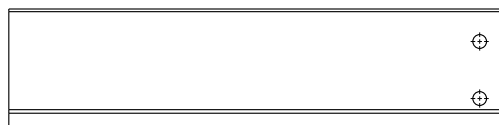
**1** Drawer front x 2 (93.0 x 20.5cm)



**2** Drawer back x 2 (91.0 x 13.7cm)



**3** Left drawer side x 2 (55.7 x 13.7cm)



**4** Right drawer side x 2 (55.7 x 13.7cm)



**5** Cross bar x 4 (55.7 x 6.5cm)



**6** Drawer base x 6 (57.5 x 26.5cm)

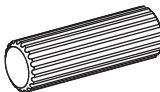
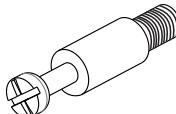
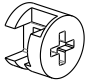
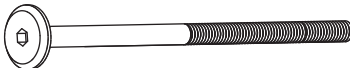


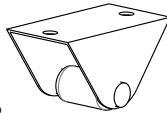
# Components - Fittings

If you have damaged or missing components, call the **Customer Helpline: 03456 400 800**

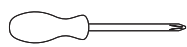
Please check you have all the fittings listed below

**Note:**

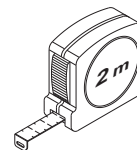
The quantities below are the correct amount to complete the assembly. In some cases more fittings may be supplied than are required.

<p><b>A</b></p>  <p>Wooden dowel x 28 10 x 40mm</p>	<p><b>B</b></p>  <p>Metal dowel x 8</p>	<p><b>C</b></p>  <p>Locking nut x 8</p>
<p><b>D</b></p>  <p>7 x 50mm Bolt x 4 Cab. 17</p>	<p><b>E</b></p>  <p>Allen key x 1</p>	<p><b>G</b></p>  <p>3.5 x 16mm Screw x 16</p>
<p><b>F</b></p>  <p>Wheel Rd20 x 8</p>		

## Tools required



Phillips screwdriver  
(medium & large)



Ruler/tape  
measure



Small  
hammer



Eye protection  
(when using a  
hammer or glue)

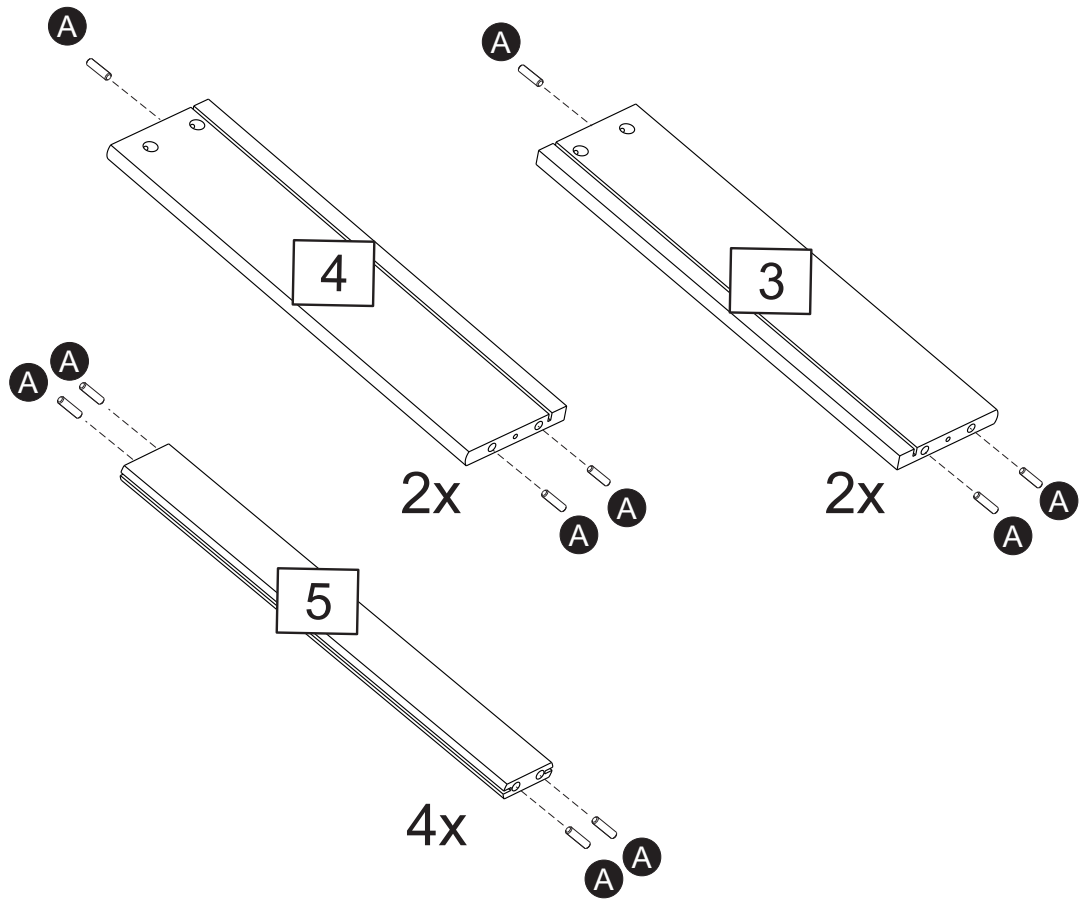
Ruler - Use this ruler to help correctly identify the screws



# Assembly Instructions

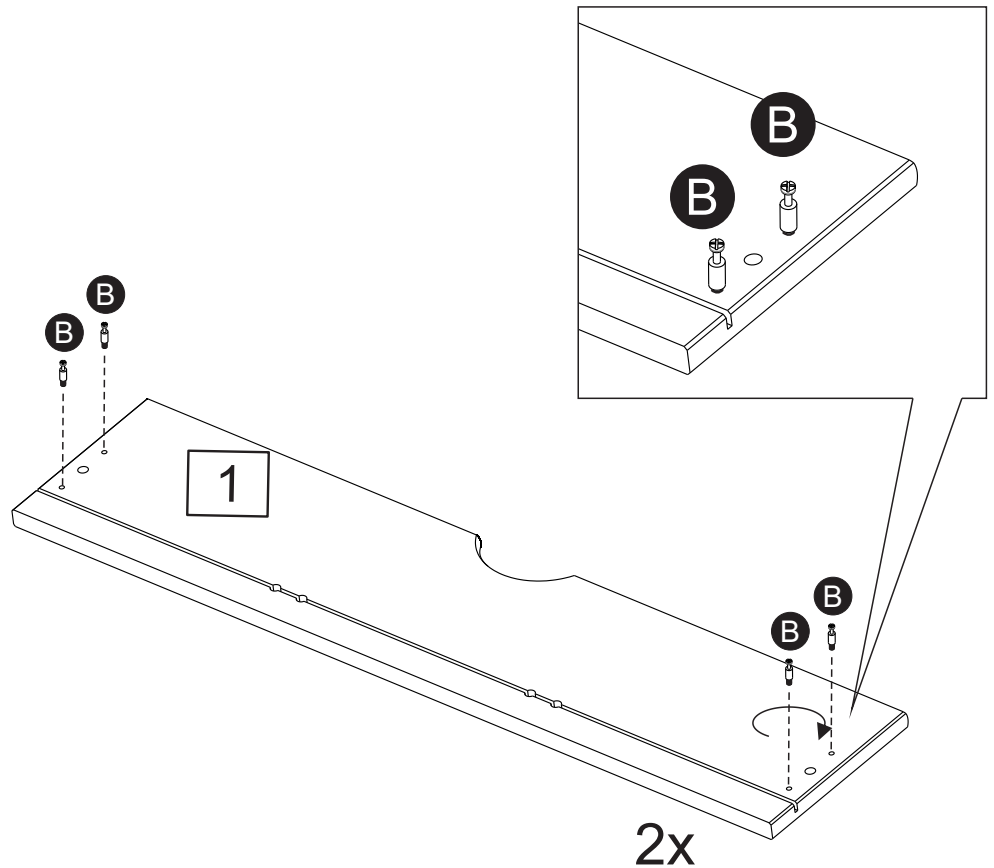
## Step 1

Insert wooden dowels **A** into the indicated parts.



## Step 2

Screw metal dowels **B** into drawer front **1**.



# Assembly Instructions

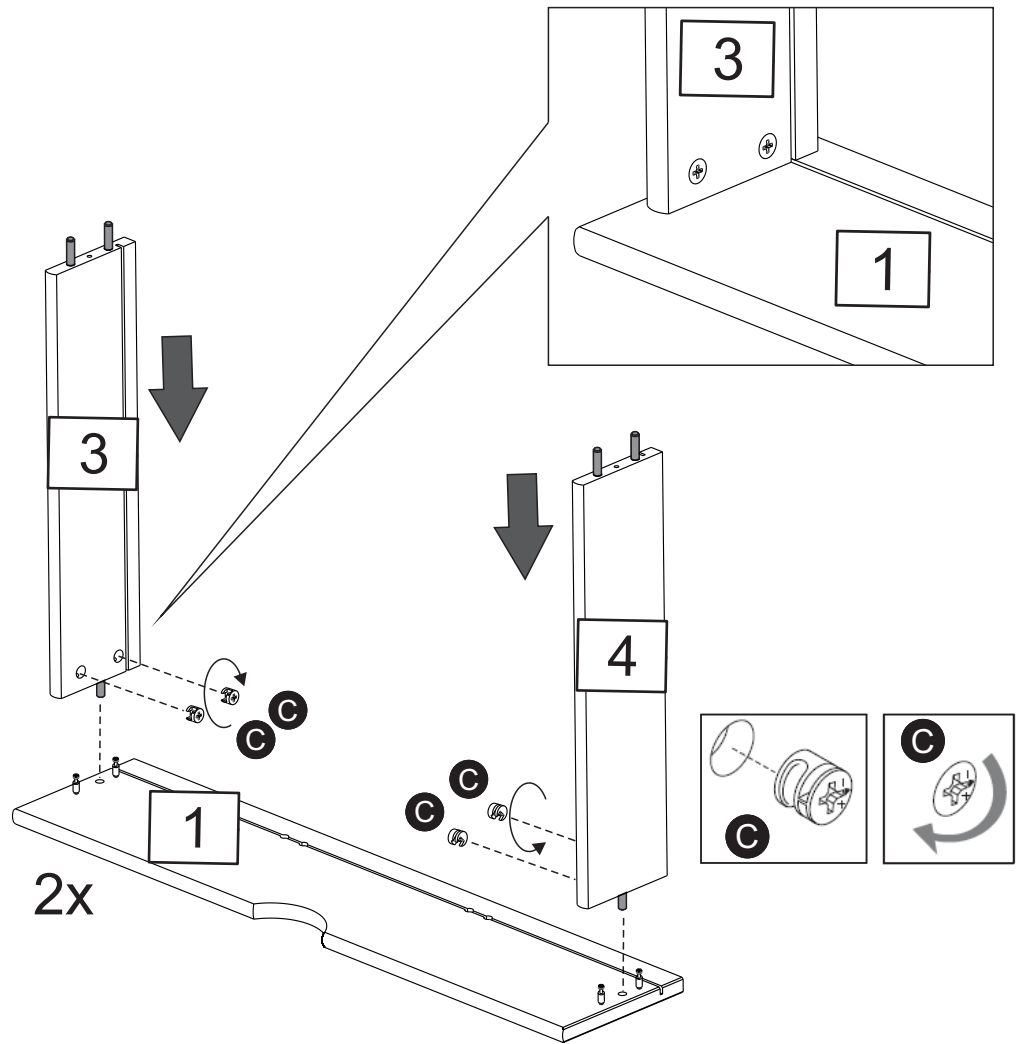
## Step3

### Assembling drawer sides.

Fit left drawer side **3** and right drawer side **4** to drawer front **1**.

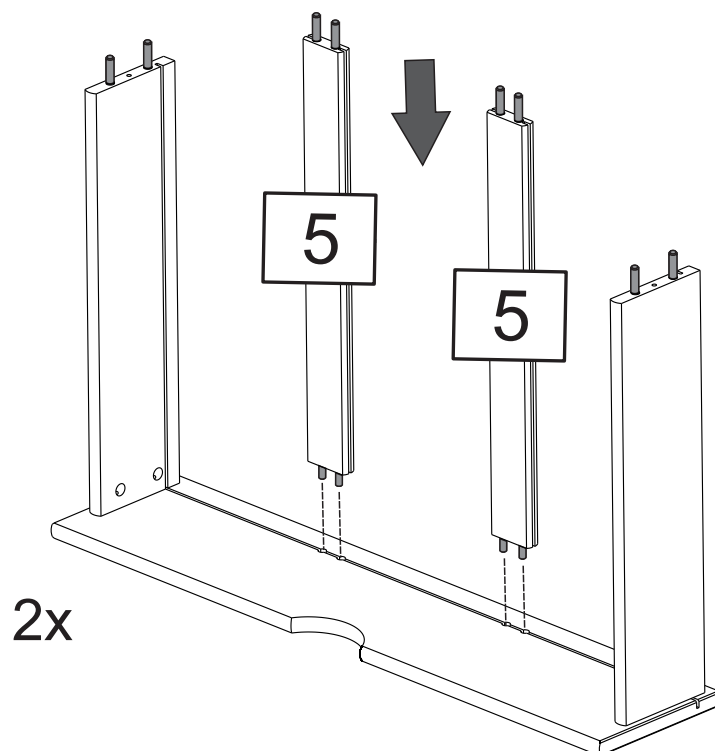
Insert 2 locking nuts into each drawer side as shown.

Use a screwdriver to turn locking nuts **C** clockwise to lock.



## Step4

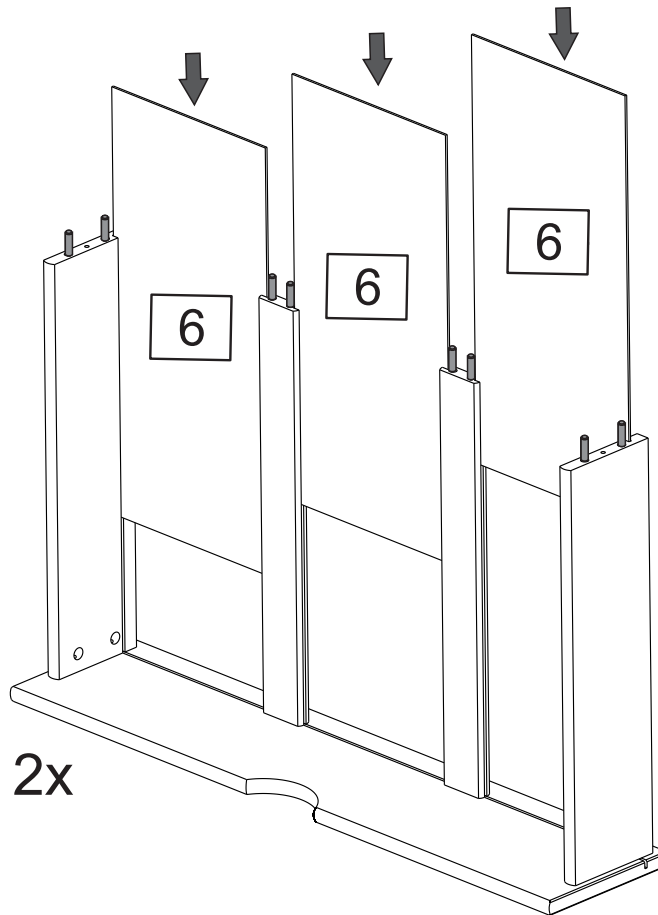
Fit cross bars **5** to drawer front.



# Assembly Instructions

## Step 5

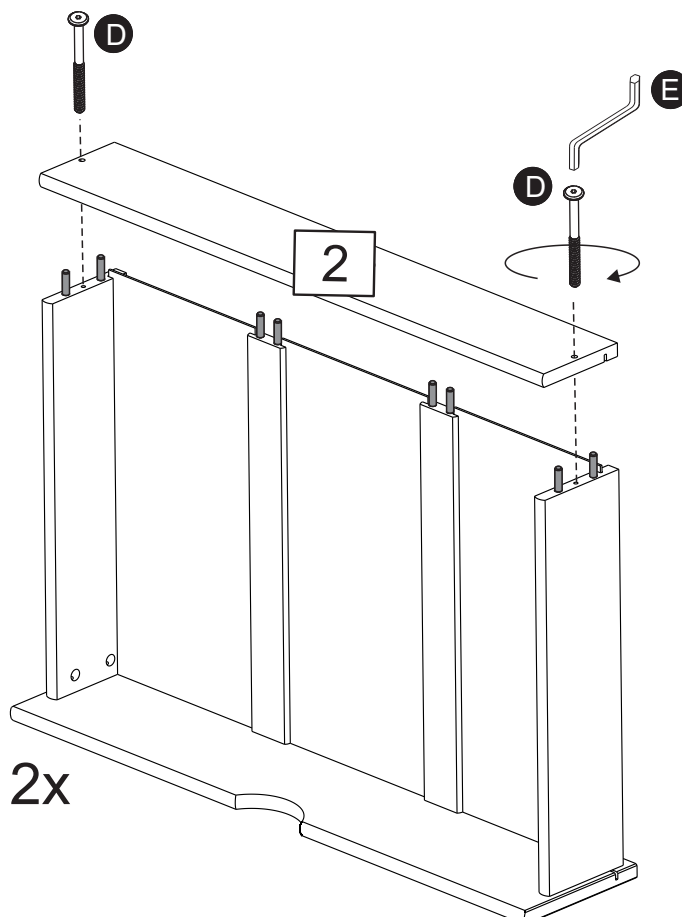
Slide drawer bases **6** into the grooves of drawer sides and cross bars.



## Step 6

With help, place drawer back **2** properly ensuring dowels in drawer sides and cross bars are all fit into the holes.

Then, fix drawer back using bolts **D** and allen key **E**.



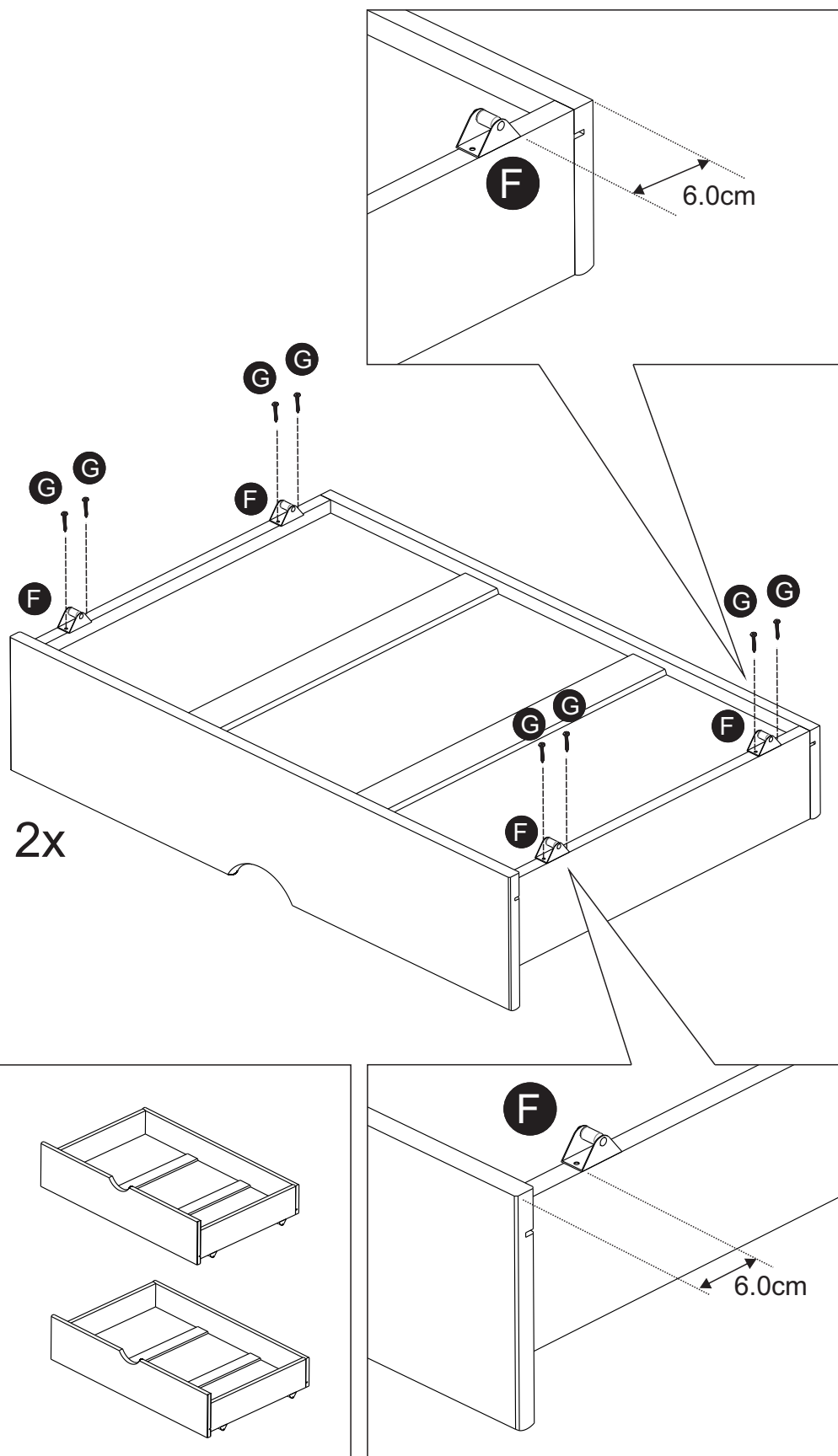
# Assembly Instructions

## Step 7

### Attaching wheels

Carefully turn the product upside down.

Fix wheels **F** using screws **G**. Leave 6cm distance from the drawer front and drawer back as shown.



**Assembly is complete.**

If you need help or have damaged or missing parts, call the **Customer Helpline: 03456 400 800**