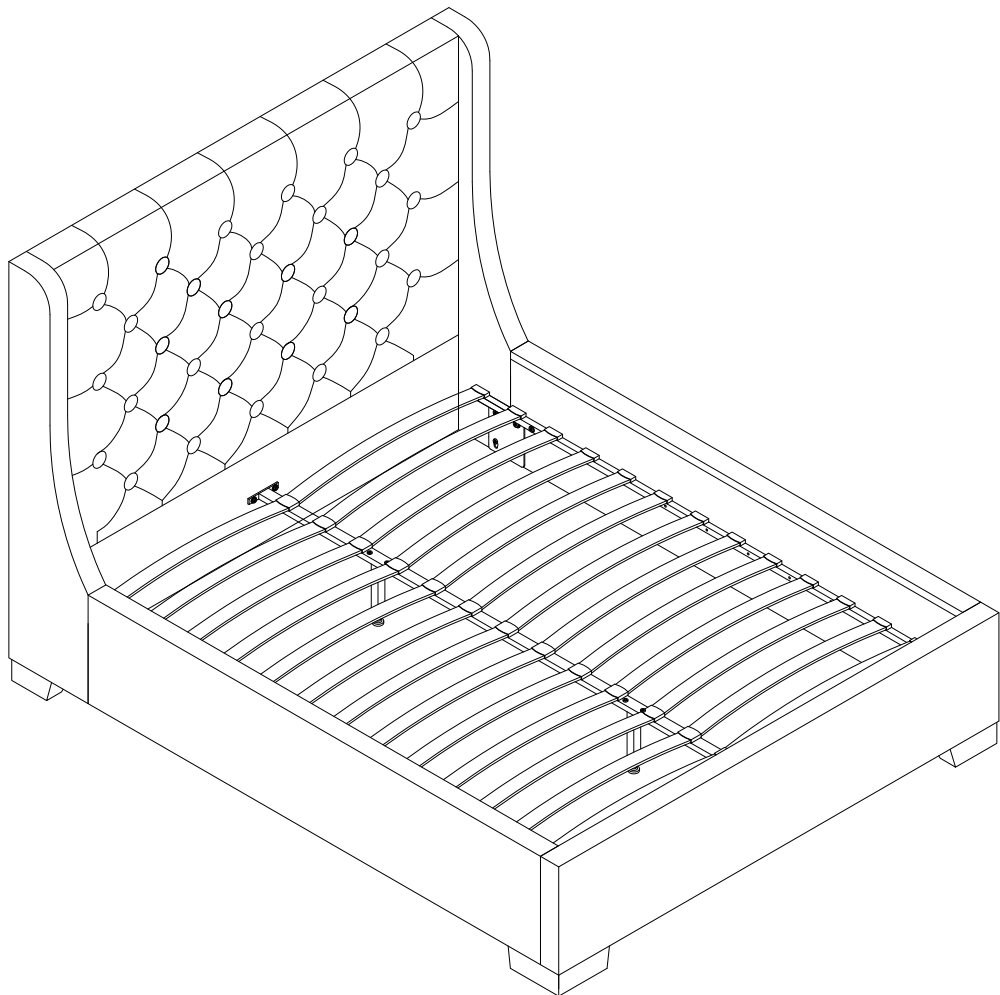


# Levena - 4FT6 Bed

Assembly Instructions - Please keep for future reference

4988829



## Dimensions

Width - 150cm

Depth - 209cm

Height - 125cm

**Important** - Please read these instructions fully before starting assembly

If you need help or have damaged or missing parts, call the **Customer Helpline: 03456 400800**



# Safety and care advice

## Important - Please read these instructions fully before starting assembly

- Check you have all the components and tools listed on the following pages.
- Remove all fittings from the plastic bags and separate them into their groups.
- Keep children and animals away from the work area, small parts could choke if swallowed.
- Make sure you have enough space to layout the parts before starting.
- During assembly do not stand or put weight on the product, this could cause damage.
- Assemble the item as close to its final position (in the same room) as possible.
- Assemble on a soft level surface to avoid damaging the unit or your floor.
- Parts of the assembly will be easier with 2 people.
- To reduce the likelihood of damaging your product please ensure that your power drill is set on a low torque setting.
- Improper use of electrical tools will crack the components.
- Dispose of all packaging carefully and responsibly.
- **WARNING!** Contains Silica Gel Desiccant. Discard safely away from babies and children.



## Care and maintenance

- Only clean using a damp cloth and mild detergent, do not use bleach or abrasive cleaners.
- From time to time check that there are no loose screws on this unit.
- This product should not be discarded with household waste. Take to your local authority waste disposal centre.

## Handy Hints

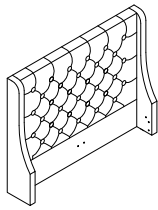
- Assemble all parts and bolts loosely during assembly, once the product is complete you should fully tighten the bolts.
- Regularly check and ensure that all bolts and fittings are tightened properly.

**Note:** If required, the next page can be cut out and used as reference throughout the assembly. Keep this page with these instructions for future reference.

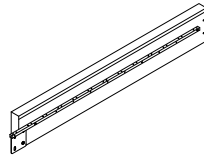
# Components - Panels

If you have damaged or missing components, call the Customer Helpline: 03456 400800

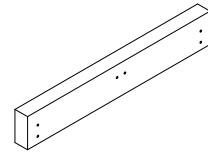
Please check you have all the panels listed below



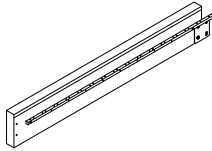
**1** Headboard x1(150x117.5cm)



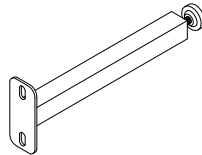
**2** Bed side x1(175x33cm)



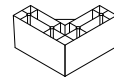
**3** Footboard x1(150x33cm)



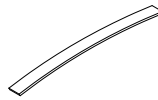
**4** Bed side x1(175x33cm)



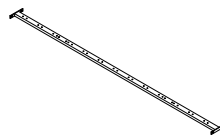
**5** Mid leg x2(9.2x4.1x31cm)



**6** Foot x4(15x15x7.5cm)



**7** Bed slats x26(68.5x5.5cm)

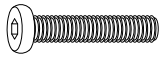


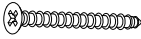

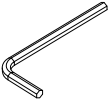
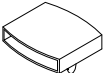
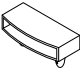

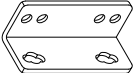
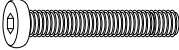


**8** Mid bar x1(193x10x2cm)

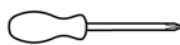
# Components - Fittings

Please check you have all the fittings listed below

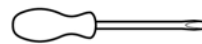
Note: The quantities below are the correct amount to complete the assembly. In some cases more fittings may be supplied than are required.

<p><b>A</b> </p> <p>Bolt x20(M8x45mm)</p>	<p><b>B</b> </p> <p>Spring Washer x12(Ø13xØ8.6x1.5mm)</p>	<p><b>C</b> </p> <p>Washer x14(Ø19xØ8.4x1.5mm)</p>
<p><b>D</b> </p> <p>Screw x16(Ø4*60mm)</p>	<p><b>E</b> </p> <p>Nut x4(M8*13*6.5mm)</p>	<p><b>F</b> </p> <p>Allen key (M5*40*100mm)</p>
<p><b>G</b> </p> <p>Plastic mid caps x13</p>	<p><b>H</b> </p> <p>Plastic end caps x26</p>	<p><b>I</b> </p> <p>Open spanner (85*26*T2.0mm)</p>
<p><b>J</b> </p> <p>Corner Bracket x2(130*47*47mm)</p>	<p><b>K</b> </p> <p>Bolt x2(M8x55mm)</p>	

## Tools required



Phillips screwdriver  
(medium & large)



Flatblade screwdriver  
(medium)

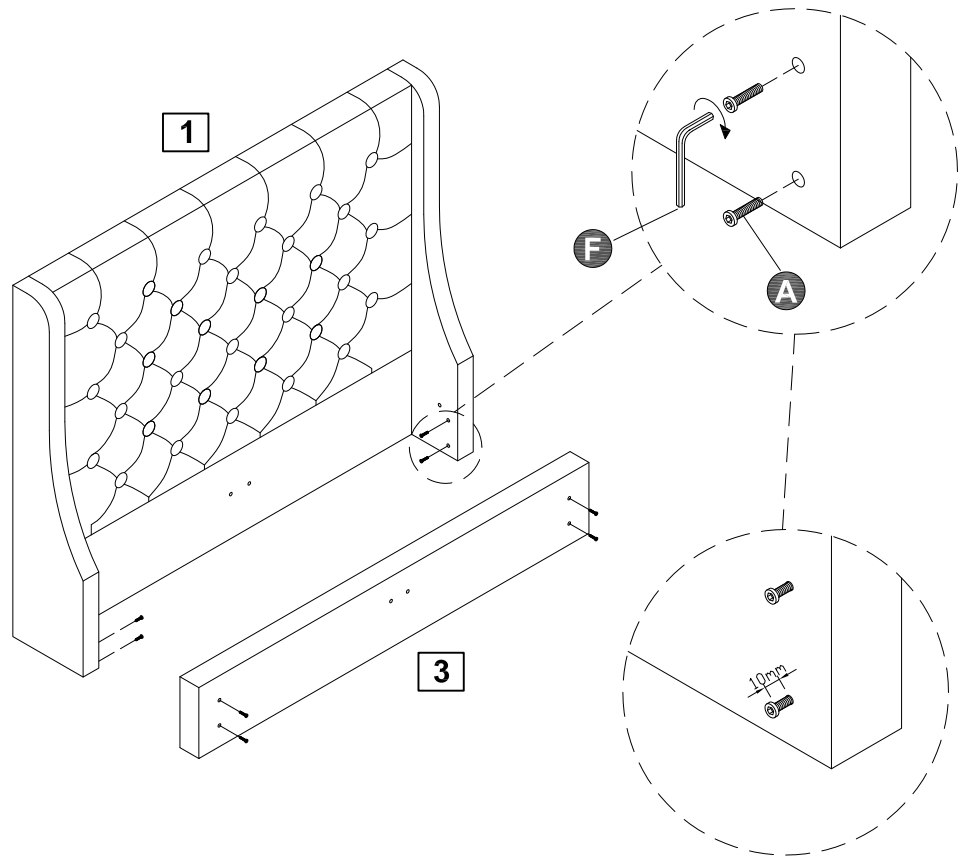
## Ruler - Use this ruler to help correctly identify the screws

0 5 10 15 20 25 30 35 40 45 50 55 60 65 70 75 80 85 90 95 100 105 110 115 120 125 130 135 140 145 150 155 160 165 170

# Assembly Instructions

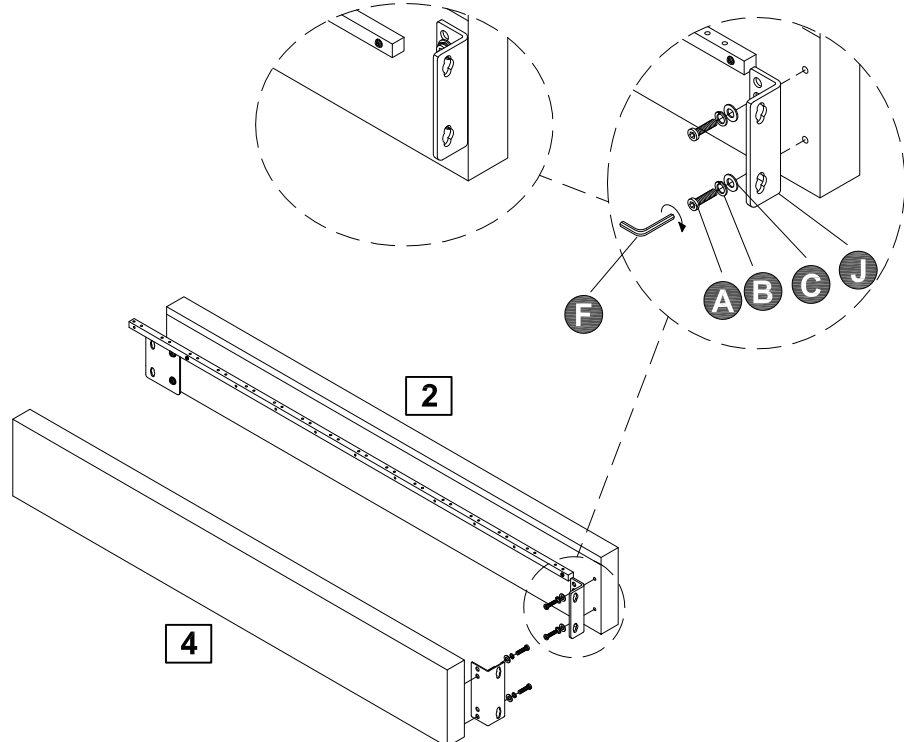
## Step 1

Screw bolts **A** using Allen key **F** onto the headboard **1** and footboard **3** as shown, and remember to keep 10mm outside.



## Step 2

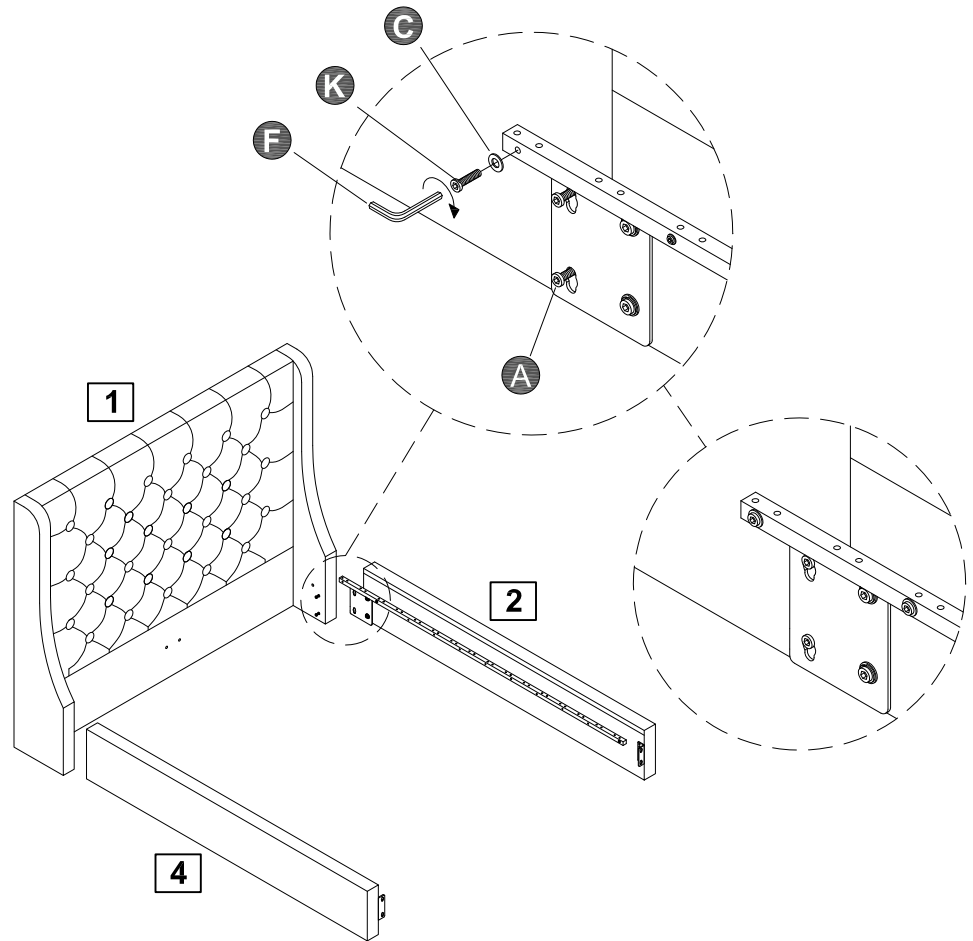
Attach the corner brackets **J** onto the bed side **2** and **4**, with bolts **A**, spring washer **B** and washer **C** use Allen key **F**.



# Assembly Instructions

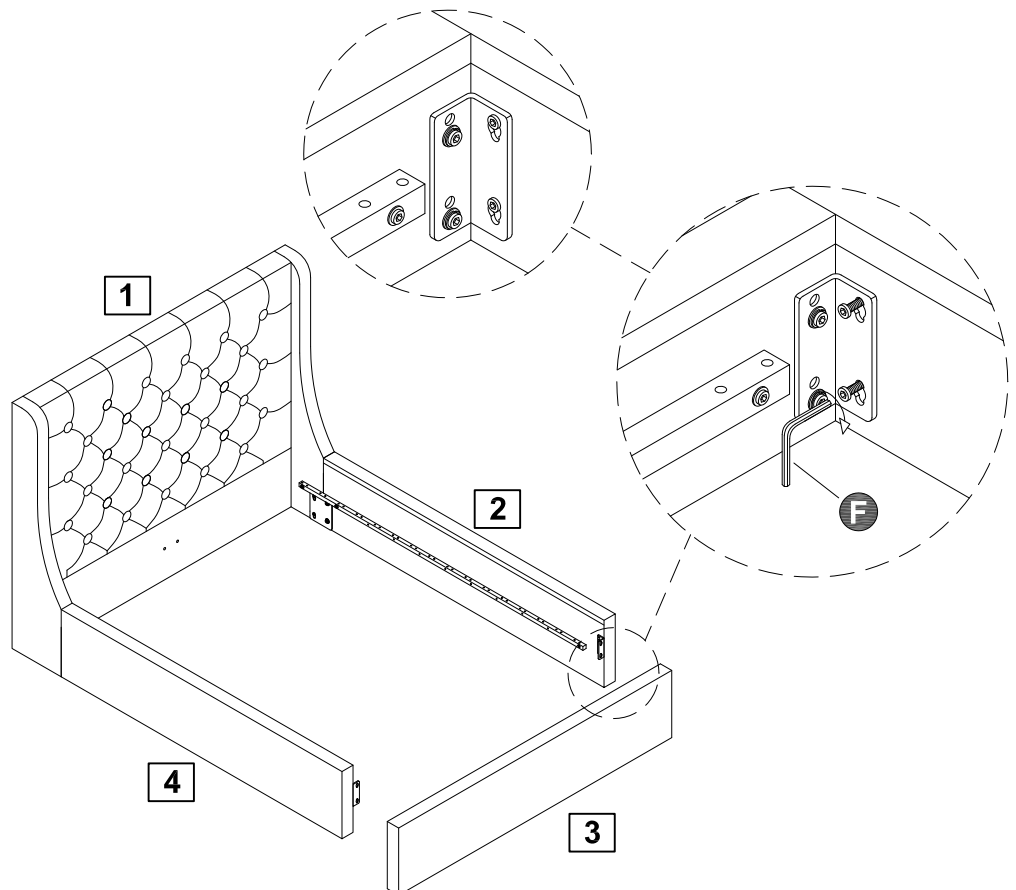
## Step 3

Connect the bed side **2** and **4** onto headboard **1** then fix the bolts **A** tightly with Allen key **F**. Then use bolt **K** and washer **C** to fix the support rails to the headboard **1** as shown.



## Step 4

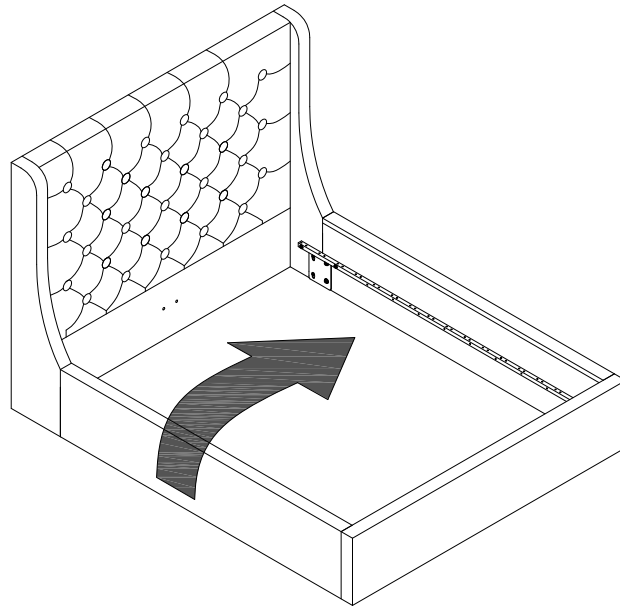
Connect the footboard **3** to the bed side **2** and **4** then fix the bolts tightly.



# Assembly Instructions

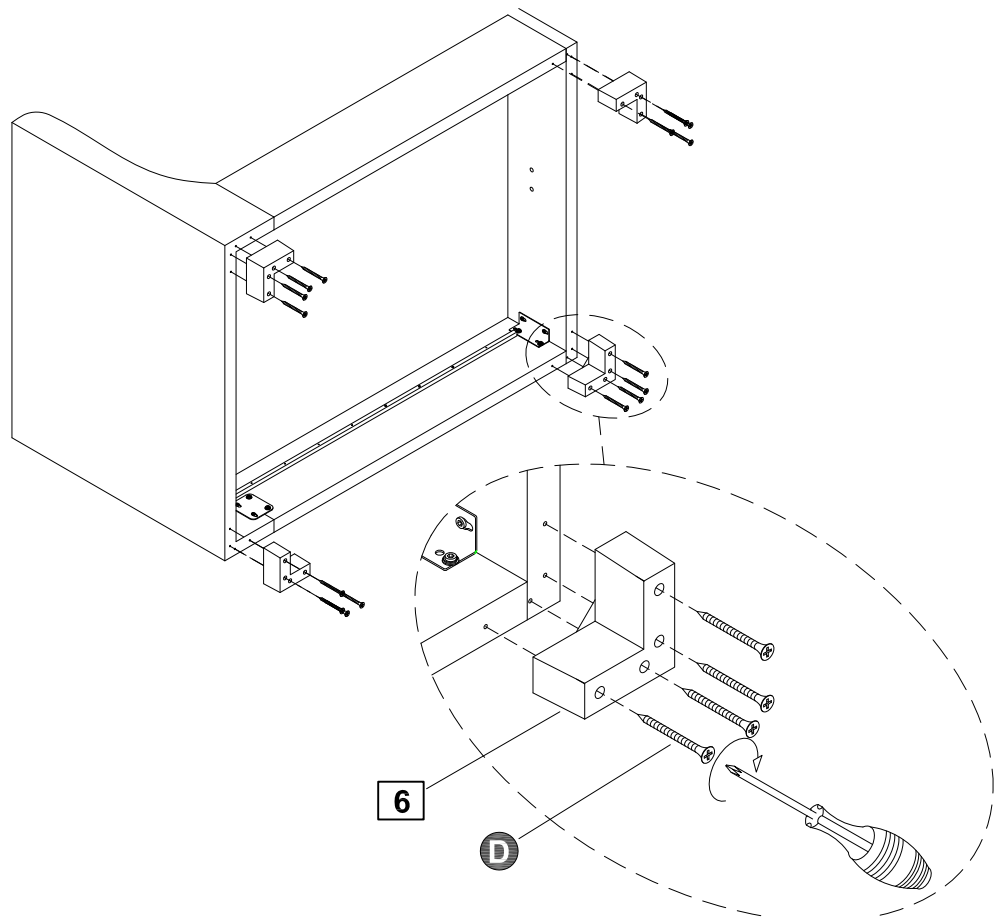
## Step 5

Lift up the connected frames, then lay one of the sides on the floor for assembling feet.



## Step 6

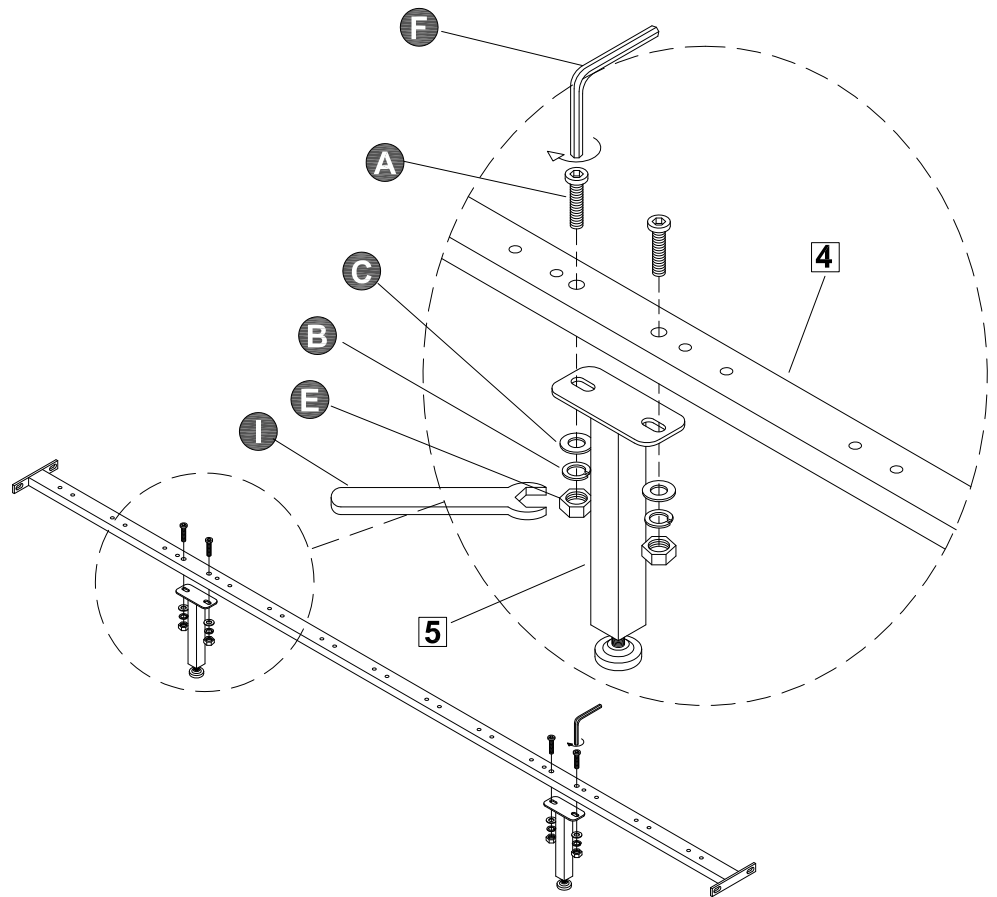
Use wood screws **D** to fix the foot **6** as shown. Then turn the bed back after all feet are well fixed.



# Assembly Instructions

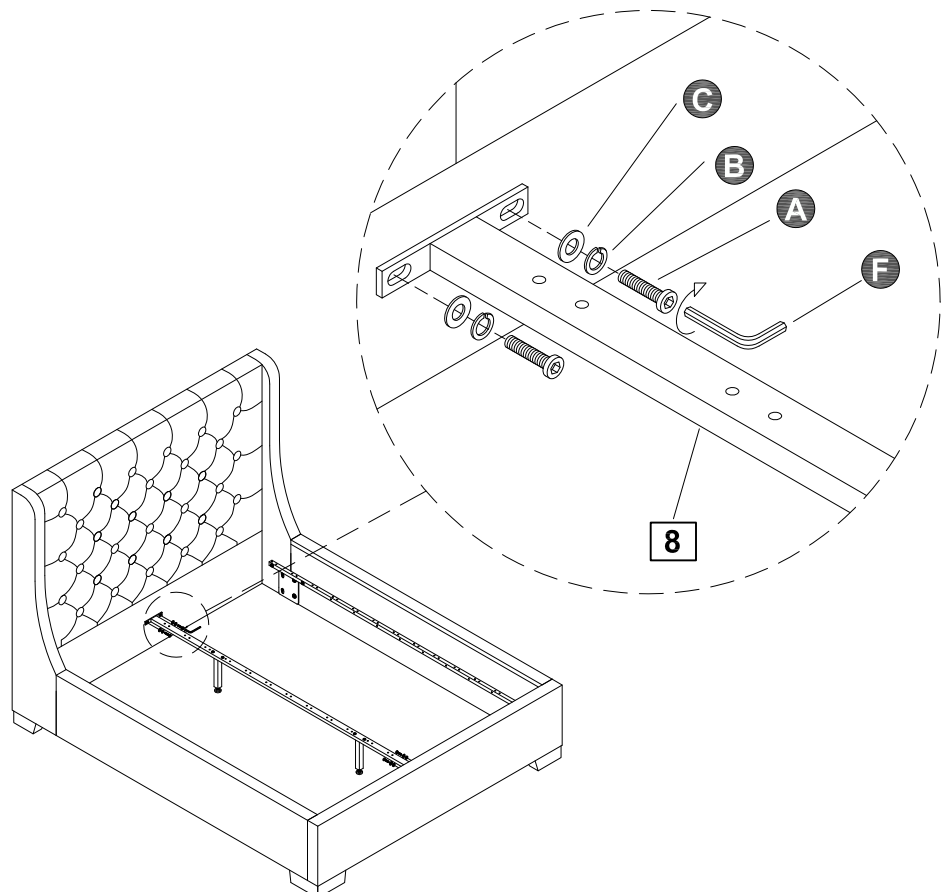
## Step 7

Use **A** **C** **B** and **E** to assemble the support legs **5** as shown, and use both **F** and **I** to tighten it.



## Step 8

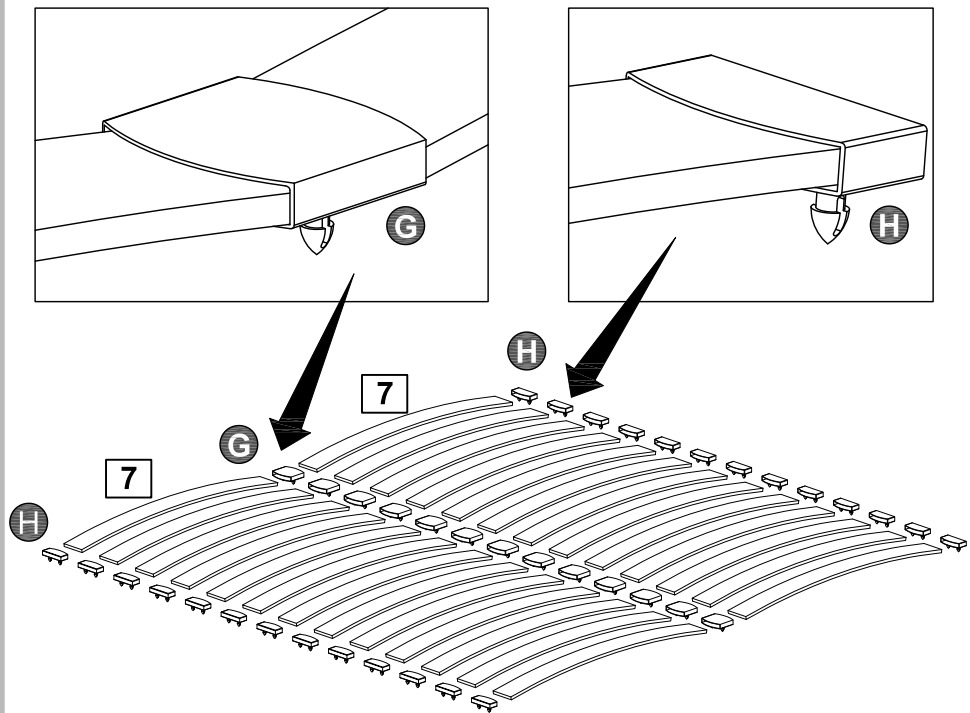
Attach the mid bar **8** onto headboard **1** and footboard **3** by using bolt **A** spring washer **B** and washer **C** and tighten the bolts.



# Assembly Instructions

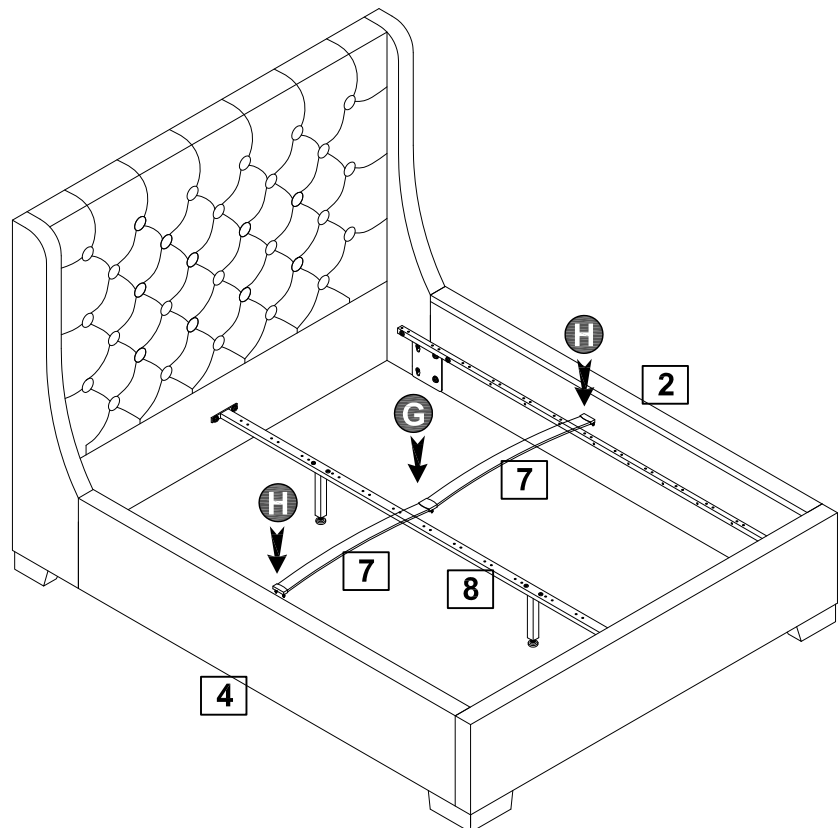
## Step 9

Place the plastic mid caps **G** and the plastic end caps **H** onto the slats **7** as shown.



## Step 10

Insert plastic mid caps **G** and plastic end caps **H** onto bedside **2**, **4** and mid bar **8** as shown.



Assembly is complete .