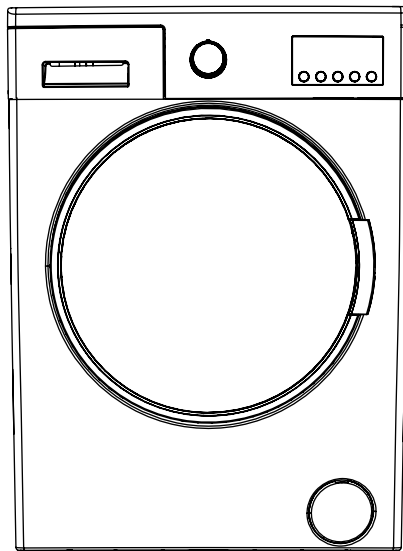


Installation & User Instructions – Please keep for future reference

WMNS714W

WMNS814W

WMNS814W



WMNS714W-WMNS814W-WMNS814B

Important – Please read these instructions fully before installing or using

These instructions contain important information which will help you get the best from your appliance and ensure safe and correct installation, use and maintenance.

If you need help or have damaged or missing parts, call the **Customer Helpline:0345 257 7271**

Safety Information **2**

Parts **3**

Installation **4**

Unpacking your washing machine 4

Removing the packing bolts 4

Adjusting the feet 4

Water inlet hose connection 5

Drain hose connection 5

Electrical connection 6

Introduction of control panel **7**

Detergent drawer 8

Programme selection 10

Electronic display 10

Auxiliary functions 12

Child Lock 14

Cancelling Programme 14

Finishing Programme 14

Programme Selection Guide **15**

User Instructions **16**

Before first use 16

Preparing for a wash 16

Error Signals **17**

Care and Maintenance **18**

Water inlet filters 18

Pump filter 18

Detergent drawer 19

Siphon plug 19

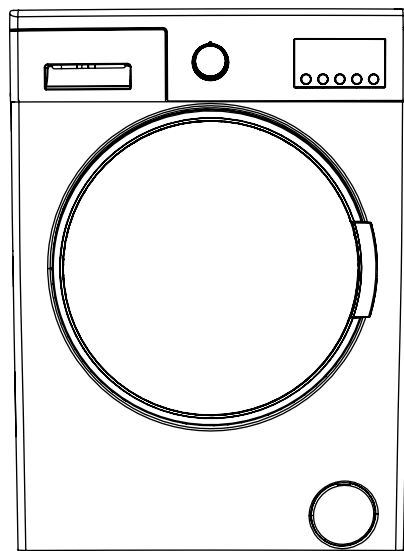
Cabinet 19

Drum 20

Trouble Shooting **21**

Technical Specifications **23**

Guarantee **24**



Product codes

WMNS714W

WMNS814W

WMNS814W



Safety Information

Important – Please read these instructions fully before installation

Before use

- The installation of this appliance is best carried out by 2 people.
- Dispose of all packing carefully and responsibly.
- This appliance is for indoor use only. Only install in a dry indoor environment.
- The appliance **MUST** be positioned on a firm level base.
- **Do not** position the appliance where it is exposed to direct sunlight or heat sources as this will age the plastic and rubber components.
- **Warning: Ensure all 4 packing bolts have been removed.**
- Ensure the appliance is connected directly to a domestic mains water supply.
- **Warning:** This washing machine **MUST** only be connected to a cold water supply.
- **Ensure** all electrical connections are as stated in this document.
- **Ensure** the appliance is plugged into a separate earthed socket that is easily accessible.
- **Ensure** the power lead is not trapped under the appliance.
- **Do not** connect the appliance to the power supply until installation is complete.
- This appliance is for domestic/household use only and is not suitable for commercial use.
- Check that the water hose joints and connections are secure and there are no leaks. If the hoses leak, do not use until the leaks have been stopped.

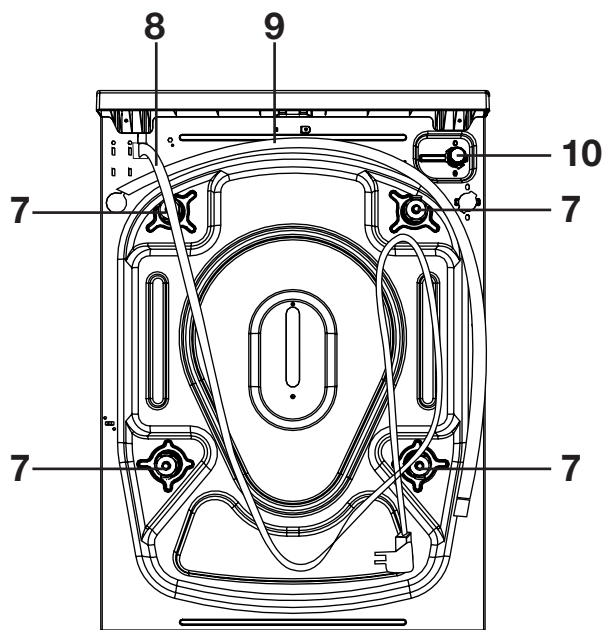
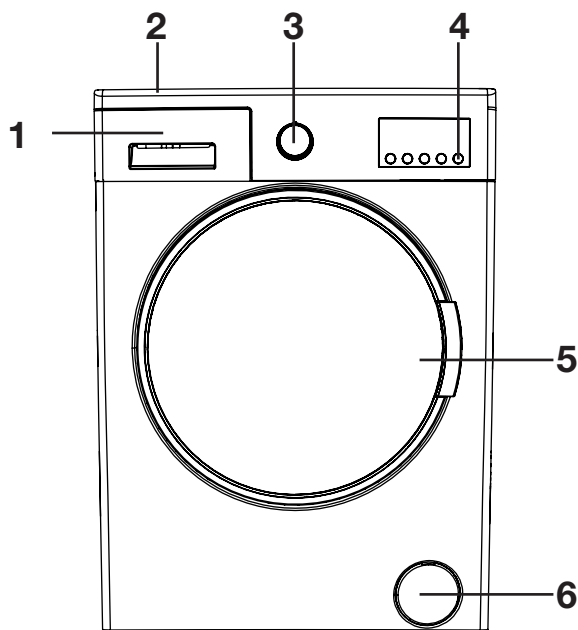
During use

- This appliance is not to be used by children or persons with reduced physical, sensory or mental capabilities, Persons with lack of experience and knowledge.
- **Do not** use a multiple socket or extension cord.
- **Do not** use if the power lead is damaged. It must be replaced by the manufacturer, their approved service agent or similarly qualified person.
- **Customer Helpline: 0345 257 7271.**
- **Do not** insert the plug into the power supply with wet hands.
- **Do not** touch or use the appliance when barefoot or with wet or damp hands.
- **Do not** open the detergent drawer during a wash cycle.
- **Do not** touch the porthole (door) during the washing cycle - it will get hot.
- **Never force the machine door open while the machine is running.**
- **Do not** open the door if water is visible through the porthole.
- **Do not** wash foam rubber or sponge like materials on a hot wash.
- The machine can reach high temperatures while running. **Do not** touch the drain hose or waste water during draining.
- **Do not** forget that the packing material of your machine may be hazardous for children.
- Keep your pet away from your machine.
- **Do not** use flammable detergent, sprays or dry cleaning agents in or near to the appliance.
- **Do not** remove or insert the plug in the presence of flammable gas.
- The appliance should not be put on a carpet which can block the air ventilation on the bottom side.
- **Do not** place heavy objects or sources of heat or damp on top of the washing machine.
- Only use detergents which are suitable for automatic washing machines and follow the detergent manufacturers recommendations.
- **Do not** use this appliance if there are any missing or damaged parts.
- **Do not** attempt to repair the appliance yourself. Contact the manufacturer, their approved service agent or the **Customer Helpline: 0345 257 7271.**

Parts

If you have damaged or missing parts,
call the **Customer Helpline: 0345 257 7271**

Please familiarise yourself with the parts and accessories listed below



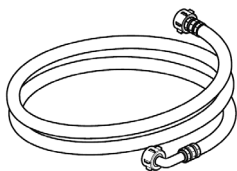
Front

1. Detergent drawer
2. Top panel
3. Programme Dial
4. Start/Pause button
5. Door
6. Filter

Back

7. Packing bolt x 4
8. Power lead
9. Drain hose
10. Water inlet

Accessories included



Water inlet hose x 1



Plastic plug x 4

Unpacking your washing machine

Caution: 2 people are required to unpack the washing machine, it is recommended that gloves are worn.

a: Carefully remove all packaging materials including the foam base, dispose of correctly.

Note: When opened, water droplets may be visible in the drum etc. this is normal as each appliance is factory tested.

Removing the packing bolts

Important: The packing bolts are designed to support the internal components during transit, these **MUST** be removed before use.

a: Loosen the screws by rotating counterclockwise with a suitable wrench. **(1 & 2)**

b: Remove the bolts by pulling them. **(3)**

c: When the transport bolts have been removed, insert the plastic transport screw taps found in the accessories bag into the holes. **(4)**

Adjusting the feet

a: For your machine to work efficiently with minimum vibration it should be settled on flat, non-slippery, firm ground.

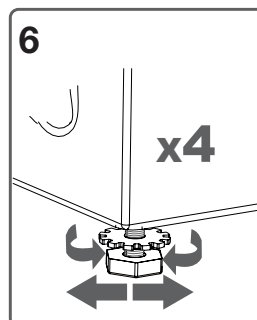
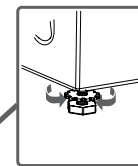
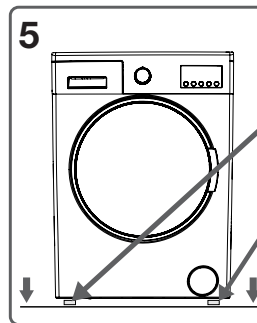
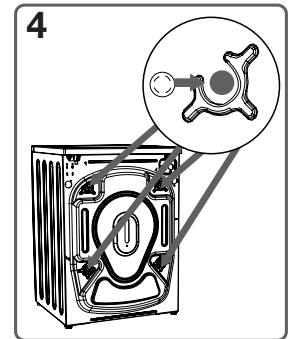
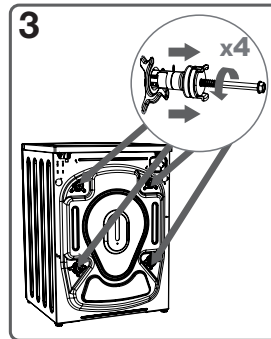
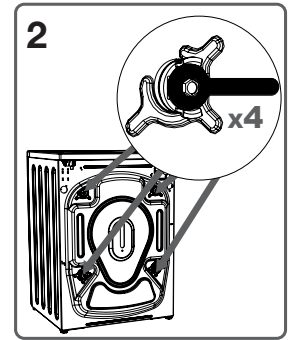
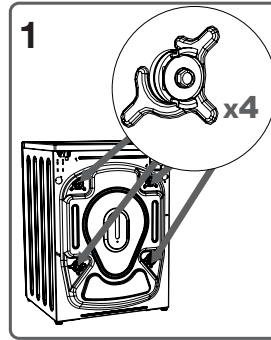
b: You can adjust the balance of your machine by changing the positioning of its feet.

c: First, loosen the plastic adjustment nut. **(5)**

d: Adjust by rotating the feet upwards or downwards. **(6)**

e: After the desired position has been reached, tighten the plastic adjustment nut again by rotating it upwards.

Note: Never put cartons, wooden blocks or similar materials under the machine to balance irregularities in the level of the ground.





Installation

If you have damaged or missing parts,

call the **Customer Helpline: 0345 257 7271**

Water inlet hose connections

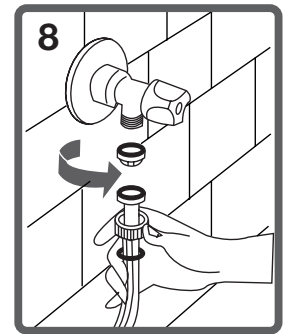
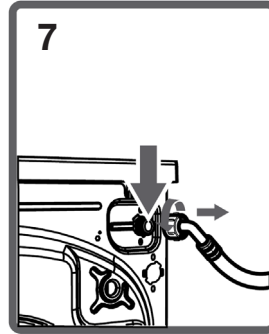
Important: This washing machine **MUST** only be connected to a cold water supply.

a: Connect the water inlet hose, the angled connection attaches to the water inlet on the back of the washing machine. **(7)**

b: The straight connection attaches to the water supply valve. **(8)**

c: Ensure all seals are in place before connecting.

Important: Only tighten the hose connection nut by hand - do not overtighten.

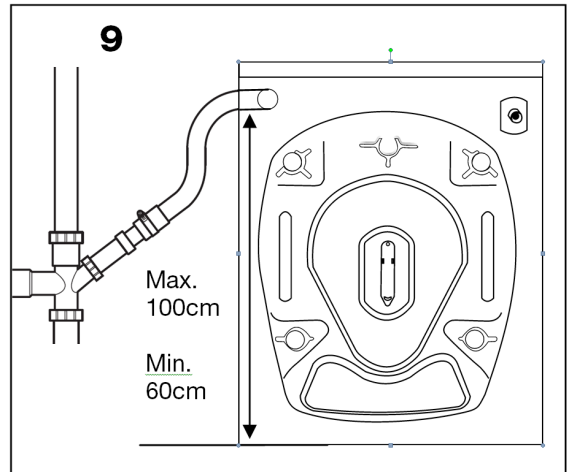


Drain hose connections

Important: The height of the top of the curve in the drain hose **MUST** be between 60 - 100cm from the floor. **(9)**

Important: The end of the water drain hose may be fitted directly to the waste water outlet hole or a special apparatus mounted on the outlet bracket of the wash-stand.

Important: Never attempt to extend the water drain hose by adding extra parts.



Electrical connections



Any electrical work that is required to install this washing machine MUST be carried out by a qualified electrician.



Warning: THIS APPLIANCE MUST BE EARTHED

Before making any electrical connections, ensure that:

- Ensure the power socket is suitable for the maximum power of the washing machine (fuses in the power circuit must be 13 amp).
- The supply voltage should be the same as that indicated in the technical specifications (page 17) and the appliance rating plate (located where shown).
- The appliance should be earthed and in compliance with the applicable law.
- Additional earth cables should not be necessary if the plug and socket are earthed. If necessary, an additional earth cable should be attached to the earth terminal on the back of the washing machine and earthed.
- When installed, the power socket must be within easy reach.
- The use of adapters, multiple connectors or extension cables are not recommended.
- The appliance must be connected to a 220-240 volt 50 cycle AC supply by means of a three pin socket, suitably earthed and protected by a 13 amp fuse.
- Should the fuse need to be replaced, a 13 amp fuse approved to BS1363/A must be used.
- The plug contains a removable fuse cover that must be refitted when the fuse is replaced. If the fuse cover is lost or damaged, the plug must not be used until a replacement cover has been fitted or the plug is replaced.
- A damaged plug should be cut off as close to the plug body as possible, the fuse should be removed and the plug disposed of safely.

Plug replacement (UK & Ireland only)
Should you need to replace the plug; the wires in the power cable are coloured in the following way:

Blue – Neutral 'N'
Brown – Live 'L'
Green & Yellow – Earth 'E'

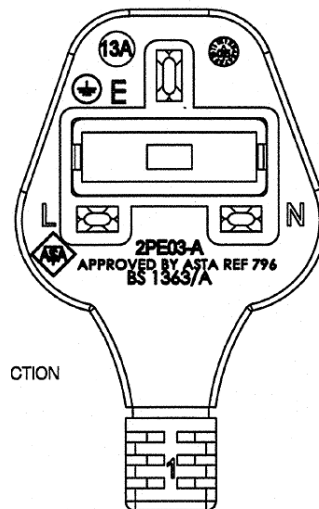
As the colours of the wires in the power cable may not correspond with the coloured markings identifying the terminals in your plug, and proceed as follows:

The green & yellow wire must be connected to the terminal in the plug that is marked with the letter E or by the earth symbol.

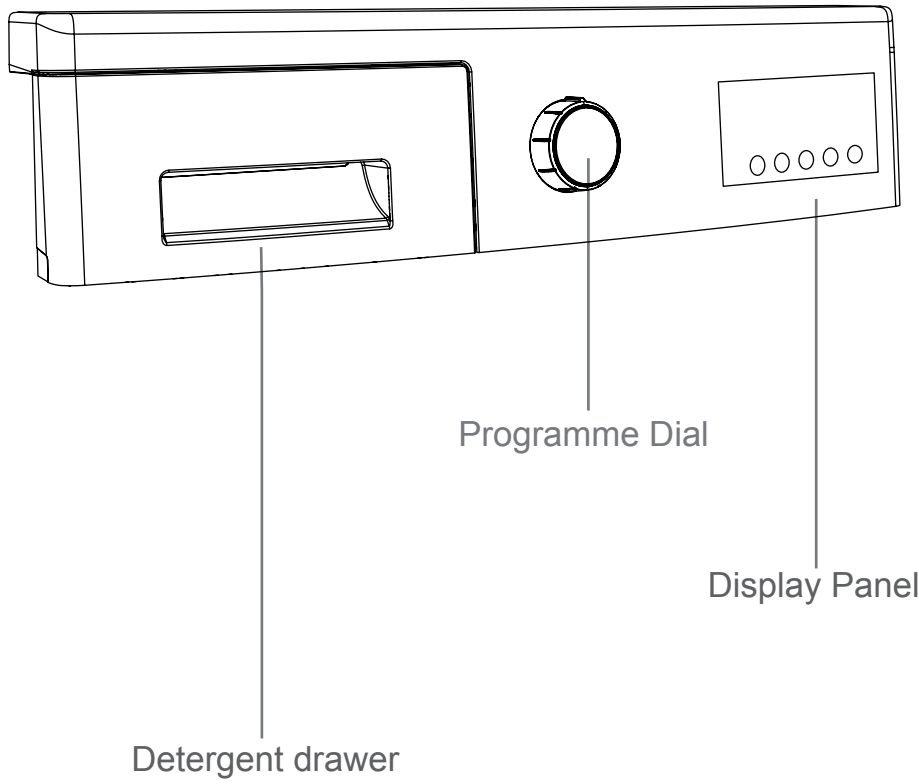
The blue wire must be connected to the terminal that is marked with the letter N.

The brown wire must be connected to the terminal that is marked with the letter L.

If the power lead is damaged, it must be replaced by a qualified electrician.



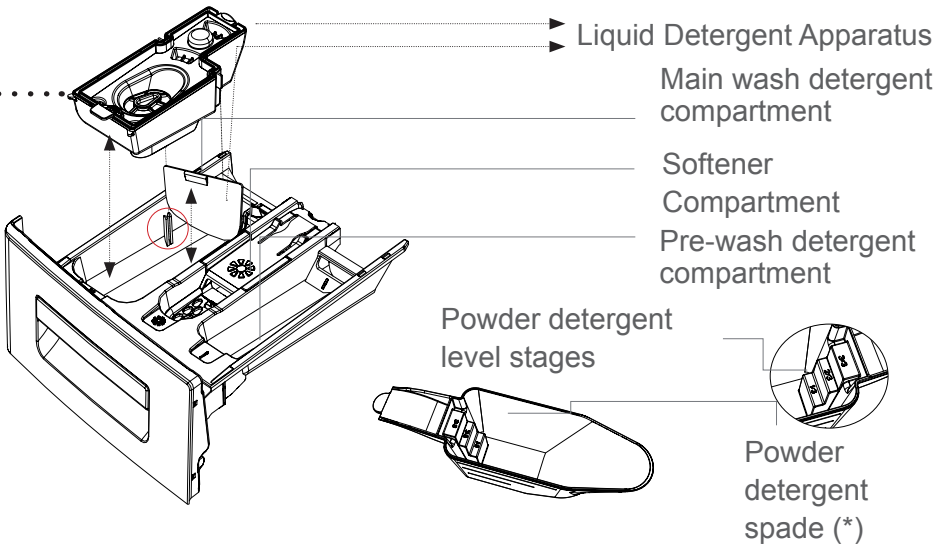
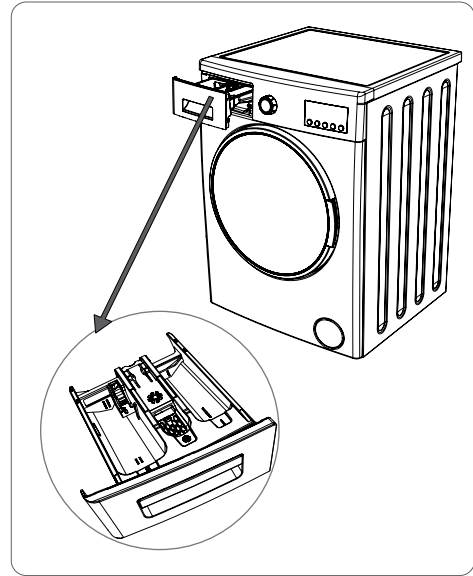
Introduction of control panel



Introduction of control panel

Detergent drawer

You can use the liquid level determination plate when you want to wash your laundry with liquid detergent. You can use your liquid detergents in all programs without prewashing. Place the liquid detergent apparatus in the second compartment (which is available inside the machine) of the detergent drawer (*) and set the detergent amount. (Use the recommended amount of liquid detergent by detergent producers). Do not exceed the MAX level, use only for liquid detergent, do not use this apparatus for powder detergent and take it out.)



(*) Machinery specifications may vary depending on the product purchased.

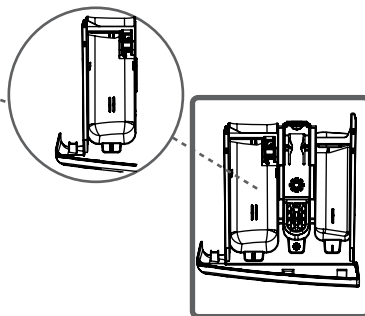
Introduction of control panel

Detergent drawer

Sections

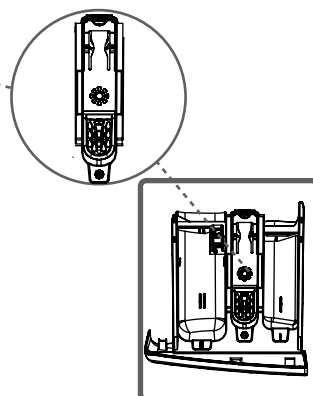
Main wash detergent compartment:

In this compartment, only materials like detergent (liquid or powder), lime preventer and such can be used. You can find the liquid detergent apparatus inside your machine at first installation. (*)



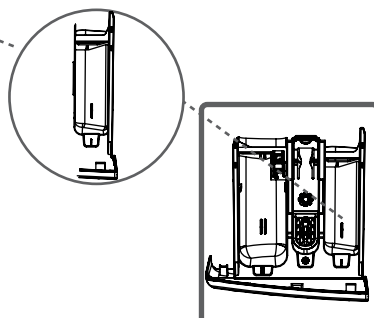
Fabric conditioner, starch, detergent compartment:

You can use softener for your laundry (recommended amount and type by the producer is recommended). Sometimes the fabric conditioners you use for your laundry may remain in this compartment. The reason for this is that the conditioner is not viscous. To prevent this situation, other liquid softeners are recommended to be used or the softener could be thinned and then used.



Pre-wash detergent compartment:

This compartment must only be used when the pre-wash feature is selected. Pre-wash feature is recommended for very dirty laundry.



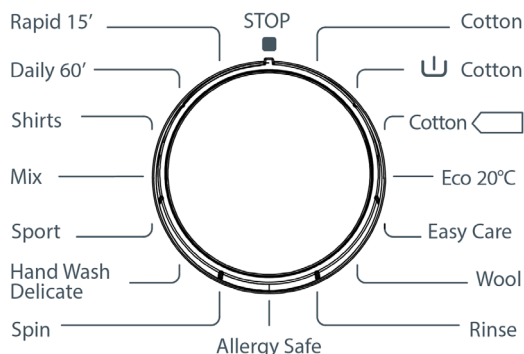
(*) Machinery specifications may vary depending on the product purchased.

Introduction of control panel

Programme selection

Programme selection dial

With the programme dial, you can select the programme with which you desire to wash your clothes. You can select programmes by turning the programme dial in both directions. You must be careful that the adjustment sign of the programme dial is exactly on the programme you want to select. If you move the programme dial to 0 (off) position, while your machine is running, your programme will be cancelled.



Electronic display

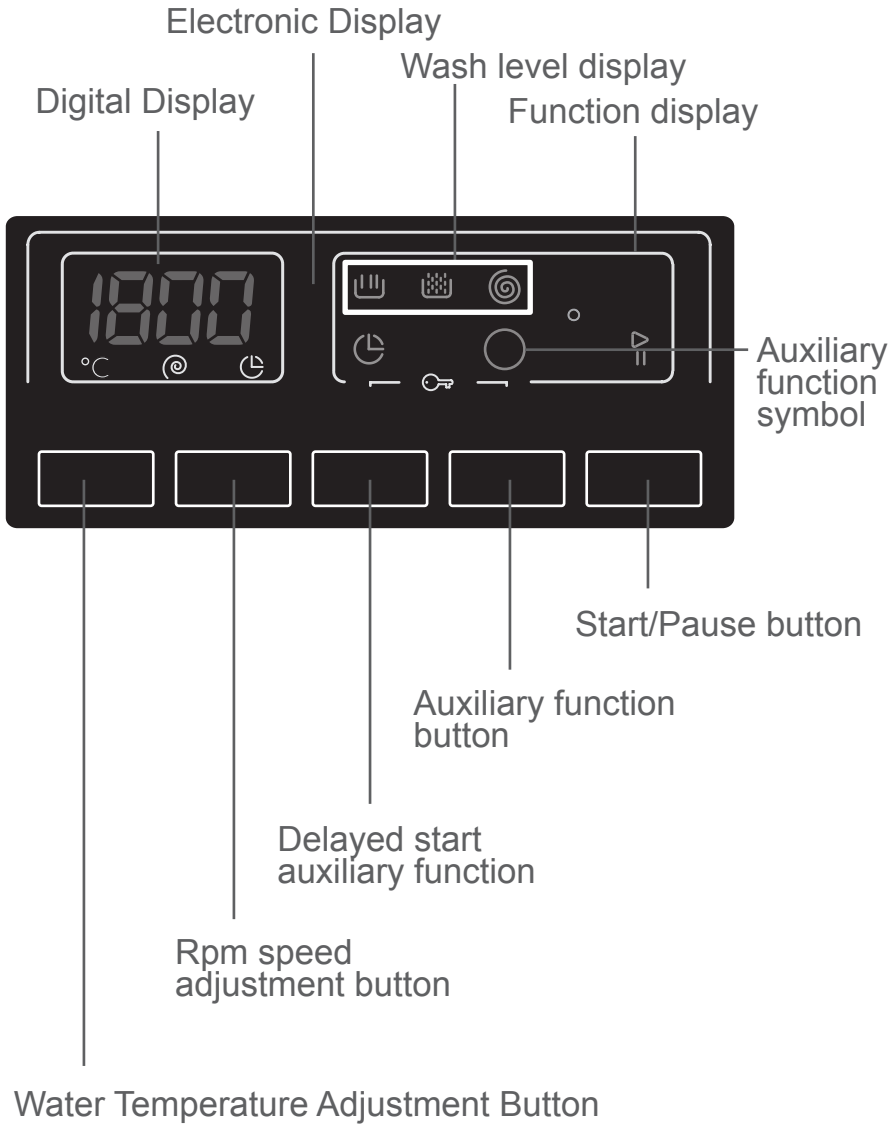
On the electronic display, you may view washing water temperature, spinning revolution speed of your machine, when your machine will finish washing, the auxiliary functions you have selected and at what stage the programme you have chosen is, (☰ → prewash/wash, ☳ → rinsing, ☉ → spinning).

Furthermore, electronic display will warn you by means of fault symbols on the display when a fault occurs on your machine and notify you of the completion of the washing programme by revealing expression of "END" on the display as soon as the washing programme you have selected has finished as well.

Note: If you want to activate an additional function after the machine has started washing, press the additional function button that you want to use. If the additional function selected can still be used at that programme stage, the LED of the function button will be turned on and the function will be added to the programme. If the LED is not turned on, the function selected is not possible at that stage of the current programme and will not be activated.

Introduction of control panel

Electronic display



Introduction of control panel

Auxiliary functions

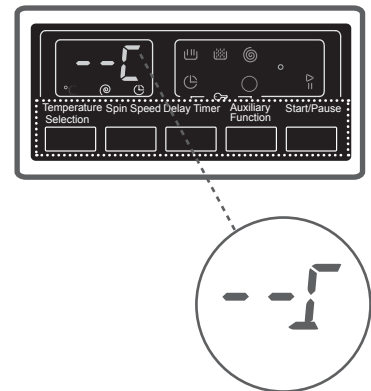
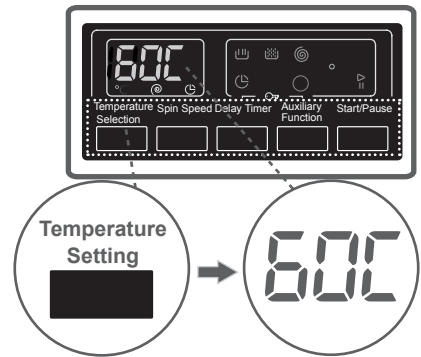
1- Temperature selection

You can select the washing water temperature with the washing water temperature adjustment button.

Whenever you select a new programme, the maximum washing water temperature is shown on the washing water temperature display.

You can gradually decrease the washing water temperature between the maximum temperature and cold washing (--) by pressing washing water temperature adjustment button.

If you have missed the washing water temperature you wanted, you can return to the intended temperature by continuously pressing the washing water temperature adjustment button.



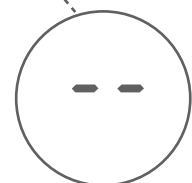
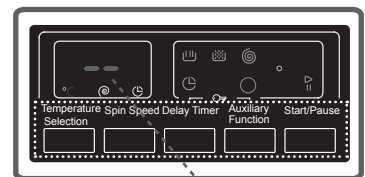
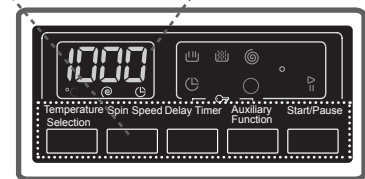
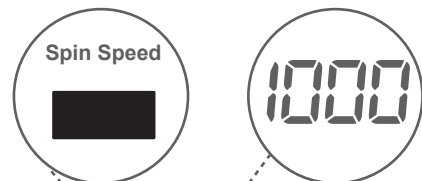
2- Spin Speed Selection

You can set the spin revolution for your laundry via revolution speed setting button.

When you select a new programme, the maximum spin revolution speed of the programme you have selected will be viewed on the display of revolution speed.

You can gradually reduce the revolution speed between cancel spinning (--) options through the maximum spin revolution of the programme selected by pressing revolution speed setting button.

If you have skipped the spinning revolution you want to set, you can re-switch to the revolution by keeping the revolution setting button pressed.




Introduction of control panel

Auxiliary functions


3- Delay timer

By using this auxiliary function, you can set the time when your machine start washing. This time can vary from an hour to 23 hours.

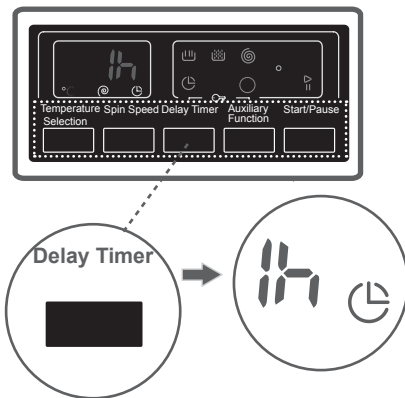
To use auxiliary function of delay timer:

- Press time delay button once.
- Expression of "1 h" will appear on the display. - Symbol  will flash on electronic display.
- Press on time delay button until the time, on which you want washing operation to be started.
- To activate the time delay you have selected in the programme, you may press on any auxiliary function button you like except "Start/Standby" button.

If you have skipped the time delay you want to set, you can go back to the time desired by keeping pressed on time delay button.


If you want to cancel the time delay, you are required to press the time delay button once.  symbol will no longer flash on electronic display.

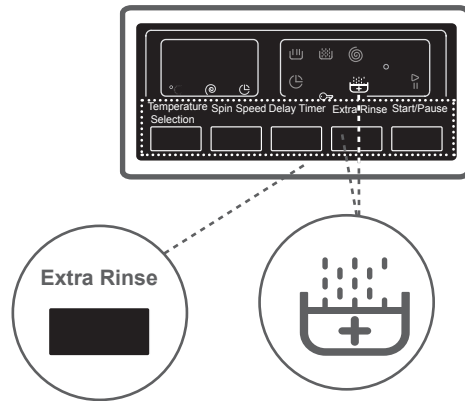
To run time delay function, your machine is required to be operated by pressing on Start/Pause button.



4- Extra Rinse

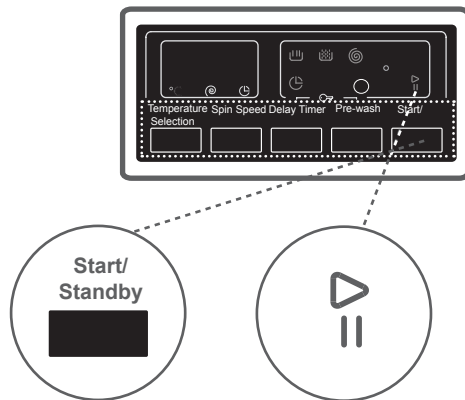
You can make additional rinse operation on your laundry by using this additional function.

You may make the programme active by pressing the extra rinsing auxiliary function button when the led light of the  symbol turns on.



Start/Pause button

By pressing on the Start/Pause button, you may start the programme you have selected or suspend a running programme. If you switch your machine to the standby mode, the Start/Standby led on the electronic display will blink.

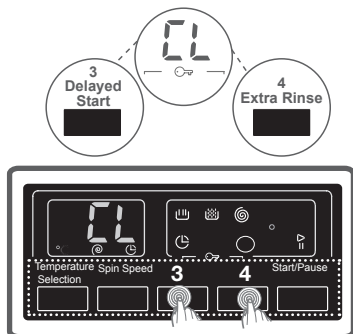


Introduction of control panel

Child Lock

To avoid programme flow from being affected if programme buttons are pressed or programme button is turned when performing washing operation in your machine, child lock is available.

Child lock will be activated in case pressed on both auxiliary functions 3 and 4 at the same time for more than 3 seconds.



“CL” symbol will flash on the electronic display when activated.

If pressed any button while child lock is active, the “CL” symbol will blink on the electronic display.

If while the child lock is engaged and any programme is running, the programme dial is switched to the CANCEL position and another programme is selected, the programme previously selected continues from where it left.

To deactivate it, it will be sufficient to press on the same buttons for more than 3 seconds. When the child lock is deactivated, the “CL” symbol on the electronic display will go off.

Cancelling Programme

If you want to cancel any programme running:

- 1- Switch the programme dial to the “CANCEL” position.
- 2- Your machine will stop the washing operation and the programme will be cancelled.
- 3- To get rid of the water accumulated in the machine switch the programme dial to any programme.
- 4- Your machine will perform the necessary dis-

Cancelling Programme

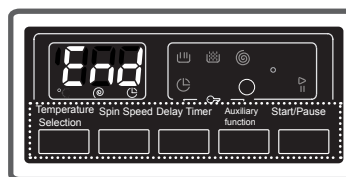
charge operation and cancel the programme.

5- You can run your machine by selecting a new programme.

Finishing Programme

Your machine will stop by itself as soon as the programme you have selected finishes.

- “End” led will blink on the display panel.



- You can open the machine's door and remove the laundry.

- Leave the door of your machine open to allow the inner part of your machine to dry after removing your laundry.


- Switch the programme dial to CANCEL position.

- Unplug your machine.

- Turn the water tap off.

Program Selection Guide

Program	Washing temperature (°C)	Prog. Time (mins) WNS814W WNS814B / WNS714W	Detergent compartment.	/Max load capacity (kg) WNS814W WNS814B / WNS714W	Type of laundry
Cotton 90°	90°	207 / 200	2	8,0 / 7.0	Very dirty, cotton and flax textiles. (Underwears, linen, tablecloth, towel (maximum 4,0 kg), bedclothes, etc.
Pre-wash cotton	60°	165 / 165	1&2	8,0 / 7.0	Dirty cotton and flax textiles. (Underwears, linen, tablecloth, towel (maximum 4,0 kg), bedclothes, etc.
Cotton eco	60°	200 / 205	2	8,0 / 7.0	Dirty cotton and flax textiles. (Underwear, linen, tablecloth, towel (maximum 4,0 kg), bedclothes, etc.
Eco	20°	98 / 98	2	4,0 / 3.5	Less dirty, cotton and linen textiles. (Underwear, bedsheet, tablecloth, towel (max. 2 kg) bedcloth, etc.
Easy care	40°	89 / 89	2	3,5 / 3.5	Very dirty or synthetic-mixed textiles. (Nylon socks, shirts, blouses, synthetic-including trousers etc.)
Wool	30°	40 / 40	2	2,5 / 2.5	Woollen clothing with machine wash labels.
Rinse	-	42 / 42	-	8,0 / 7.0	If you want to additionally rinse your laundry upon completion of washing operation, you may use this programme for any type of laundry.
Allergy safe	60°	200 / 195	2	4.0 / 3.5	Baby clothes
Spin	-	17 / 17	-	8,0 / 7.0	If you want to additionally wring your laundry upon completion of washing operation, you may use this programme for any type of laundry.
Hand wash/delicate	30°	90 / 100	2	2,5 / 2.5	Laundry recommended for hand wash or sensitive laundry.
Sportswear	30°	79 / 79	2	3,5 / 3.5	Sportswear
Mixed	30°	85 / 85	2	3,5 / 3.5	Dirty cotton, synthetics, colour and flax textiles can be washed together.
Blouses / shirts	60°	110 / 110	2	4,0 / 3.5	Dirty cotton, synthetic and synthetic-mixed shirts and blouses can be washed together.
Daily 60 min.	60°	60 / 60	2	4,0 / 3.0	You can wash your dirty cotton, colour and flax textiles at 60°C in 60 minutes.
Rapid 15 min.	30°	15 / 15	2	2,0 / 2.0	You can wash your slightly stained, cotton, coloured and flax textile within only 15 minutes.

(* You can use softeners in all programs (except spinning and draining programs) optionally. When you arrange the quantity of the softener, comply with the warning of the softener producer. Fill your softener in the  (softener) compartment of the detergent drawer.

Note: Durations vary according to wash load (weight and type), tap water, ambient temperature and selected extra functions.

Before first use

- a: Plug in the machine.
- b: Open the water tap.
- c: There may be water left inside your machine after factory tests and trials. It is recommended that the first wash cycle be carried out with no laundry, to remove this water; pour half a measuring cup of normal laundry detergent into compartment 2 and select cotton program at 90°C.

Preparing for a wash

Laundry

- Sort your clothes according to their types (cotton, synthetic, delicate, woollen, etc.), washing temperatures and level of dirtiness.
- Never wash your white and coloured clothes together.
- Since your new coloured clothes may release dye on the first wash, wash them separately.
- Remove any small objects from the pockets of your clothes.
- Ensure that all zips and buttons on your clothes are fastened.
- Remove the plastic or metal hooks of curtains or place them inside a washing bag and tie.
- Turn clothes such as trousers, knitted fabrics, t-shirts and sweat shirts inside out.
- Wash your small clothes like socks and handkerchiefs in a washing bag.

Placing clothes into the machine

- Open the door of your machine.
- Put your clothes into your machine in a well-balanced manner.
- Place your clothes loosely in the machine.
- When you shut the door of your machine, be careful that no clothing is jammed between the cover and the seals.
- Shut the door of your machine securely, otherwise your machine will not start the washing process.

Detergent

The quantity of detergent to be loaded into the machine will depend on the following criteria:

- Your detergent consumption will change depending on how dirty the clothes are. For your

slightly dirty clothes, do not pre-wash and put a small amount of detergent in compartment 2 of the detergent drawer.

- For your excessively dirty clothes, select a programme with pre-washing; fill $\frac{1}{4}$ portion of the detergent in compartment 1 in the detergent drawer and the remaining portion in compartment 2.
- Use detergents developed especially for automatic washing machines. The quantities that will be used for your clothes are written on the packaging of the detergents.
- As the hardness of your water increases, the amount of the detergent to be consumed will also increase.
- As the amount of clothing increases, the amount of the detergent that will need to be used will also increase.
- Fill your softener in the softener compartment in your detergent drawer. Do not exceed the MAX level. Otherwise, the softener will diffuse in the washing water via the siphon.
- Concentrated softeners with high viscosity should be diluted with water before loading in the drawer. This is because high-viscosity softeners obstruct the siphon and prevent the flow of the softener.
- You can use liquid detergents in all programs without pre-washing. For this, fit the liquid detergent level plate in the second compartment of the detergent drawer and arrange the amount of liquid detergent according to the levels on this plate.

Error Signals

If you have damaged or missing parts,
call the **Customer Helpline: 0345 257 7271**

Your machine is equipped with systems which will take the necessary precautions and warn you in case of any. **IMPORTANT: IT CAN TAKE UPTO 10 MINUTES FOR ERROR TO REGISTER.**

Failure code	Probable failure	Process to be followed
E01	The door is not shut properly.	Shut the door properly so that you hear the click. If the problem persists, turn off the machine unplug and contact the nearest authorised service agent immediately.
E02	The water level in your machine is below heater. The pressure of your water supply may be low or water supply may be blocked.	Turn on the tap fully. The water supply may be interrupted. If the problem persists, your machine will automatically stop after a while. Unplug your machine, turn off the tap and contact the nearest authorised service agent immediately.
E03	The pump has failed or the pump filter is obstructed.	Clean the pump filter. If the problem persists and contact the nearest authorised service agent immediately. (*)
E04	Your machine has excessive amount of water.	Your machine will discharge water by itself. Pursuant to discharging operation, turn off your machine and unplug it. Turn off your tap and contact the nearest authorised service.

(*) See the section regarding the care and maintenance of your machine.



Before cleaning your washing machine.

a: Unplug your machine from the mains power supply.

b: Close the water tap.

Water inlet filters

On the tap part of your machine's water inlet hose and at the ends of water inlet valves, there are filters to prevent entrance of the dirt and foreign materials in the water to the machine. If the machine is unable to receive sufficient water even though your water tap is fully opened, filters should be cleaned.

- Remove the water inlet hose.
- Remove the filters found on the water inlet valves by using a pincer and wash thoroughly with a brush. (1)
- Clean the filters of the water inlet hoses located on the tap side by removing manually together with the seal. (2)
- After you clean the filters, you can fit them the same way as you have removed them.

Pump filter

The pump filter system elongates the life of your pump, which is used to drain the dirty water. It prevents dirt entering the pump. Cleaning of your pump filter every 2-3 months is recommended. To clean your pump filter:

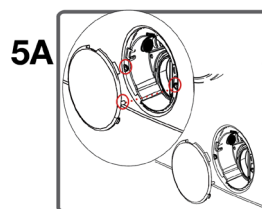
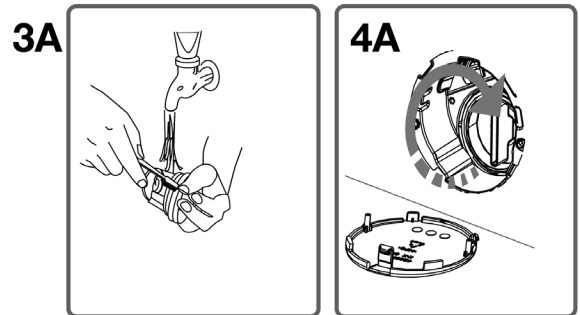
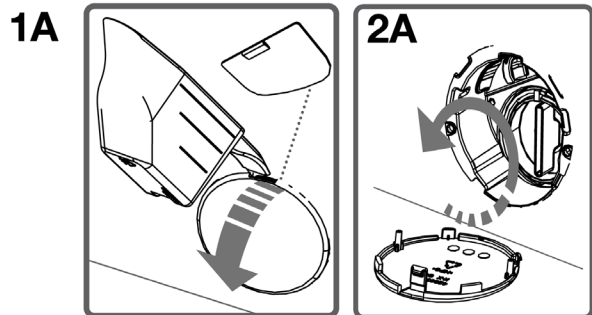
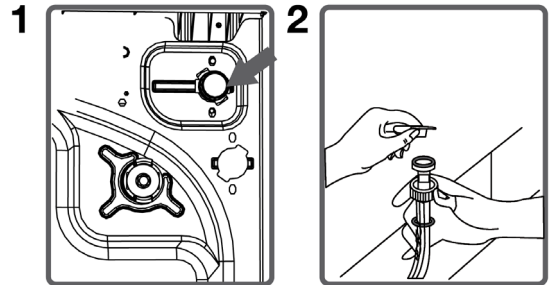
- To open the pump cover, you can use the powder detergent spade (*) or liquid detergent level plate coming out of your machine. **(1-A & 2-A)**
- Before opening the filter cover, place a cup in front of the filter cover to prevent flow of the remaining water in the machine.
- Clean the foreign materials in the filter with a brush and flush with clean water. **(3-A)**
- Check for the rotation of the pump manually.
- After cleaning the filter, fit the filter cover and tighten it by rotating it in clockwise direction. **(4-A)**
- Remove the foreign materials from the filter.
- Do not forget that if you do not fit the filter cover properly, it will leak water.
- While closing the pump cover, ensure that the parts on the inner side of the cover match the holes on the front panel side. **(5-A)**

- You can reattach the pump cover in the reverse order that you removed it.



Danger of being scalded!
The water inside the pump
maybe hot- wait for it to cool.

(*) Machinery specifications may vary depending on the product purchased.



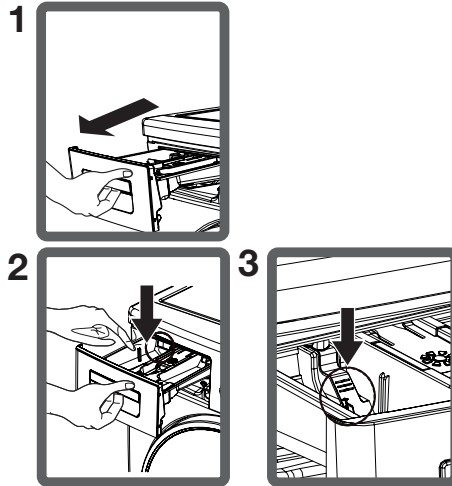
Care and Maintenance

If you have damaged or missing parts,
call the **Customer Helpline: 0345 257 7271**

Detergent drawer

Detergents may form sediments in your detergent drawer or in the housing of the detergent drawer over time. To clean the sediment, pull out the detergent drawer from time to time. To pull out the detergent drawer:

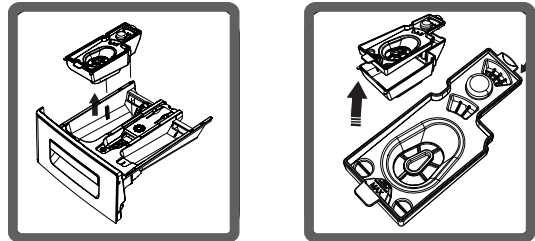
- Pull the detergent drawer to the end. **(1)**
- Keep on pulling by depressing on the section shown below in the detergent drawer and keep pulling and then remove the detergent drawer. **(2&3)**
- Clean the detergent drawer with a soft brush like an old toothbrush and flush with clean water
- Collect residues in the housing of the detergent drawer without dropping them inside the machine.
- Assemble the detergent drawer after drying it using a towel or dry cloth.
- **Do not wash your detergent drawer in a dishwasher!**



Liquid Detergent Apparatus (*)

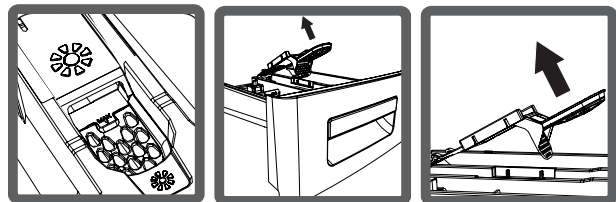
Take out the liquid detergent level apparatus for cleaning and maintenance purposes as shown in the picture and clean away detergent residues. Put the apparatus back into its place. Make sure no residues are left inside.

(*) Machinery specifications may vary depending on the product purchased.



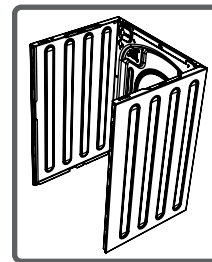
Siphon plug

Pull out the detergent drawer. Remove the siphon plug and clean any residues away. Fit the cleaned siphon plug in its location. Check it is placed properly. **(3)**



Cabinet

Clean the exterior surface of the cabinet of your machine with lukewarm water and a cleaning substance that will not damage the cabinet. After rinsing with clean water, wipe it with a soft and dry cloth.



Note: To get the best out of your machine. We recommend that you periodically run a wash cycle with limescale remover, especially in hard water areas.

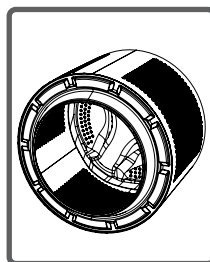
Note: After each wash leave the door of the machine open to help air the drawer and reduce any mould build up;

Note: Wipe the door seal ideally after each wash;

Note: Undertake a maintenance wash every 4-6 weeks with the drum empty. This wash should be undertaken with lime scale and detergent remover;

Drum

Do not leave metallic objects such as needles, paper clips, coins etc. in your machine. These objects lead to stains in the drum. To clean such rust stains, use a non-chlorine cleaning agent and follow the instructions of manufacturers of the cleaning agent. Never use wire wool or similar hard objects for cleaning rust stains.



Trouble Shooting

If you have damaged or missing parts,

call the **Customer Helpline: 0345 257 7271**

All repairs to the machine must be carried out by an authorised repair agent. When a repair is required or you are unable to eliminate the failure with the help of the information below:

a: Unplug the machine.

b: Close the water tap.

c: Contact the nearest authorised repair agent.

FAILURE	PROBABLE CAUSE	METHODS OF ELIMINATION
Your machine does not operate.	It is unplugged.	Insert the plug into the socket.
	Your fuse is defective.	Change your fuse.
	The electric power is off.	Check the electric power.
	Start/pause button has not been pressed.	Press the start/pause button.
	The programme dial is in the 0 (off) position.	Turn the programme dial to the desired position.
	The door is not shut properly.	Shut the door properly. You should hear the click.
Your machine does not receive water.	Water tap is closed.	Open water tap.
	The water inlet hose may be bent.	Check the water inlet hose.
	The water inlet hose is obstructed.	Clean the filters of water inlet hose. (*)
	The valve inlet filter is obstructed.	Clean the valve inlet filters. (*)
	The door is not shut properly.	Shut the door properly. You should hear the click.
Your machine is not draining water.	The drain hose is obstructed or bent.	Check the drain hose.
	The pump filter is obstructed.	Clean the pump filter. (*)
	The clothes are not placed inside the machine in a well-balanced manner.	Spread the clothes inside the machine in an orderly and well-balanced manner.
Your machine is vibrating.	The feet of your machine are not adjusted.	Adjust the feet. (**)
	Transportation screws are not removed.	Remove transportation screws. (**)
Your machine is vibrating.	There are only few clothes in the device.	It does not prevent operation of the machine.
	Excessive amount of clothes are filled in the machine or the clothes are not placed in a well-balanced manner.	Do not exceed the recommended quantity of clothes and spread your clothes in the machine in a well-balanced manner.
	Your machine is touching a rigid object.	Ensure machine is not in contact with hard objects.

(*) See the section concerning the care and maintenance of your machine.

(**) See the section concerning installation of your machine.

Trouble Shooting

If you have damaged or missing parts,

call the **Customer Helpline: 0345 257 7271**

FAILURE	PROBABLE CAUSE	METHODS OF ELIMINATION
Excessive foam in the detergent drawer.	Too much detergent has been used.	Press the start/pause button. In order to stop the foam, dilute one table-spoon of softener in half liter of water and pour it in the detergent drawer. Press the start/pause button after 5-10 minutes. Arrange the amount of the detergent properly in the next washing process.
	Wrong detergent has been used.	Use only the detergents produced for full automatic machines.
The washing result is poor.	Your laundry is too dirty for the programme you have selected.	Select a suitable programme. (see page 8)
	The amount of detergent used is not sufficient.	Use more detergent.
The washing result is not good.	Clothes exceeding the maximum capacity have been loaded in the machine.	Put the clothes in your machine in a manner not to exceed its maximum capacity.
	Your water may be hard.	Use the amount of detergent specified by the detergent manufacturer.
	Distribution of the clothes in your machine is not well-balanced.	Spread the clothes inside the machine in an orderly and well-balanced manner .
The water is drained from the machine as soon as it is filled.	The end of the water drain hose is in a position too low according to the machine.	Position the water drain at an appropriate height.(**)
No water is seen in the drum during washing.	No failure. The water is in the lower part of the drum.	-
There are residues of detergent on the clothes.	Some detergents contain ingredients which are not soluble in water and which may form white stains on your clothes.	By adjusting your machine, carry out an additional rinse, or eliminate the stains after drying, with a brush.
There are grey stains on the clothes.	These stains may be caused by oil, cream or ointment .	In the next washing operation, use the maximum detergent amount declared by the detergent producer.
The spinning process is not done or starts with delay .	No failure. The unbalanced load control may work in that way.	The unbalanced load control system will try to distribute your clothes in a homogenous manner. After your clothes are distributed, passage to spinning process will be realized. In the next washing process, place your clothes into the machine in a well-balanced manner.

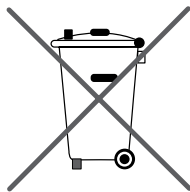
(*) See the section concerning the care and maintenance of your machine.

(**) See the section concerning installation of your machine.

Technical Specifications

Model / Item	WMNS714W	WMNS814W	WMNS814W
Power supply	(220-240) V ~/50Hz	(220-240) V ~/50Hz	(220-240) V ~/50Hz
Max working current	10 amp	10 amp	10 amp
Water pressure	Maximum : 1Mpa Minumum : 0.01 MPa	Maximum : 1Mpa Minumum : 0.01 MPa	Maximum : 1Mpa Minumum : 0.01 MPa
Maximum power	2200 watt	2200 watt	2200 watt
Maximum washing load (dry)	7 kg	8 kg	8 kg
Spinning speed	1400 rpm	1400 rpm	1400 rpm
Washing programmes	15	15	15
Size	845 x 597 x 527	845 x 597 x 557	845 x 597 x 557
Net weight	71 kg	75 kg	75 kg

Disposal Information



The symbol on the product or its packaging indicates that this product may not be treated as household waste. Instead it should be handed over to the applicable collection point for the recycling of electrical and electronic equipment. By ensuring this product is disposed of correctly, you will help prevent potential negative consequences for the environment and human health, which could otherwise be caused by inappropriate waste handling of this product.

For more detailed information about recycling this product, please contact your local council office, your household waste disposal service or the shop where the product was purchased.

BUSH

Product Guarantee

This product is guaranteed against manufacturing defects for a period of



This product is guaranteed for twelve months from the date of original purchase. Any defect that arises due to faulty materials or workmanship will either be replaced, refunded or repaired free of charge where possible during this period by the dealer from whom you purchased the unit.

The guarantee is subject to the following provisions:

- The guarantee does not cover accidental damage, misuse, cabinet parts, knobs or consumable items.
- The product must be correctly installed and operated in accordance with the instructions contained in this manual.
- It must be used solely for domestic purpose.
- The guarantee will be rendered invalid if the product is re-sold or has been damaged by inexpert repair.
- Specifications are subject to change without notice.
- The manufacturer disclaims any liability for the incidental or consequential damages.
- The guarantee is in addition to, and does not diminish your statutory or legal rights.
- In the event of a problem with the product with in the guarantee period call the **Customer Helpline: 0345 257 7271**

Guarantor: Argos Ltd
489 - 499 Avebury Boulevard
Central Milton Keynes
MK9 2NW