

BUSH

Instruction manual

Built-In Combi Fridge-Freezer

BIFFC55177





You'll soon be enjoying your new Built-In Combi Fridge-Freezer. It all begins here, with your instructions. Don't worry, there's nothing too technical coming up. Just simple, step-by-step guidance to get you up and running quickly. Sound good? Then let's get started.

Help and Guidance

We're here to help you get the most from your Built-In Combi Fridge-Freezer. Should you require any guidance, a simple solution can often be found online at:

www.argos-support.co.uk

If you still require further assistance, call one of our experts on 0345 257 7271.

If you require any technical guidance or find that your product is not operating as intended, a simple solution can often be found in the **Troubleshooting** section of these instructions,

Contents

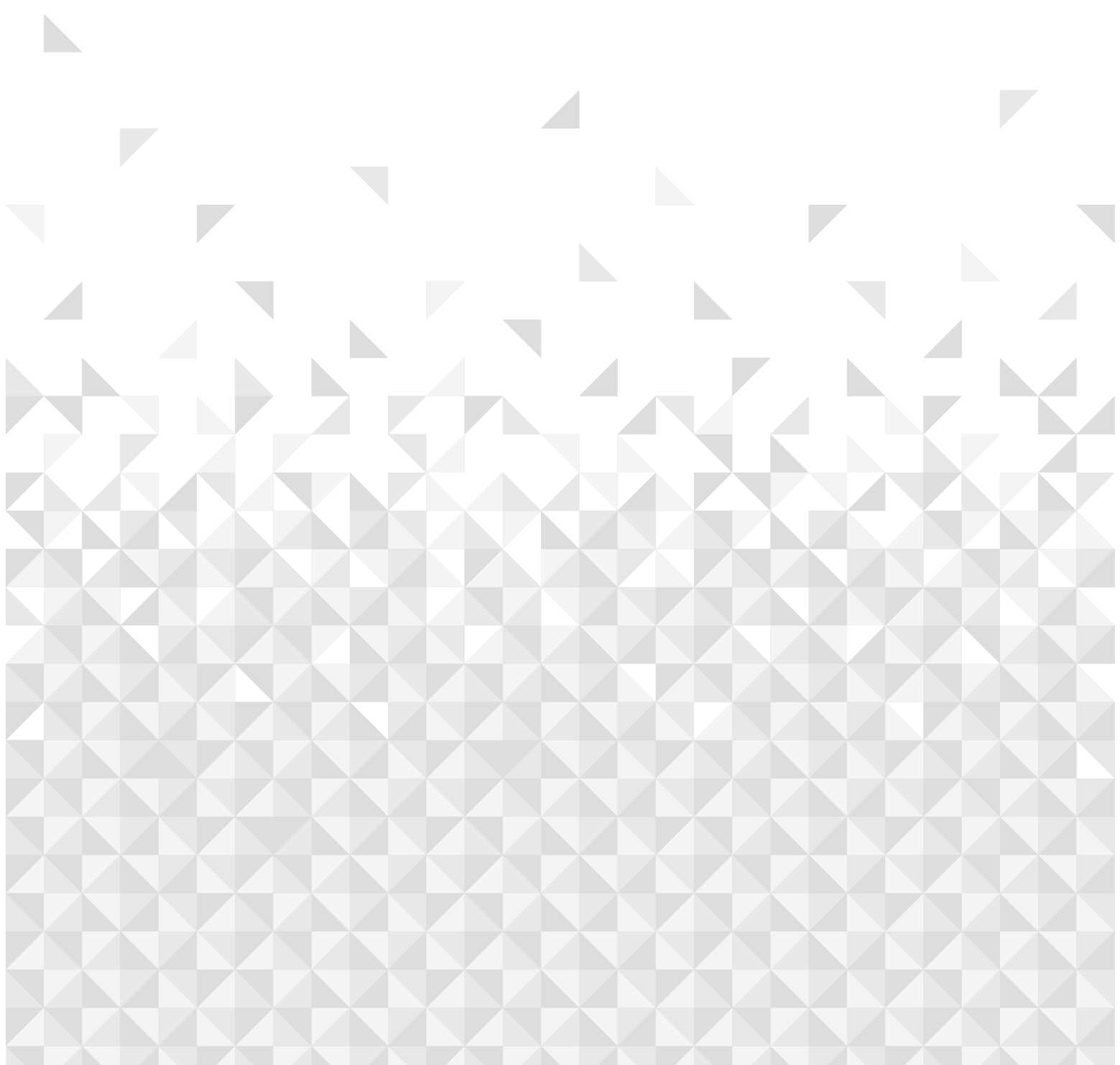
1	Safety information	5	7	Product support	35
	General warnings	6		Help and assistance	37
	Safety warnings	7		Disposal	38
				Guarantee	39
2	Getting to know your Built-In Combi Fridge - Freezer	9			
3	Installing your Built-In Combi Fridge - Freezer	13			
	Installing and Operating Your Fridge - Freezer	14			
	Before Using Your Fridge - Freezer	14			
	Shipment and Repositioning	14			
	Electrical Connection (For UK type plug)	15			
	Installation	16			
4	Functions	23			
	Thermostat settings	24			
	Super switch and Low ambient switch	24			
	Warnings about Temperature Adjustments	25			
5	Using your Built-In Combi Fridge - Freezer	27			
	Arranging Food in the Appliance	28			
	Tips for Saving Energy	29			
	Accessories	29			
6	Care and maintenance	31			
	Cleaning and maintenance	32			
	Defrosting	32			
	Replacing the LED	33			
	Technical specification	34			



If you require any technical guidance or find that your product is not operating as intended, a simple solution can often be found in the **Troubleshooting** section of these instructions,

Safety information

1





Safety information

Important - Please read these instructions fully before installing or operating

General warnings

WARNING: Keep ventilation openings, in the appliance enclosure or in the built-in structure, clear of obstruction.

WARNING: Do not use mechanical devices or other means to accelerate the defrosting process, other than those recommended by the manufacturer.

WARNING: Do not use electrical appliances inside the food storage compartments of the appliance, unless they are of the type recommended by the manufacturer.

WARNING: Do not damage the refrigerant circuit.

WARNING: To avoid a hazard due to the instability of the appliance, it must be fixed in accordance with the instructions.

- If your appliance uses R600a as a refrigerant – you can learn this information from the label on the cooler- you should be careful during shipment and installation to prevent your appliance's cooler elements from being damaged. Although R600a is an environmentally friendly and natural gas. As it is explosive, in the event of a leak due to damage to the cooler elements, move your fridge - freezer from open flame or heat sources and ventilate the room where the appliance is located for a few minutes.
- While carrying and positioning the fridge - freezer, do not damage the cooler gas circuit.
- Do not store explosive substances such as aerosol cans with a flammable propellant in this appliance.
- This appliance is intended to be used in household and similar applications such as;
 - staff kitchen areas in shops, offices and other working environments
 - farm houses and by clients in hotels, motels and other residential type environments
 - bed and breakfast type environments;
 - catering and similar non-retail applications
- If the socket does not match the fridge - freezer plug, it must be replaced by the manufacturer, its service agent or similarly qualified persons in order to avoid a hazard.
- A specially grounded plug has been connected to the power cable of your fridge - freezer. This plug should be used with a specially grounded socket of 13 amperes. If there is no such socket in your house, please have it installed by an authorized electrician.
- This appliance can be used by children aged from 8 years and above and persons with reduced physical, sensory or mental capabilities or lack of experience and knowledge if they have been given supervision or instruction concerning use of the appliance in a safe way and understand the hazard involved. Children shall not play with the appliance. Cleaning and user maintenance, shall not be made by children without supervision.
- If the supply cord is damaged, it must be replaced by the manufacturer, its service agent or similar qualified persons in order to avoid a hazard.

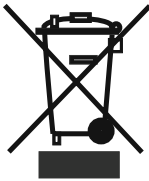


Safety information

Important - Please read these instructions fully before installing or operating

Old and out-of-order fridges and/or freezers

- If your old fridge and/or freezer has a lock, break or remove the lock before discarding it, because children may get trapped inside it and may cause an accident.
- Old fridges and freezers contain isolation material and refrigerant with CFC. Therefore, take care not to harm environment when you are discarding your old fridge and/or freezer.



Please ask your municipal authority about the disposal of the WEEE for the reuse, recycle and recovery purposes.

Notes:

- Please read the instruction manual carefully before installing and using your appliance. We are not responsible for the damage occurred due to misuse.
- Follow all instructions on your appliance and instruction manual, and keep this manual in a safe place to resolve the problems that may occur in the future.
- This appliance is produced to be used in homes and it can only be used in domestic environments and for the specified purposes. It is not suitable for commercial or common use. Such use will cause the guarantee of the appliance to be cancelled and our company will not be responsible for the losses to be occurred.
- This appliance is produced to be used in houses and it is only suitable for cooling / storing foods. It is not suitable for commercial or common use and/or for storing substances except for food. Our company is not responsible for the losses to be occurred in the contrary case.

Safety warnings

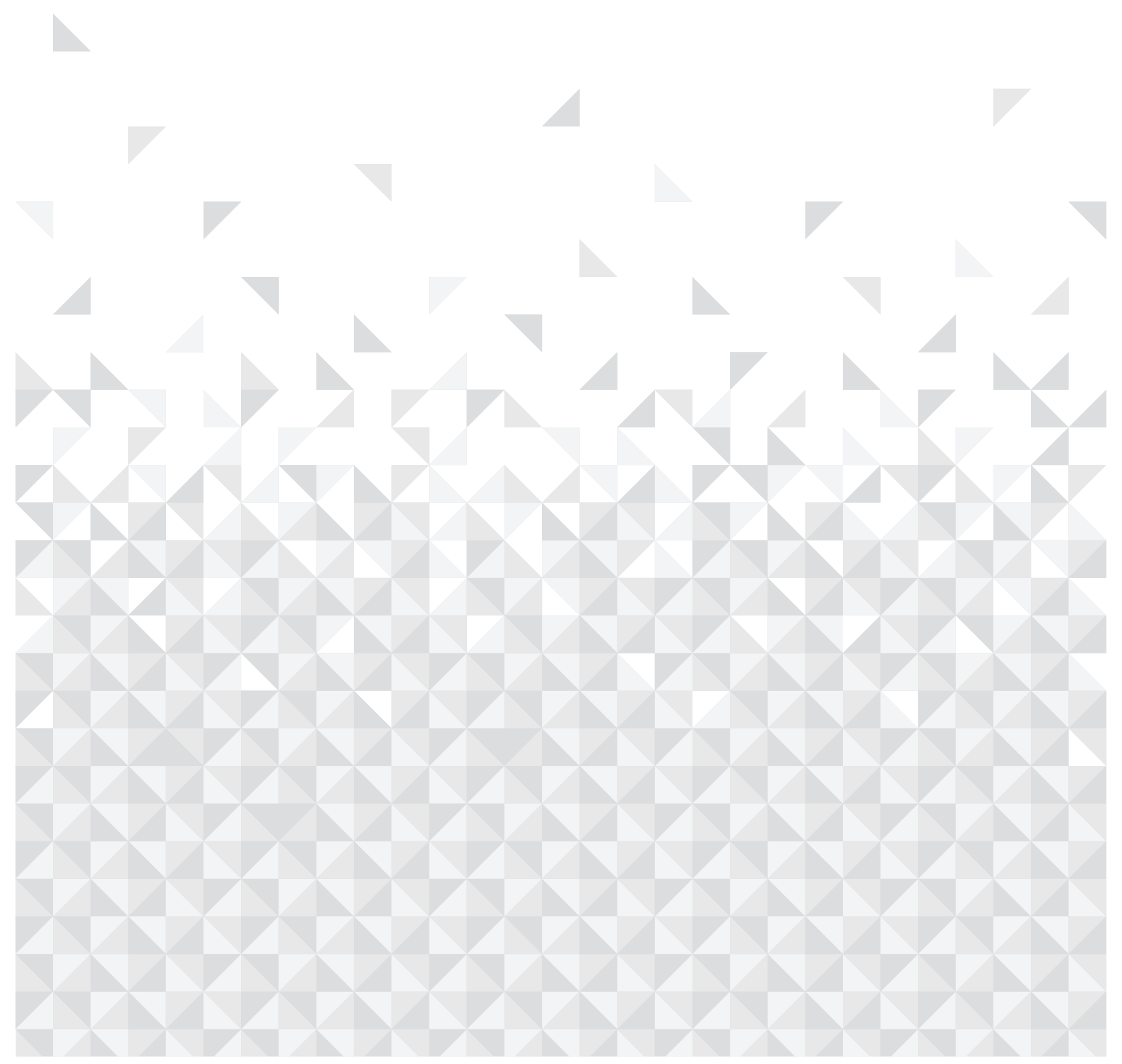
- Do not use multiple receptacles or extension cord.
- Do not plug in damaged, torn or old plugs.
- Do not pull, bend or damage the cord.
- This appliance is designed for use by adults, do not allow children to play with the appliance or let them hang off the door.
- Do not plug-in or out the plug from the receptacle with wet hands to prevent electrocution!
- Do not place glass bottles or beverage cans in the freezer department. Bottles or cans may explode.
- Do not place explosive or flammable material in your fridge - freezer for your safety. Place drinks with higher alcohol amount vertically and by closing their necks tightly in the fridge department.
- When taking ice made in the freezer department, do not touch it, ice may cause ice burns and/or cuts.
- Do not touch frozen goods with wet hands! Do not eat ice-cream and ice cubes immediately after you have taken them out of the freezer department!
- Do not re-freeze frozen goods after they have melted. This may cause health issues like food poisoning.
- Do not cover the body or top of fridge - freezer with lace. This affects the performance of your fridge - freezer.
- Fix the accessories in the fridge - freezer during transportation to prevent damage to accessories.



If you require any technical guidance or find that your product is not operating as intended, a simple solution can often be found in the **Troubleshooting** section of these instructions,

Getting to know your Built-In Combi
Fridge - Freezer

2



Getting to know your Built-In Combi Fridge-Freezer

You'll be up and running in no time

Ready? Let's begin...

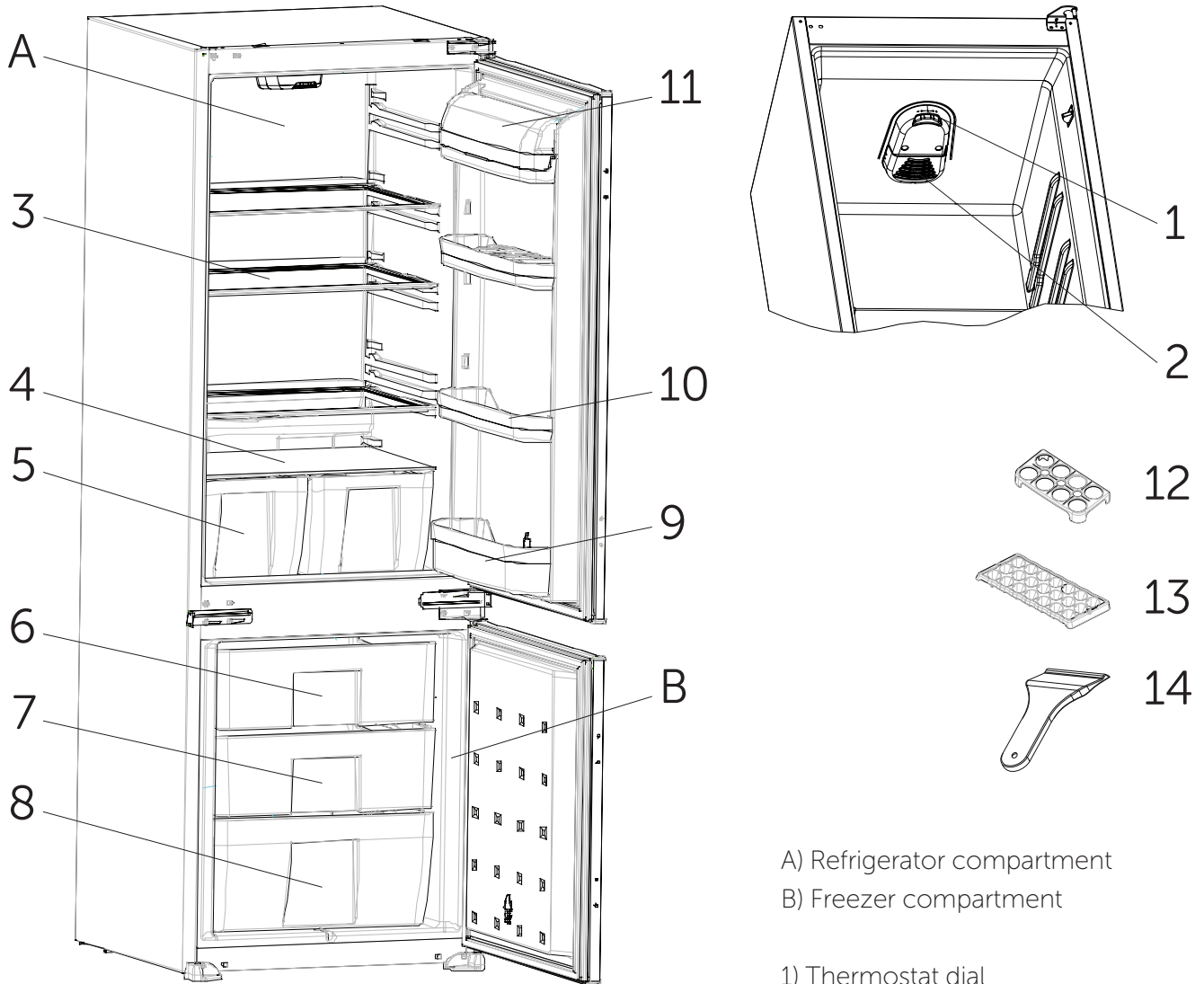
Please read these instructions carefully. They contain important information which will help you get the best from your Built-In Combi Fridge Freezer and ensure safe

and correct installation and operation.

If you require any further assistance, our technical experts are happy to help. For full details, refer to the product support section at the end of these instructions.

Getting to know your Built-In Combi Fridge-Freezer

You'll be up and running in no time



A) Refrigerator compartment
B) Freezer compartment

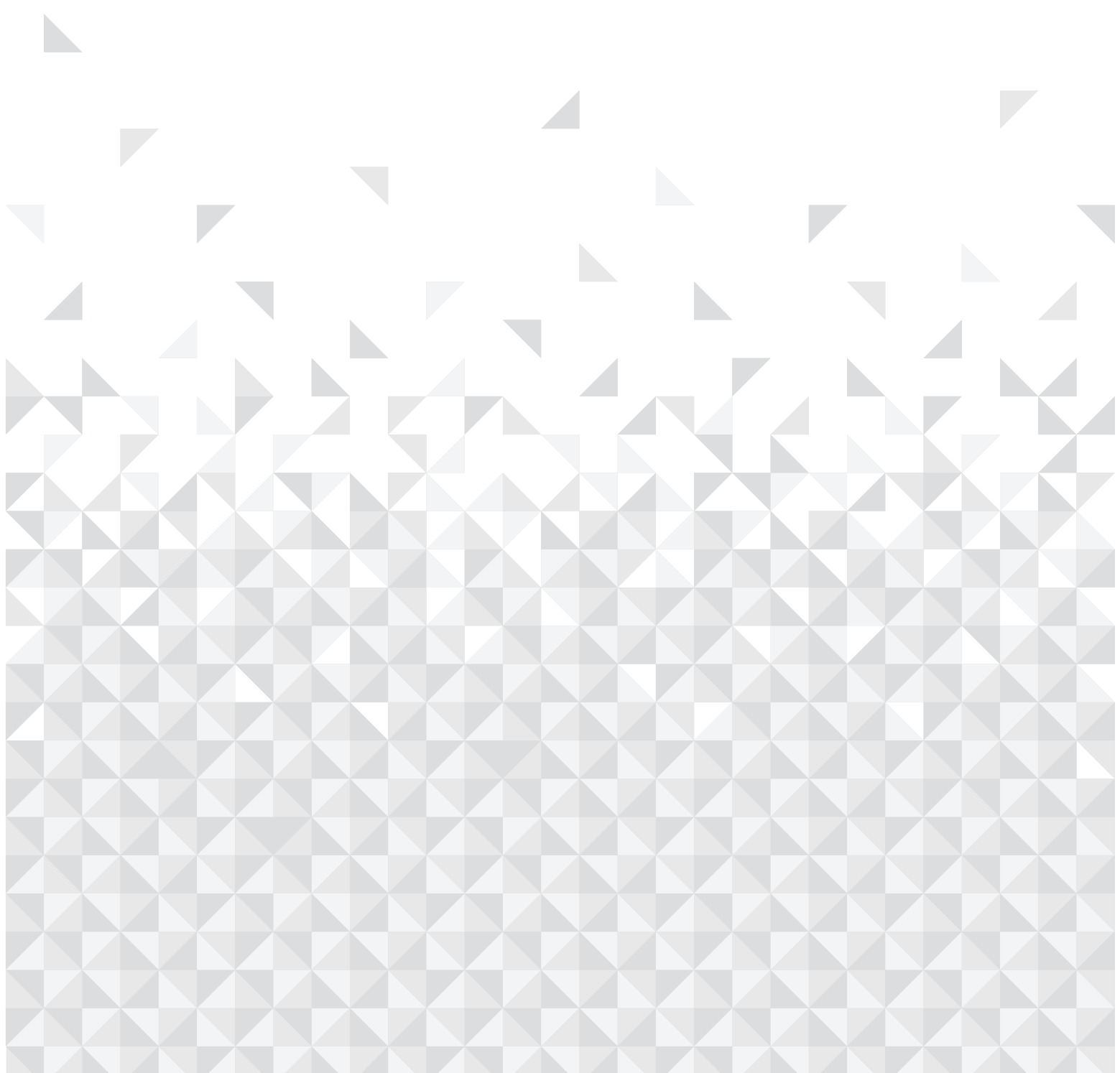
- 1) Thermostat dial
- 2) Refrigerator light and cover
- 3) Refrigerator shelves
- 4) Crisper cover
- 5) Crispers
- 6) Freezer room cover
- 7) Freezer upper basket
- 8) Freezer bottom basket
- 9) Bottle shelf
- 10) Door shelves
- 11) Upper door shelf cover
- 12) Egg tray
- 13) Ice tray
- 14) Plastic ice blade



If you require any technical guidance or find that your product is not operating as intended, a simple solution can often be found in the **Troubleshooting** section of these instructions,

Installing your Built-In Combi Fridge - Freezer

3



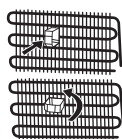
Installing your Built-In Combi Fridge - Freezer

Bringing it all together

Installing and Operating Your Fridge - Freezer

Before starting to use your fridge - freezer, you should pay attention to the following points:

- Operating voltage for your fridge - freezer is 220-240 V at 50Hz.
- We do not take the responsibility of the damages that occur due to ungrounded usage.
- Do not place your appliance in direct sunlight.
- Your appliance should be at least 50 cm away from stoves, gas ovens and heater cores, and should be at least 5 cm away from electrical ovens.
- Your fridge - freezer should never be used outdoors or left under the rain.
- When your fridge - freezer is placed next to a deep freezer, there should be at least 2 cm between them to prevent humidity on the outer surface.
- Do not place anything on your fridge - freezer, and install your fridge - freezer in a suitable place so that at least 15 cm is available on the upper side.
- The adjustable front legs should be stabilized in an appropriate height to allow your fridge - freezer to operate in a stable and proper way. You can adjust the legs by turning them clockwise (or in the opposite direction). This should be done before placing food in the fridge - freezer.
- Before using your fridge - freezer, wipe all parts with warm water added with a tea spoonful of sodium bicarbonate, and then rinse with clean water and dry. Place all parts after cleaning.
- Install the distance adjustment plastic (the part with black vanes at the rear) by turning it 90° as shown in the figure to prevent the condenser from touching the wall.
- Fridge - freezer should be placed against a wall with a free distance not exceeding 75 mm.



Before Using Your Fridge - Freezer

- Before switching on your appliance for the first time, ensure it is positioned in its desired final location and is in its upright position for at least 3 hours before plugging in and switching on the power. Otherwise you may damage the compressor.
- You may experience an odour from the appliance when it is operated for the first time. This is normal and will fade when your appliance starts to cool.

Shipment and Repositioning

- Original package and foam may be kept for retransportation (optionally).
- You should fasten your fridge - freezer with thick package bands or strong cords and follow the instructions for transportation on the package for retransportation.
- Remove movable parts (shelves, accessories, vegetable bins etc.) or fix them into the fridge - freezer against shocks using bands during repositioning and transportation.

Carry your fridge - freezer in the upright position.

Installing your Built-In Combi Fridge - Freezer

Bringing it all together

Electrical Connection (For UK type plug)

For your safety please read the following information

Warning: This appliance must be earthed.

This appliance operates from 220-240 volts and should be protected by a 13 amp fuse in the plug.

The appliance is supplied with a standard 13 amp 3-pin mains plug fitted with a 13-amp fuse.

Should the fuse require replacement, it must be replaced with a fuse rated at 13 amp and approved to BS1362.

If the mains plug which is fitted is unsuitable for the socket outlet in your home or is removed for any other reason, please follow the instructions below on how to wire a 13 amp 3 pin plug.

The wires in the mains lead on this appliance are coloured in accordance with the following code:

Green and Yellow – Earth

Blue – Neutral

Brown – Live

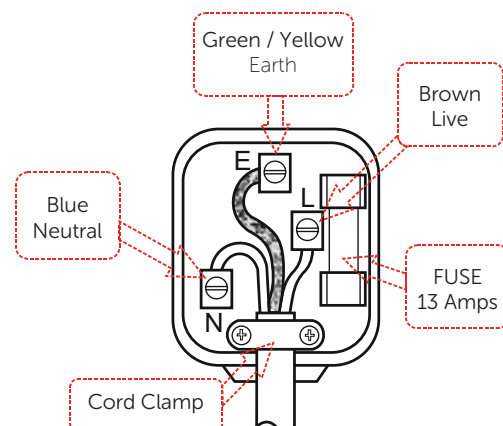
As the colours may not correspond with the markings identifying the terminals in your plug proceed as follows.

The green and yellow wire must be connected to the terminal in the plug which is marked with the letter E or with the earth symbol or coloured green and yellow.

The blue wire must be connected to the terminal marked N.

The brown wire must be connected to the terminal marked L.

You must make sure the lead is firmly secured under the cord clamp.



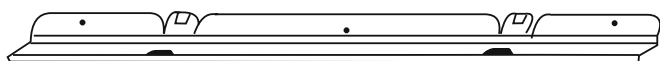
Installing your Built-In Combi Fridge - Freezer

Bringing it all together

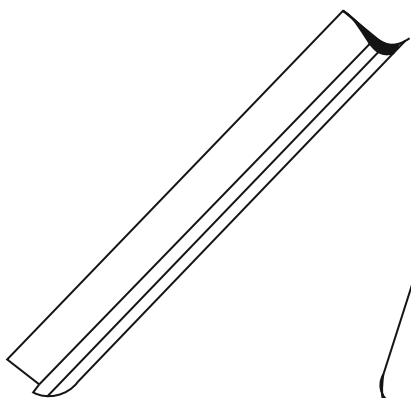
Installation

Installation kit contents

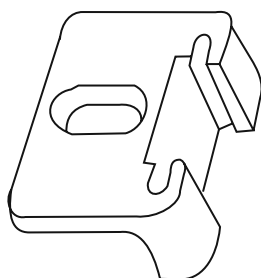
A. Trim flap



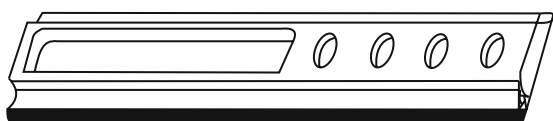
B. Trim gasket



C. Guide



D. Rail



E. 17mm screw

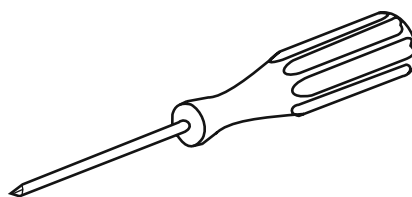


E. 9,5mm screw



Tools required

Philips screwdriver

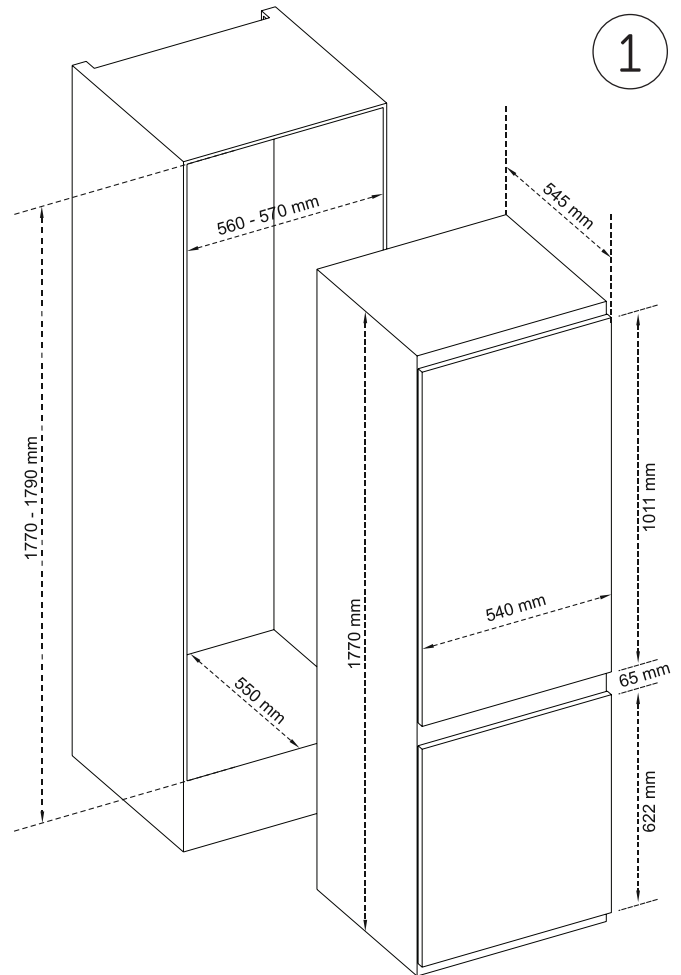


Installing your Built-In Combi Fridge - Freezer

Bringing it all together

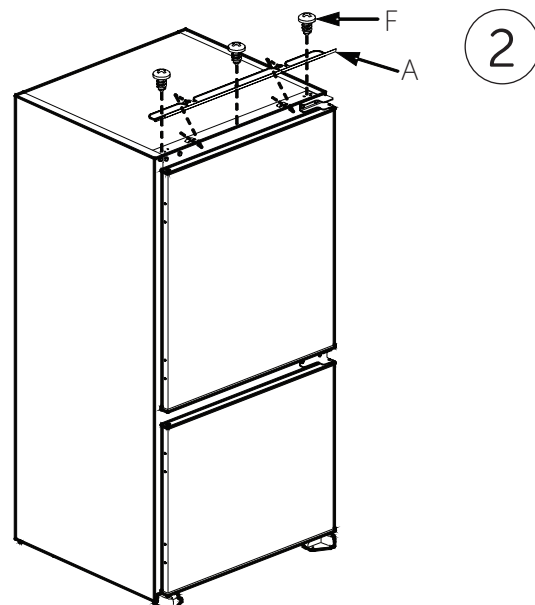
Tools required

- a: Check the installation dimensions according to (1). The position of the joint between the kitchen unit doors must be level with the position of the joint between the appliance doors.
- b: There can be an odour when you first switch on the appliance. It will disappear after the appliance starts to cool.



Installing trim flap

- a: Insert the trim flap (A) into the slot on the top of the appliance.
- b: Secure the trim flap (A) with screws (F).

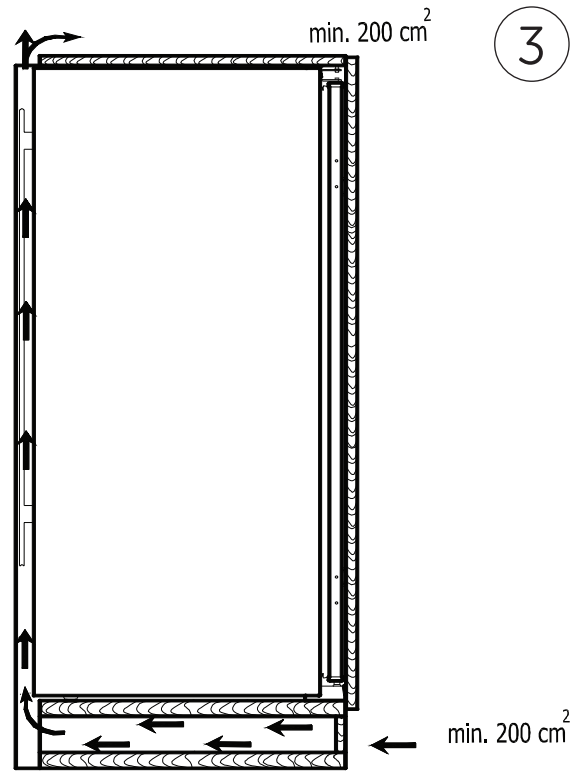


Installing your Built-In Combi Fridge - Freezer

Bringing it all together

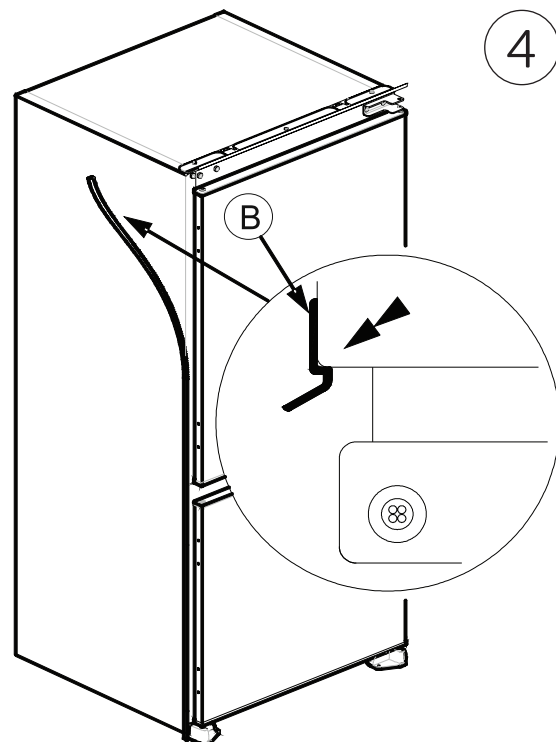
Routing the power cord

a: Pass the power cord through the ventilation shaft, as shown in (3), and position it so that the appliance can be easily plugged in once it has been installed.



Installing the gasket

a: Take out the trim gasket (B) located on the side of the appliance and stick it on the appliance on the opposite side to the door hinges.



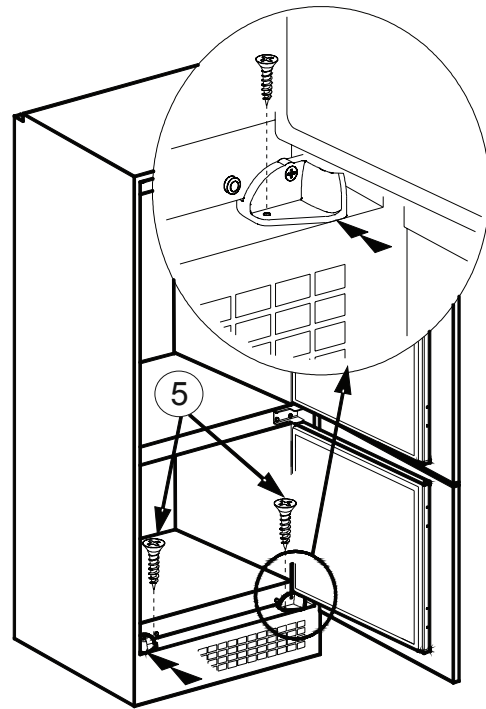
Installing your Built-In Combi Fridge - Freezer

Bringing it all together

Position the appliance

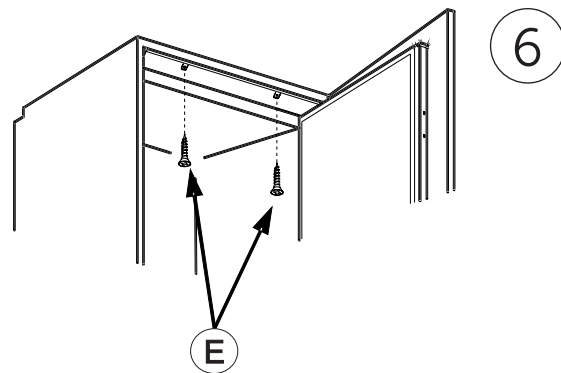
Caution: Two people are required to handle the appliance. It is recommended that gloves are worn.

- a: Carefully move the appliance into position into the kitchen unit.
- b: Push the appliance back to the reverse side of the door hinges, and make sure that the trim gasket (B) covers the space between the appliance and the kitchen unit.
- c: Align the front feet with the front surface of the kitchen unit.
- d: Screw the front feet with screws (E), as shown in (5).



Securing the appliance

- a: Secure the trim flap (A) to the kitchen unit using screws (E), as shown in (6).



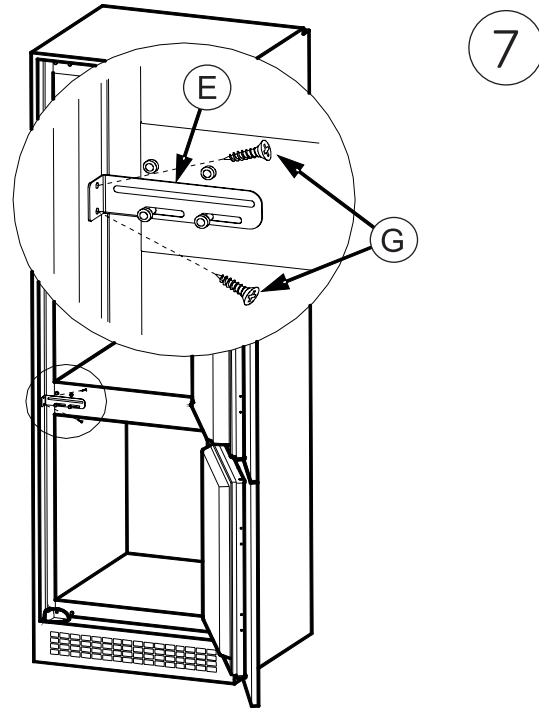
Continued on next page

Installing your Built-In Combi Fridge - Freezer

Bringing it all together

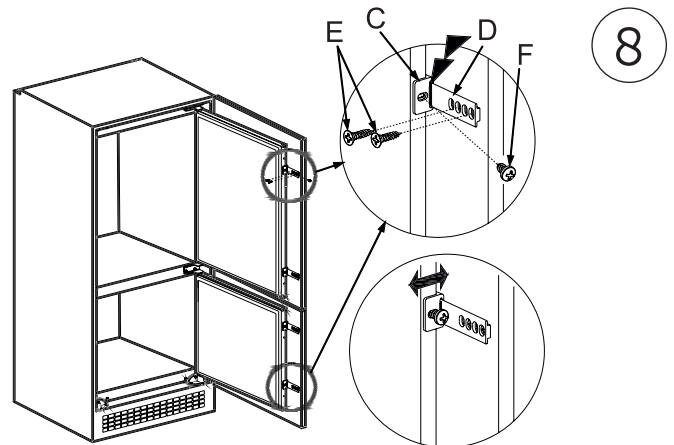
Securing the appliance

- b: Secure the fixing bracket (G) to the kitchen unit using screws (E), as shown in (7). Repeat for the opposite side.



Installing the doors

- a: Secure the guides (C) to the appliance doors using screws (E), as shown in (8).
- b: Open the appliance doors to right angles and position the unit door against the appliance door.
- c: Raise the rails (D) onto the guides (C) aligning with the groove.
- d: Secure the rails (D) to the unit doors using screws (E).
- e: Set a 1-2mm gap on the handle side between the unit itself and the unit doors by adjusting guides (C) and screws (F) as necessary.

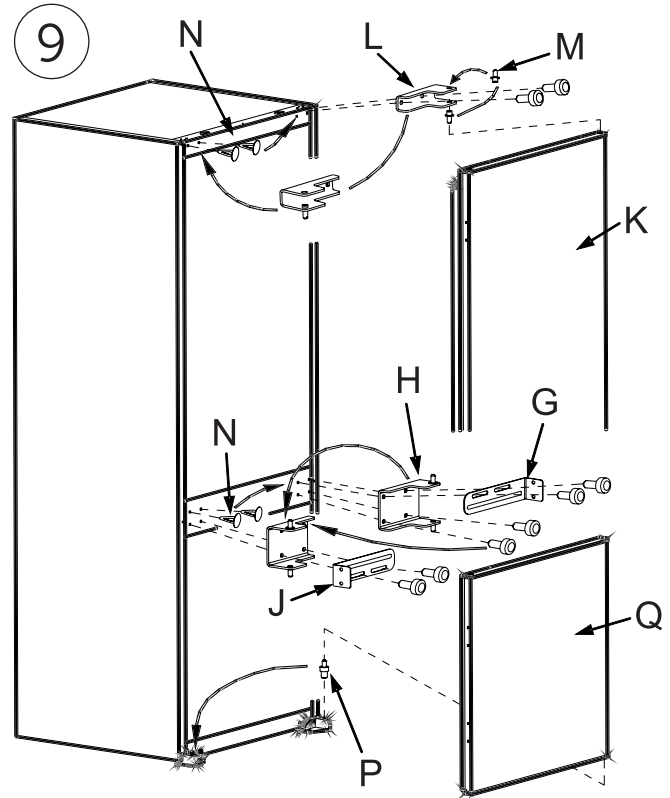


Installing your Built-In Combi Fridge - Freezer

Bringing it all together

Reversing the doors

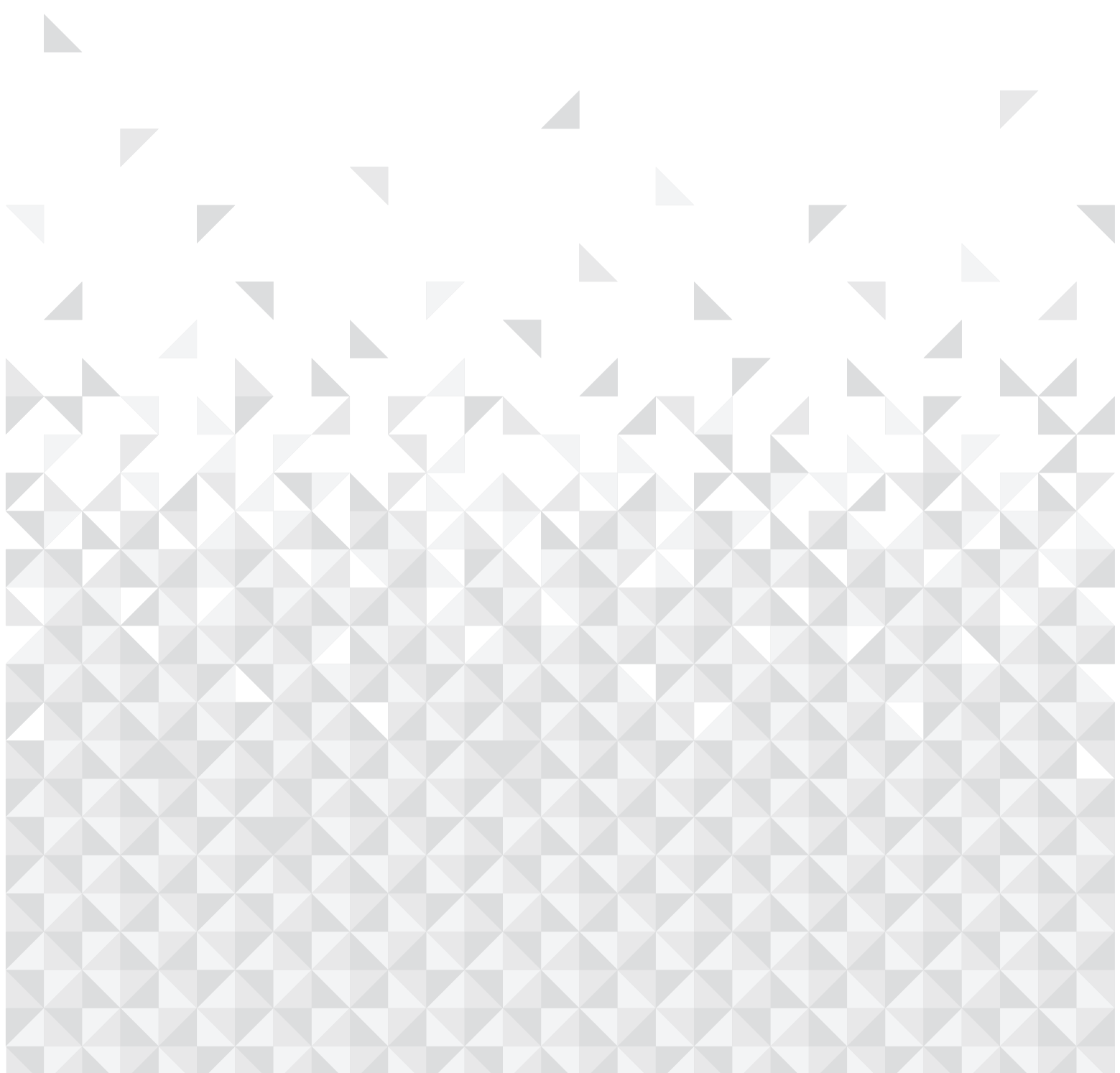
- a: Unscrew the upper door hinge (L) and move the upper door (K) to a safe location.
- b: Unscrew the door hinge pin (M) and firmly screw it into the opposite side. Keep in a safe location.
- c: Unscrew the middle door hinge (H) and move the lower door (Q) to a safe location.
- d: Screw back the fixing bracket (G) to the original position without the middle hinge (H).
- e: Install the door lower pin (P) on the opposite side.
- f: Move the hole plugs (N) to the empty holes on the opposite side.
- g: Position the lower door (Q) over the door lower pin (P) and close.
- h: Unscrew fixing bracket (J).
- i: Position the middle door hinge (H) onto the lower door (Q).
- j: Position the fixing bracket (N) onto the middle door hinge (H) and firmly screw together onto the appliance.
- k: Position the upper door (K) over the middle door hinge (H), and position the upper door hinge (L) over the upper door.
- l: Firmly screw the upper door hinge (L) onto the opposite side of its original position.





If you require any technical guidance or find that your product is not operating as intended, a simple solution can often be found in the **Troubleshooting** section of these instructions,

Functions 4



Functions

Simple everyday use

Thermostat settings

The fridge-freezer thermostat automatically regulates the inside temperature of the compartments. By rotating the knob from positions 1 to 5, colder temperatures can be obtained.

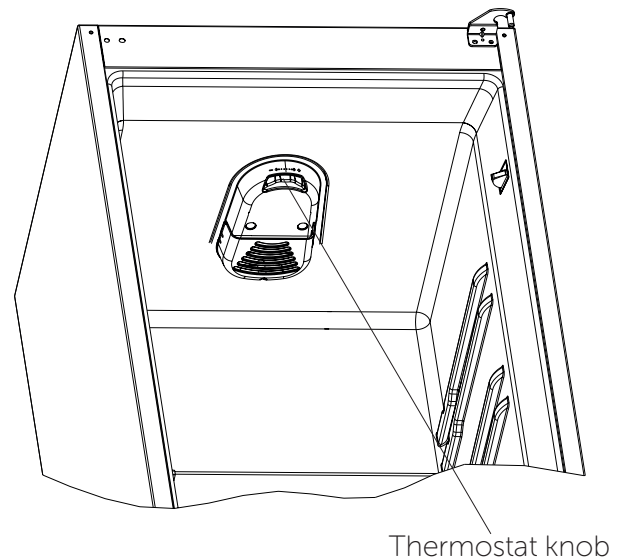
Important note: Do not try to rotate knob beyond 1 position it will stop your appliance.

Fridge-Freezer Thermostat Setting;

1-2: For short-term storage of food in the freezer compartment, set the knob between the minimum and medium position.

3-4: For long-term storage of food in the freezer compartment, set knob to the medium position.

5: For freezing fresh food. The appliance will run for colder temperatures.



Super switch and Low ambient switch

a) **Super freezing:** If ambient temperature is more than 18 °C, this switch can be used as superfreeze switch.

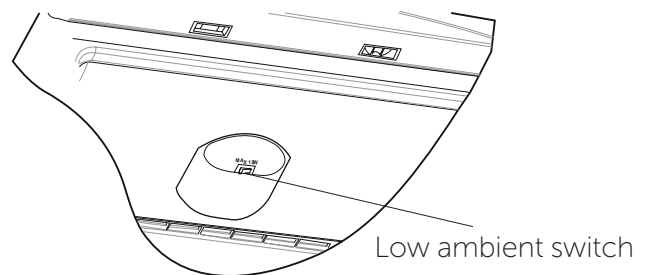
The appliance will work longer when superfreeze button is switched on for freezing the fresh food. So after you get the cold condition (minimum 24 hours later) superfreeze button should be switched off because of energy saving.

b) **Low ambient performance:** If ambient temperature is less than 18 °C, this button should be switched on for improving low ambient performance.

If ambient temperature is more than 18 °C this button should be switched off because of energy saving (except freezing fresh food)

Please note that:

For energy saving do not switch on "I" position, If you do not need.



Functions

Simple everyday use

Warnings about Temperature Adjustments

- It is not recommended that you operate your fridge in environments colder than 10 °C in terms of its efficiency.
- Temperature adjustments should be made according to the frequency of doors openings and the quantity of food kept inside the fridge-freezer.
- Your fridge-freezer should be operated up to 24 hours according to the ambient temperature without interruption after being plugged in to be completely cooled. Do not open doors of your fridge-freezer frequently and do not place much food inside it in this period.
- During power cut, to prevent any compressor problem you should unplug the fridge-freezer. You should delay plugging in 5 – 10 minutes after your power supply returns. If you plug out the fridge-freezer for a reason you should wait at least 5 min to replug. It is important for avoiding damage to fridge-freezer's components.
- Your fridge-freezer is designed to operate in the ambient temperature intervals according to the climate class stated on the information label. In terms of cooling effectiveness, we do not recommend operating your fridge-freezer outside of the stated temperature values.
- This equipment is designed for use at an ambient temperature within the 16°C - 32°C range.

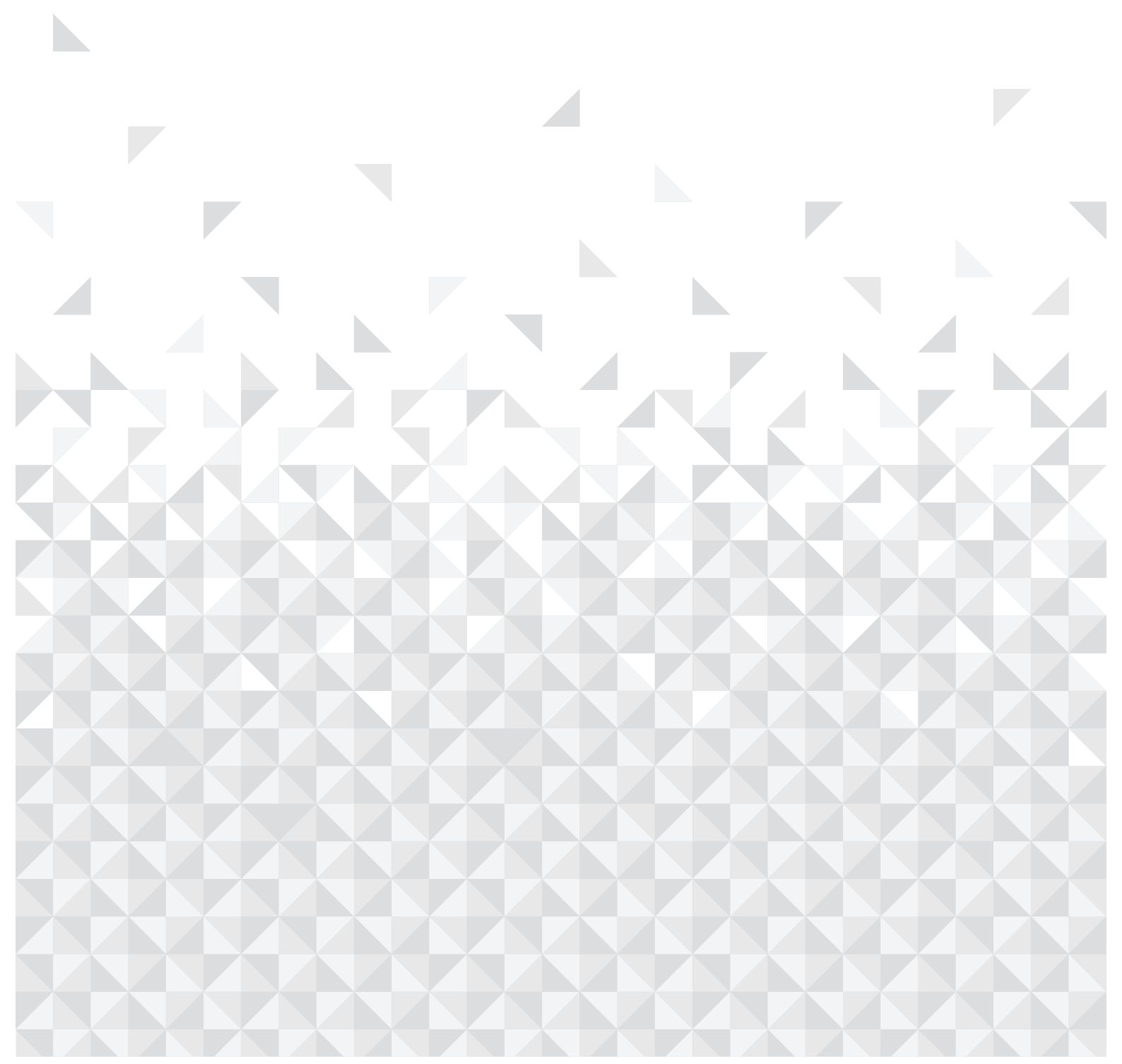
Climate Class	Ambient Temperature °C
T	Between 16 and 43 (°C)
ST	Between 16 and 38 (°C)
N	Between 16 and 32 (°C)
SN	Between 10 and 32 (°C)



If you require any technical guidance or find that your product is not operating as intended, a simple solution can often be found in the **Troubleshooting** section of these instructions,

Using your Built-In Combi Fridge -
Freezer

5



Using your Built-In Combi Fridge-Freezer

Getting the most from your appliance

Arranging Food in the Appliance

Food storage in the fridge compartment

- The refrigerator compartment is used for storing fresh food for a few days.
- **Do not** place food in direct contact with the rear wall of the refrigerator compartment. Leave some space around food to allow for the circulation of air.
- **Do not** place hot food or evaporating liquids in the refrigerator.
- Always store food in closed containers or wrapped.
- To reduce humidity and avoid the formation of frost, never place liquids in unsealed containers in the refrigerator.
- Meat of all types, wrapped in packages, is recommended to be placed on the glass shelf just above the vegetable bin, where the air is colder.
- You can put fruits and vegetables into the crisper without packaging.
- To prevent cold air escaping, try not to open the refrigerator door too often, and do not leave the door open for long periods.

Food storage in the freezer compartment

The freezer compartment is used for freezing fresh foods and for storing frozen foods for the period of time indicated on the packaging, and for making ice cubes.

- For freezing fresh food; wrap and seal fresh food properly - the packaging should be airtight and should not leak. Special freezer bags, aluminium foil (heavy grade; if in doubt double-wrap), polythene bags, and plastic containers are ideal.
- **Do not** allow fresh food to be frozen to come into contact with already frozen food.
- Always mark the date and the content on the pack and do not exceed the stated storage time.

- In case of a power failure or malfunction, the freezer compartment will maintain a sufficiently low temperature for food storage. However, avoid opening the freezer door in order to slow down the temperature rise within the freezer compartment.
- The maximum amount of fresh foods that can be loaded in the freezer within 24 hours is indicated on the name plate (**see Freezing Capacity**).
- **Never** place warm food in the freezer compartment.
- When purchasing and storing frozen food products, ensure that the packaging is not damaged.
- Storage time and recommended temperature for storing frozen food is indicated on the packaging. For storing and usage, follow the manufacturer's instructions. If no information is provided, food should not be stored for more than 3 months.
- Following purchase, place frozen food in the freezer compartment as soon as possible.
- Once food is thawed it must not be refrozen; you must cook it as quickly as possible for consumption or freeze once again.

Additional Storage: if you want to use the freezer's maximum net capacity, remove the drawers and store items directly on the cooling tubes. This will enable you to make use of the entire volume of the compartment.

Using your Built-In Combi Fridge-Freezer

Getting the most from your appliance

Tips for Saving Energy

1. Install the appliance in a cool, well ventilated room, but not in direct sunlight or near heat sources (radiators, cooker, etc....).
2. Allow warm food and drinks to cool down before placing in the appliance.
3. When thawing frozen food, place it in the refrigerator compartment. The frozen food will help to cool the refrigerator compartment when it is thawing.
4. When placing liquids in the appliance they must be covered.
5. When placing food and drinks, open the appliance door as briefly as possible.
6. Keep closed the covers of any different temperature compartments in the appliance (crisper, chiller ...etc).
7. Door seals should be kept clean and undamaged.

Accessories

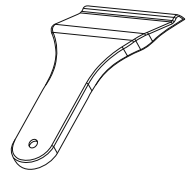
Ice tray

- Fill the ice tray with water and place in freezer compartment.
- After the water has completely frozen , you can twist the tray as shown below to get the ice cubes.



Plastic scraper

After a period of time, frost will build up in certain areas in the freezer compartment. The frost, accumulated in the freezer, should be removed periodically. Use the plastic scraper provided if necessary. Do not use sharp metal objects for this operation. They could puncture the refrigerator circuit and cause irreparable damage to the unit.

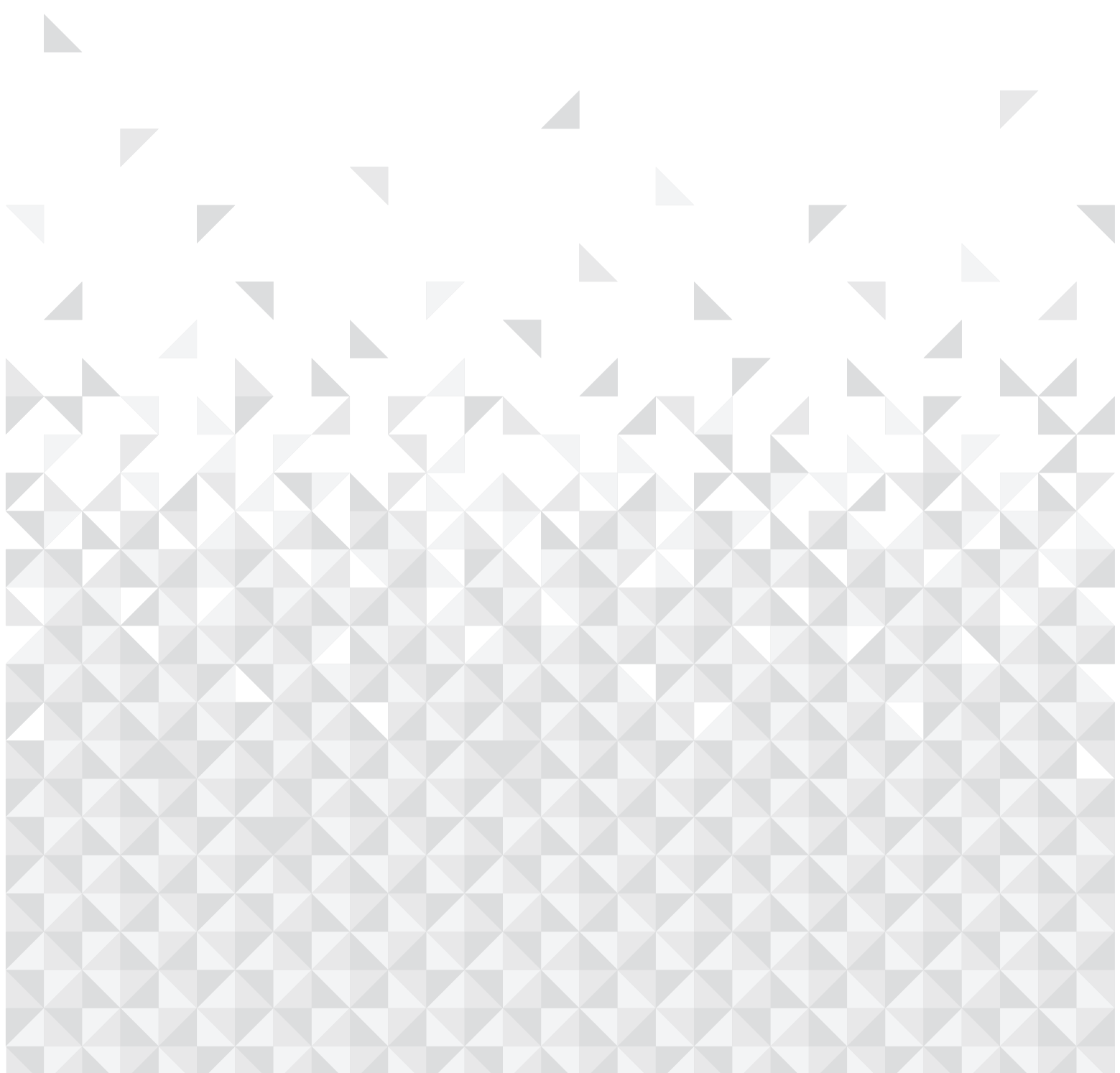




If you require any technical guidance or find that your product is not operating as intended, a simple solution can often be found in the **Troubleshooting** section of these instructions,

Care and maintenance

6



Care and maintenance

Looking after your appliance

Cleaning and maintenance

General

- Do not pour water over the appliance.
- Clean the accessories separately with soap and water. Do not put them in the dishwasher.
- Do not use abrasive products, detergents or soaps. After washing, rinse with clean water and dry carefully. When the cleaning operations have been completed, reconnect the plug with dry hands.
- **Warning:** never use sharp metal tools for this operation unless recommended by the manufacturer, as they can damage the freezing circuit.

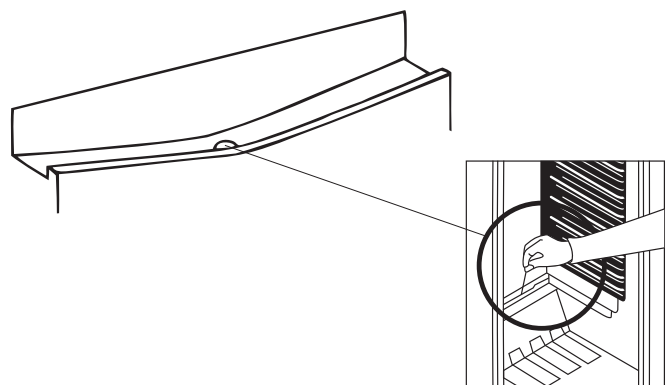
To remove the butter shelf, first take out the butter shelf cover, then remove the shelf. Do not try to remove butter shelf and cover together.



Defrosting

Defrosting the Refrigerator compartment

- Defrosting occurs automatically in refrigerator compartment during operation; the defrost water is collected by the evaporating tray and evaporates automatically.
- The evaporating tray and the defrost water drain hole should be cleaned periodically with defrost drain plug to prevent the water from collecting on the bottom of the refrigerator instead of flowing out.
- You can also pour ½ glass of the water to drain hole to clean inside.



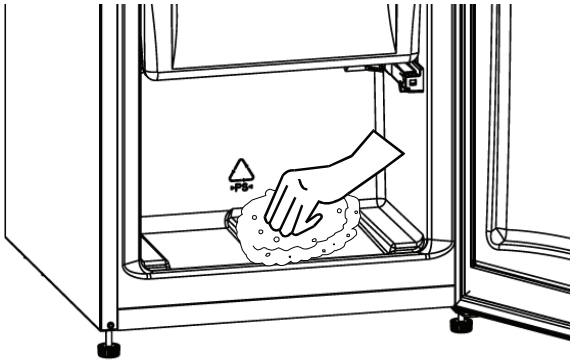
Defrosting the Freezer compartment

- The frost, which covers the shelves of the freezer compartment, should be removed periodically.
- Do not use sharp metal objects for this operation. They could puncture the refrigerator circuit and cause irreparable damage to the unit. Use the plastic scraper provided.
- When there is more than 5 mm of frost on the shelves, defrosting must be done.
- Before defrosting operation, place the frozen food in a cool place after wrapping them in sheets of newspaper in order to obtain its temperature steady for long time.
- To accelerate the defrosting process place one or more basins of warm water in the freezer compartment.

If you require any technical guidance or find that your product is not operating as intended, a simple solution can often be found in the Troubleshooting section of these instructions,

Care and maintenance

Looking after your appliance



- Dry the inside of the compartment with a sponge or a clean cloth.
- Once the unit has been defrosted, place the food into freezer and remember to consume them in a short period of time.

Replacing the LED

Contact the Bush helpline.

Care and maintenance

Looking after your appliance

Technical specification

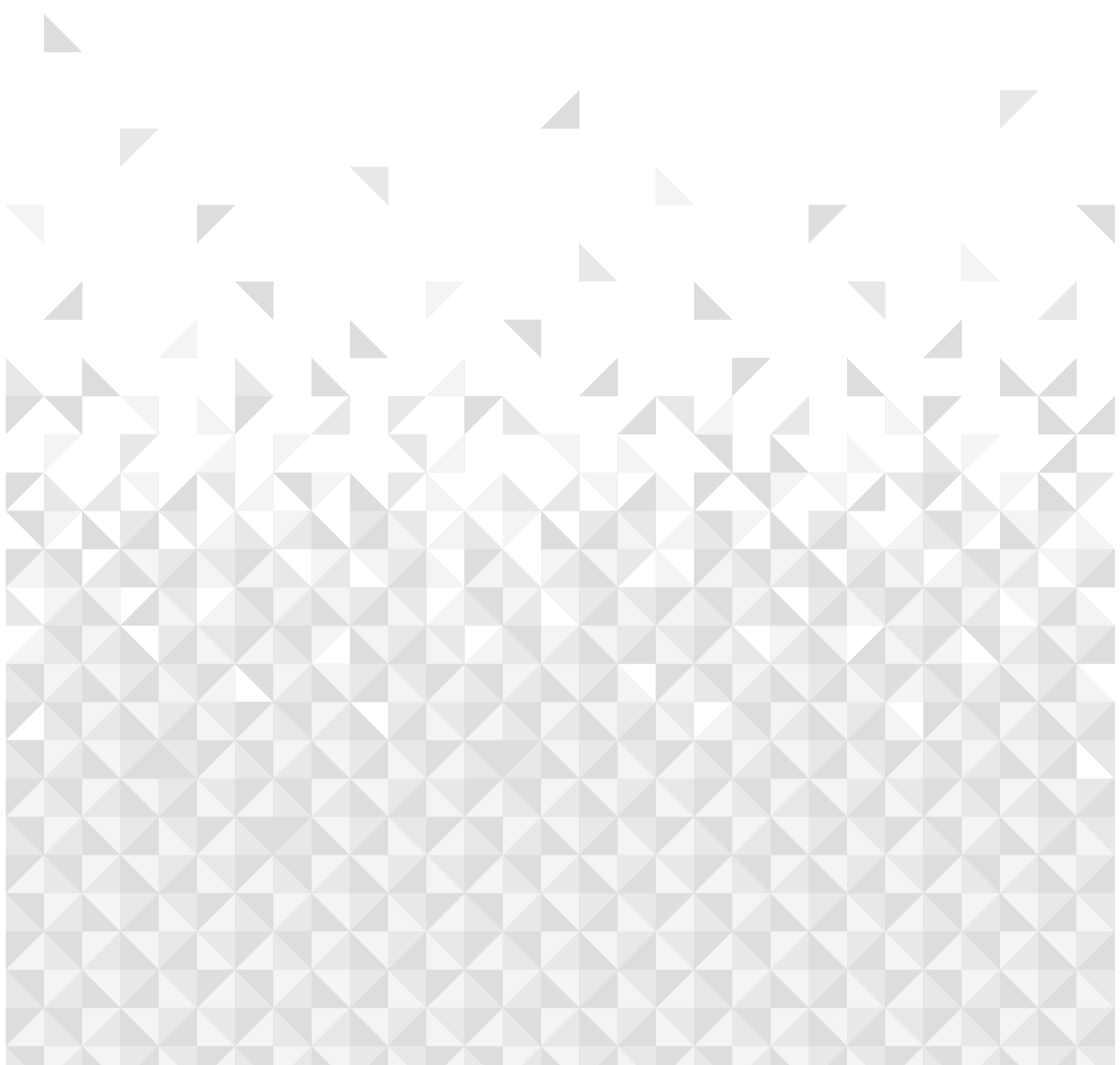
Supplier's name or trademark	BUSH
Model / Item	BIFFC55177
Type of appliance	BGN3200S
Energy efficiency class	A+
Voltage	220-240V / 50 Hz
Energy consumption	0.715 kWh/24h - 261 kWh/year
Net storage volume of fresh food	189 lt.
Net storage volume of frozen food	72 lt.
Star rating of frozen food storage compartment	4 (****)
Power cut failure safe storage	11 hours (25°C)
Freezing capacity	4 Kg
Climate class	N (16°C - 32°C)
Size (mm) (W x D x H)	540 x 545 x 1770
Noise	41 dB (A)

We apologise for any inconvenience caused by minor change or inconsistencies in these instructions that may occur as a result of product improvements and development.



Product support

7



Product support

Help is always at hand

If your freezer is not working properly there may be a minor problem, therefore check the following

Problem	Possible Causes	Possible Solutions
The appliance does not operate	There is a power failure The mains plug is not properly plugged in, or is loose The thermostat setting is on position "•"	The socket is defective. To check this, plug in a fully operable appliance into the same socket
The appliance performs poorly	You have overloaded the appliance The doors are not closed perfectly	There is not sufficient ventilation around the appliance
There is a noise	The cooling gas which circulates in the cooling circuit may make a slight noise (bubbling sound) even when the compressor is not running. Do not worry, this is quite normal. If these sounds are different check if; <ul style="list-style-type: none">• The appliance is installed firmly as described in the section of this instruction manual• Objects on the appliance are vibrating	

Important notes:

- During power cut, to prevent any compressor problem you should unplug the fridge - freezer. You should delay plugging in 5 – 10 minutes after your power supply returns. Of you plug out the fridge - freezer for a reason you should wait at least 5 min to replug. It is important for avoiding damage to fridge - freezer's components.
- If you will not be using your freezer for a long time (holiday, etc...), disconnect the plug from the socket. Clean your freezer as per chapter 6 of this document and leave the door open to prevent any humidification or odour formation.

Product support

Help is always at hand

Help and assistance

If you require any technical guidance or find that your Built-In Combi Fridge-Freezer is not operating as intended, a simple solution can often be found in the **Troubleshooting** section of these instructions or online at www.argos-support.co.uk

If you still require further assistance, call one of our experts on **0345 257 7271***. To help give us give you a fast and efficient service please have the following information ready:

Model Ref.	<input type="text"/>	You can find these on the rating plate - a small information panel (usually a sticker or metal plate) on the rear of your appliance
Serial number	<input type="text"/>	
Date of purchase	<input type="text"/>	This will be shown on your receipt

Local call rates applies*

Lines open 8am-7pm Monday to Saturday and 10am-4pm Sunday.

*Calls to Argos enquiry lines may attract a charge and set up fee from residential lines depending on your call plan/tariff . Mobile and other providers costs may vary, see www.bt.com/pricing for details.

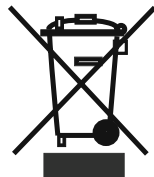
For Security and training purposes, telephone calls to and from customer service centres maybe recorded and monitored. Calls from Republic of Ireland will attract international call charges.

Product support

Help is always at hand

Disposal

- The symbol on the product or on its packaging indicates that this product may not be treated as household waste. Instead it shall be handed over to the applicable collection point for the recycling of electrical and electronic equipment.
- By ensuring this product is disposed of correctly, you will help prevent potential negative consequences for the environment and human health, which could otherwise be caused by inappropriate waste handling of this product.
- For more detailed information about recycling of this product, please contact your local city office, your household waste disposal service or the shop where you purchased the product.



Product support

Help is always at hand

Guarantee

BUSH

Call us now and activate your 12 month guarantee

Thank you for choosing Bush. Your new product is guaranteed against faults and breakdowns for 12 months. Don't forget to register it with us today so we can provide you with our best possible after-sales service and useful updates.

www.bushregistration.co.uk

FREEPHONE*

0800 597 8548

Lines are open 8am - 8pm, 365 days a year. *Calls may be recorded and monitored.

Your Bush Guarantee

This product is guaranteed for twelve months from the date of original purchase. Any defect that arises due to faulty materials or workmanship will be repaired free of charge (or if applicable the product will be replaced or the purchase price refunded) where possible during this period by the dealer from who your purchased the unit.

The guarantee is subject to the following provisions:

- The guarantee does not cover accidental damage, misuse, cabinet parts, knobs or consumable items.
- The product must be correctly installed and operated in accordance with the instructions contained in the manual.
- It must be used solely for domestic purposes. The guarantee will be rendered invalid if the product is re-sold or has been damaged by inexpert repair.
- Specifications are subject to change without notice.
- Bush disclaim any liability for loss or damage arising from the breakdown of the product.
- This guarantee is in addition to and does not diminish your statutory or legal rights.

Important Data Protection Information

If you provide us with information about another person, you confirm that they have appointed you to act for them, to consent to the processing of their personal data including sensitive personal data and that you have informed them of our identity and the purposes (as set out in the Important Data Privacy notice displayed overleaf) for which their personal data will be processed.

You are entitled to ask for a copy of the information we hold about you (for which we may charge a small fee) and to have any inaccuracies in your information corrected.

For quality control and training purposes, we may monitor or record your communications with us.

If your personal details change, if you change your mind about any of your marketing preferences or if you have any queries about how we use your information, please let us know by contacting our Data Protection Officer, Domestic & General, Leicester House 17 Leicester Street, Bedworth, Warwickshire CV12 8JP.

Guarantor: Argos Limited - 489 - 499 Avebury Blvd. - Milton Keynes - MK9 2NW

or online at www.argos-support.co.uk If you still require further assistance, call one of our experts on 0345 257 7271.

BUSH

Contact:

www.argos-support.co.uk

Helpline: 0345 257 7271