

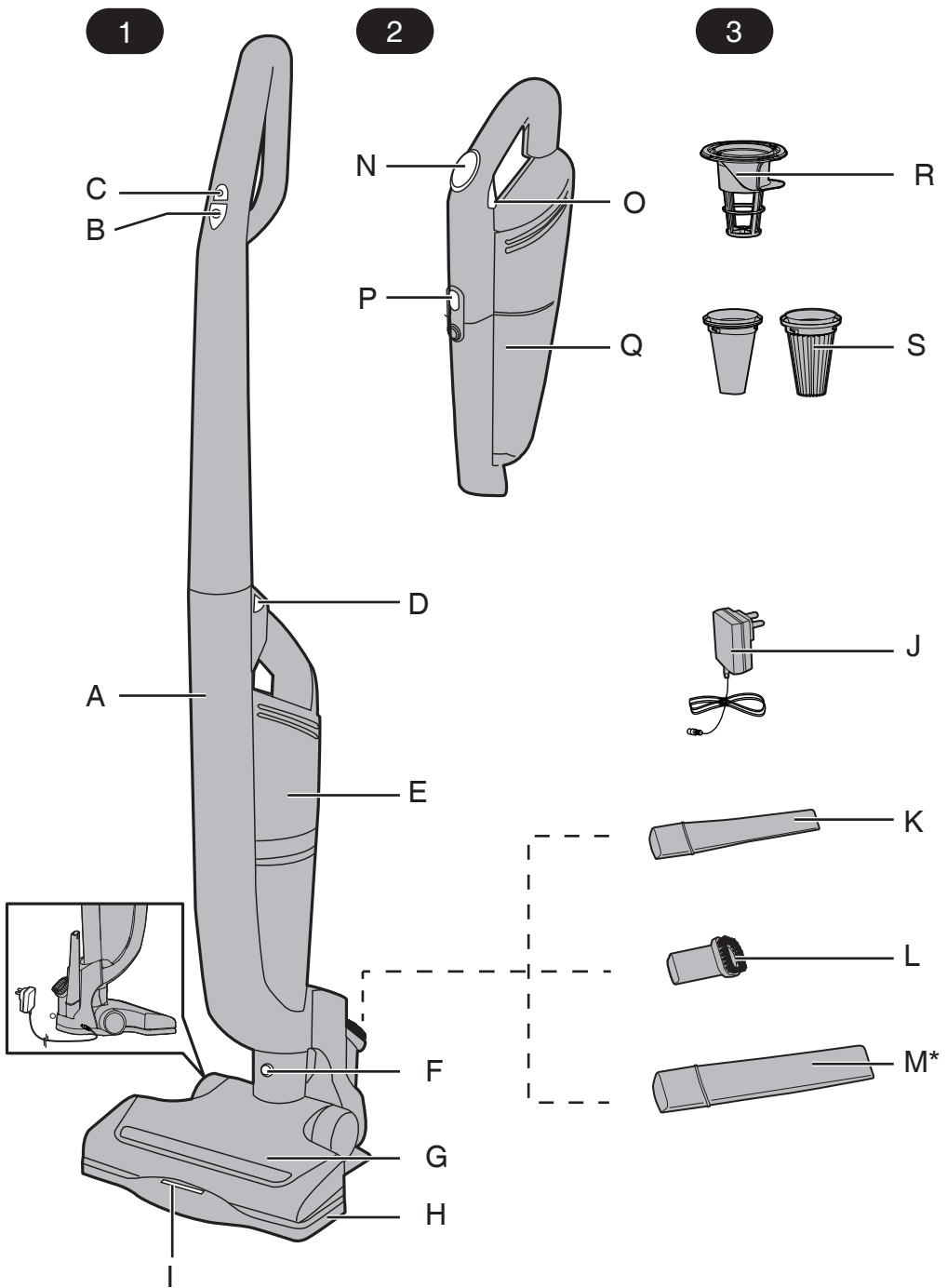
HOOVER

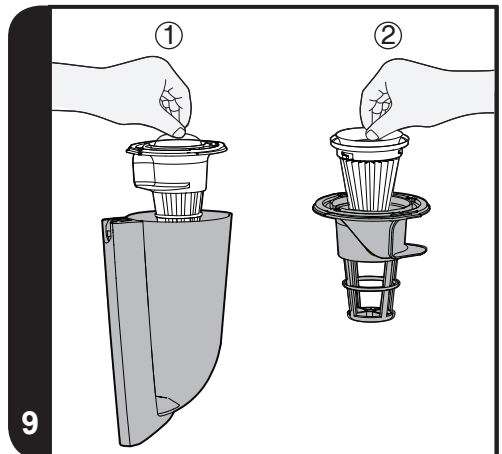
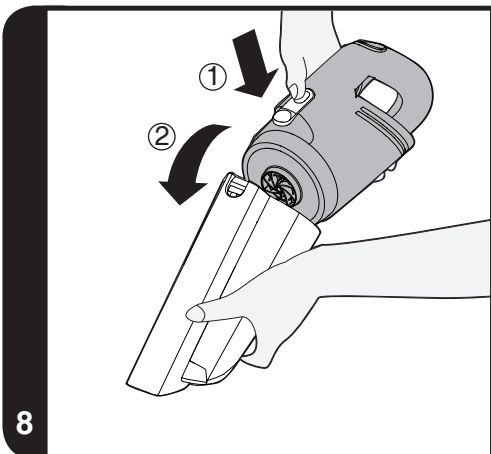
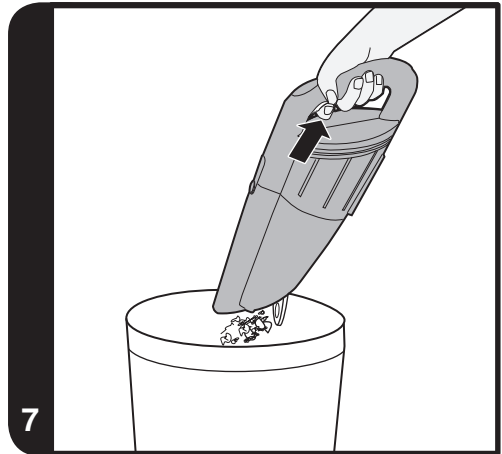
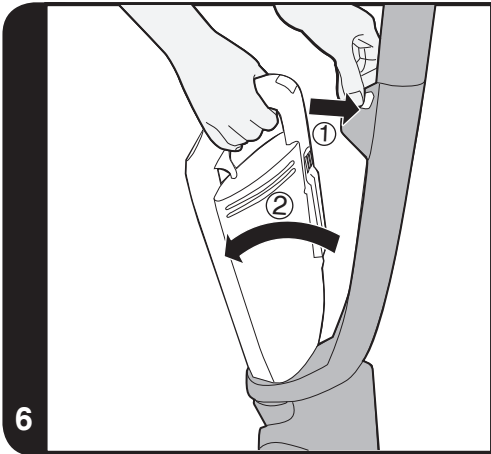
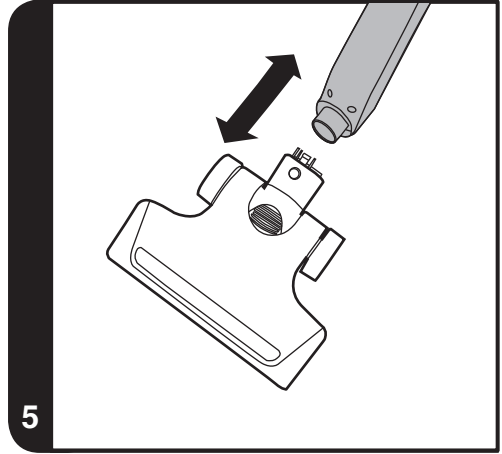
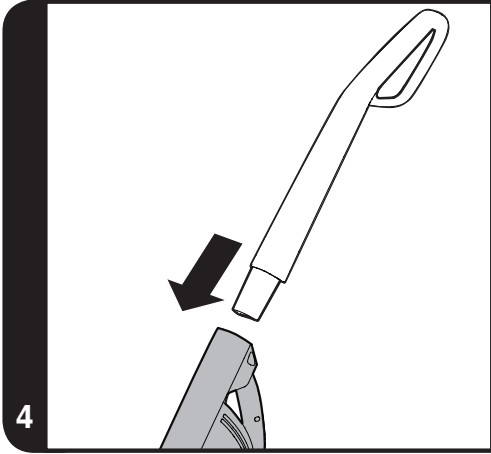
INSTRUCTION MANUAL



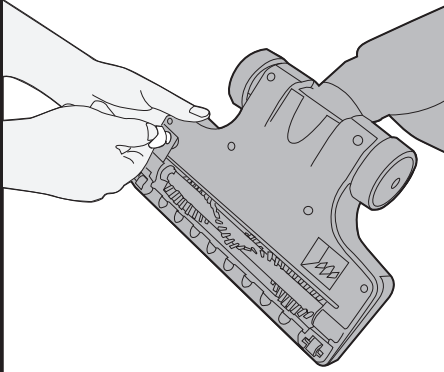
GENERATION FUTURE



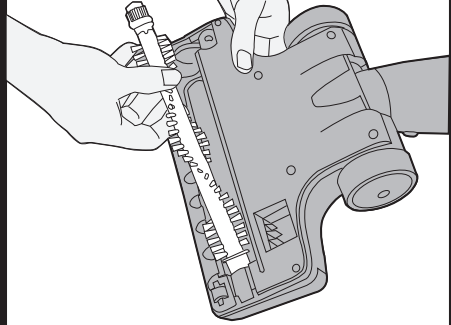




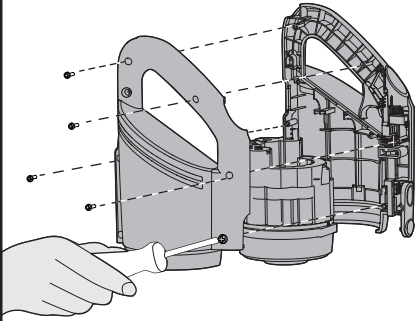
10



11



12



INSTRUCTIONS FOR SAFE USE

This appliance should only be used for domestic cleaning, as described in this user guide. Please ensure that this guide is fully understood before operating the appliance.

Always switch off and remove the charger from the socket before cleaning the appliance or any maintenance task.

This appliance can be used by children aged from 8 years and above and persons with reduced physical, sensory or mental capabilities or lack of experience and knowledge if they have been given supervision or instruction concerning use of the appliance in a safe way and understand the hazards involved. Children shall not play with the appliance. Cleaning and user maintenance shall not be made by children without supervision.

If the power cord is damaged stop using the appliance immediately. To avoid a safety hazard, an authorised Hoover service engineer must replace the power cord.

Keep hands, feet, loose clothing and hair away from rotating brushes.

Use only the original charger supplied with the appliance.

Check that your supply voltage is the same as that stated on the charger.

This appliance is supplied with a double insulated battery charger which is only suitable for insertion in a 230V (UK 240V) socket outlet.

Put the appliance on the charger base and plug the charger in to suitable socket outlet.

When charging the appliance, the power switch must be off.

Before first use, charge your appliance for 24 hours. The charge base indicator will light when charging.

Do plug in the charger after use to recharge the batteries.

It is normal for the charger to become warm to the touch when charging.

Do not unplug the charger by pulling on the power cord.

Unplug the charger in the event of prolonged absence (holidays, etc.). Recharge appliance again before use as batteries may self discharge over increased periods of storage.

If the appliance is to be disposed of the batteries must first be removed. The appliance must be disconnected from the supply mains when removing the battery. Dispose of the batteries safely. Run the appliance until it stops because the batteries are fully discharged. Used batteries should be taken to a recycling station and not disposed of with household waste. To remove the batteries, please contact the Hoover Customer Centre or proceed according to the following instructions.

IMPORTANT: Always fully discharge the batteries before removal and ensure the charger is unplugged.

1. Run the cleaner until the batteries are completely empty.
2. Remove the ergonomic handle and the screws, in the main body to open the cleaner. **[12]**
3. Remove the motor battery housing and disconnect the cables.
4. Remove the batteries from the housing.

NOTE: Should you experience any difficulty in dismantling the unit or for more detailed information on treatment, recovery and recycling of this appliance, please contact your local city office or your household waste disposal service.

DO NOT expose the batteries to a room temperature above 40°C.

Use only attachments, consumables or spares recommended or supplied by Hoover.

Static electricity: some carpets can cause a small build up of static electricity. Any static discharge is not hazardous to health.

Do not use your appliance out of doors or on any wet surface or for wet pick up.

Do not pick up hard or sharp objects, matches, hot ashes, cigarette ends or other similar items.

Do not spray with or pick up flammable liquids, cleaning fluids, aerosols or their vapours.

Do not run over the power cord when using your appliance or remove the plug by pulling on the power cord.

Do not continue to use your appliance or charger if it appears faulty.

Hoover service: To ensure the continued safe and efficient operation of this appliance we recommend that any servicing or repairs are only carried out by an authorised Hoover service engineer.

Do not use the appliance to clean animals or people.

Do not replace the batteries with non-rechargeable batteries.

Do frequently clean the dust cup and filter assembly.

The Environment:

This appliance is marked according to the European directive 2011/65/EC on Waste Electrical and Electronic Equipment (WEEE). By ensuring this product is disposed of correctly, you will help prevent potential negative consequences for the environment and human health, which could otherwise be caused by inappropriate waste handling of this product. The symbol on the product indicates that this product may not be treated as household waste. Instead it shall be handed over to the applicable collection point for the recycling of electrical and electronic equipment. Disposal must be carried out in accordance with local environmental regulations for waste disposal. For more detailed information about treatment, recovery and recycling of this product, please contact your local city office, your household waste disposal service or the shop where you purchased the product.



This product complies with the European Directives 2006/95/EC, 2004/108/EC and 2011/65/EC.

Hoover Limited Pentrebach, Merthyr Tydfil, Mid Glamorgan CF48 4TU

PRODUCT COMPONENTS

1 - Main Cleaner

- A. Main Body
- B. On/Off Switch
- C. On/Off Turbo Switch
- D. Push and Go Release Button
- E. Handheld Cleaning Unit
- F. Nozzle Release Button
- G. Carpet and Floor Nozzle
- H. Charging Base
- I. Charging Indicator
- J. Charger
- K. Crevice Tool
- L. Dusting Brush
- M. Rigid Extension Tube*

2 - Handheld cleaner

- N. On/Off Switch
- O. Bin Empty Trigger
- P. Filter Access Button
- Q. Dust Container

3 - Filters

- R. Filter Screen
- S. Filter

PREPARING YOUR CLEANER

1. Line up the handle to the main body of the cleaner and push into the main body until it locks in place. **[4]**
2. Line up the nozzle with the main body and firmly push into the main Body until the nozzle locks into place. **[5]**
3. Assemble the handheld unit **[2]** to the main body.
4. Place the cleaner on the charging base. For first use, charge your cleaner for 24 Hrs. After first use the normal charging time is 16 Hrs.
5. The indicator light will illuminate when charging.

NOTE: To remove the nozzle press the nozzle release button and pull away from the main body.

NOTE: Use only the charger supplied with your cleaner to recharge.

IMPORTANT: When charging the cleaner the On/Off switch must be OFF.

Keep the charger plugged into the socket at all times. It is normal for the charger to become warm to the touch when charging.

If the operating times reduces after repeated use let the cleaner run until it stops then recharge for 24 hours, repeat this monthly for best results.

USING YOUR CLEANER

Main cleaner

1. Turn the cleaner on by pressing the On/Off button. **[1B]**
2. Set the On/Off Turbo switch to the desired cleaning mode. **[1C]**
CARPET: Switch Turbo Nozzle ON (LED will be ON.)
HARD FLOOR: Switch Turbo Nozzle OFF (LED will be OFF.)

Handheld Cleaner

1. Press the Push and Go button and lift the handheld unit from the cleaner main body. **[6]**
2. Turn the handheld cleaner on by pressing the On/Off button. **[2N]**

ACCESSORIES

Rigid Extension Tube*, Crevice Tool and Dusting brush

All accessories are stored at the rear of the charger. All fit directly onto the handheld unit.

* Features vary according to model

CLEANER MAINTENANCE

Emptying the Dust Container

Hold the unit over a bin and pull the bin empty trigger [20] to instantly empty the dust container. [7]

Cleaning the Filters

1. Release the handheld unit from the main body of the cleaner.
2. Press the filter access button [2P] and remove the handle section from the dust container. [8]
3. Use the filter handle to remove the filter and filter screen from the dust container. [9]
4. Wash the filter and screen in hand warm water. Once thoroughly dry return to the dust container.
5. Reassemble the handheld unit and return to the cleaner main body.

NOTE: Do not use hot water or detergents when cleaning the filters. In the unlikely event of the filters becoming damaged, fit a genuine Hoover replacement. Do not try and use the product without a filter fitted.

Changing the Agitator

1. Using a coin turn the lock to the open position. [10]
2. Remove the agitator retainer.
3. Unloop the belt and lift the agitator out of the cleaner. [11]
4. Loop the belt around the new agitator and return to its original position. Replace the agitator retainer and lock in place.

End of Product Life Battery Disposal

If the cleaner is to be disposed of the batteries should be removed. Used batteries should be taken to a recycling station and not disposed with household waste.

IMPORTANT: Always fully discharge the batteries before removal.

1. Run the unit until the batteries run flat.
2. Release the handheld unit from the main body of the cleaner.
3. Press the filter access button and remove the handle section from the dust container.
4. Remove 6 screws and open the unit. [12]
5. Remove the motor/battery housing and disconnect the cables.
6. Remove the batteries from the housing.

NOTE: Should you experience any difficulties in dismantling the unit or for more detailed information about treatment, recovery and recycling of this product, please contact your local city office, your household waste disposal service.

HOOVER SPARES AND CONSUMABLES

Always replace parts with genuine Hoover spares. These are available from your local Hoover dealer or direct from Hoover. When ordering parts always quote your model number.

- Pre motor HEPA Filter - S93 – 35600860
- Agitator - Y24 - 35600861

YOUR GUARANTEE

The guarantee conditions for this appliance are as defined by our representative in the country in which it is sold. Details regarding these conditions can be obtained from the dealer from whom the appliance was purchased. The bill of sale or receipt must be produced when making any claim under the terms of this guarantee.

Subject to change without notice.



®

GENERATION FUTURE

PRINTED IN P.R.C.
48011785