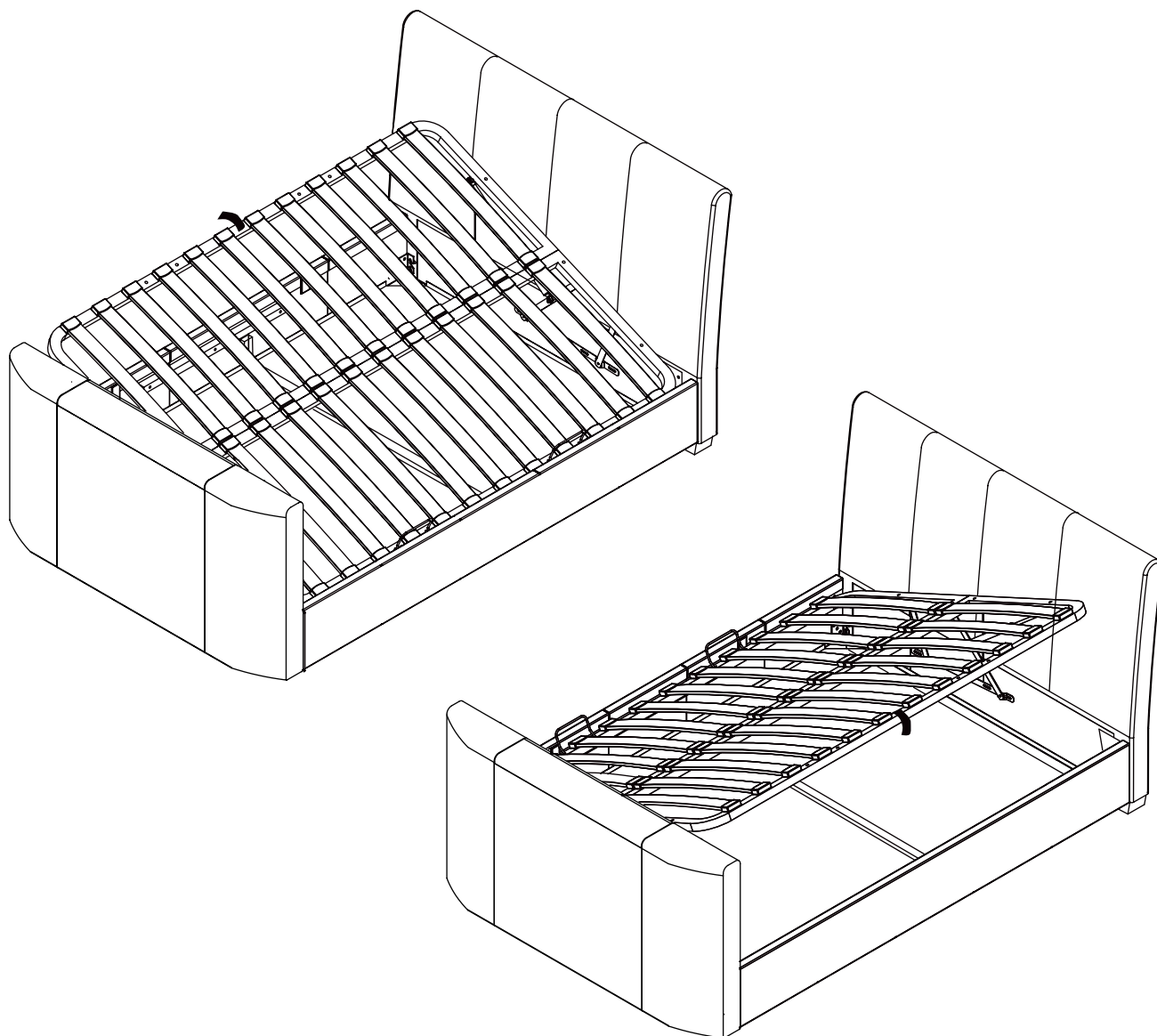


Lamberto Ottoman TV Bed

Assembly Instructions - Please keep for future reference

496/8870



Dimensions (4-6)

Length - 227 cm

Width - 146 cm

Height - 103 cm

Important - Please read these instructions fully before starting assembly

If you need help or have damaged or missing parts, call one of the Customer Helplines:

0345 6400 800 (For order problems, incorrect product or missing/damaged parts).

01626 879 158 (Only for problems with TV Installation, Electrical System or TV Lift not working).



Safety and Care Advice

Important – Please read these instructions fully before starting assembly

Check you have all the components and tools listed on pages 2 and 3.

Remove all fittings from the plastic bags and separate them into their groups.

Keep children and animals away from the work area, small parts could choke if swallowed.

Make sure you have enough space to layout the parts before starting.

Assemble the item as close to its final position (in the same room) as possible.

Assemble on a soft level surface to avoid damaging the unit or your floor.

Assembly requires 2 people.

Do not fully tighten bolts until the whole bed is assembled.

Do not over tighten the nuts to avoid causing damage to the threads.



We do not recommend the use of power drill/drivers for inserting screws, as this could damage the unit.

Only use hand screwdrivers and Allen keys.

Dispose of all packaging carefully and responsibly.

Care and maintenance

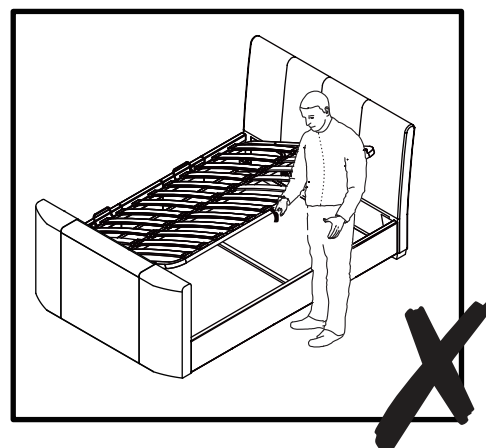
Only clean using a damp cloth and mild detergent, do not use bleach or abrasive cleaners.

From time to time check that there are no loose screws on this unit.

This product should not be discarded with household waste. Take to your local authority waste disposal centre.

Important Ottoman Safety Warnings

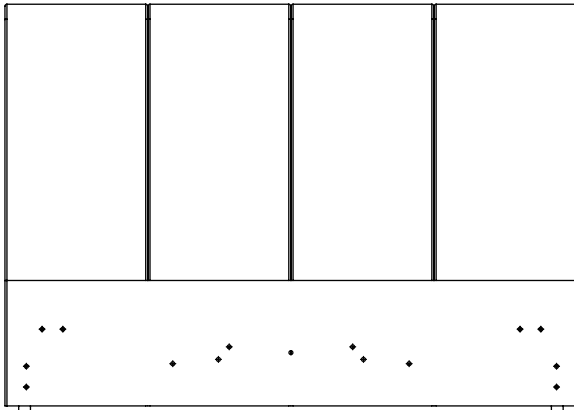
- Caution. This bed frame uses a pressurised mechanism.
- Always operate with caution and always use the fabric hand strap to lift & lower the ottoman frame and only as shown illustrated in the assembly instructions.
- You must ensure the mattress is on the frame before lifting the mechanism - failure to do so may result in injury.
- Please ensure children and pets are kept away from the bed when lifting the ottoman frame
- If removing the mattress, make sure that the frame is secured as it could flip open.
- Only use the storage compartment when the frame is fully raised in the 'up' position.
- No children or animals to be left unattended when the frame is in the 'up' position.
- Do not remain on the bed whilst the lifting mechanism is in use.
- Beware of Entrapment - Keep both hands clear of mechanism when moving the frame up or down.
- When lifting the bed remove all bedding except the fitted sheet.



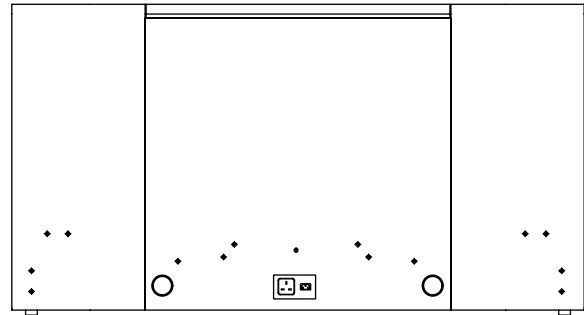
Components - Parts

If you have damaged or missing components, call the **Customer Helpline: 0345 6400 800**

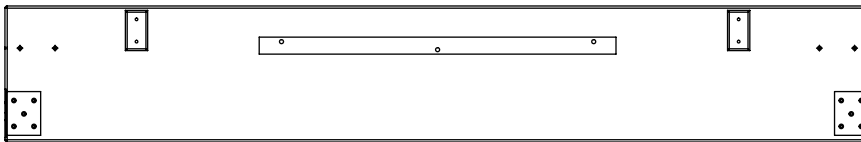
Please check you have all the parts listed below



1 Headboard (4-6 -1460 x 1030mm)



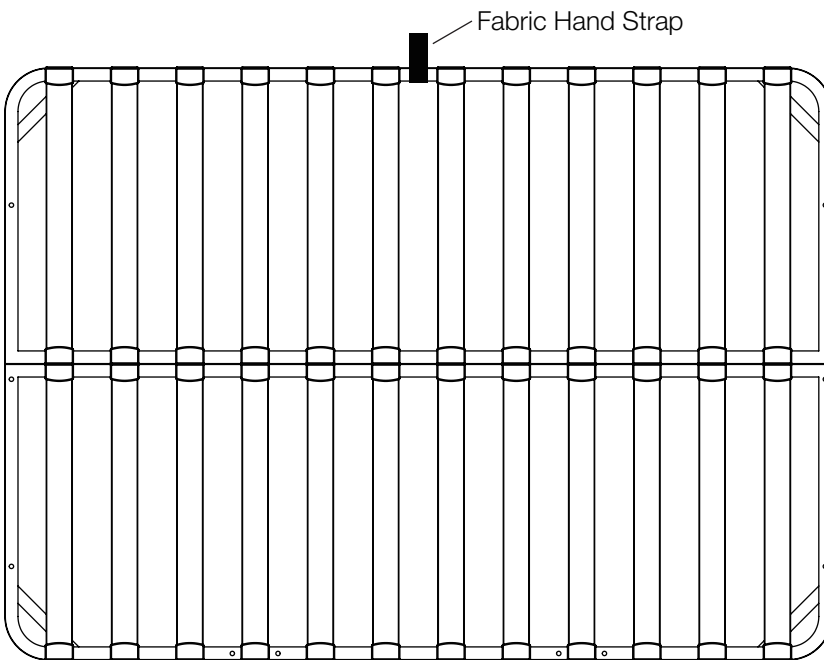
2 Footboard (4-6 -1460 x 770mm)



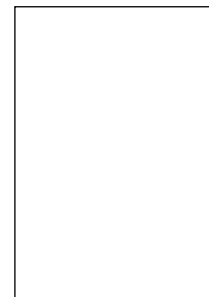
3 Side rails x2 (4-6 - 1930 x 305 x 35mm)



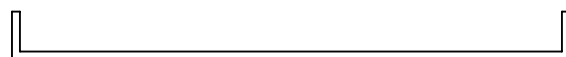
4 Angle Brackets x4



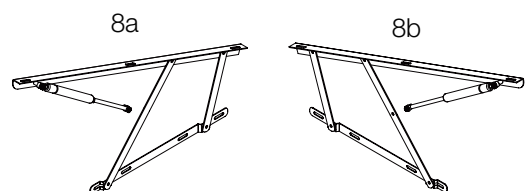
5 Ottoman Frame (4-6 -1900 x 1370mm)



6 Fabric base cover (4-6 -1420 x 1960mm)



7 'U' shaped cross bar (4-6 -1390 x 40mm)



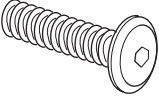
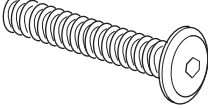


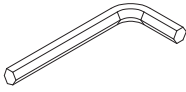
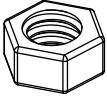


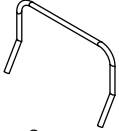
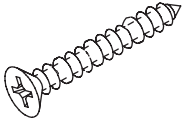
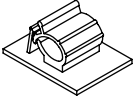
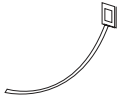
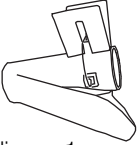
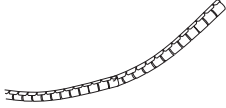

8 Hinge Mechanisms x1 pair

Components - Fittings

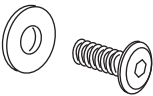
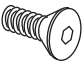
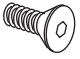



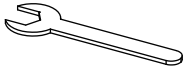
If you have damaged or missing components, call the **Customer Helpline: 0345 6400 800**

Please check you have all the fittings listed below

Note: The quantities below are the correct amount to complete the assembly. In some cases more fittings may be supplied than are required.

<p>A</p>  <p>Allen Screw (M8x30mm) x32</p>	<p>B</p>  <p>Allen Screw (M8x45mm) x6</p>	<p>C</p>  <p>Spring Washer (for M8 screw) x38</p>
<p>D</p>  <p>Flat Washer (for M8 screw) x44</p>	<p>E</p>  <p>Allen Key (for M8 screws) x1</p>	<p>F</p>  <p>Nut (M8) x6</p>
<p>G</p>  <p>Spanner For holding nuts (F&H) x1</p>	<p>H</p>  <p>Flange Lock-Nut x2</p>	<p>J</p>  <p>Mattress Stopper x2</p>
<p>K</p>  <p>Screw (4x50mm) x4</p>	<p>L</p>  <p>Cable Clip x3</p>	<p>M</p>  <p>Cable Tie x3</p>
<p>N</p>  <p>Cable Management Clip x1</p>	<p>P</p>  <p>Cable Management Tube x1</p>	<p>Q</p>  <p>Mains Power Lead (3 metre) x1</p>

TV INSTALLATION KIT

<p>R</p>  <p>Screw-Washer set (M8x25mm) x4</p>  <p>Counter-Sunk Screw (M6x12mm) x4</p>  <p>Counter-Sunk Screw (M4x12mm) x4</p>	<p>S</p>  <p>Allen Key (5mm) x1</p>  <p>Allen Key (4mm) x1</p>  <p>Allen Key (2.5mm) x1</p>	<p>T</p>  <p>Spanner for Nut (M6) x1</p>
--	---	--

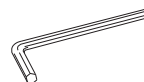
Tools required



Ruler/tape measure



Phillips screw-driver

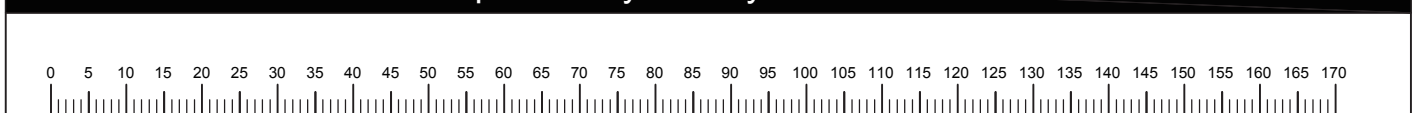


Allen key (supplied)



Spanner (supplied)

Ruler - Use this ruler to help correctly identify the screws



Assembly Instructions

Step 1

At this stage you can choose to have the ottoman frame lifting from either side as shown.

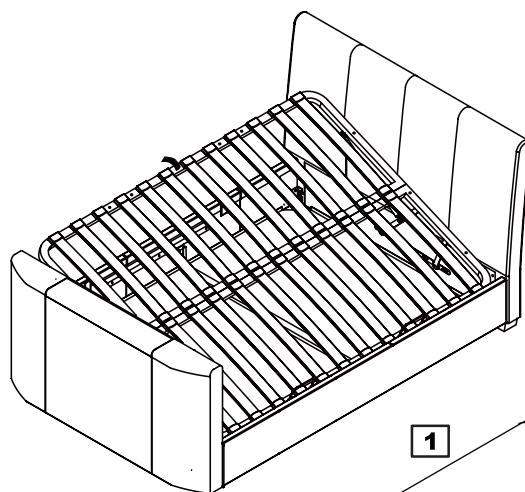
Attaching Hinge Mechanism For Left Opening

To lift from the left side, assemble hinge mechanisms **8** in the location shown.

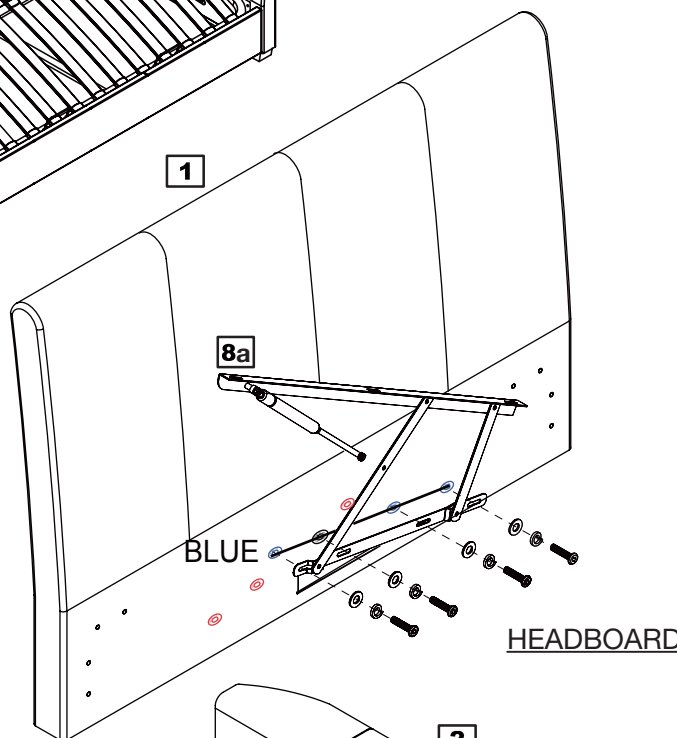
Note: Use the holes colour coded blue.

Secure the hinge mechanisms **8** to the headboard **1** and footboard **2** using screw **A**, spring washer **C** and flat washer **D**.

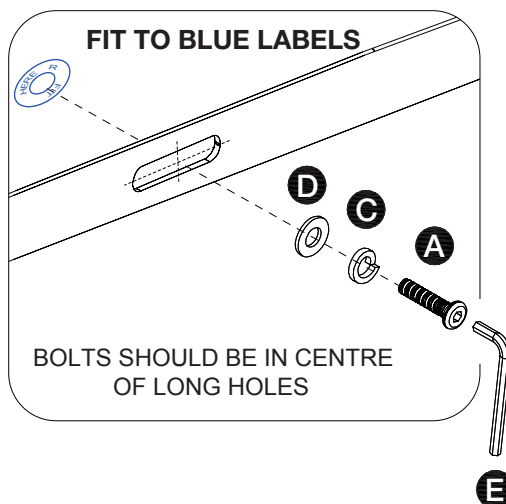
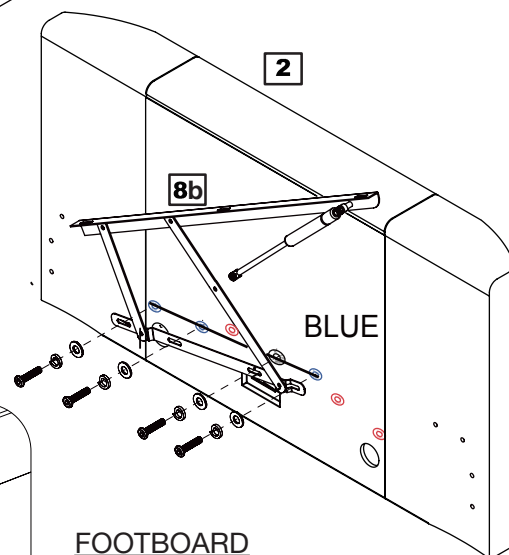
Opening from left side



IMPORTANT
Use blue colour fixing holes for left side opening.



IMPORTANT
Use blue colour fixing holes for left side opening.



Assembly Instructions

Step 2

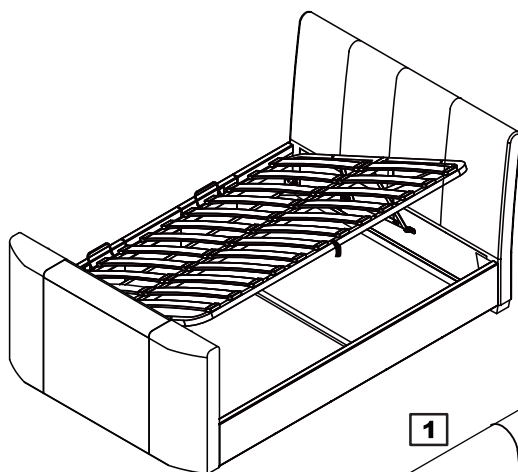
Attaching Hinge Mechanism For Right Opening

To lift from the right side, assemble hinge mechanisms **8** in the location shown.

Note: Use the holes color coded red.

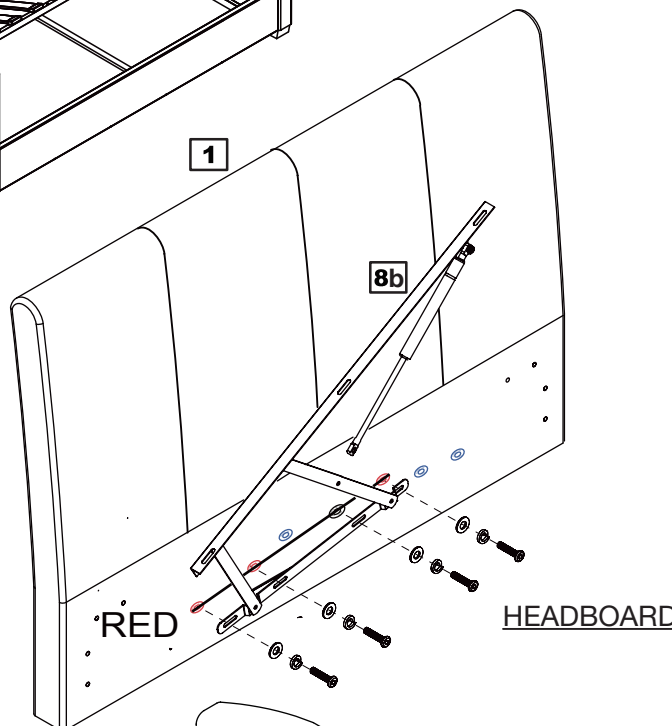
Secure the hinge mechanisms **8** to the headboard **1** and footboard **2** using screw **A**, spring washer **C** and flat washer **D**.

Opening from right side



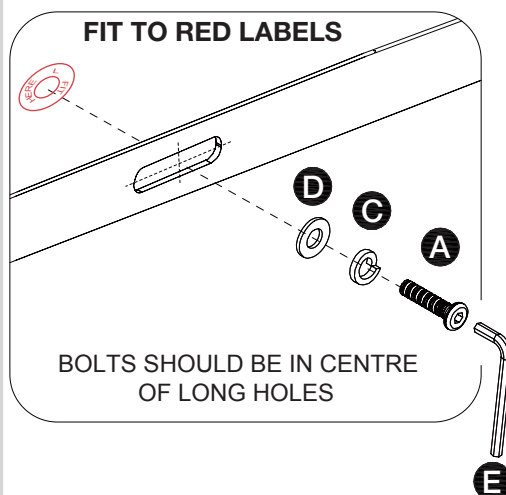
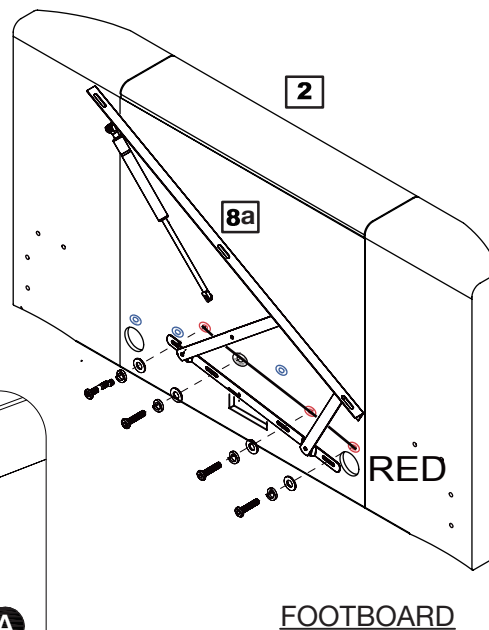
IMPORTANT

Use red colour fixing holes for right side opening.



IMPORTANT

Use red colour fixing holes for right side opening.



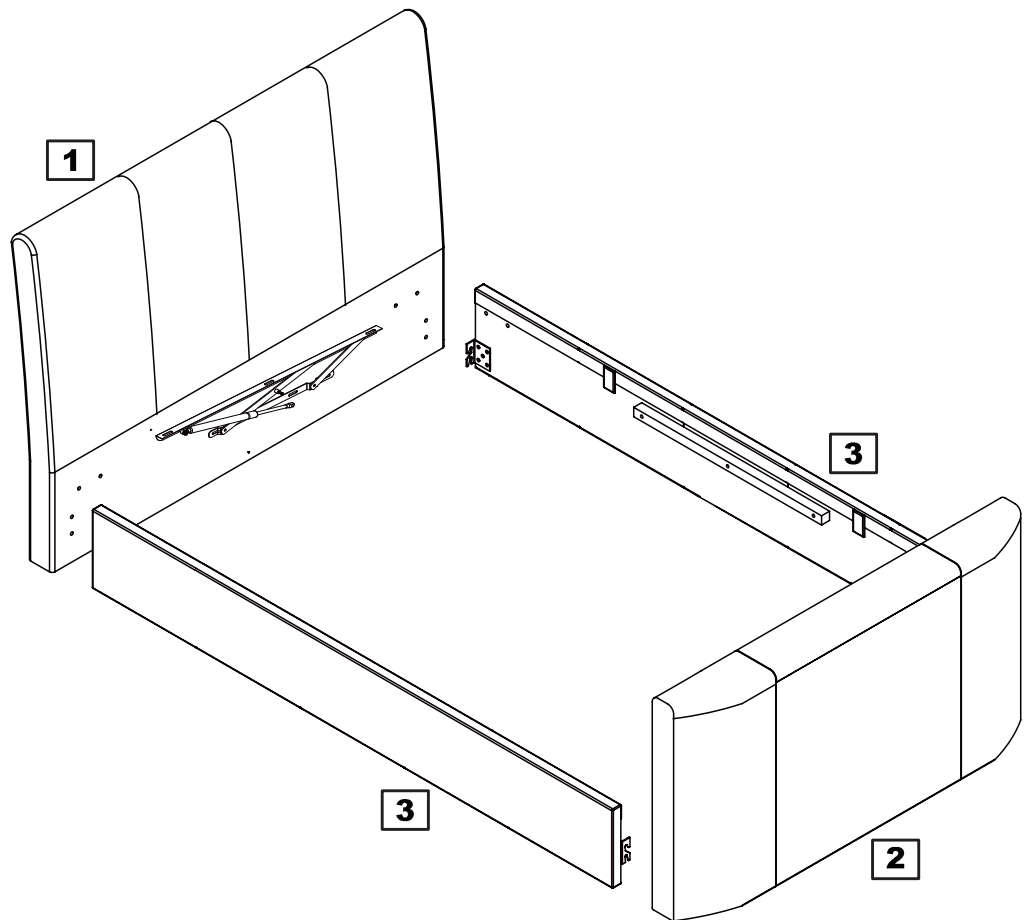
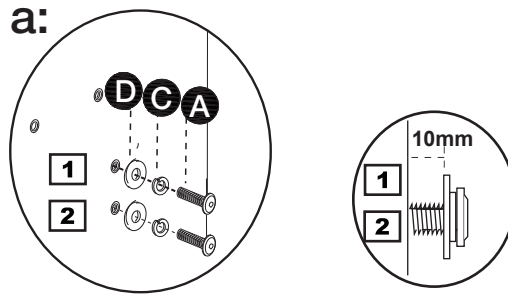
Assembly Instructions

Step 3

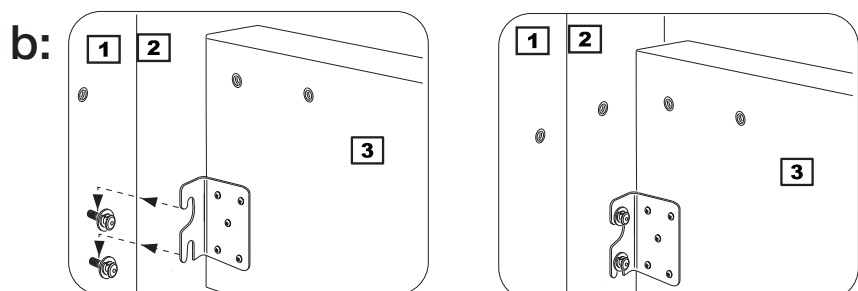
Assembling headboard and footboard

a: Loosely insert screws **A** with spring washers **C** and flat washers **D** into each side of headboard and footboard **1** and **2**.

Note: Do not tighten fully. Leave 10mm protruding as in the diagram.



b: Hang the side rail **3** brackets onto screws **A** behind the flat washers.



Assembly Instructions

Step 4

Assembling Bedstead

Make sure the frame is straight and square.

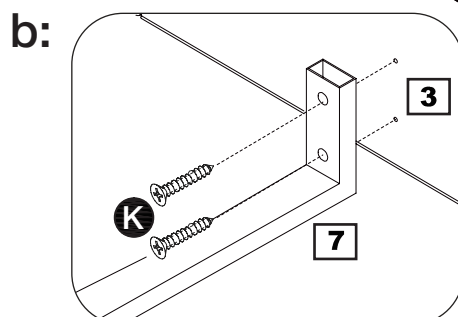
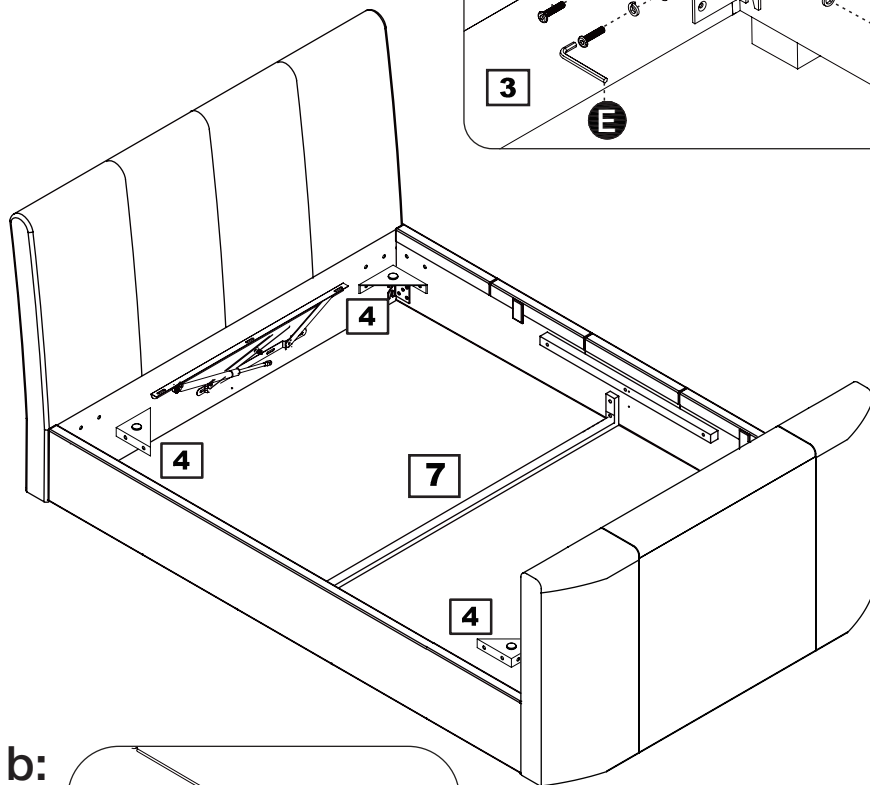
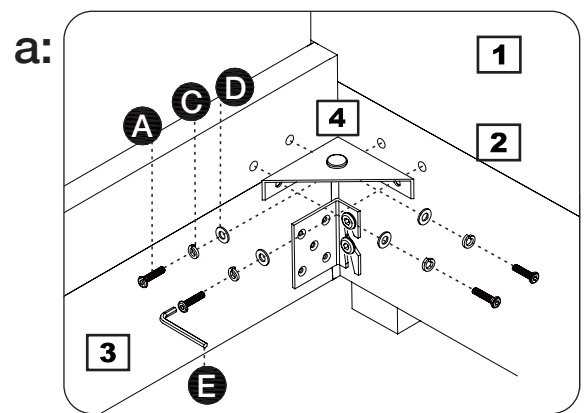
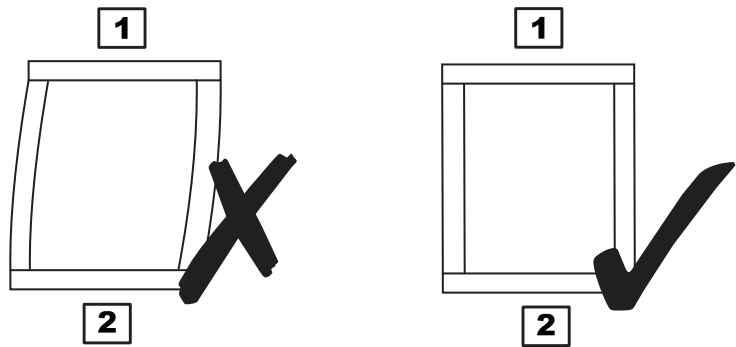
a: Fit angle brackets **4** into each corner, using fixings **A**, **C** and **D**.

Note: Do not fully tighten at this stage.

b: Fit the 'U' shaped cross bar **7** to centre of side rails **3** using screws **K**.

Note: The fixing hole locations are marked on the side rails.

When all the bolts are in place, make sure the frame is still square and then fully tighten all screws.



Assembly Instructions

Step 5

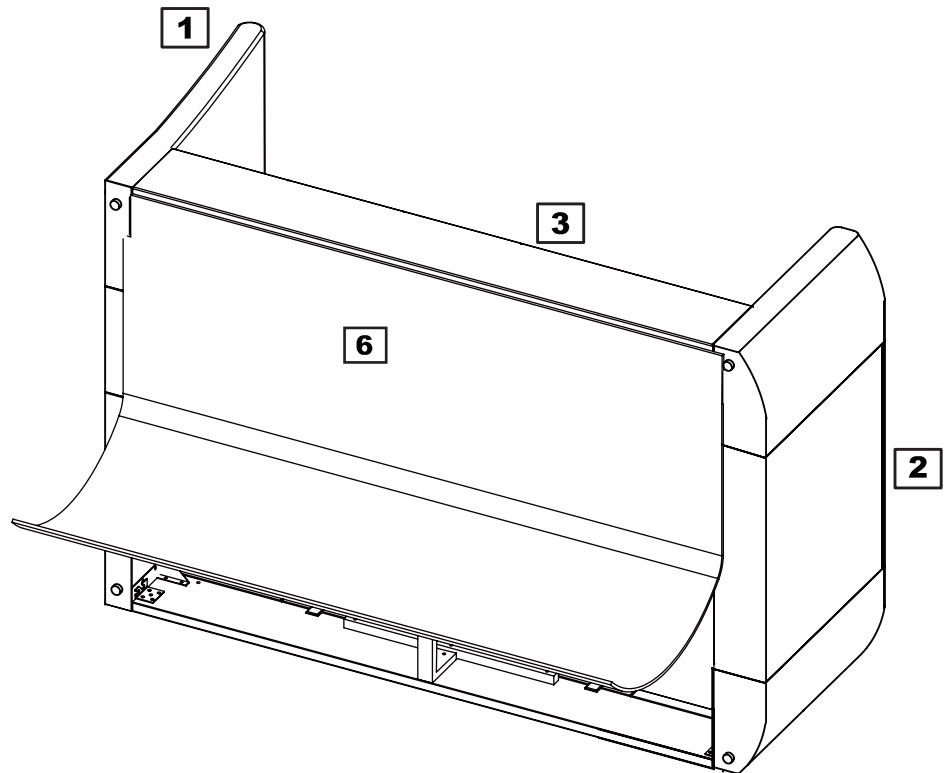
Fitting Base Cover

With help, carefully turn the frame on its side and attach fabric base cover **6** to the bottom of the side rails, headboard and footboard with the velcro tape.

Make sure fabric is fixed evenly all round.

⚠ Warning:

The frame is heavy. Lift evenly at each end taking care not to twist it.



Assembly Instructions

Step 6

Prepare To Install TV

Before fitting the television to the TV lift please check below:

Maximum dimensions of TV that can be used in this bed:

Width = 80 cm

Depth = 7 cm

Height = 44 cm

Maximum weight of TV that can be used in this bed = 6.5 Kg

To Raise The Mechanism

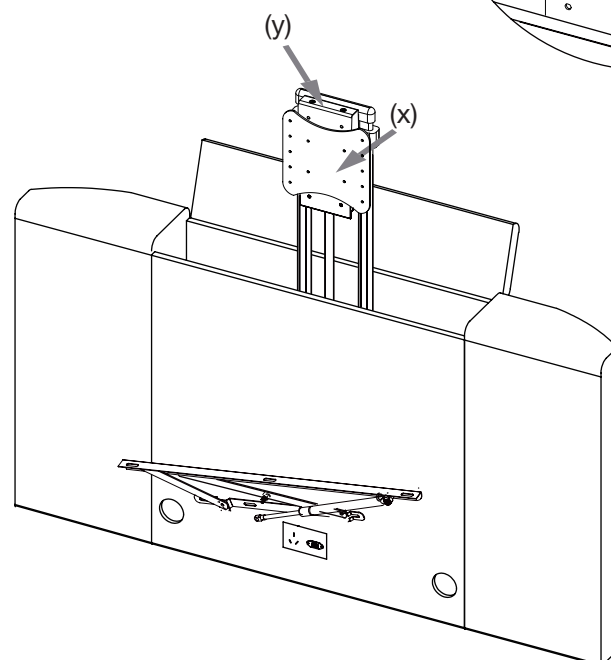
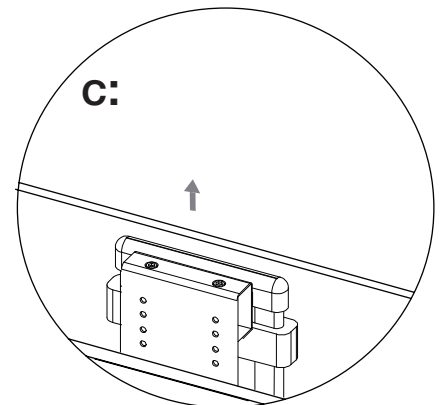
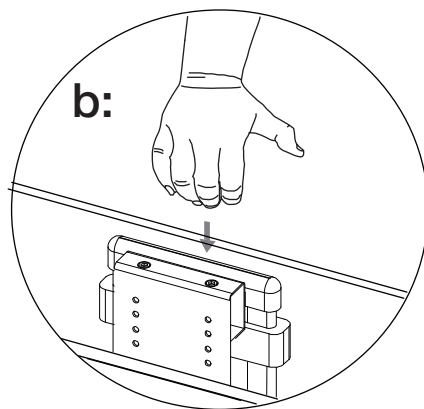
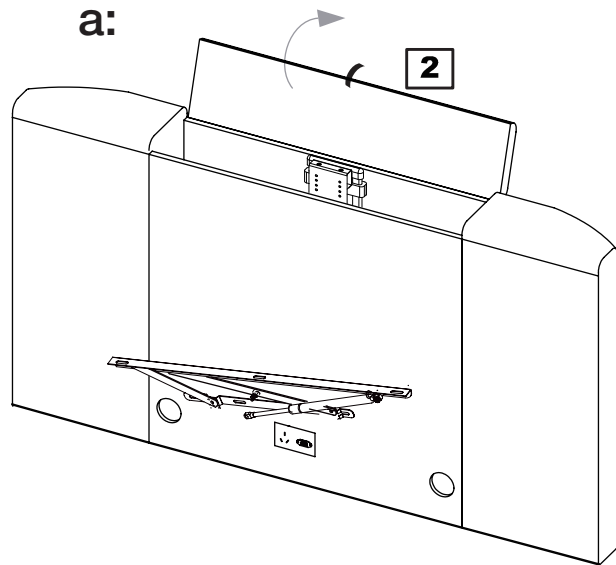
a: Lift the lid on top of footboard **2**.

b: Gently press down on the top of the TV lift handle with the palm of your hand until it comes to a stop.

c: Release pressure and the lift will rise smoothly to the top. Do not try to pull it up.

Note: The TV is not supplied with the bed, it is purchased separately.

The TV mounting bracket (x) is factory fitted to column bracket (y). The bracket (x) can be turned upside down to give more flexibility in adjustment - see Step 7 & 8 for more information.



Assembly Instructions

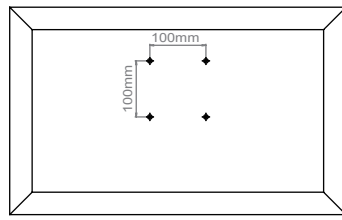
Step 7

Fitting TV with Vesa mounting holes at 100x100, 200x100 or 200x200mm

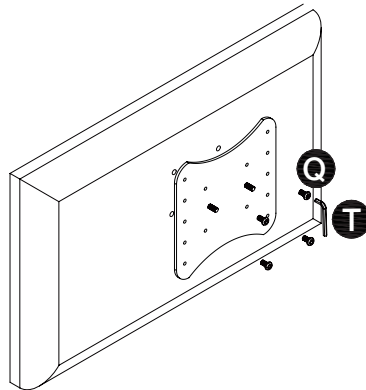
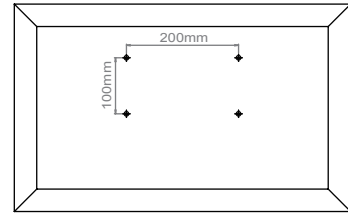
For these mounting hole positions, use the TV mounting bracket. You may need to try one or two different fixing positions to get the TV aligned in the best position. Usually, bottom of TV should be level with top lip of the footboard.

Fit bracket to TV first making sure it is level. Use screws supplied with TV or from TV installation kit in main hardware pack.

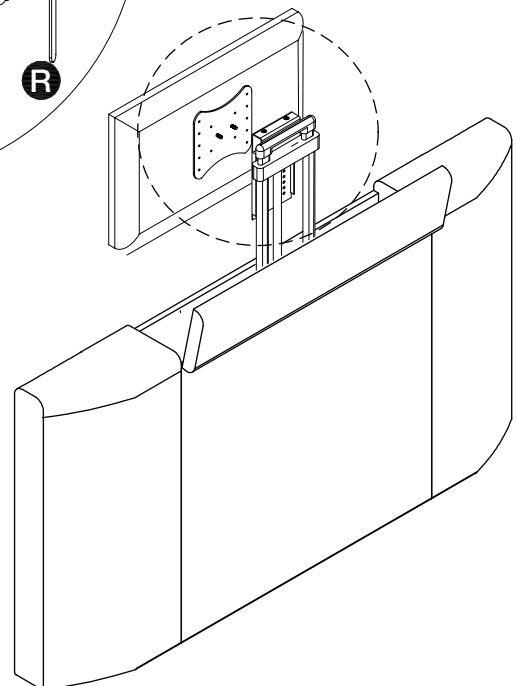
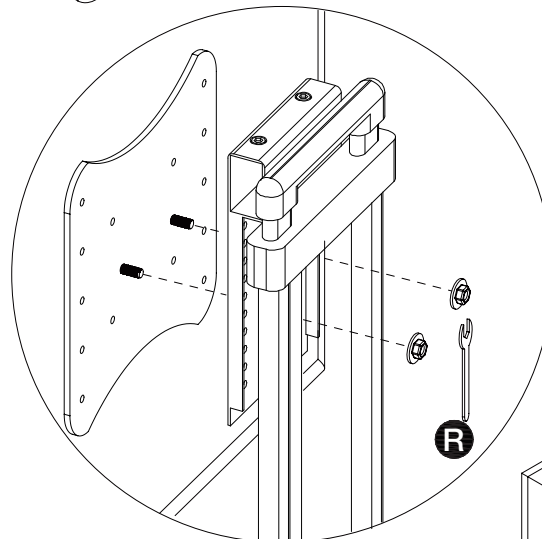
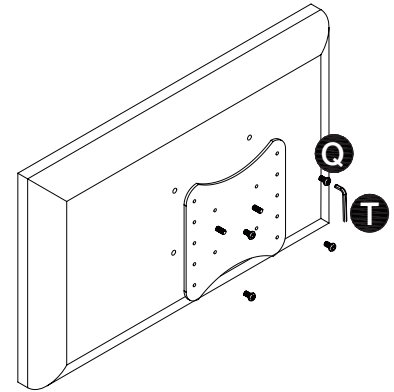
If your TV has special screws/spacers but none are supplied with your TV, please contact your retailer or source from a hardware shop separately.



or



or

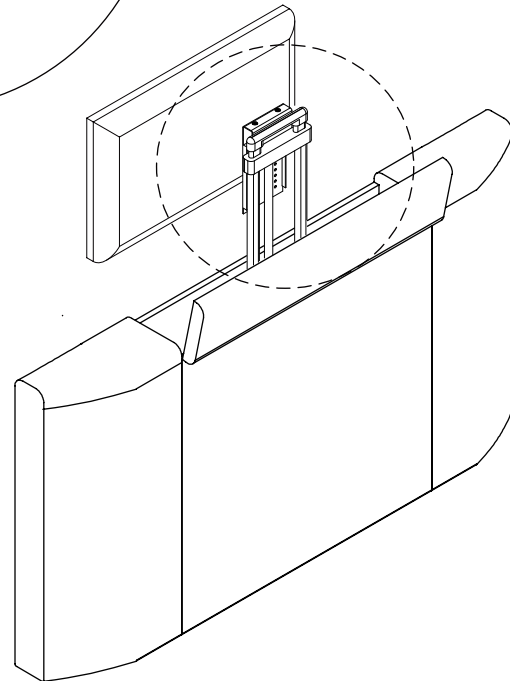
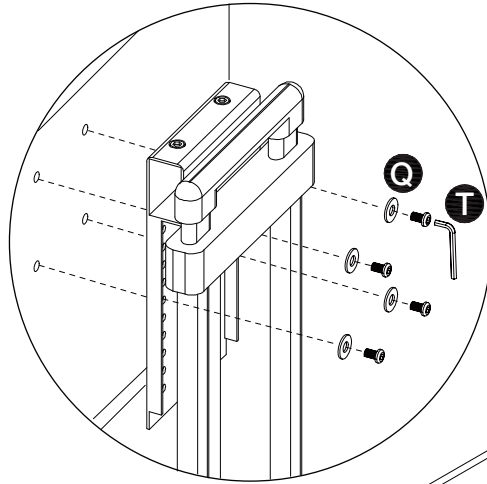
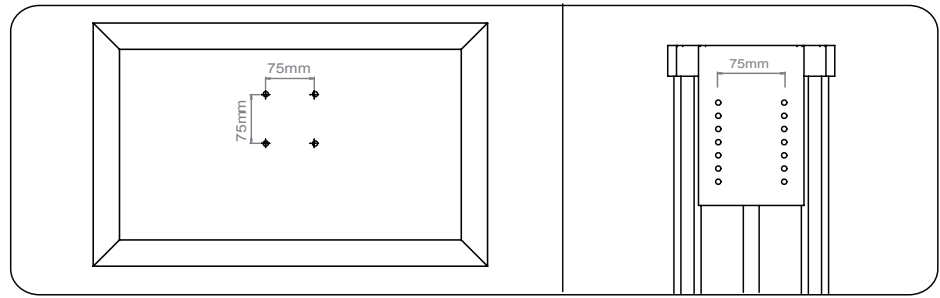


Assembly Instructions

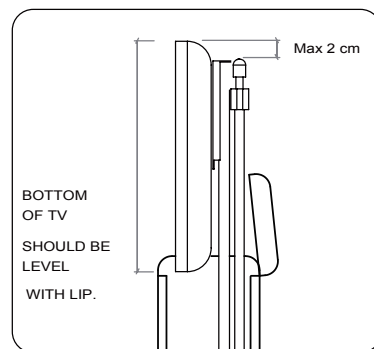
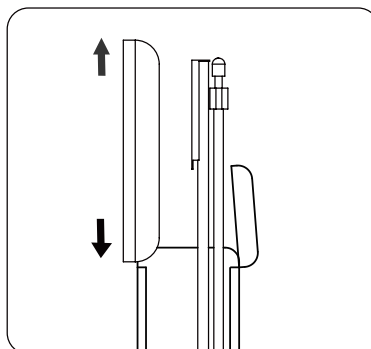
Step 8

Fitting TV with Vesa mounting holes at 75x75mm

For these mounting hole positions - remove bracket (x) & fit TV directly to column bracket (y).



Make sure TV is never more than 2cm above top of palm pressing handle or the lid cannot close properly.

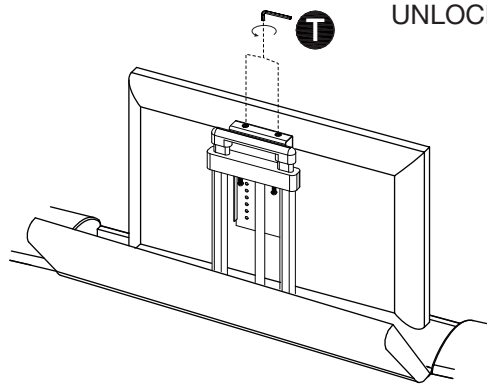
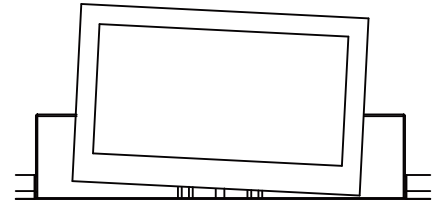
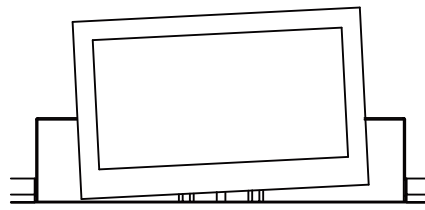


Assembly Instructions

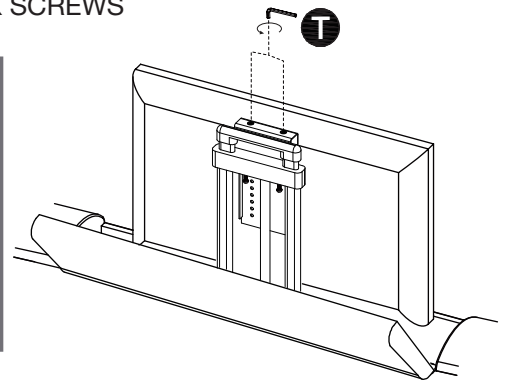
Step 9

TV Levelling Adjustment

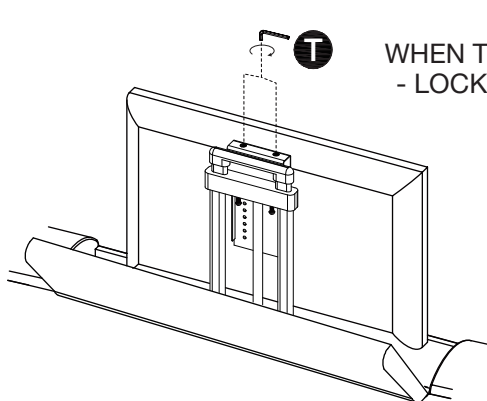
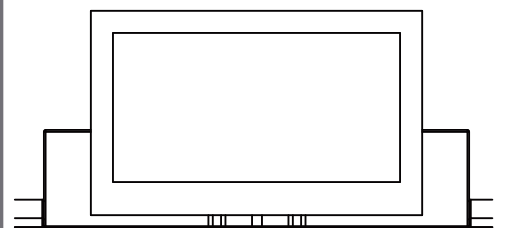
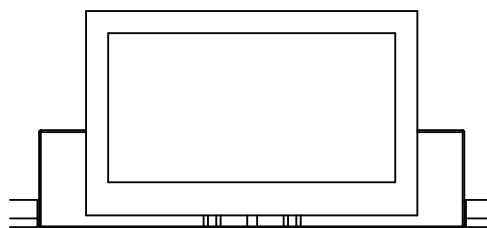
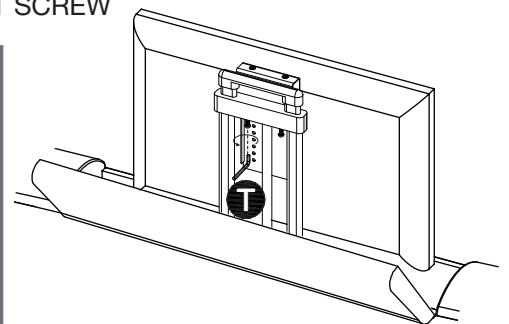
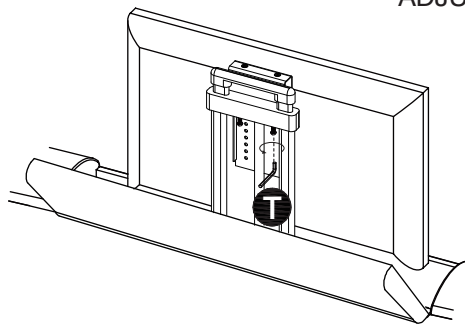
TV bracket is levelled during manufacture - if you need to level it again, follow this method.



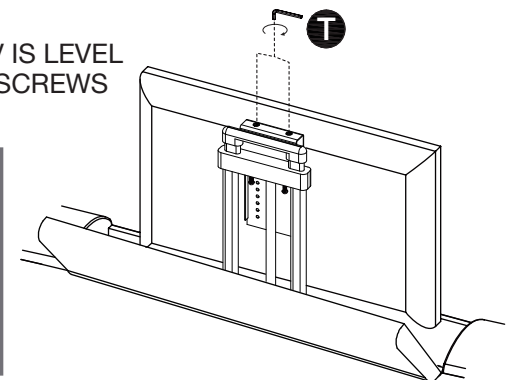
UNLOCK SCREWS



ADJUST SCREW



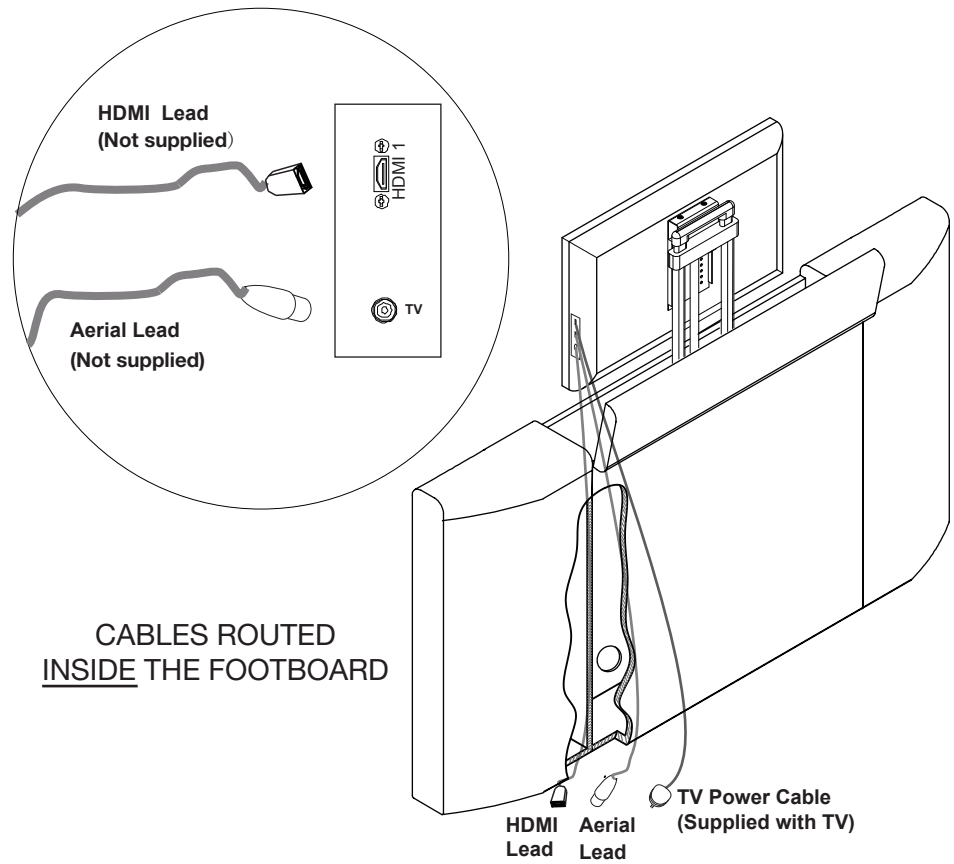
WHEN TV IS LEVEL
- LOCK SCREWS



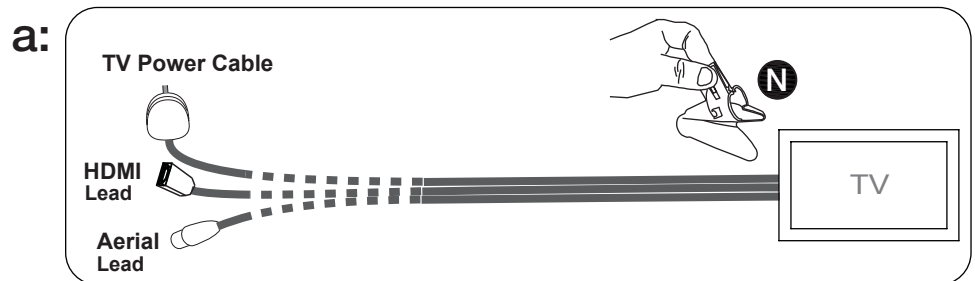
Assembly Instructions

Step 10

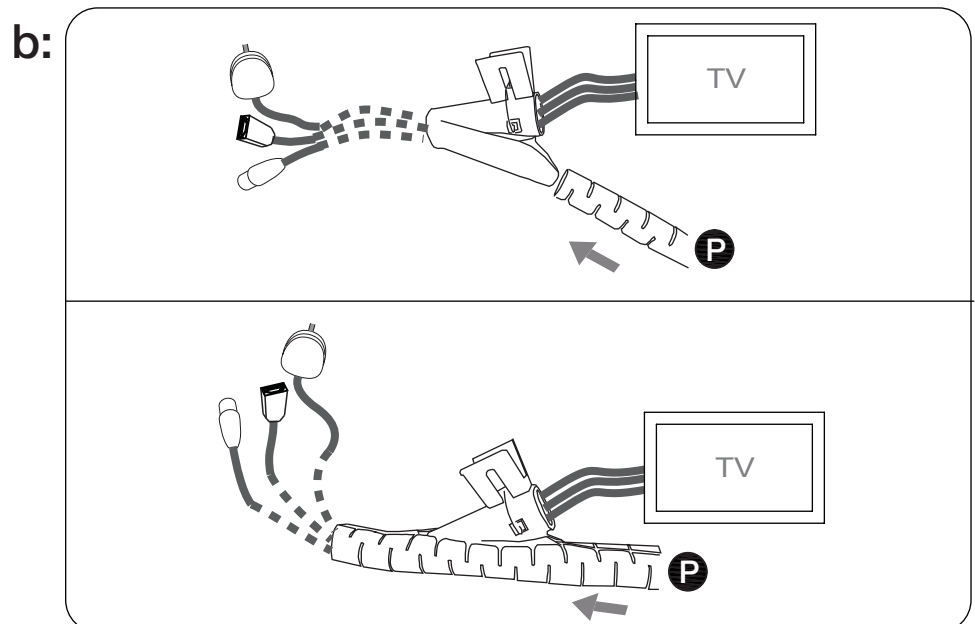
Fitting Cables



a: Place the cable manager clip **N** over the cable, as close to the TV as possible.



b: Carefully feed cable management tube **P** in the direction shown. Hold clip firmly in place.



Assembly Instructions

Step 11

Connect Power Lead

Connect the power lead plug **8** into the socket located at the bottom of the footboard **2** then connect to your wall socket.

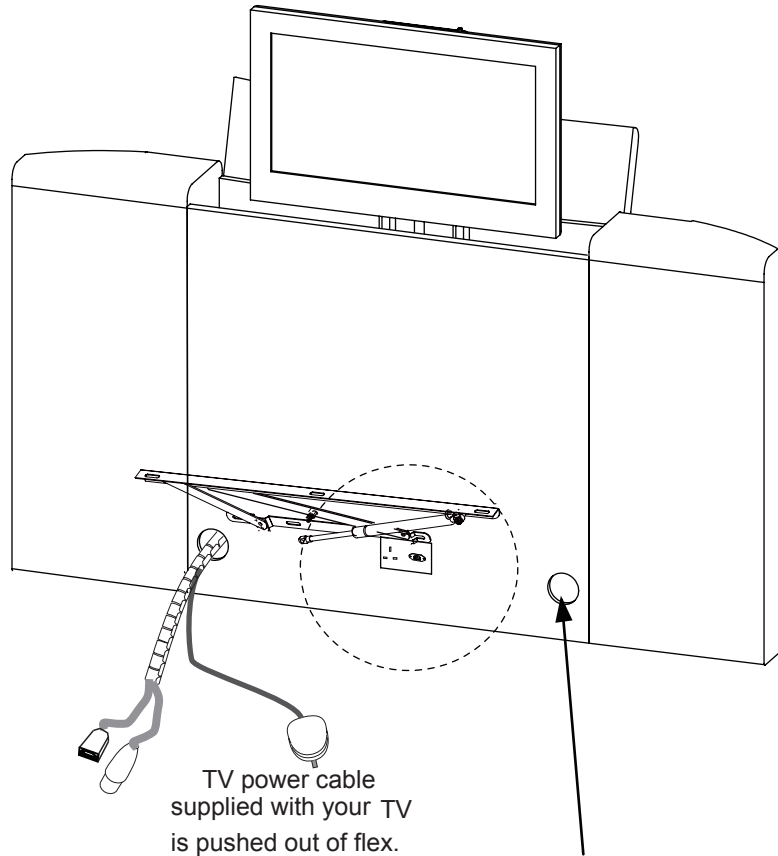
Note: The plug is earthed and the wall socket must be earthed too.

The mains power socket must be easy to reach if you need to disconnect the power for any reason.

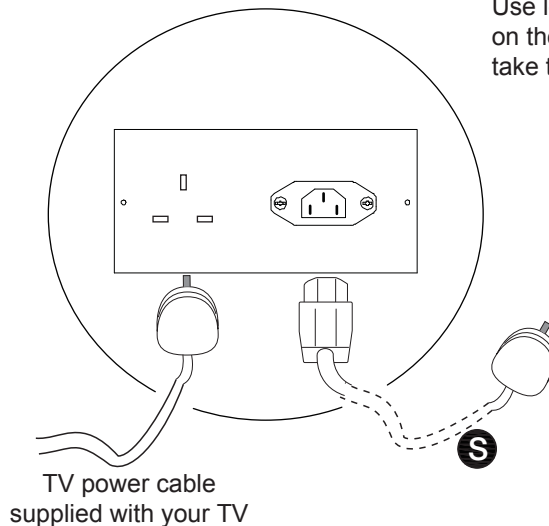
Connect the cables to the television & media equipment making sure the cables are not loose. If necessary use cable ties & cable clips to route cables safely (**L** and **M**). The television can now be operated following the TV Operation Manual.

To lower the television back into the footboard, push TV lift right down until it locks - note when TV is fitted, it is easier to push due to balance of the weight.

When down, power for TV turns off automatically. When TV is raised, power turns back on automatically.



Use left or right duct, depending on the ports that are on your TV - take the shortest route.

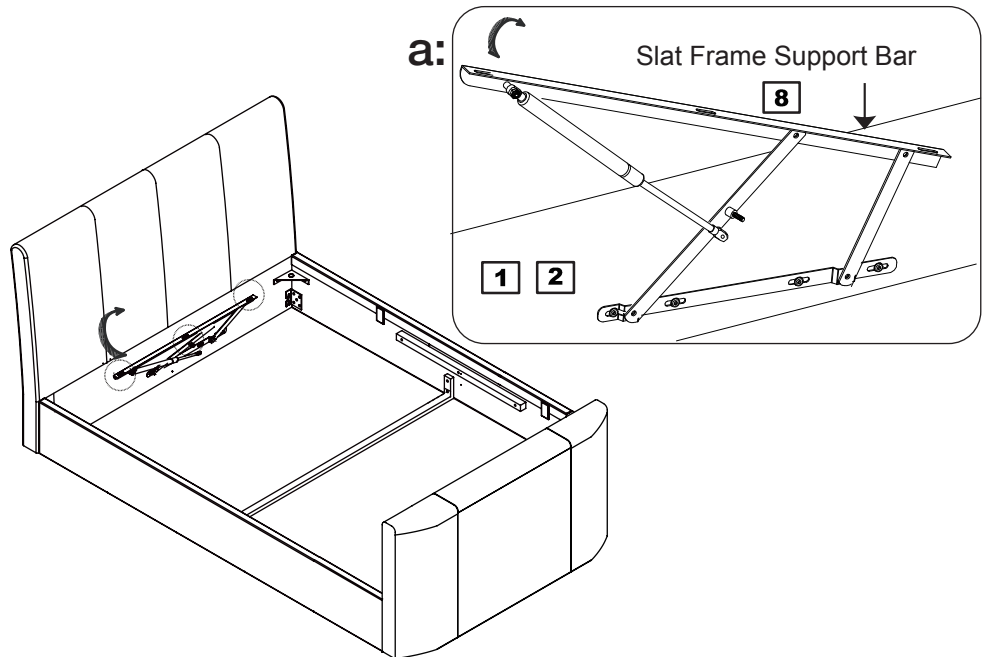


Assembly Instructions

Step 12

Fitting Ottoman Frame

a: Keeping your hands clear of the folding mechanism, carefully raise hinge mechanisms **8** to the upright position.



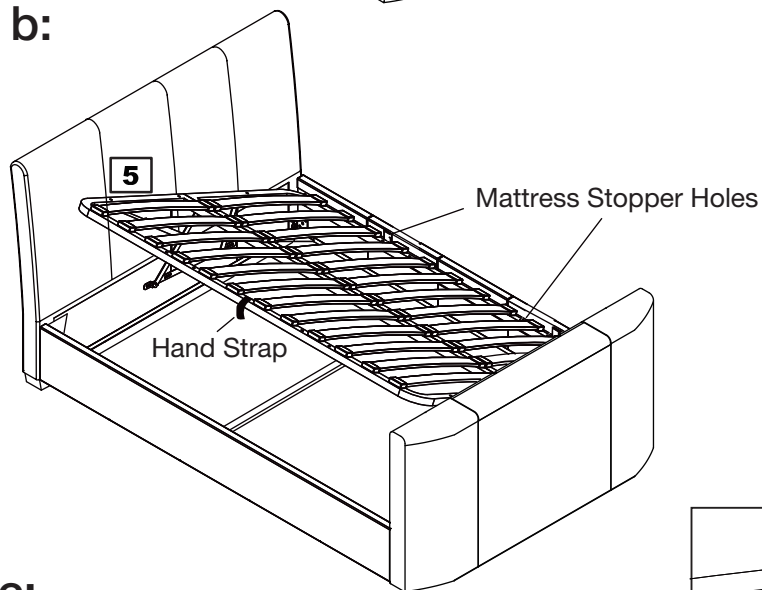
b: With help, carefully lift ottoman frame **5** into position.

Note: Make sure the holes for mattress stoppers and the fabric hand strap are on correct side as shown.

⚠ Warning:

The ottoman frame is heavy. Lift with care.

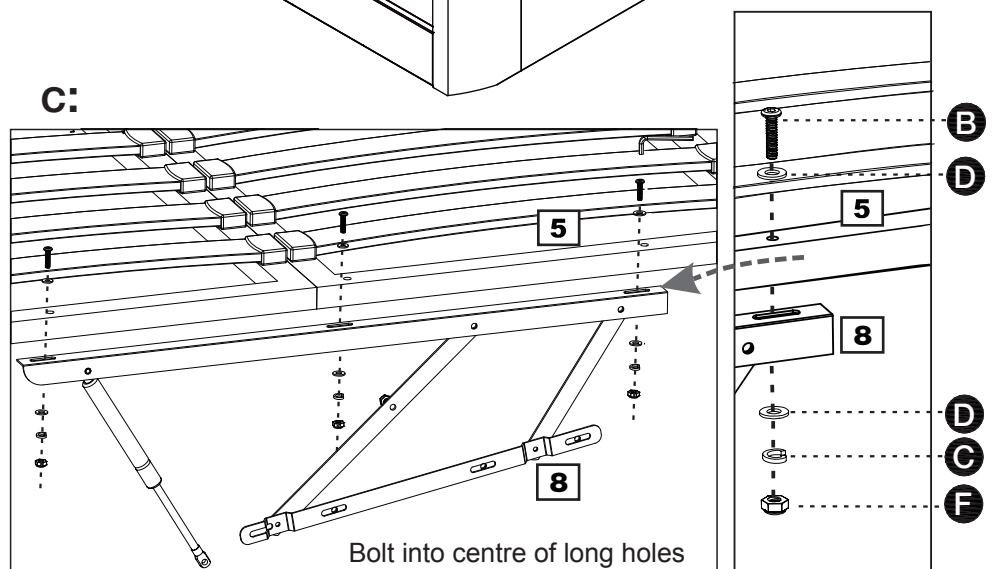
b:



c: Secure ottoman frame **5** using fixings **B** **C** **D** and **F** as shown.

Note: Do not tighten fully at this stage.

c:



Assembly Instructions

Step 13

Fitting Ottoman Frame

a: With help, carefully lower the frame down.

Make sure there is an even gap all round of about 10mm, as in the sketch.

Hold frame then fully tighten all fixings using spanner **G** and Allen key **E**.

b: With help, raise the frame to the upright position as shown.

Connect the loose end of the lift pistons to the hinge mechanisms **B** and secure using nuts **H**.

Tighten nuts with spanner **G**.

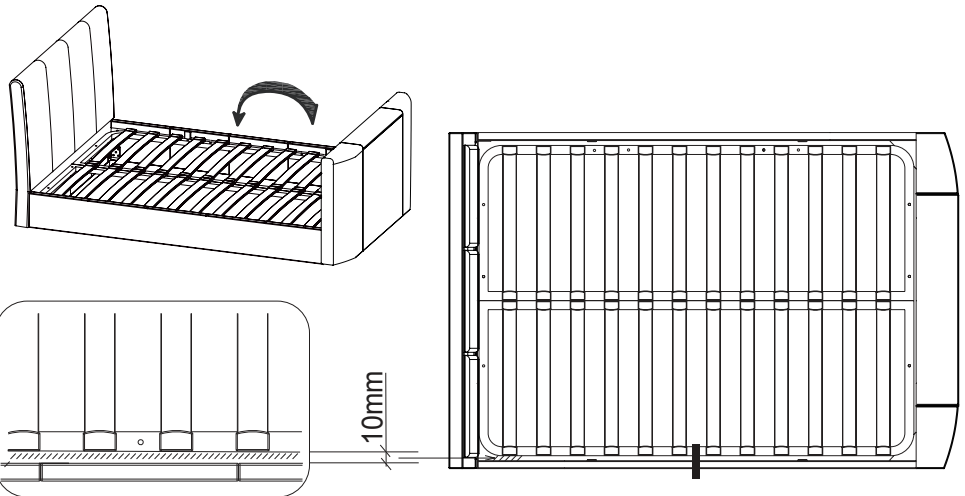
Note: Do not over-tighten. A small gap is left so the pistons can move freely - this is normal, see the sketch opposite.

⚠ Warning:

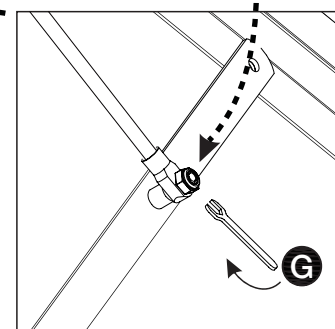
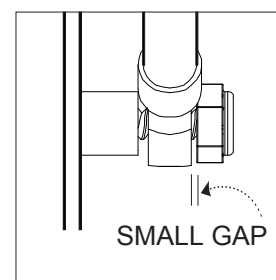
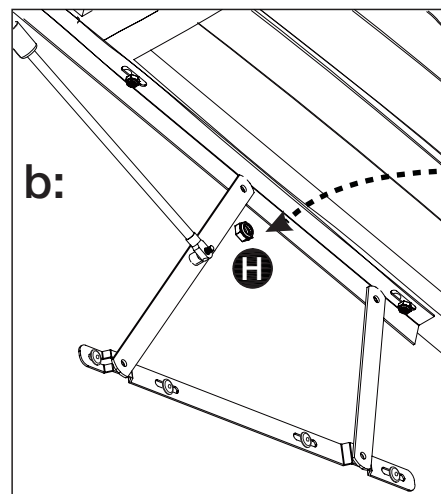
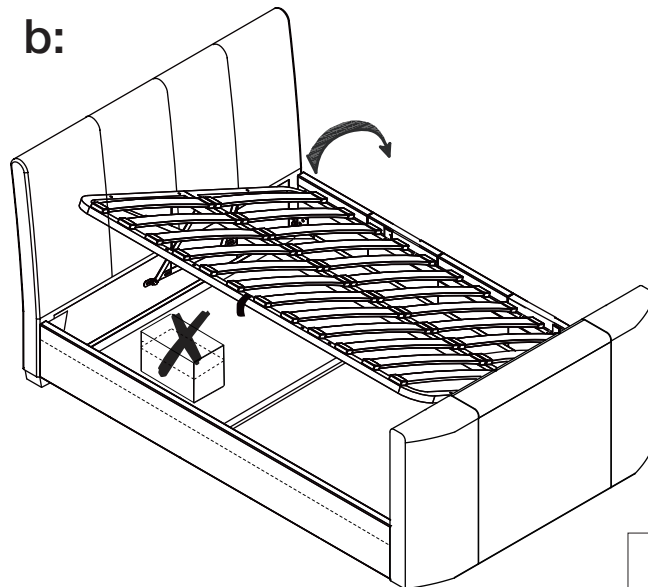
Ensure the metal frame is either held down, or heavily weighted down, to avoid accidental lifting without the mattress in position.

Note: Be very careful what you store under the bed - the top of an item, like a suitcase or a box, must not touch the slats or they shall be damaged. Maximum storage height is 245mm.

a:



b:



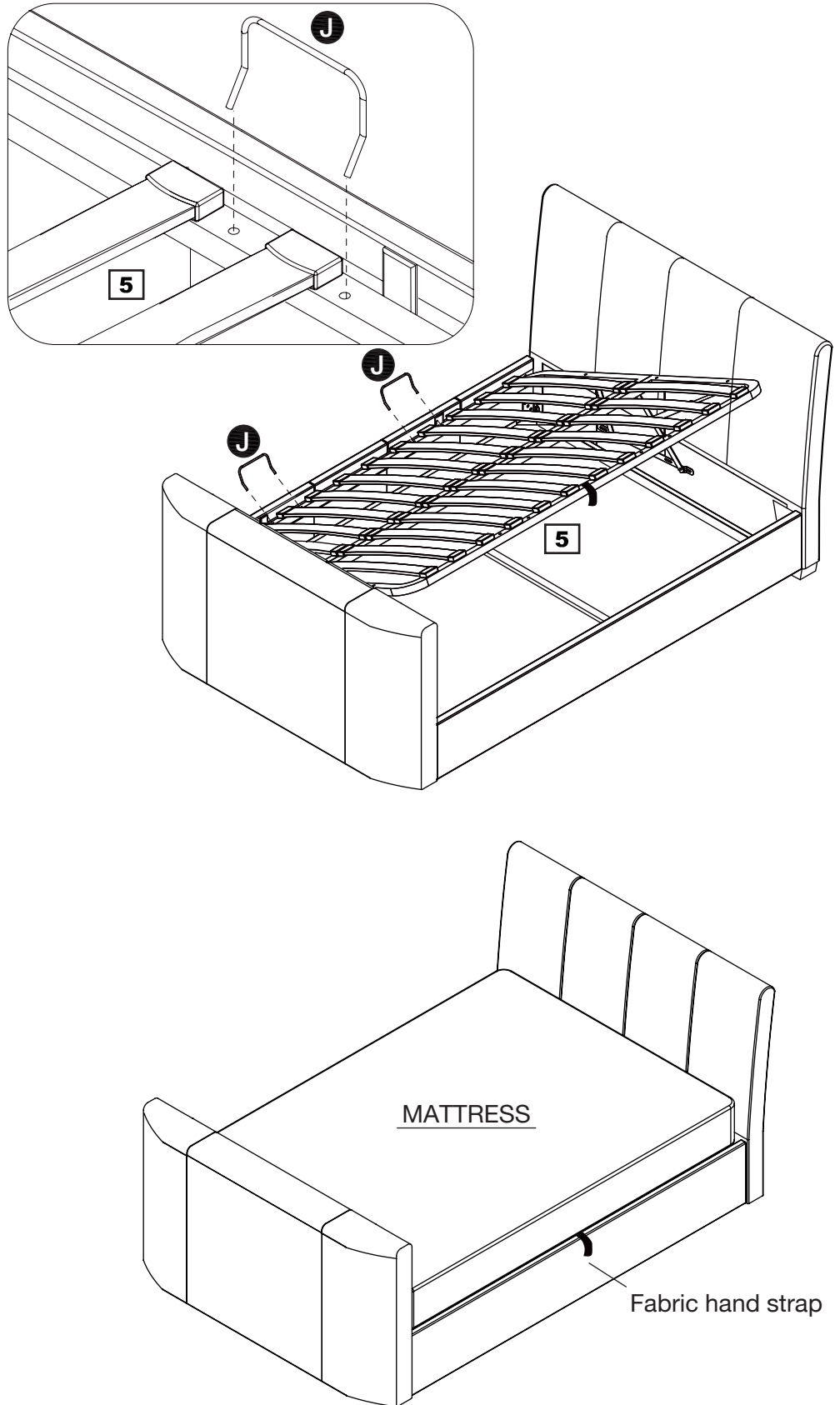
Assembly Instructions

Step 14

Fitting Ottoman Frame

Locate mattress stoppers **J** into the holes in ottoman frame **5**.

Note: Place mattress on slats then slowly push down the metal frame ensuring the edges are aligned with the side rails. Depending on the weight of the mattress, the speed of the lift will vary so be careful until you get used to the speed. Always use the fabric handle to lift or lower the frame - keep fingers well away from the moving parts.



Assembly is complete.

If you need help or have damaged or missing parts, call the **Customer Helpline: 0345 6400 800**
Home Retail Group, 489-499 Avebury Boulevard, Saxon Gate West, Central Milton Keynes, MK9 2NW