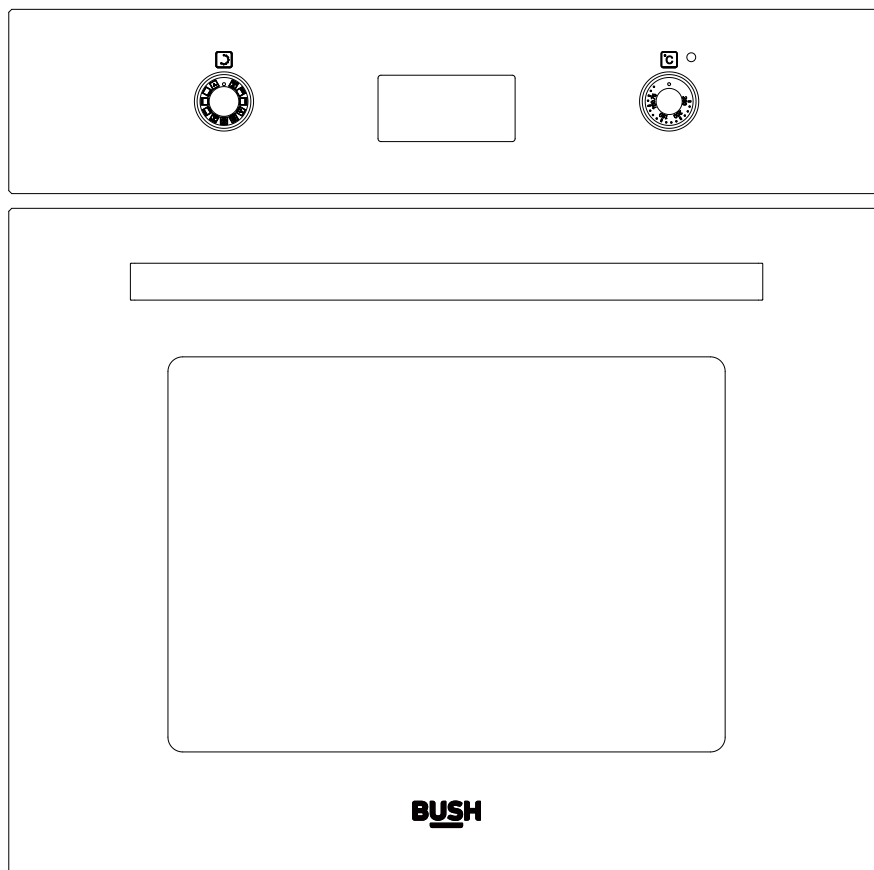


BUSH Built-in Ovens

Installation & User Instructions - Please keep for future reference

Cat no	Model
4967589	BUSH BSOPT60X INOX
4769268	BUSH BSOPT60B BLACK



Cooker serial number *place sticker here*

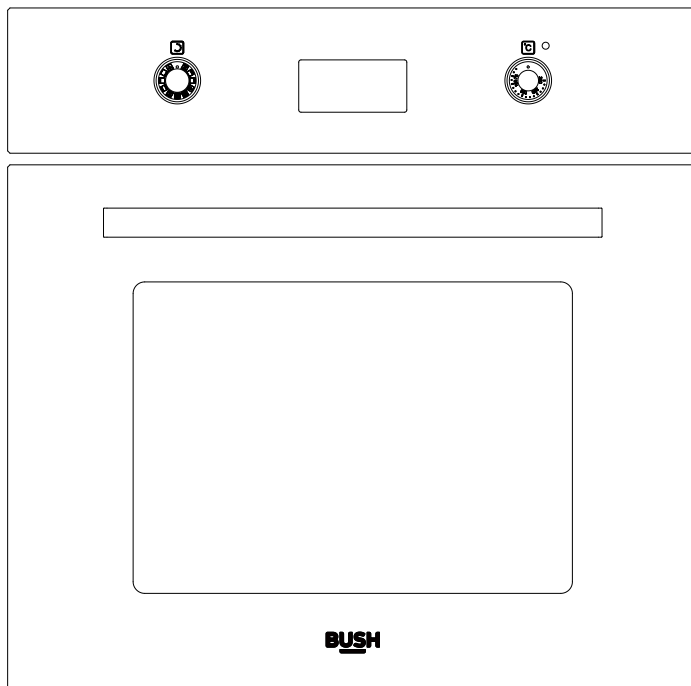
Important – Please read these instructions fully before installing or using

These instructions contain important information which will help you get the best from your appliance and ensure safe and correct installation, use and maintenance.

If you need help or have damaged or missing parts, call **Argos Product Support 01759 487838**

Contents

Safety Information	2-3
Parts	4
Installation	5-6
Electrical connection	6
User Instructions	7-10
Using the oven	7-8
Using the grill	9
Programmable Timer	10-13
Cleaning and Maintenance	14
Troubleshooting	15
Technical Specifications	16
Disposal information	16
Guarantee	17



Place Registration
and warranty label, here





Important – Please read these instructions fully before installation

INSTALLATION WARNINGS

IMPORTANT: Carefully unpack and examine the appliance for any damage. If you think there is a defect, do not use the appliance and contact Argos Product Support on **01759 487838**. Packaging materials should be collected together and disposed of immediately as they may be harmful to children.

IMPORTANT: Keep the electrical cable (not supplied) of your cooker away from the hot areas of your cooker; do not let the cable touch the appliance. Keep the cable away from sharp edges and heated surfaces.

IMPORTANT: Ensure that the electric supply cable is not trapped or damaged during installation.

IMPORTANT: In the event that the cable connecting your cooker becomes damaged, it must be replaced by a suitably qualified person. **This cable must not be replaced by an unauthorised person.**

IMPORTANT: Protect your cooker against atmospheric effects. Do not expose your cooker to effects such as sun, rain, snow etc.

IMPORTANT: The materials surrounding the appliance (cabinets) must be able to withstand a minimum temperature of 100°C

IMPORTANT: When using your oven for the first time your oven may give off an unusual odour and smoking may be evident from the heating elements and insulation materials. This is normal for new cookers. To eliminate this odour run the oven at 250 degrees for 40-60 mins with the oven empty.

DURING USAGE

IMPORTANT: Children and persons with reduced physical, sensory or mental capabilities or lack of experience and knowledge should not be allowed to use the cooker unless supervised and warned of the hazards involved

WARNING: The appliance and its accessible parts become hot during use. Care should be taken to avoid touching hot parts.

WARNING: NEVER try to extinguish a cooking fire with water. Instead switch off the appliance and cover flame e.g. with a lid or a fire blanket.

CAUTION: Do not allow children in the kitchen when cooking or while cooker parts may still be hot. Many parts of the cooker will become hot and present a considerable hazard to children.

CAUTION: When the oven is hot never touch the oven glass by hand or with tools.

CAUTION: Before starting to use your appliance, ensure curtains, paper or flammable items are kept away from your appliance. Do not keep flammable materials inside of or around your cooker.

CAUTION: Take care when closing the oven door that there is nothing obstructing it from closing as this may break the glass door.

IMPORTANT: When using the grill the oven door must be kept closed.



Important – Please read these instructions fully before installation

IMPORTANT: Make sure the cooker control knobs are all in the off position when not in use

IMPORTANT: If you do not intend to use your cooker for a long period of time turn off the electric supply to the cooker

CAUTION: Using gas cooking appliances results in the production of heat, moisture and the products of combustion. Ensure that the room where your cooker is installed is well ventilated particularly while the cooker is in use. Keep natural ventilation holes open or install a mechanical ventilation device (extractor hood) Prolonged intensive use of your cooker may call for additional ventilation (by opening a window) or by increasing the level of mechanical ventilation where present.

GENERAL SAFETY WARNINGS

IMPORTANT: This appliance has been designed for non-professional, domestic use only. Do not use this cooker for commercial use or any other application e.g. room heating

WARNING: Danger of fire: do not store flammable items on or near the cooking surfaces or inside the oven.

IMPORTANT: Do not try to lift or move this cooker by pulling on the door handle

WARNING: Ensure that the appliance is switched off before replacing the lamp to avoid the possibility of electric shock.

IMPORTANT: Your appliance is produced in accordance with all applicable local and international standards and regulations.

IMPORTANT: Maintenance and repair work must only be performed by authorized service technicians.

Installation and repair work that is carried out by unauthorised technicians is dangerous and could invalidate your guarantee

IMPORTANT: When the door of the oven is open, do not hang or lean anything on it. You may unbalance your appliance or damage the door or door hinges.

IMPORTANT: Do not hang towels, dishcloths or clothes from the cooker or its handles.

CLEANING AND MAINTENANCE

IMPORTANT: Always turn the appliance off before operations such as cleaning or maintenance. You can do this by switching the cooker off using cooker isolation switch.

IMPORTANT: Do not remove the control knobs to clean the control panel.

When you have finished cooking check that all controls are in the OFF position.

-Please check your electrical installation is earthed. This appliance must be installed by a qualified engineer.

- **This appliance must be fitted with a min 16 A Fuse.**

-Please ensure that plug of your oven is not accidentally pulled or stretched beyond the extent of the power cord. If this appliance is installed without proper earthing the manufacturer does not accept any responsibility for any damage caused. Commissioning of this appliance should only be attempted by an Authorised competent person. Connection of this appliance must be via a cable that is 3 x 2.5 mm²

- For isolation safety the length of the power cord must not exceed 2 meters.

- Connection diagram can be found on the rear of the appliance

- **Please reset the timer when in the event of a power failure. The oven will not operate until the timer is properly set.**

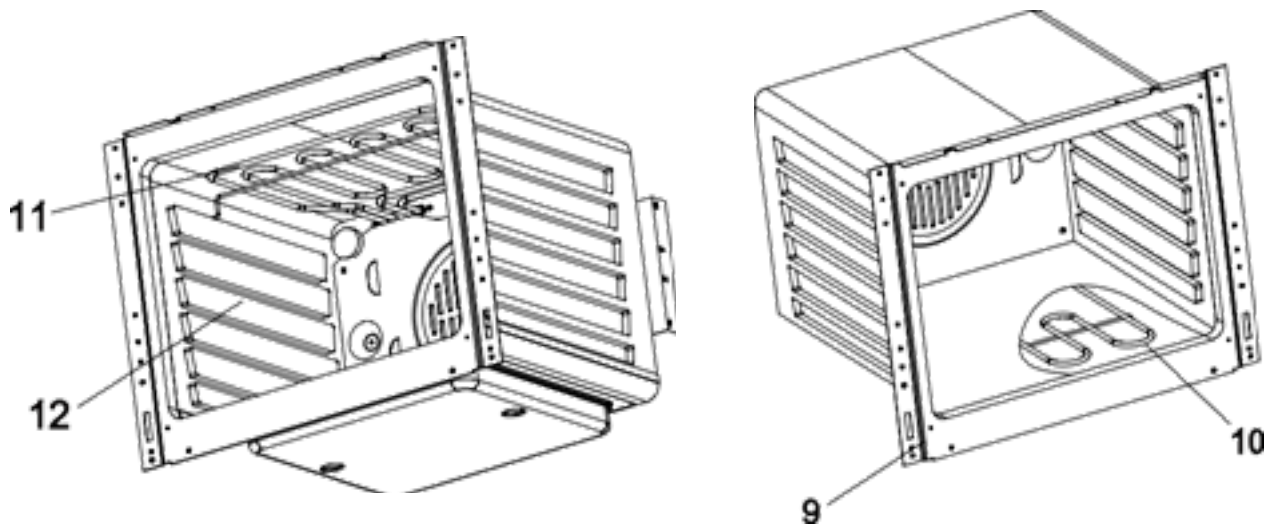
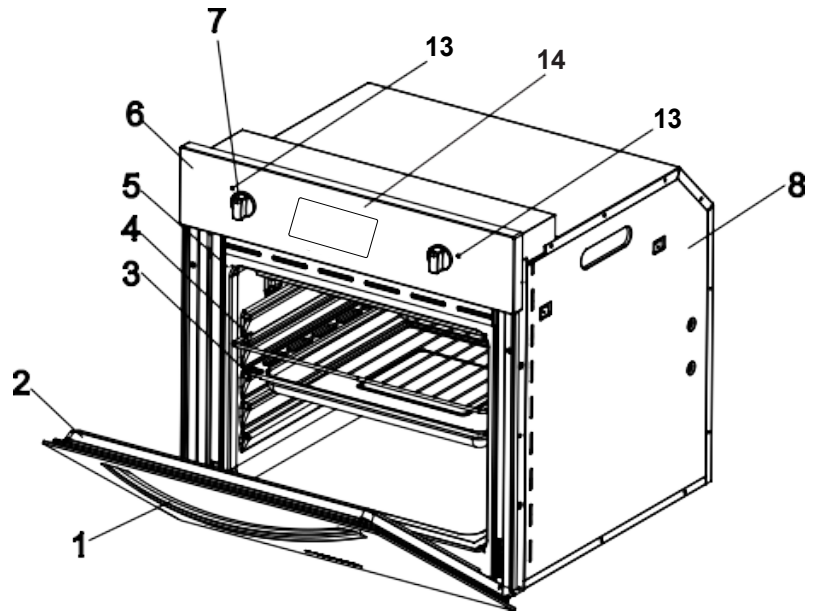
Parts

If you have damaged or missing parts,
call **Argos Product Support 01759 487838**

Please familiarise yourself with the parts and accessories listed below

SECTION 1 TECHNICAL FEATURES of OVEN

1. Oven Handle
2. Oven Glassdoor
3. Tray
4. Grid
5. Oven Gasket
6. Control Panel
7. Control Knob
8. Side Panel
9. Inner Body
10. Lower Element
11. Upper Element
12. Indicator Light
13. Signal Lamp
14. Timer

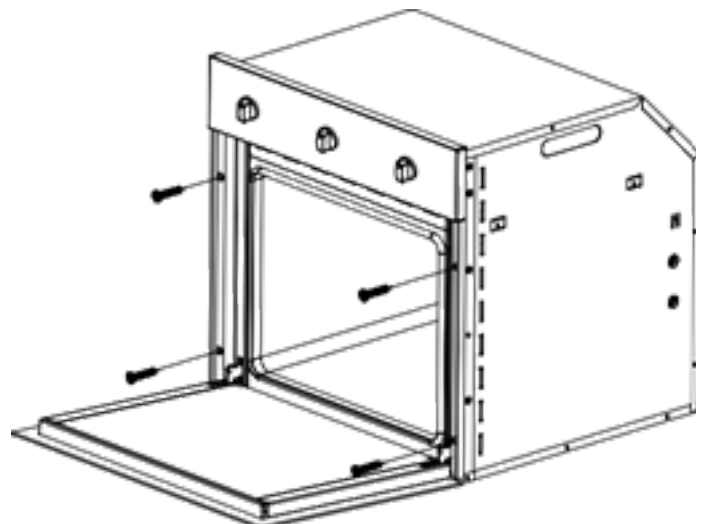
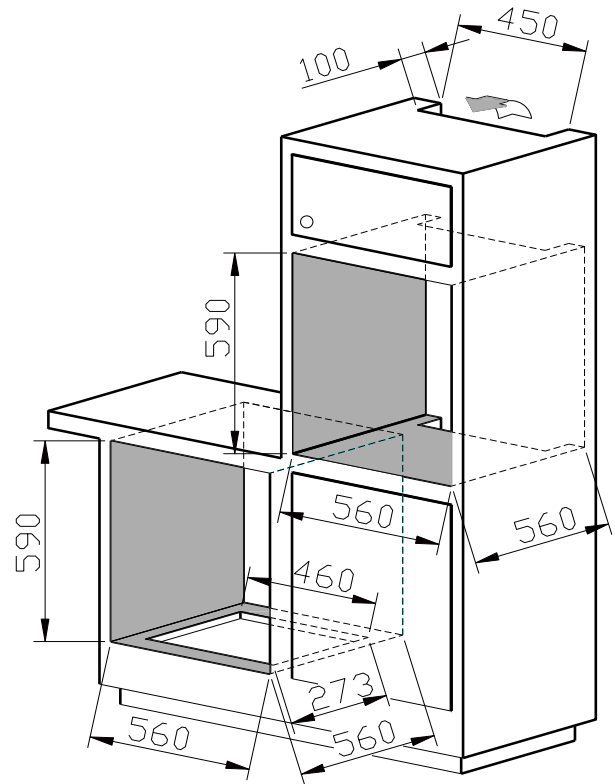


Installation

Positioning

The furniture close to the cooker must be manufactured resistant to temperatures up to 100°C

- Dimensions and materials of cabinet must be suitable and capable of withstanding heat radiation from oven.
 - Correct Installation - Cabinet should not come into contact with any of the ovens electrical parts.
- Isolation materials or parts that used for isolation must affix strongly to prevent taking out by any tool.
- It is not recommend you to install your appliance near refrigerator or freezer.
 - If a hob is installed with your oven, all electrical cables of cooker and oven must be separate.
 - Install your appliance in a position that allows access to power cable.
 - Do not place power cable to close or in contact with hot surfaces. Do not attach the cable to the oven door.



Electrical Connection

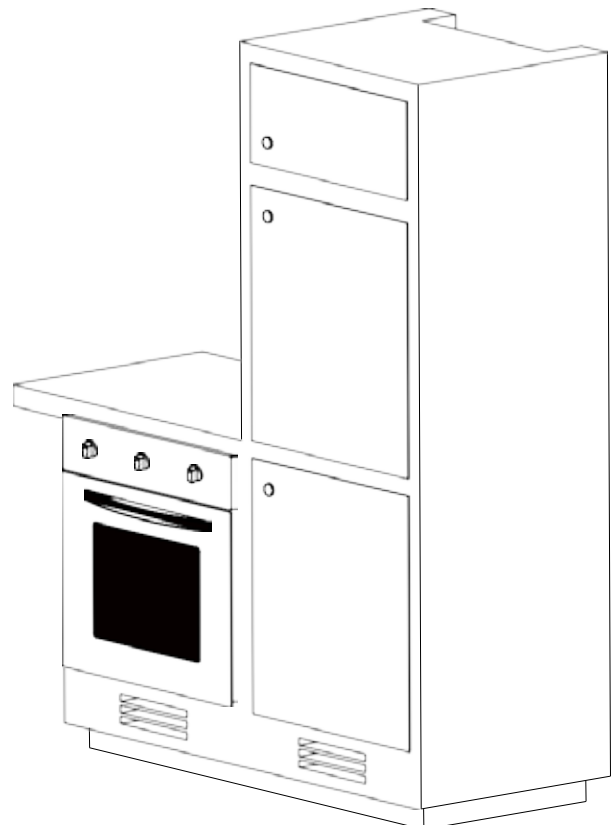
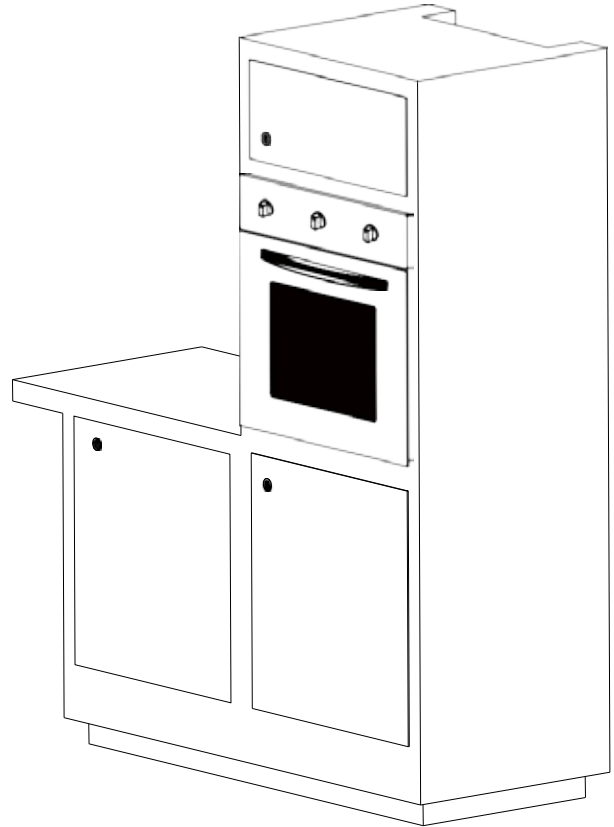


IMPORTANT:

Electrical connections must be carried out by a suitably qualified person and in accordance with all relevant local building and installation regulations.

1. See the rating label at the rear of the product for the appliance's load rating.
2. The cooker must be connected to a circuit suitably rated for the load of the appliance (see rating label at rear of appliance)
3. The electrical cable should not touch the hot parts of the appliance.

The electrical cable should not be routed through any area that may be affected by heat from the oven, especially the area directly behind the oven.



Using the oven

INTRODUCTION of CONTROL PANEL

Front panels and control knobs for Built-In Oven models are at Figure 7. The Knobs control power and setting of each heating element. Turn Knobs clockwise to activate oven and set at required cooking temperature. Turn Knob anti-clockwise to decrease cooking temperature and to deactivate oven.

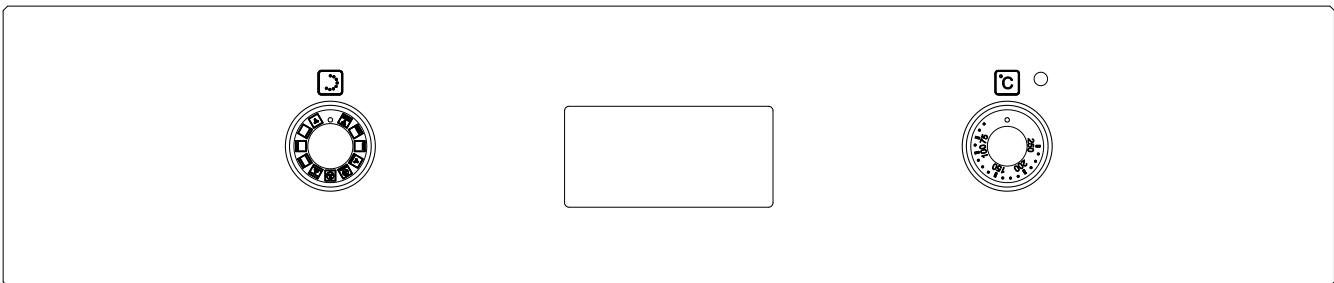


Figure 7.

Functions

Digital Timer

Thermostat Control

Thermostatic Control of Oven












The indicator lamp will switch on together with the thermostat. When the heat inside the oven reaches the set value, the thermostat cuts the circuit and the lamp will go off. When the heat falls below set value, the thermostat will switch on again and indicator lamp will be lit.

Usage of Oven

For initial operation of your oven, a smell arising from insulation materials and heating elements will be generated. To help avoid it, operate your oven at 250 C for 45 minutes without putting any trays in oven.

Using the oven

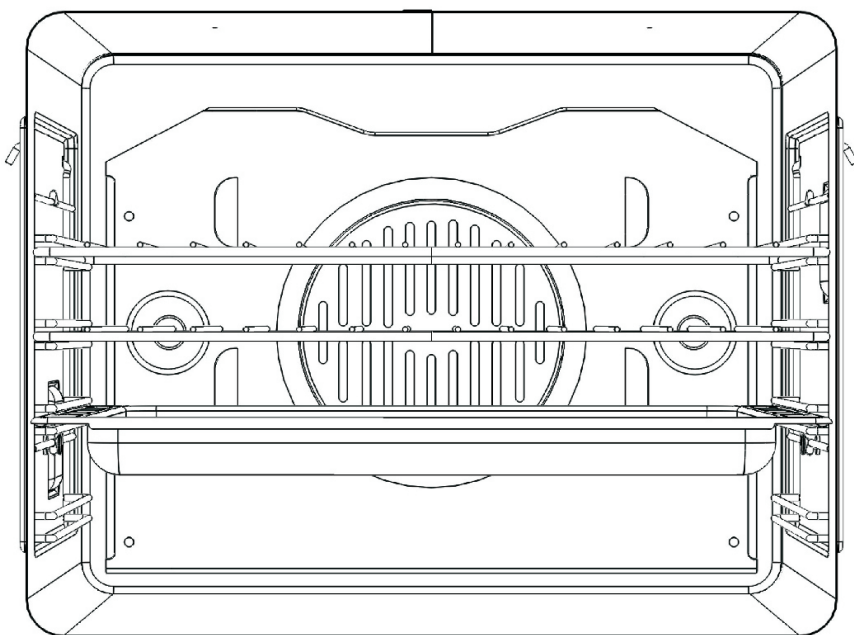
OVEN FUNCTIONS:

LEVEL	FUNCTION	DESCRIPTION
0	Close	Oven is not working
	Oven Lamp Double Grill	Outer Heating Element and Grill Heating Element works together. Recommends to use for big and powerfull grill.
	Oven Lamp Grill Heating Element	Oven Lamp and Grill heater works. Recommend to use for frying. Thermostat must be at maximum position.
	Oven Lamp Top&Bottom Heating Elements	Hot air comes from up and down heats the tray from both side. Top and bottom sides of meals cooked equally.
	Oven Lamp Grill Heating Element Turbo Fan	Oven Lamp, Grill heater and Turbo Fan work together. Recommend to use for frying. Thermostat must be at maximum position.
	Oven Lamp Double Grill Turbo Fan	Oven Lamp, Double Grill and Turbo Fan work together. Recommend to use for frying. Thermostat must be at maximum position.
	Oven Lamp Turbo Heating Element Turbo Fan	Oven Lamp, Turbo Fan and Turbo Heating Element work. Recommend to use fast cooking.
	Oven Lamp Turbo Heating Element Turbo Fan, Bottom Heating Element	Oven Lamp, turbo heating element, turbo fan and bottom heating element work together. Recommended to use for pizza.
	Oven Lamp Turbo Fan	Only Oven Lamp and Turbo Fan work. Recommend to use for defrosting.
	Bottom Heating Element	Bottom heating element, Recommended to use cake and bread.
	Top Heating Element	Top Heating Element for keeping cooked food warm or gently reheating.
	Oven Lamp Top&Bottom Heating Elements Turbo Fan	Hot air comes from up and down heats the tray from both side. Top and bottom sides of meals cooked equally with Turbo Fan.

Using the oven

WARNING

To ensure the oven shelves operate safely, correct placement of the shelves A between the side rails B (positions 1, 2, 3, 4) is important. This will ensure that during careful removal of the shelf or tray C, hot food items should not slide out.



Using the grill

Grill Function of Oven - Closed Door Grilling

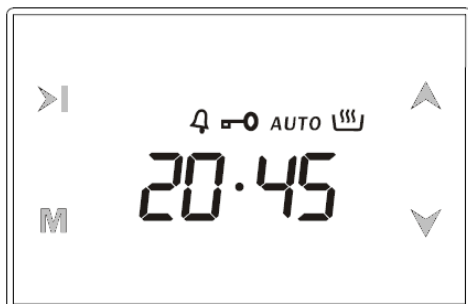
Turn the oven control knob to position



- We advise you to use trivet shelf placed into grill tray when you are grilling. This will help avoid spills and help keep your oven clean
- If you decide use grill wire on shelf rather than placing in tray, position a tray below to collect oils. For easy cleaning, put some water in tray.
- Preheat grill with door closed position for 5-10 minutes before use.
- Always pre-heat grill before use and **grill with door closed**

Using the timer

Electronic timer, which enables your oven to get the food ready to serve at the desired time. The only thing to be done is to program the cooking time and ready time. It can also be used as an alarm clock, where you just give in the amount of time after which it should remind you by a buzzer tone.



POWER UP:

Upon power up, flashing digits and AUTO icon, the oven is inoperative. Press M to return to manual mode and adjust the time of day using up and down buttons.

MANUAL MODE

POWER UP: Upon power up, flashing digits and AUTO icon, the oven is inoperative. Press M to return to manual mode and adjust the time of day using up and down buttons.

MANUAL MODE



Touching **>I** and **M** at the same time, manual mode is entered. Any previous cooking program will be cancelled.

ADJUSTING TIME OF DAY

Time of day adjustment is only allowed, when no cooking program is in progress. First enter manual mode as described above. The point between the hours and minutes display flashes.



1) Switch into time adjustment mode.



2) Adjust the time using the **▲** or **▼** buttons.



3) After a few seconds, screen will stabilize.

BUZZER ALARM:

With this feature, you can program after how much elapsed time you should be warned by a buzzer sound.

Using the programmable timer (continued)



1) Touching **M** twice, enter buzzer alarm mode



2) Using **▲** or **▼** give in the duration in minutes



3) After a few seconds, screen will return to clock mode

CANCELLING THE BUZZER SOUND



After the programmed duration is elapsed, buzzer will sound. Any button touch will cancel the buzzer.

AUTOMATIC COOKING PROGRAM

If you want to start cooking immediately, you just have to give in the cooking time.

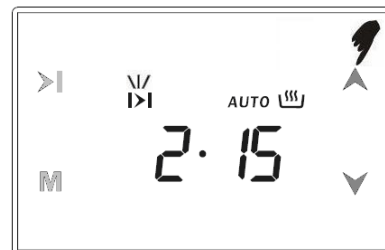
Example: We placed our food into the oven and want it to be cooked for 2 hours and 15 minutes



1) Current time is 18:30.



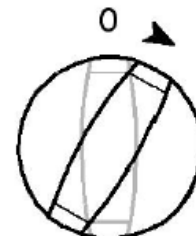
2) Switch into cooking time mode.



3) Adjust the cooking time using the **▲** or **▼** buttons.




Now, you have programmed your oven to cook the food for 2 hours and 15 minutes. Please do not forget to bring the function and/or temperature knobs of your oven to appropriate position.



4) After a few seconds, the screen will indicate that cooking has started and show the current time

Note: You may cancel the automatic cooking mode any time by go manual mode

Using the programmable timer (continued)

In the above example, cooking immediately started after giving in the cooking period. By pressing the  button, you can see the ready time, ie. The time when the food will be ready to serve, and if you want, you can also change it. In the example below, the ready time will be changed to 21:30.



1) Displayed is the ready time 18:30+2:15=20:45.



2) Set it to the desired time by using the + or – buttons.



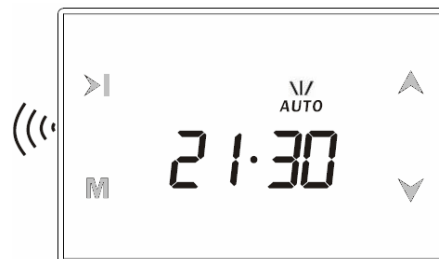
3) In a few seconds, screen switches to clock mode.

We now have programmed our oven to get the food ready at 21:30. Since the cooking time was preprogrammed as 2 hours 15 minutes, your oven will start cooking at 19:15, so that the food is ready at 21:30.

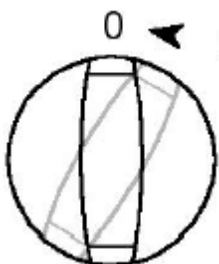
Screen just when cooking starts



Screen just when cooking ends



When automatic cooking is completed, a buzzer alarm is heard and will sound, if not stopped, for 7 minutes.



1) Switch your oven OFF



2) Reset the timer

Note: Your oven will be inoperative until you reset the timer.

In the example shown, cooking time has been programmed first the ready time was calculated automatically and was edited by us. It is also possible first to program the ready time, in that case the cooking time will be calculated automatically and should be edited thereafter.

Using the programmable timer (continued)

CHILD LOCK:

When activated in manual mode, your oven and the timer keys are blocked.
When activated as a cooking program is in progress, just the keys are blocked.



1) Touch ▲ and ▼ at the same time for 1 seconds until 2 beep tones heard.



2) The key symbol appears on the screen, child lock is active.

To deactivate the child lock, touch ▲ and ▼ until key symbol disappears.
Exception: A buzzer tone during child lock can be cancelled touching any button.

USER PROGRAMMABLE OPTIONS:

1- Time of day display 12h / 24h

Factory setting is 24 h display. Touching ►| for 5 seconds, a double beep tone will be heard, the display mode toggles to 12 h mode (am / pm indication) Doing this again will toggle back to 24 h

2- Touch tones

As a factory setting, touching buttons are accompanied by beep tones. Touching the **M** button for 5 seconds, a double beep tone will be heard and **nt**, which stays for no tone, will appear on the screen. Now, no touch tones will be produced any more. Doing the same until **bt** appears on the screen, which stays for button tone, brings you back to touch tones.

3- Screen Brightness Adjustment:

Touching ▲ button for 1 second, until you hear a double beep tone, brings you into the display brightness mode. Display shows br 0x (x = 1 to 8). Now every consecutive touch of the same button will reduce the brightness. There are 8 levels, thereafter the brightness starts to increase upon every touch. The same effect is also seen by holding this button touched. In 5 seconds after releasing the button, the brightness level is stored. Factory setting is maximum brightness.

4- Buzzer Tone Selection:

Touch ▼ button for 1 second, until you hear a double beep tone. Upon every touch of this button within 5 seconds, you will hear a different tone. There are 3 different tones available. The tone last heard will be stored in 5 seconds.

Note: Programmed options are nonvolatile. They will not be erased upon a power interrupt.

Cleaning

WARNING! Isolate the power supply to the cooker and make sure that the oven is cool.

Do not clean using caustic creams, abrasive cleaning powders, thick wire wool or hard tools. Enamelled parts of the oven can be damaged if excess cleaning liquids are not immediately removed.

After cleaning the interior parts of the oven with a soapy cloth, rinse it and then dry thoroughly with a soft cloth.

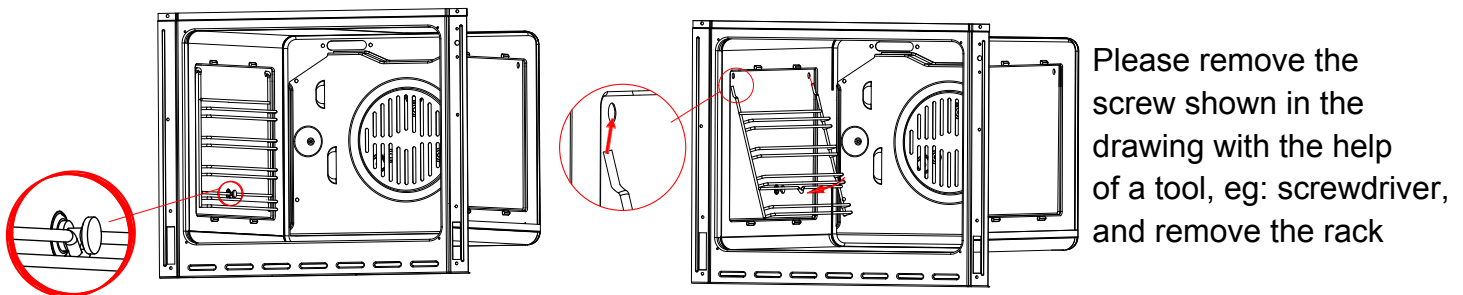
Clean the glass surfaces with special glass cleaning agents.

Never use flammable agents like acid, thinner or petrol when cleaning your oven.

Do not clean your oven with a steam cleaner.

Do not wash any part of your oven in a dishwasher.

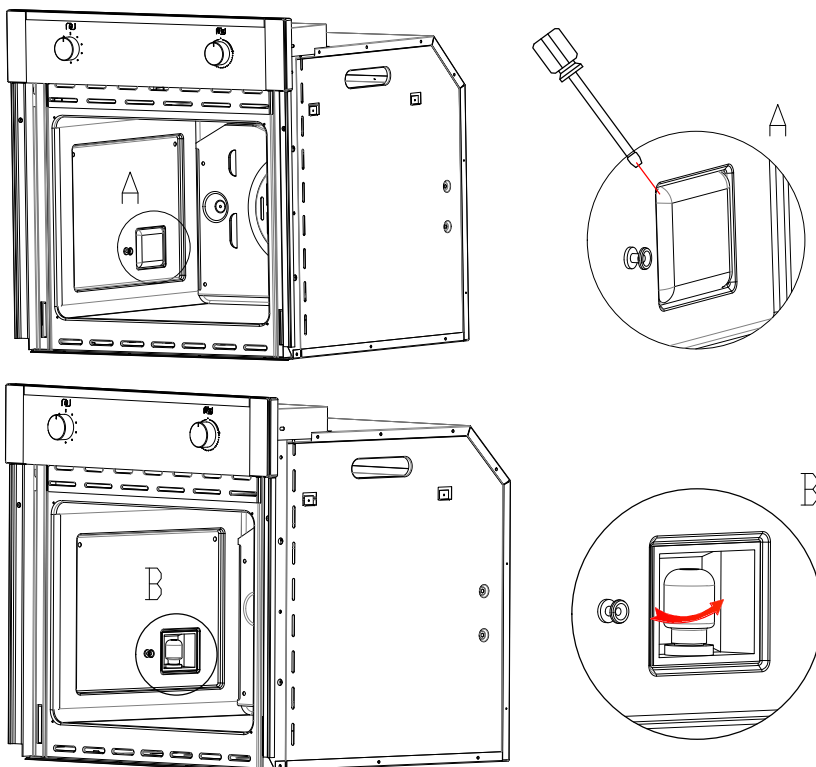
: [Illegible text]



Please remove the screw shown in the drawing with the help of a tool, eg: screwdriver, and remove the rack

: [Illegible text]

Remove the cap of the lamp with the help of a tool e.g.: screwdriver, and then remove the lamp by turning to the side shown in the drawing. Turn the oven off from the electric supply and make sure that the oven is cool. Replace the old bulb with a new bulb resistant to 300°C (230 V, 25 Watt, Type E14). Replace the lamp protective glass. Your oven is now ready for use.



Enamelled Parts:

Enamelled parts must only be cleaned with warm soapy water and then dried with a cloth. Do not wash them while hot and never use abrasive powders or abrasive cleaning materials. Do not leave anything spilled onto enamelled parts for long periods of time.

Stainless Steel:

Stainless steel parts must be cleaned frequently with warm soapy water and a soft sponge and then dried with a soft cloth. Do not use abrasive powders or abrasive cleaning materials. Do not leave anything spilled onto stainless steel parts for long periods of time.

Remove the glass front door by unscrewing the fixings using a screwdriver, remove the inside glass, clean and rinse it. After drying it replace the seal properly and re-install the glass

If your cooker does not appear to function correctly

Please do the following controls before calling authorised service



If oven doesn't heat;

Oven's plug may not be fitted into an earthed socket; your fuse may be blown; timer may not be adjusted (if the model has a timer)



If oven doesn't operate;

Please check that the switch knob is adjusted to one of the functions of the oven for multi-function models



Please check that thermostat control knob is adjusted.

FUSE

Please check the fuse oven is connected, and the main fuse, to make sure it didn't blow.



If inner lamp doesn't function;

check if the electricity is on, bulb is not faulty, if it is change the bulb as per the instructions in the manual.



Upper and lower heaters don't cook evenly;

Check raw positions, thermostat positions and timing referring to the manual.



If the problem continues, please call the authorised service closest to you.

MODEL		BMFPROGSS
COLOUR		STAINLES STEEL
ENERGY TYPE		ELECTRIC
TIMER		DIGITAL TIMER
INNER CAVITY		1
COOKING FUNCTION		7 FUNCTIONS
OVEN VOLUME		67 LITERS
OVEN POWER		3350 WATTS
GRILL POWER		3200 WATTS
TURBO RESISTANCE		2000 WATTS
TURBO FAN		YES
TOTAL POWER		3350 WATTS
THERMOSTAT	OVEN	0-285 C
	SECURITY	160 C
VOLTAGE		230 V
FREQUENCY		50-60 HZ
ENERGY CLASS		A
ENERGY CONSUMPTION (CONVENTIONAL-KWH)		0,82 Kwh
ENERGY CONSUMPTION – FORCED AIR- KWH		0,79 Kwh
PRODUCT DIMENSIONS		
OUTER WIDTH (MM)		594
OUTER DEPTH (MM)		560
OUTER HEIGHT (MM)		594

We apologise for any inconvenience caused by minor inconsistencies within these instructions that may occur due to product improvements and development

All images and drawing are for illustration purposes only.



This appliance/fitting is marked according to the European directive 2002/96/EC on Waste Electrical and Electronic Equipment (WEEE). By ensuring this product is disposed of correctly, you will help prevent potential negative consequences for the environment and human health, which could otherwise be caused by inappropriate waste handling of this product.

The symbol on the product, or on the documents accompanying the product, the **crossed out wheellie bin** symbol, indicates that this appliance/fitting may not be treated as household waste. Instead it shall be handed over to the applicable collection point for the recycling of electrical and electronic equipment. Disposal must be carried out in accordance with local environmental regulations for waste disposal. For more detailed information about treatment, recovery and recycling of this product, please contact your local authority, your household waste disposal service or the retailer where you purchased the product.



Product Guarantee

This product is guaranteed against manufacturing defects for a period of



This product is guaranteed for 12 months from the date of original purchase. Any defect that arises during this period due to faulty materials or workmanship will either be repaired free of charge or replaced.

The guarantee is subject to the following provisions:

- The guarantee does not cover accidental damage, misuse, cabinet parts, knobs or consumable items.
- The product must be correctly installed and operated in accordance with the instructions contained in this manual.
- It must be used solely for domestic purpose.
- The guarantee will be rendered invalidated if the product is re-sold or has been damaged by inexpert repair.
- Specifications are subject to change without notice.
- The manufacturer disclaims any liability for the incidental or consequential damages.
- The guarantee is in addition to, and does not diminish your statutory or legal rights.
- In the event of a problem with the product with in the guarantee period call :-
Argos Product Support 01759 487838.

Guarantor: Argos Ltd
489 - 499 Avebury Boulevard
Central Milton Keynes
MK9 2NW