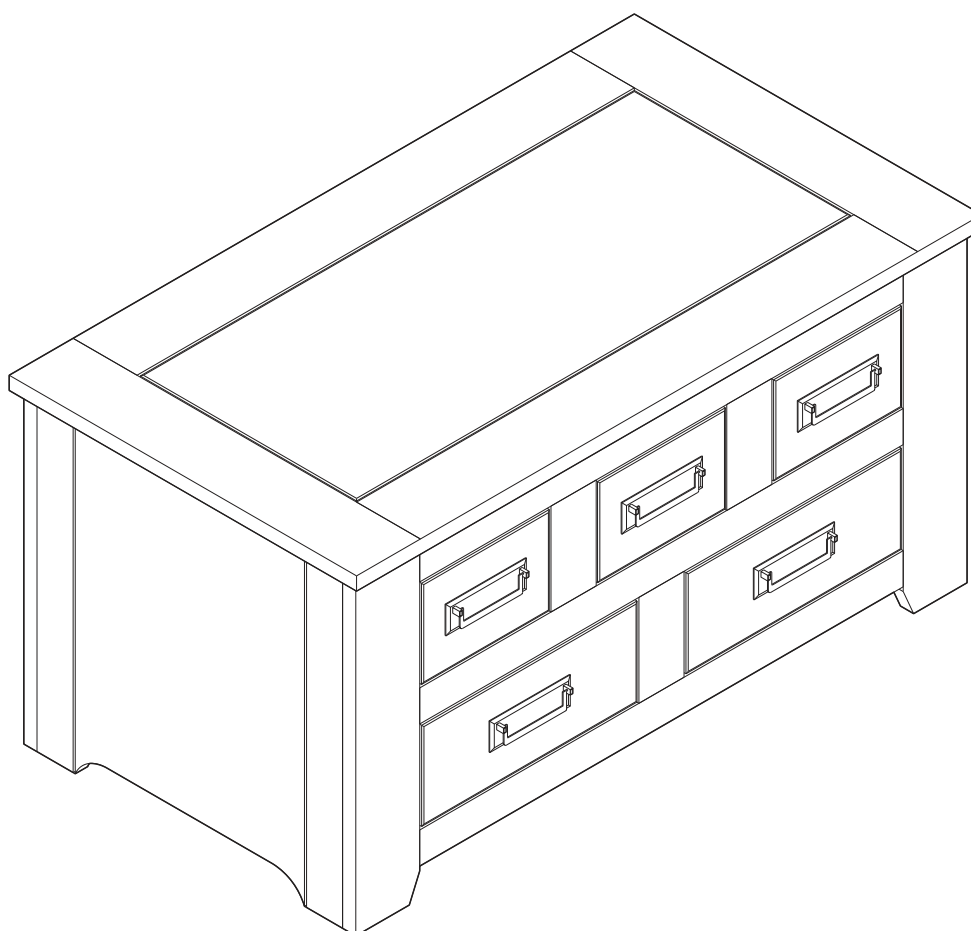


PENTON - Storage Coffee Table

Assembly Instructions - Please keep for future reference

490/9475



Dimensions

Width - 90cm

Depth - 50cm

Height - 46cm

Important – Please read these instructions fully before starting assembly

If you need help or have damaged or missing parts, call the **Customer Helpline: 03456 400 800**

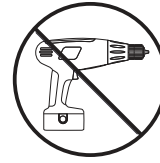


Safety and Care Advice

Important – Please read these instructions fully before starting assembly

- Check you have all the components and tools listed on pages 2 and 3.
- Remove all fittings from the plastic bags and separate them into their groups.
- Keep children and animals away from the work area, small parts could choke if swallowed.
- Make sure you have enough space to layout the parts before starting.
- Do not stand or put weight on the product, this could cause damage.
- Assemble the item as close to its final position (in the same room) as possible.
- Assemble on a soft level surface to avoid damaging the unit or your floor.

- This product has been produced from natural timber; you may notice some variation in the grain and colour of different component parts which is normal for furniture produced using natural wood and is not the result of any manufacturing fault.
- The product has been treated with a wax and oil finish to prevent dirt ingress and preserve moisture.
- On unpacking the furniture you may notice an odour due to this treatment; this will disappear once the furniture is unpacked and assembled after a period of time.
- This process may leave some staining on the packaging material; please take care to ensure this does not transfer to clothing or carpeted surfaces during assembly.



as this could damage the unit. Only use hand screwdrivers.

- We do not recommend the use of power drill/drivers **for inserting screws**,

- Parts of the assembly will be easier with 2 people.
- Dispose of all packaging carefully and responsibly.

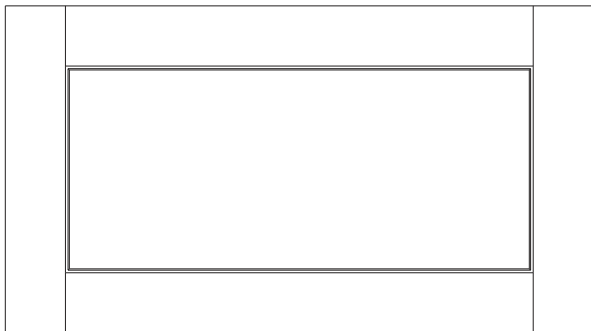
Care and maintenance

- Use an appropriate furniture polish for natural wood furniture and a dry cloth to clean the product.
- Avoid placing the furniture in direct sunlight as this will cause the timber to prematurely age.
- From time to time check that there are no loose screws on this unit.
- This product should not be discarded with household waste. Take to your local authority waste disposal centre.

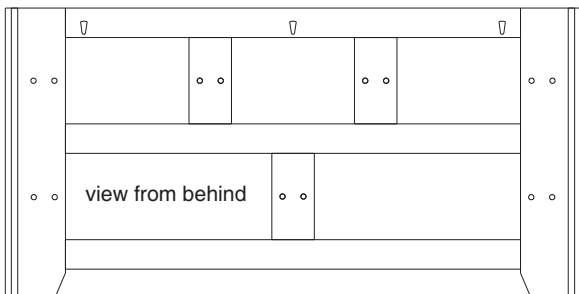
Note: If required the next page can be cut out and used as reference throughout the assembly. Keep this page with these instructions for future reference.

Components - Panels

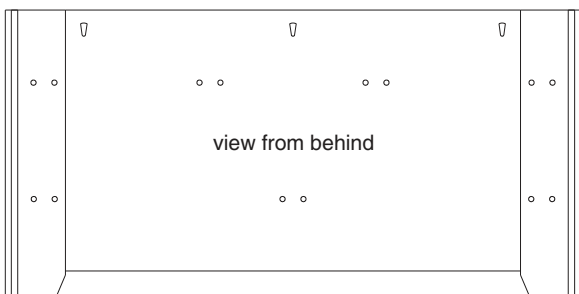
Please check you have all the panels listed below



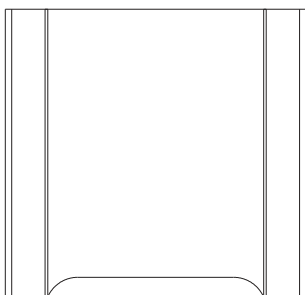
1 Top panel (90 x 50cm)



2 Front frame (88 x 44cm)



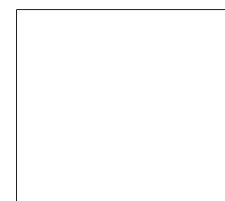
3 Back panel (88 x 44cm)



4 Side panel x 2 (44 x 46cm)



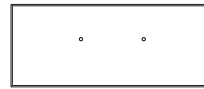
12 Smaller drawer bottom x 3 (17.1 x 33.7cm)



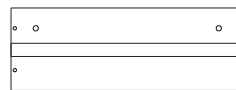
13 Larger drawer bottom x 2 (29.7 x 33.7cm)



5 Smaller drawer front x 3 (18.4 x 12.6cm)



6 Larger drawer front x 2 (31 x 12.6cm)



7 Drawer side x 10 (35.6 x 12.6cm)



8 Smaller drawer back x 3 (16 x 12.6cm)



9 Larger drawer back x 2 (28.6 x 12.6cm)



10 Side drawer runner x 4 (44 x 8cm)



11 Middle drawer runner x 3 (44 x 8cm)




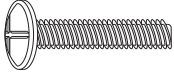
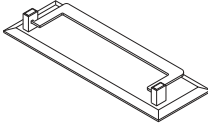


Components - Fittings

If you have damaged or missing components, call the **Customer Helpline: 03456 400 800**

Please check you have all the fittings listed below

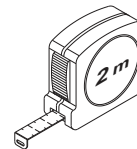
Note: The quantities below are the correct amount to complete the assembly. In some cases more fittings may be supplied than are required.

A  Wooden dowel x 52	B  30mm Screw x 40	C  35mm Screw x 24
D  22mm Bolt x 10	E  Drawer handle x 5	

Tools required



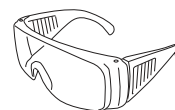
Phillips screwdriver
(small & medium)



Ruler/tape
measure



Small
hammer



Eye protection
(when using a
hammer or glue)

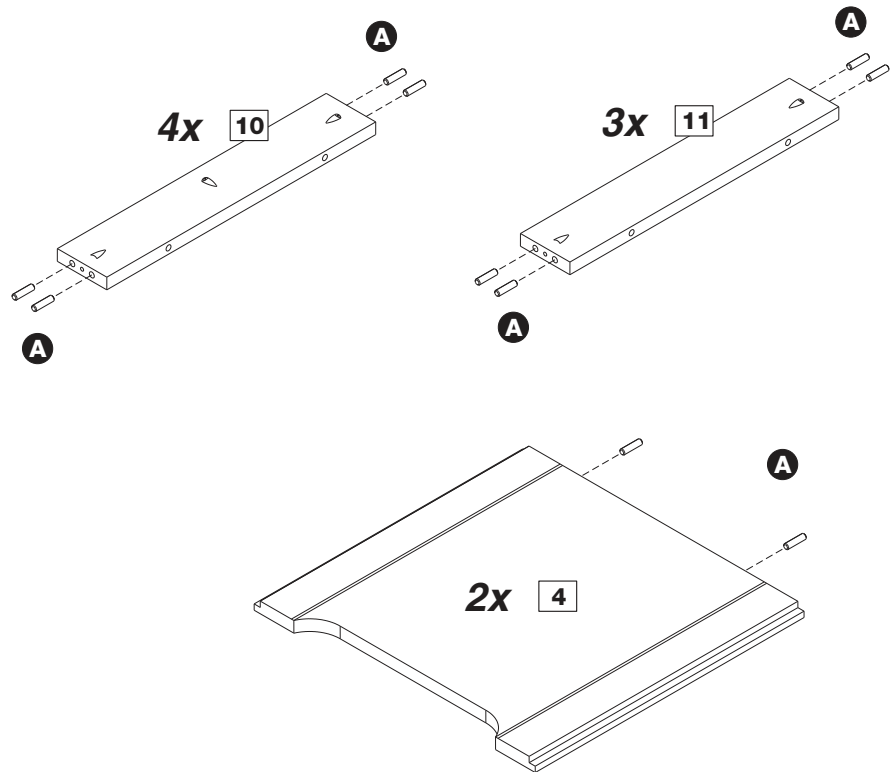
Ruler - Use this ruler to help correctly identify the screws



Assembly Instructions

Step 1

Insert dowels **A** into the indicated parts.

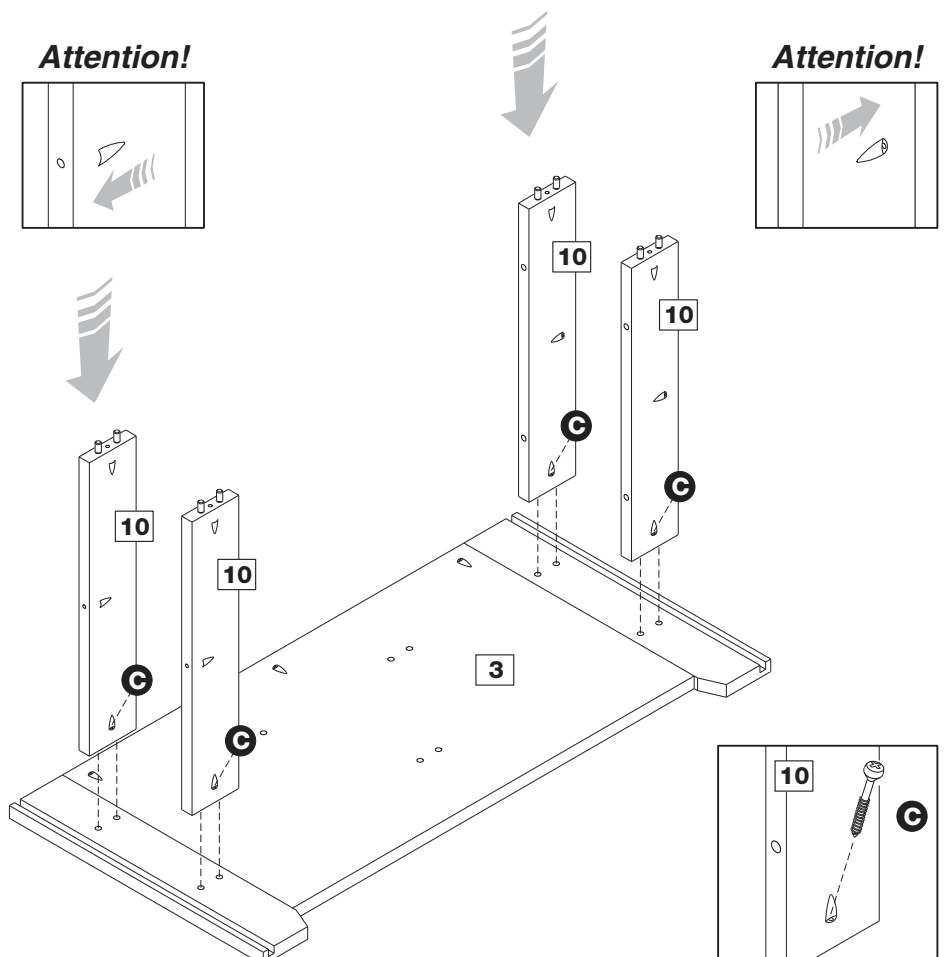


Step 2

Fixing side drawer runners.

Fit side drawer runners **10** to the back panel **3** then fix using screws **C**.

Attention: Make sure the holes in the middle of the side drawer runners are correctly positioned as shown in the drawing prior to fixing.



Assembly Instructions

Step 3

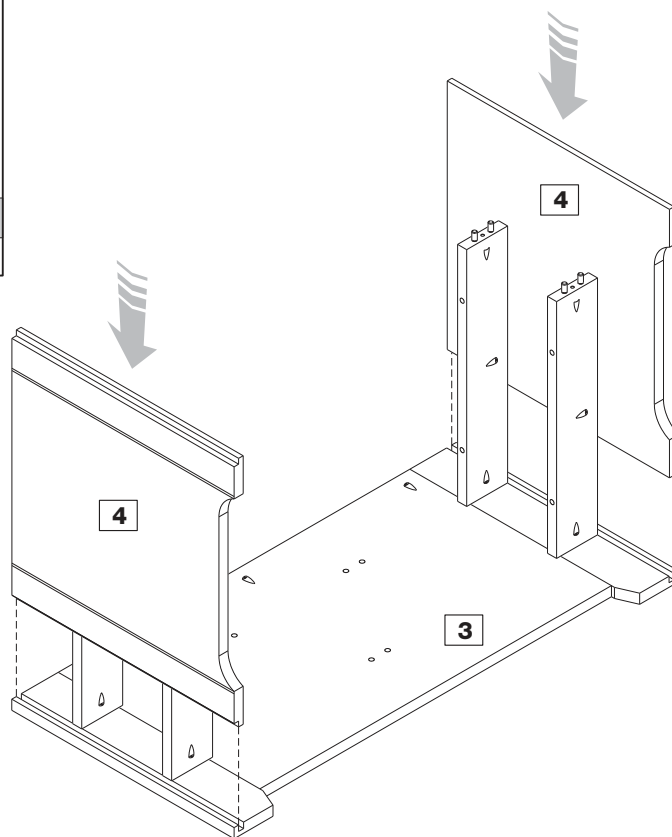
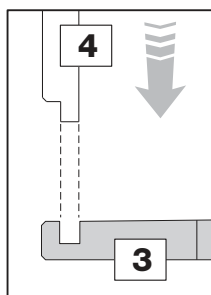
Inserting side panels.

Insert side panels **4** to the back panel **3** into the grooves.



Attention! Side panels must be in the grooves and aligned with the edges.

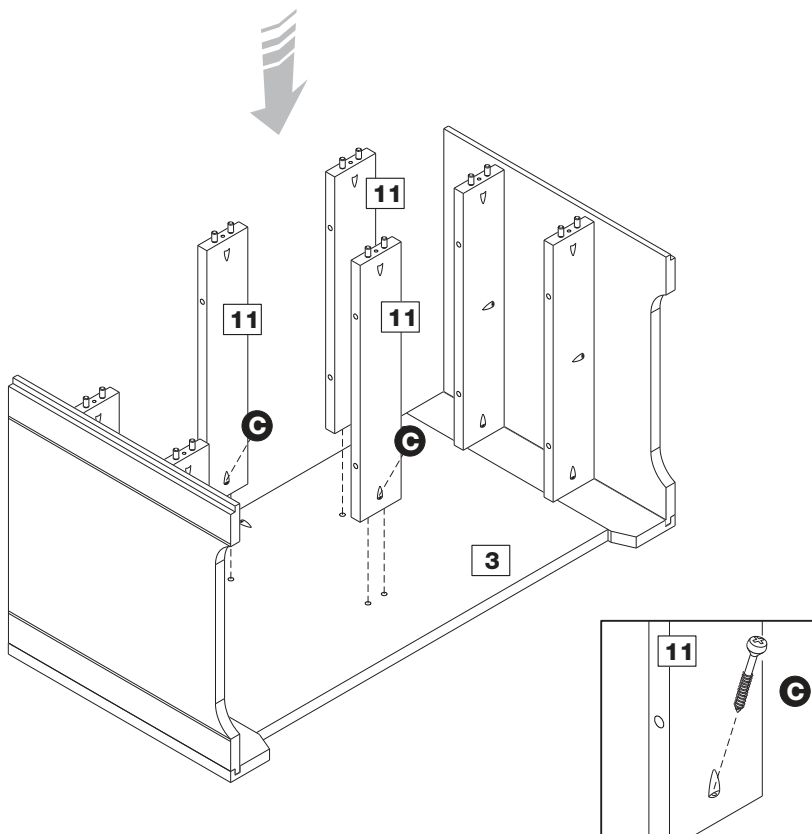
Attention!



Step 4

Fixing middle drawer runners.

Fit middle drawer runners **11** to the back panel **3** then fix using screws **C**.



Assembly Instructions

Step 5

Fixing front frame.

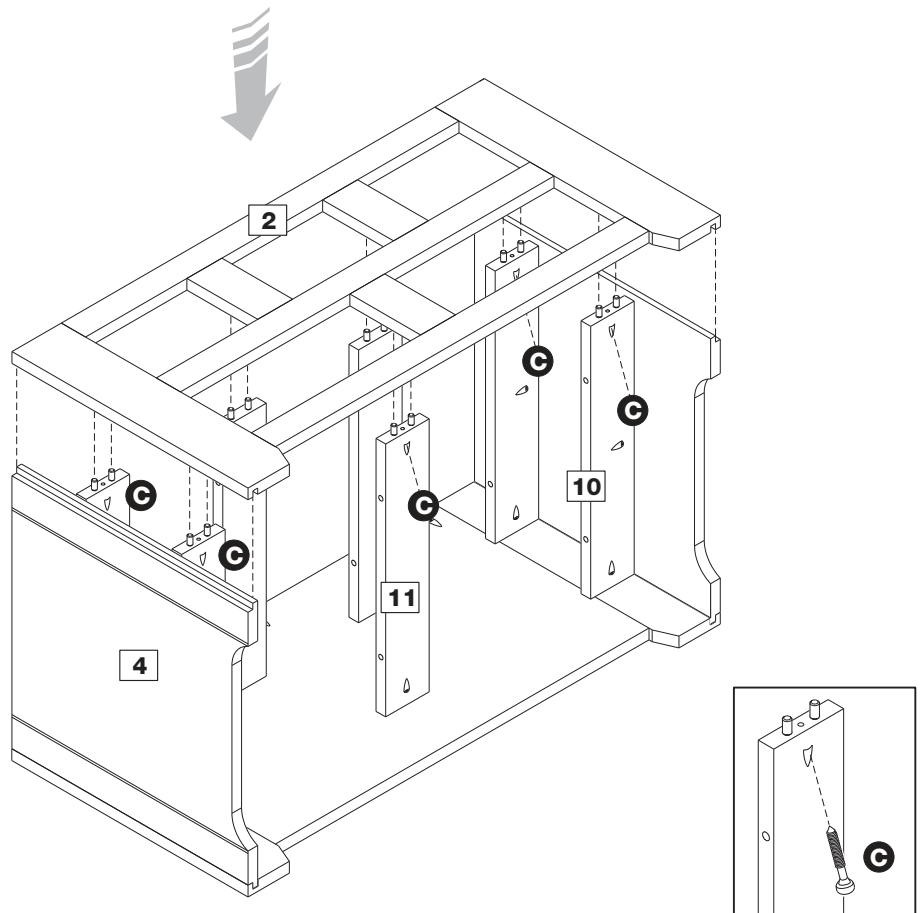
Place front frame **2** properly ensuring dowels and side panels **4** are all fit into their holes at the same time.



Attention!

Side panels must be in the grooves and aligned with the edges.

a: Fix drawer runners **10** and **11** to the front frame **2** using screws **C**.



Step 6

Fixing top panel.

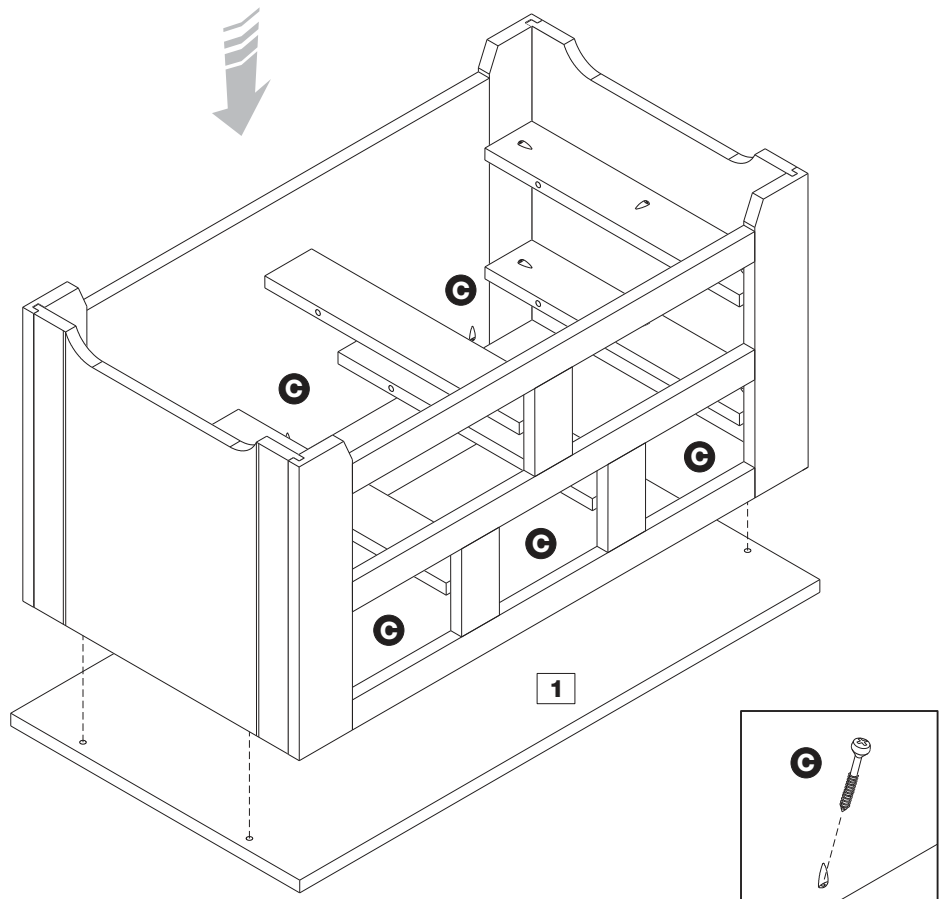
Two people are required for an easier assembly.



Caution:

Carefully lay the top panel on a soft and clean surface to avoid damaging the product.

Attach cabinet to the top panel **1** using screws **C**.



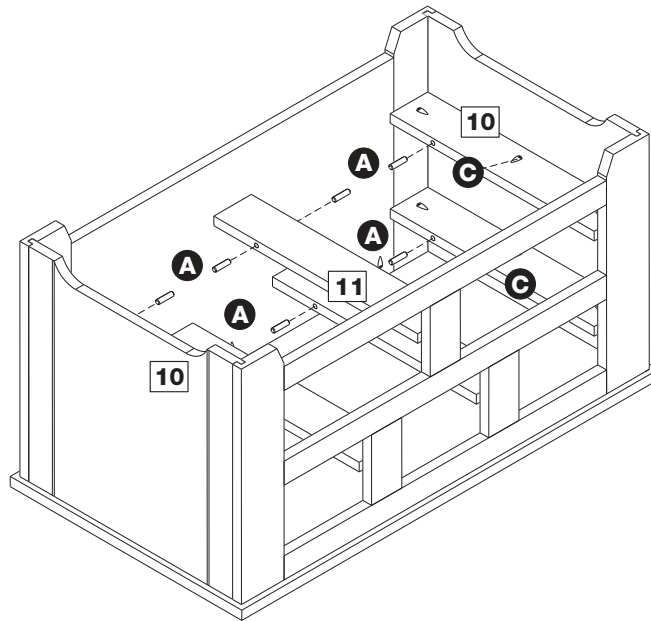
Assembly Instructions

Step 7

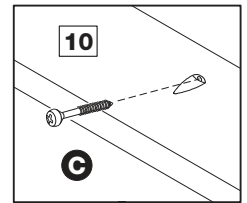
a: Fix side drawer runners **10** to the side panels using screws **C**.

b: Insert dowels **A** only into the back of the drawer runners **10** and **11** as shown.

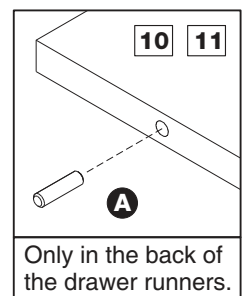
Important: After dowels insertion, with help, carefully stand the product upright.



a:



b:



Step 8

Smaller drawer assembly.

a: Attach drawer sides **7** to the drawer front **5** using screws **B**.

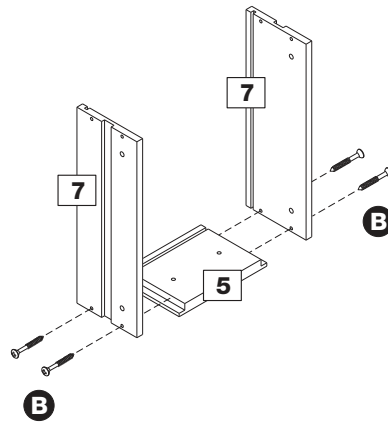
b: Slide drawer bottom **12** into slots on drawer sides and position drawer back **8** in place.

c: Holding the drawer back **8**, press the drawer sides and fix them using screws **B**.

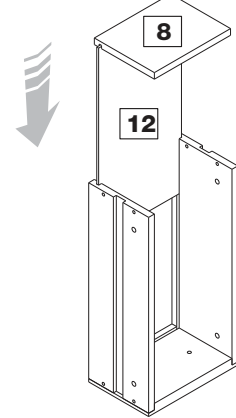
d: Using bolts **D** attach drawer handle **E** to drawer front.

Repeat step 8 for the other smaller drawers.

a:

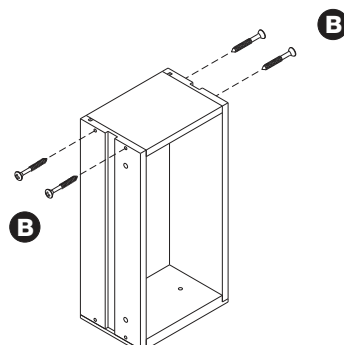


b:

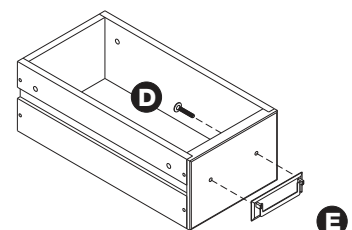


3x

c:



d:



Assembly Instructions

Step 9

Larger drawer assembly.

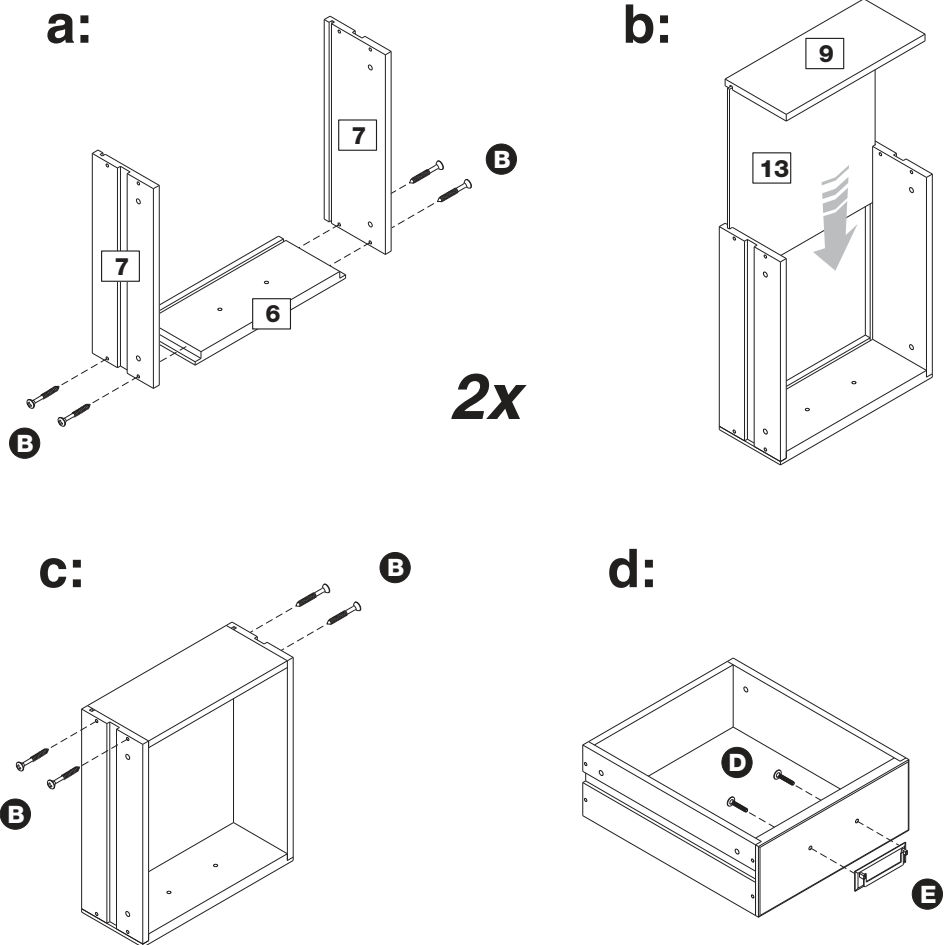
a: Attach drawer sides **7** to the drawer front **6** using screws **B**.

b: Slide drawer bottom **13** into slots on drawer sides and position drawer back **9** in place.

c: Holding the drawer back **9**, press the drawer sides and fix them using screws **B**.

d: Using bolts **D** attach drawer handle **E** to drawer front.

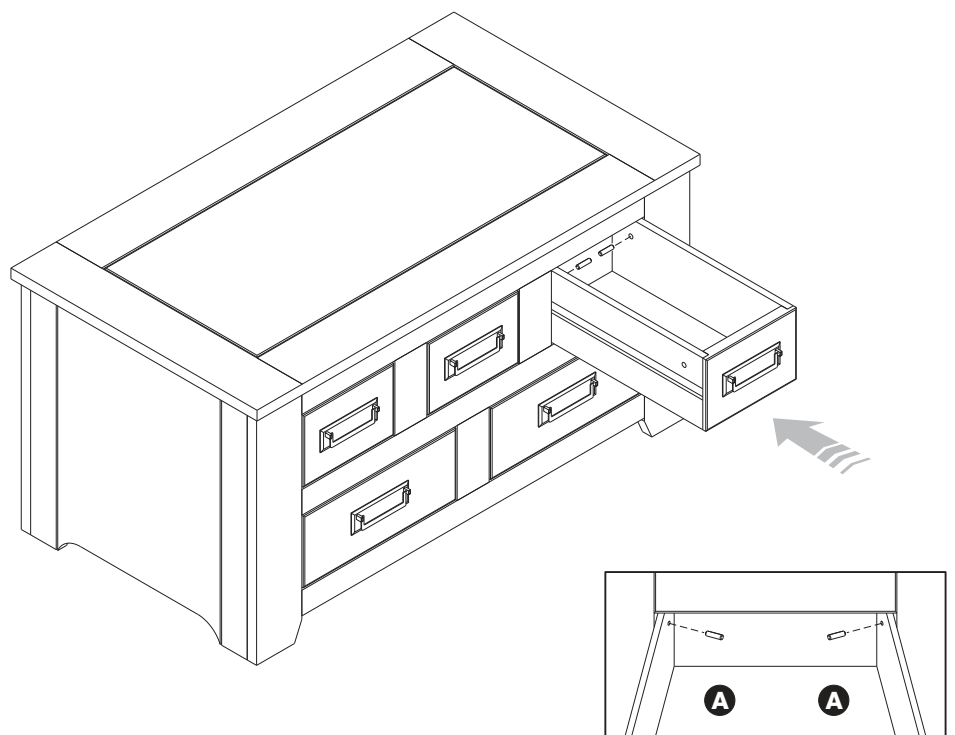
Repeat step 9 for the other larger drawer.



Step 10

Insert drawers into unit. With the back of the drawers past the front frames, use a hammer to tap dowels **A** in flush to drawer sides. This is a safety catch to stop drawer falling out.

Assembly is complete.



If you need help or have damaged or missing parts, call the **Customer Helpline: 03456 400 800**