

BUSH

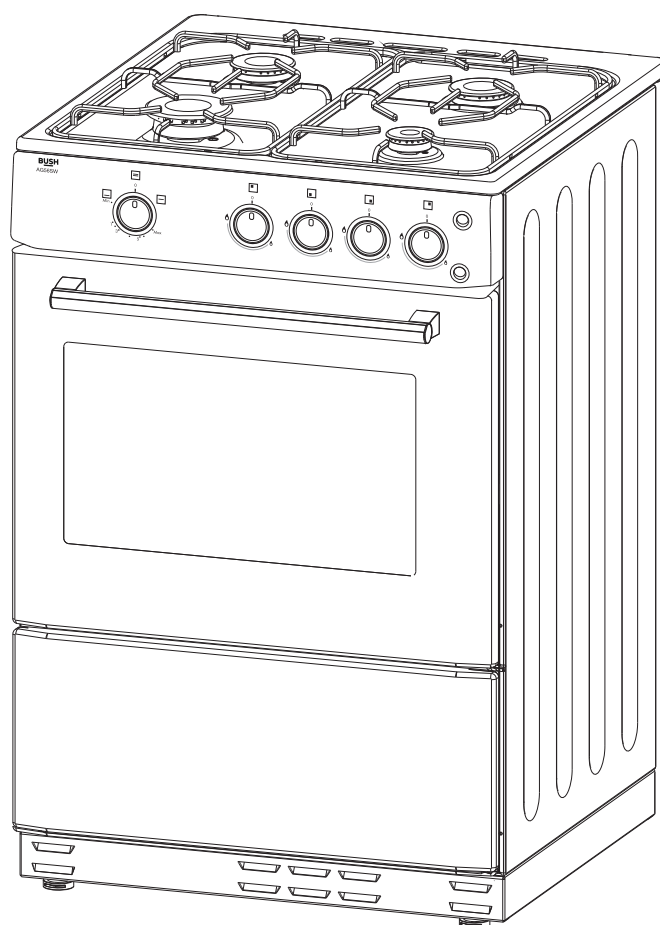
FREESTANDING OVEN

Operating Instructions – Please keep for future reference

AG56SW

AG56SS

AG56SB

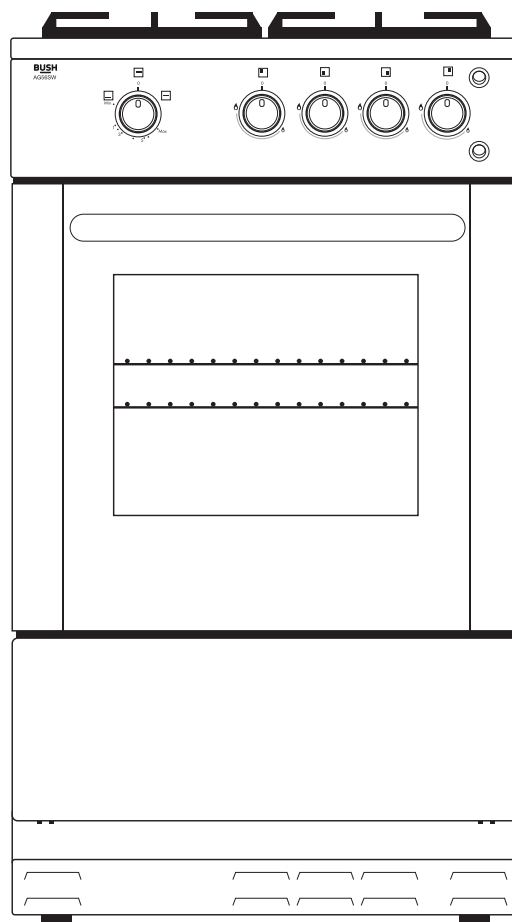


Important – Please read these instructions fully before using

These instructions contain important information that will help you get the best from your appliance, ensuring safe and correct installation, use and maintenance.

If you need help or have damaged or missing parts, call the **Customer Helpline on 0345 257 7271**

Parts	3
Safety Information	4
Installation	5
User instructions	7-10
Using the hob	7
Using the oven and grill	9
Cleaning and Maintenance	11-12
Cleaning and Maintenance	11-12
Transporting the cooker	12
Trouble Shooting	13
Technical Specifications	14-15
Injector table	14
Guarantee	16



Product code

AG56SW

AG56SS

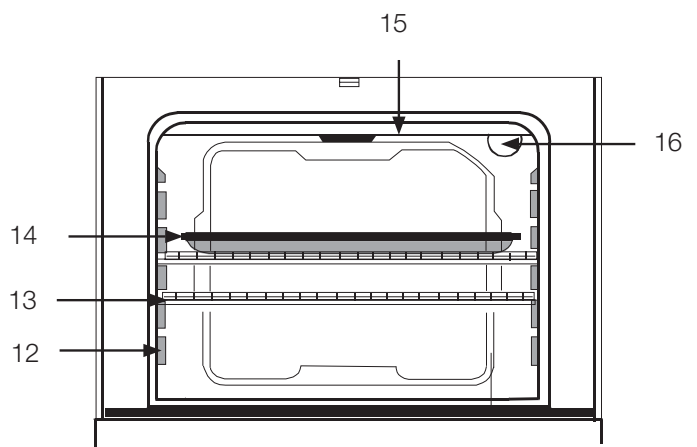
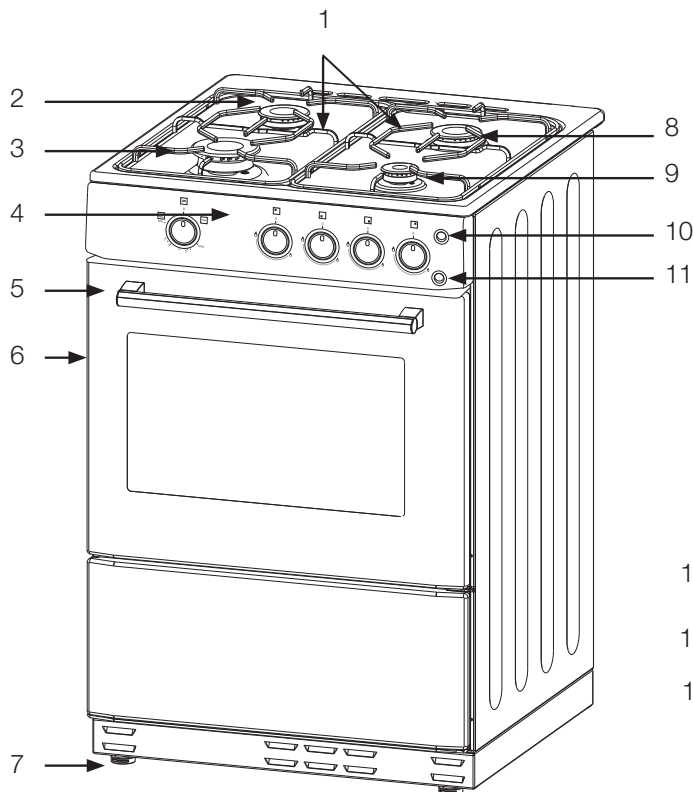
AG56SB

Parts

If you have damaged or missing parts, call the

Customer Helpline: **0345 257 7271**

Please familiarise yourself with the parts and accessories listed below



- 1. Pan supports x 2
- 2. Gas burner
- 3. Rapid burner
- 4. Control panel
- 5. Oven handle
- 6. Oven door
- 7. Adjustable foot x 4
- 8. Gas burner

- 9. Auxiliary burner
- 10. Ignition switch
- 11. Light switch
- 12. Oven rack support
- 13. **Oven rack**
- 14. **Grill pan and handle set**
- 15. Grill heating element
- 16. Oven light

Accessories

- Grill pan and handle set
- Grill heat shield



Safety Information

Customer Helpline **0345 257 7271**

Important – Please read these instructions fully before installation

Your appliance is produced in conformity with all relevant safety regulations relating to electrical appliances. Maintenance and repair work must only be performed by authorised or suitably qualified service technicians. Installation and repair work performed without observing the rules may be dangerous.

IMPORTANT - This appliance has been designed for non-professional, domestic use only.

IMPORTANT - Carefully unpack and examine the appliance for any damage. If you think there is a defect, **do not** use the appliance and contact the authorised repair agent on **0345 257 7271**.

IMPORTANT - Dispose of all packaging correctly and responsibly and in accordance with all local laws and regulations. Never leave packaging components within the reach of children as they can be a source of danger.

IMPORTANT - Before connecting the appliance to the household electrical supply, make sure the appliance is rated correctly for the type of electrical supply in your house by checking the information on the rating plate.

IMPORTANT - Make sure your electrical isolation switch is in an easily accessible position following installation.

IMPORTANT - Switches should be set to '0' when the appliance is not in operation.

IMPORTANT - **Do not** use steam cleaners for cleaning the cooking hobs and oven cavity.

IMPORTANT - In the event that the flexible cable is damaged contact your authorised service agent for replacement - the cable fitted to this appliance may not be replaced by an unauthorised person.

WARNING - Whilst grilling, the oven door **must** be open. **Never** use the grill with the oven door closed.

WARNING - This appliance **must** be installed by an authorised technician prior to use. The manufacturer is not responsible for any damage that might be caused by installation not in accordance with these instructions.

WARNING - Accessible parts become hot during use, young children **must** be kept away.

WARNING - This appliance is not intended for use by persons (including children) with reduced physical, sensory and mental capabilities or lack of experience and knowledge, unless they have been given supervision or instructions concerning use of the appliance by persons responsible for their safety.

WARNING - Children should be supervised to make sure that they do not play with the appliance.

WARNING - When the oven door is open **do not** place anything on it. This could disturb the balance of the appliance or break the door.

WARNING - Make sure cables of other electrical devices cannot come into contact with the hot parts of this appliance.

WARNING - Protect your appliance from atmospheric effects. **Do not** expose to the effects of sun, rain, snow, dust etc.

CAUTION - Disconnect the appliance from the electrical supply before changing the oven lamp.

CAUTION - Make sure the appliance is turned off at the mains before cleaning.

CAUTION - **Do not** keep flammable materials close to the appliance when it is in operation.

CAUTION - **Do not** move away from the appliance while cooking with fat or oil. Flaring may occur in the case of overheating. **Never** pour water into flaring oil.

CAUTION: The use of a gas cooking appliance results in the production of heat, moisture and products of combustion in the room in which it is installed. Ensure that the kitchen is well ventilated especially when the appliance is in use, keep natural ventilation holes open or install a mechanical ventilation device (mechanical extractor hood).

CAUTION: This appliance is for cooking purposes only. It must not be used for other purposes, for example room heating.

Positioning & electrical connection

IMPORTANT - All Gas installations must be carried out by a suitably qualified person. For information on choosing a gas installer contact the 'Gas Safe Register'. For specific gas installation, refer to the separate installation guide.

Positioning

1. Make sure that there are no combustible or flammable materials, such as curtains, in the vicinity of the installation.
2. Furniture and cabinets surrounding the oven must be of material resistant to temperatures greater than 100 °C.
3. Surrounding furniture, cabinets and extractor fans should be positioned in accordance with the diagram shown in figure 1.
4. There must be at least 2cm of free space between the back wall and the rear of the appliance to allow for ventilation and air circulation.
5. If fitted, the extractor fan must be at least 65cm above the hob. If no fan is fitted the minimum distance between the hob and any cabinet or other structure must be 70cm.

Feet height adjustment

1. The height and level of the appliance can be adjusted by rotating the feet located underneath the appliance at each corner as shown in figure 2.
2. Rotate in a clockwise direction to decrease the height and anti clockwise to increase the height.
3. Once the desired level has been achieved make sure to lift the appliance into its location.
Do not drag it as this may cause damage to your floor and the appliance.

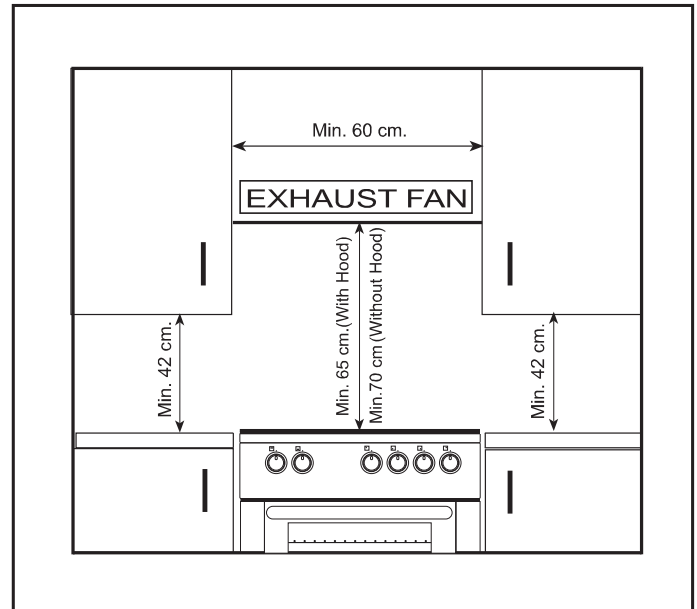


Figure 1

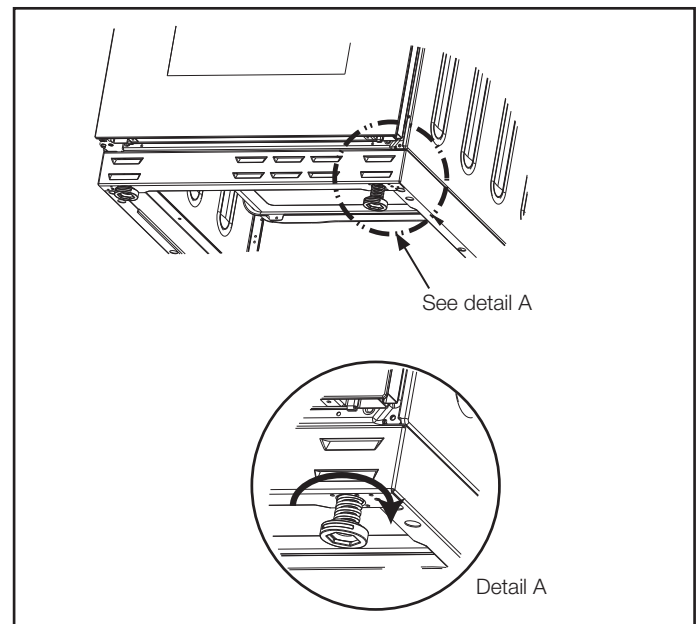


Figure 2

Positioning & electrical connection

IMPORTANT - Electrical connections must be carried out by a suitably qualified person and in accordance with all relevant local building and installation regulations.

Electrical connections

1. This appliance is fitted with fused plug which should be inserted into a suitable mains socket.
2. It is recommended that the mains socket is located behind the appliance and is switched on and off via a separate switched Fused Connection Unit (FCU).
3. It is recommended that the switched FCU is located adjacent to the appliance within a maximum distance of 2m. The switched FCU must not be located above the appliance but should be easily accessible in case of an emergency.

Using the hob

Ignition of the burners

1. First identify the correct control knob by checking the symbols above each knob as shown in figure 3.
2. Turn the control knob fully clockwise to the 'Max' position whilst pressing in towards the control panel as shown in figure 4.
3. Simultaneously press and hold the ignition button until the gas burner is alight.
4. Continue to hold both the ignition button and the control knob inwards for at least 5 seconds.
5. In the event the burner or ring fails to light, repeat the process in steps 1-4 above. In the event this still fails to operate, wait at least 90 seconds before attempting to ignite the burner.
6. **IMPORTANT** – This appliance is equipped with a 'Flame Safe Device' (FSD). In the event that the oven burner or gas rings are accidentally extinguished the gas supply will be cut. Wait for at least 90 seconds before attempting to re-ignite the burners.

Control of the hob rings

1. Each control knob has 3 main positions as shown in figure 5:
 - Off (0)
 - Min
 - Max
2. After ignition the control can be adjusted anywhere between the max and min positions to achieve the desired heat output.
3. To turn the hob off, rotate the control knob into the '0' position.

IMPORTANT – If the flame is seen to have a prolonged yellow colouration, turn off the burners and make sure the burner assembly is correctly positioned. Wait for 90 seconds before attempting to re-ignite the burner.

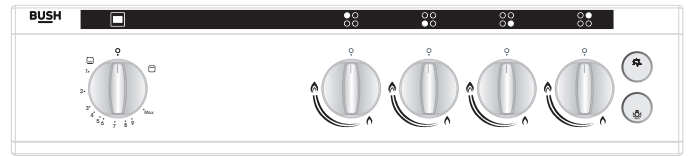


Figure 3

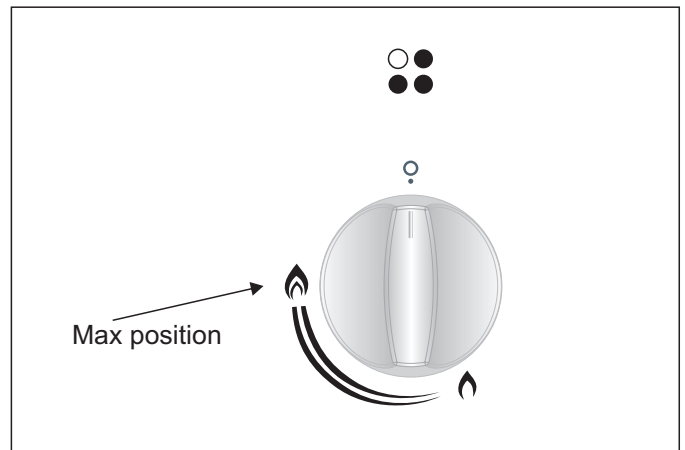


Figure 4

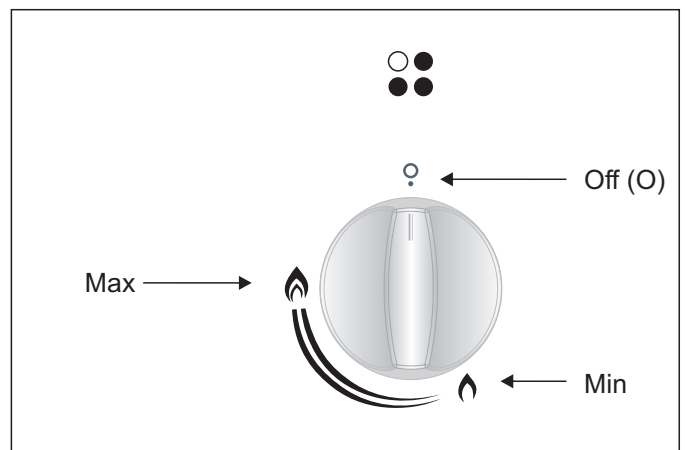


Figure 5

Using the hob

Performance tips

1. Always select pans that are correctly sized for the ring on which it is positioned to avoid unnecessary energy loss as shown in figure 6.
2. To avoid accidental spillage, make sure pans are centrally positioned and avoid allowing handles to overhang.

CAUTION - Do not allow the flame tips to spread around the edges of pans to avoid the pan handles and other external parts becoming hot.

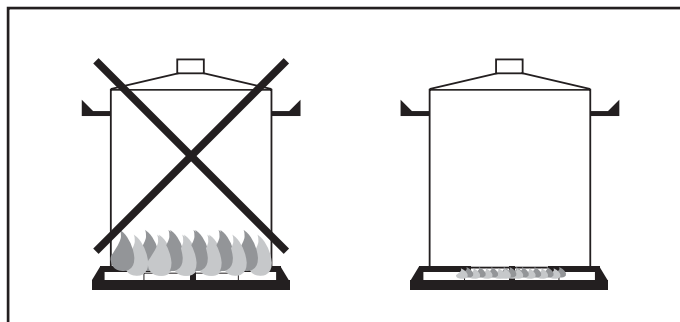
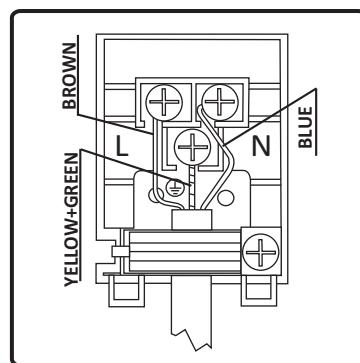


Figure 6

Electric connection and safety

During the electric connection, follow the instructions stated in the user manual.

- The earthing cable must be connected to the earth terminal.
- You have to ensure the power cord with suitable insulation to be connected to the power source during the connection. If there is no appropriate earthed electric outlet in accordance with regulations in the place where the appliance to be installed, contact to our authorized service. The earthed electric outlet must be close to the appliance.
- Do not use an extension cord.
- The power cord must not touch to the hot surface of the product.
- In case the cord is damaged, contact Authorized Service to have it changed.
- Any wrong electric connection may damage your appliance, as well as endangering your safety, rendering your guarantee invalid.
- The appliance is adjusted for 230V 50Hz electricity. If the mains electricity is different contact your authorized service.
- The supply cord should be kept away from hot parts of appliance. Otherwise, the cord may be damaged, causing short circuit.
- The manufacturer declares that it has no responsibility against any kind of damages and losses that are caused by improper connections that are performed by unauthorized people.



Using the oven and grill

Using the grill pan and handle set

WARNING - Always use an oven glove to protect your hand when using the grill, as the metal parts can become very hot!

The grill pan has a detachable handle. When using the grill pan handle, make sure that it is centralised and secure, as shown in figure 7.

IMPORTANT - Do not leave the handle in position when grilling. If the handle is left in position, it will get very hot.

Oven control

1. The oven is controlled using the oven/grill control knob. The oven is ignited in the same way as the gas hob rings.
2. The temperature may be adjusted according to the markings on the control knob between gas marks 1 and 9. The table below gives approximate temperature equivalents for each gas mark setting.

Oven	
Mark	Temperature
1	140 °C
2	150 °C
3	170 °C
4	180 °C
5	190 °C
6	200 °C
7	220 °C
8	230 °C
9	240 °C
MAX	270 °C

4. To turn the oven off, rotate the control knob anti-clockwise until the '0' position is selected as shown in figure 8.

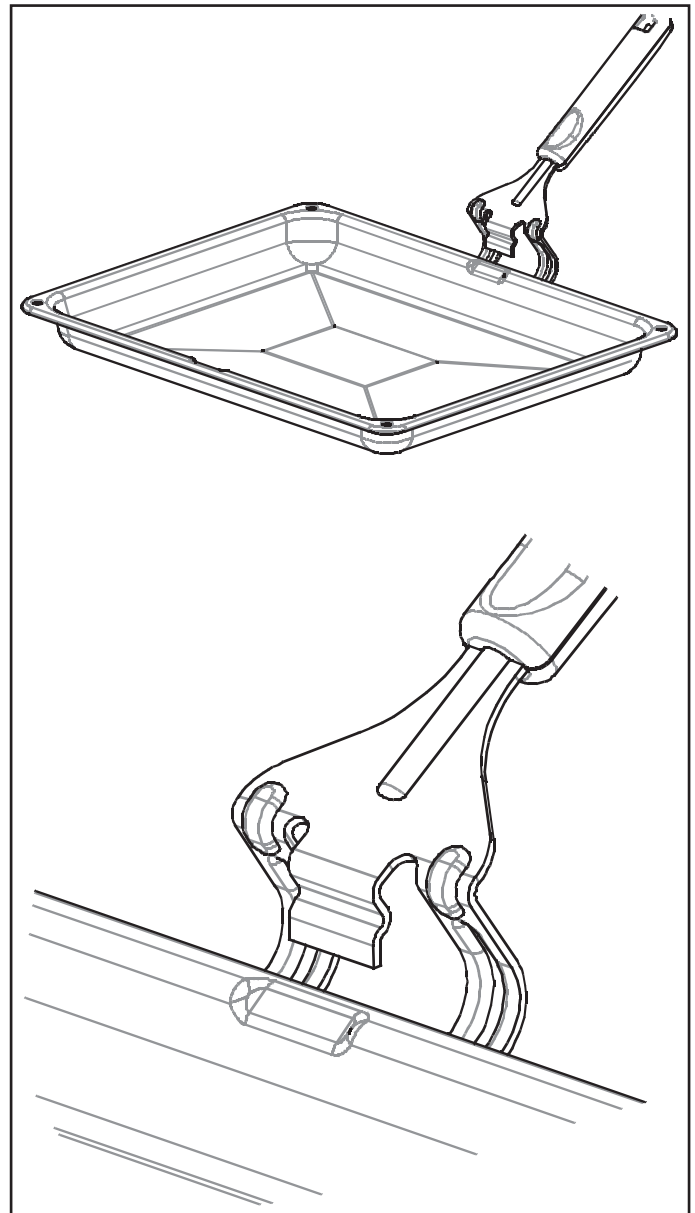


Figure 7

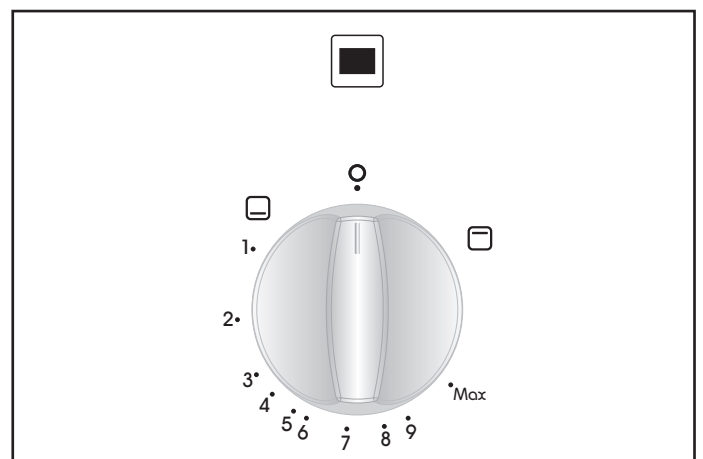


Figure 8

Using the oven and grill

Grill set up and use

IMPORTANT - Before using the grill, make sure the heat shield is inserted in order to prevent damage and excess heating to the control panel and knobs.

1. Hold the heat shield so that the fold in the metal is facing upwards as shown in figure 9.
2. Offer up the slots in the heat shield to the two protruding screws between the oven door and underside of the control panel.
3. Make sure the heat shield is located securely by pushing it firmly towards the oven.
4. The grill is ignited in the same way as the hob rings. The Grill position on the oven/grill control knob is shown in figure 10.
5. The grill temperature can not be varied but provides a constant heat.
6. Make sure the oven rack is in the upper most position that ensures food does not touch the flame during use.

WARNING – Make sure the grill is turned off before closing the oven door.

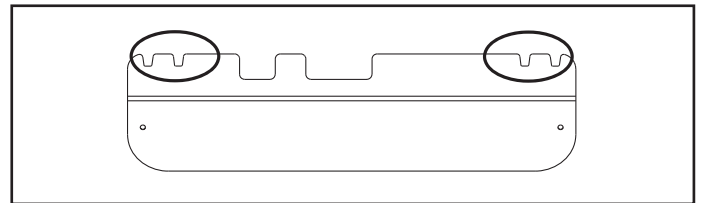


Figure 9

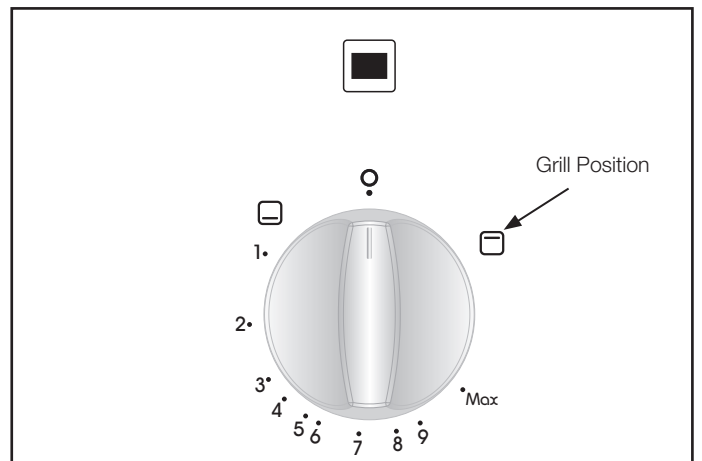


Figure 10

Cleaning and maintenance

CAUTION - Make sure the oven and hobs are turned off prior to commencing any cleaning. Make sure all parts have been allowed to cool to prevent the risk of burning.

Interior cleaning

IMPORTANT - Do not use steam cleaners when cleaning the oven.

- General cleaning of the interior surfaces may be conducted using a wet cloth and soapy water.
- Avoid using harsh abrasive cream and/or powder based cleaners.
- Use an approved oven cleaner periodically or when the oven interior is particularly dirty.
- In order to prevent damage to your appliance always test cleaners on small section first and follow the manufactures instructions for use.

Exterior cleaning

- Use a wet cloth and mild detergent on metallic and enamelled surfaces.
- Use a glass cleaner on the exterior surfaces of glass windows and doors.
- Always follow the cleaner manufacturer's instructions.

IMPORTANT – Do not use abrasive cleaners or scouring pads as this may damage the enamel surfaces and shorten the life of the appliance.

Changing the oven light

1. Before replacing the bulb disconnect the appliance from the electrical supply.
2. Make sure that the oven has had sufficient time to cool down before opening the oven door.
3. Remove the glass protective cover by twisting it anticlockwise, taking care not to let it drop.
4. Remove the lamp by twisting it anticlockwise, taking care not to let it drop.

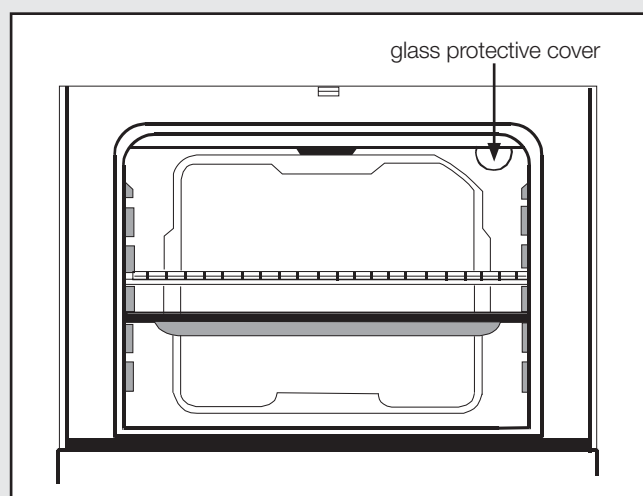
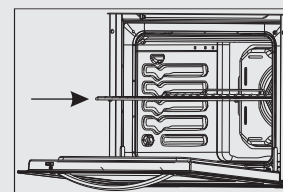


Figure 11

5. The replacement lamp **must** conform to the following:
 - 25 Watt 230V, 50 Hz, E14 resistant to high temperature (300°C)
 - Part number 32011563 -Oven Light 230V.
 - This bulb can be purchased from your authorised service agent.
6. Replace the lamp.
7. Replace the glass protective cover.
8. Check the light comes on when you use the oven.

WARNING- Fit the grid correctly into any corresponding rack in the oven cavity and push it to the end.



Cleaning and maintenance

Routine checks

1. Periodically inspect the gas connection pipe and electrical connections to make sure there are no signs of wear or damage.
2. In the event of any abnormality, contact an authorised service agent to carry out repairs.

Transporting the cooker

IMPORTANT – Before transporting the appliance, make sure the appliance has been disconnected from both the gas supply and mains electricity supply.

WARNING – All gas installation and disconnection must be performed by a Gas Safe registered engineer.

1. Remove all accessories, pan supports, oven trays and all other items which may become loose during transit.
2. Tape the oven door closed to prevent it opening.
3. Where possible, reuse the original packaging. If this is not available, protect the appliance from damage using suitable packaging materials.
4. Protect the external surfaces of the appliance using cardboard or paper. Particular attention should be paid to glass or painted surfaces.

Trouble Shooting

Customer Helpline **0345 257 7271**

Basic troubleshooting before contacting service

WARNING – If you smell gas, immediately turn off the gas supply at the mains and open all windows and doors to ventilate the area. Do not operate any electrical appliances including lighting switches and wall sockets. Call your authorised gas engineer.

Problem	Possible cause	Solution
<ul style="list-style-type: none"> - Oven does not turn on. - Gas ring does not ignite. 	<ul style="list-style-type: none"> - Power is turned off. - Gas supply is turned off. - FSD has just operated. 	<ul style="list-style-type: none"> - Make sure both the electrical and gas connections are operational and that the gas tap and switches are set to the open/on positions. - Wait for 90 seconds and re-ignite following the procedure on page 7.
No heat or oven does not warm up.	<ul style="list-style-type: none"> - Gas burner has extinguished. - Oven temperature control is incorrectly set. - Oven door has been left open. 	<ul style="list-style-type: none"> - Follow the re-ignition procedure on page 7. - Check the oven temperature control knob is set correctly. - Make sure oven door is closed. Avoid opening frequently during cooking.
Oven light does not operate.	<ul style="list-style-type: none"> - Lamp has failed. - Electrical supply is disconnected or switched off. 	<ul style="list-style-type: none"> - Replace lamp according to the instructions on page 11. - Make sure the electrical supply is turned on at wall socket outlet.
Gas rings have an uneven flame or flame is discoloured.	<ul style="list-style-type: none"> - Hob assembly is misaligned. - Dirt or moisture ingress inside the ring assemblies. - Gas supply is interrupted. 	<ul style="list-style-type: none"> - Turn off and adjust the ring assemblies to make sure they are correctly seated. - Clean and dry the ring assemblies thoroughly and realign. - Call the customer helpline on 0845 600 4632 or consult a qualified gas installation engineer.
Cooking is uneven within the oven.	<ul style="list-style-type: none"> - Oven shelves are incorrectly positioned. - Gas burner is dirty or obstructed. 	<ul style="list-style-type: none"> - Position the shelves towards the top or bottom of the oven following cooking guidelines. The top of the oven will be hotter than the bottom. - Clean the Gas burner carefully using a soft wet cloth and dry thoroughly before re-igniting. <p>Important If problems persist call an authorised installation engineer or the customer helpline on 0345 257 7271.</p>

Injector table

G30 28-30mbar 10.3 kW 749 g/h II2H3+ GB Clase: 1	NG G20 20 mbar	LPG G30/G31 28-30/37 mbar
LARGE BURNER		
DIA. of INJECTOR (1/100mm)	115	85
NOMINAL RATING (KW)	3	3
CONSUMPTION	285,7 l/h	218,1 g/h
MEDIUM BURNER		
DIA. of INJECTOR (1/100mm)	97	65
NOMINAL RATING (KW)	1,75	1,75
CONSUMPTION	166,7 l/h	127,2 g/h
MEDIUM BURNER		
DIA. of INJECTOR (1/100mm)	97	65
NOMINAL RATING (KW)	1,75	1,75
CONSUMPTION	166,7 l/h	127,2 g/h
SMALL BURNER		
DIA. of INJECTOR (1/100mm)	72	50
NOMINAL RATING (KW)	1	1
CONSUMPTION	95,2 l/h	72,7 g/h
OVEN BURNER		
DIA. of INJECTOR (1/100mm)	120	76
NOMINAL RATING (KW)	2,8	2,8
CONSUMPTION	266,7 l/h	203,6 g/h
GRILL BURNER		
DIA. of INJECTOR (1/100mm)	110	68
NOMINAL RATING (KW)	2,2	2,2
CONSUMPTION	209,5 l/h	160 g/h

Technical Specifications

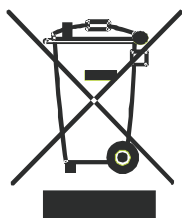
Customer Helpline **0345 257 7271**

Model/Item	AG56SW / AG56SS / AG56SB
Power supply	(230)V~
Maximum power	10,3 Kw
Size(H x W x D)	900x500x600

We apologise for any inconvenience caused by any minor inconsistencies in these instructions , which may occur as a result of product improvementst and development.



Disposal information



The symbol on the product or on its packaging indicates that this product may not be treated as household waste. Instead it shall be handed over to the applicable collection point for the recycling of electrical and electronic equipment. By ensuring this product is disposed of correctly, you

will help prevent potential negative consequences for the environment and human health, which could otherwise be caused by inappropriate waste handling of this product. For more detailed information about recycling of this product, please contact your local city office, your household waste disposal service or the shop where you purchased the product.



Product Guarantee

This product is guaranteed against manufacturing defects for a period of



This product is guaranteed for twelve months from the date of original purchase. Any defect that arises due to faulty materials or workmanship will either be replaced, refunded or repaired free of charge where possible during this period by the dealer from whom you purchased the unit.

The guarantee is subject to the following provisions:

- The guarantee does not cover accidental damage, misuse, cabinet parts, knobs or consumable items.
- The product must be correctly installed and operated in accordance with the instructions contained in this manual.
- It must be used solely for domestic purpose.
- The guarantee will be rendered invalid if the product is re-sold or has been damaged by inexpert repair.
- Specifications are subject to change without notice.
- The manufacturer disclaims any liability for the incidental or consequential damages.
- The guarantee is in addition to, and does not diminish your statutory or legal rights.
- In the event of a problem with the product with in the guarantee period call the Customer Helpline: 0345 257 7271.

Guarantor: Argos Ltd
489 - 499 Avebury Boulevard
Central Milton Keynes
MK9 2NW