

Important - Please read these instructions fully before installing or using

These instructions contain important information which will help you get the best from your appliance and help to ensure safe and correct installation, use and maintenance.

If you need help or have damaged or missing parts, call the **Customer Helpline:0345 257 7271**

Contents

| | |
|-----------------------------|----|
| Presentation of the product | 2 |
| Warnings | 3 |
| Installation of your oven | 4 |
| Using the oven | 10 |
| Cleaning and maintenance | 14 |
| Service and Transport | 15 |

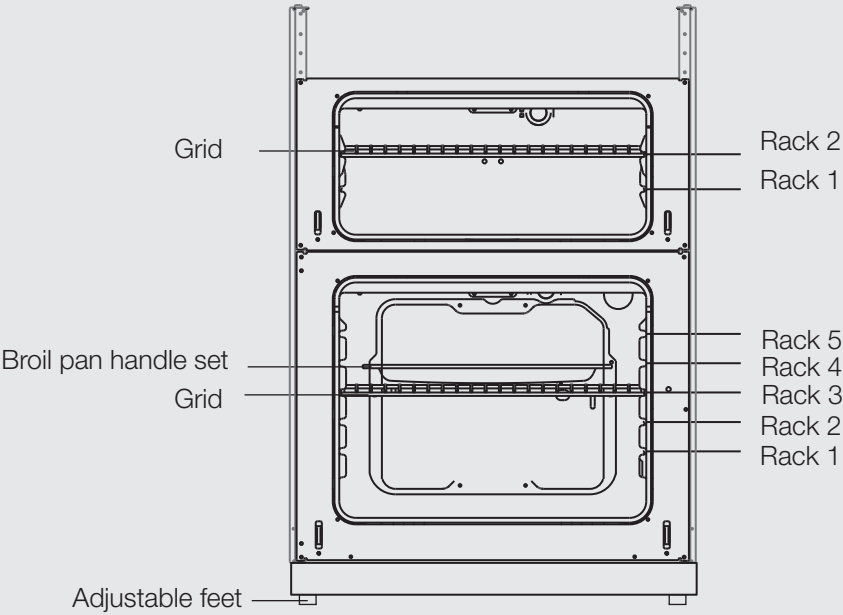
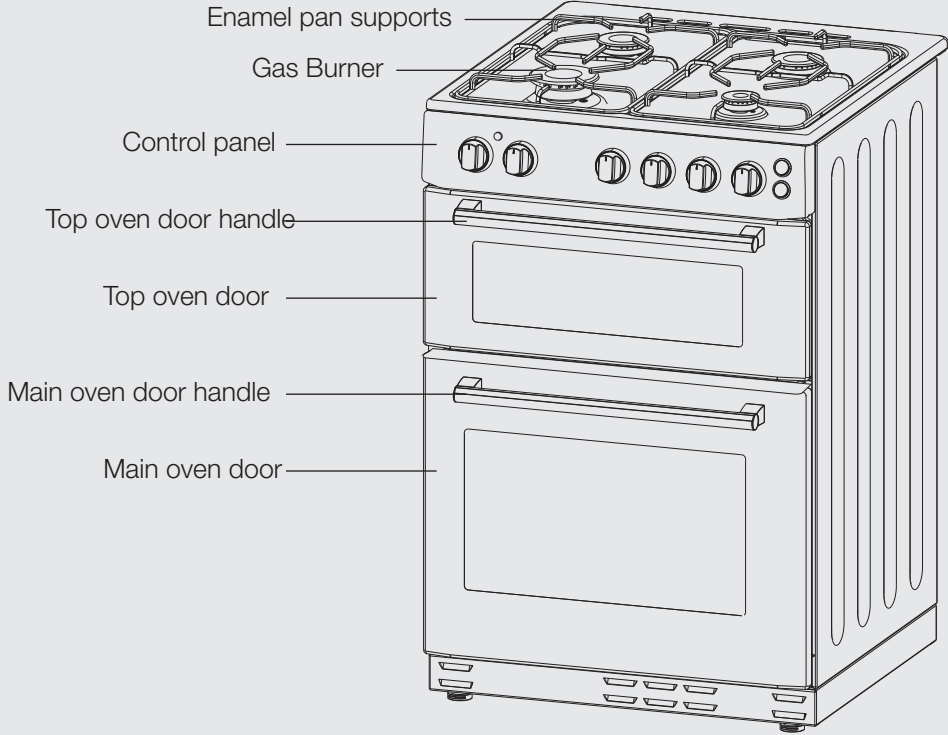
Dear Customer,
Offering quality products that meet your expectations is our goal. Our products are tested carefully to ensure their quality.
This manual is prepared in order to help you to use your appliance confidently and efficiently. Before using your appliance carefully read this guide as it includes basic information for correct and safe installation, maintenance and use. Contact your nearest authorised service agent for installation of your appliance.

DESCRIPTION OF THE OVEN

Product codes

AG56TW - AG56TB

Presentation of the Product



Warnings

READ THESE INSTRUCTIONS CAREFULLY AND COMPLETELY BEFORE USING YOUR APPLIANCE, AND KEEP IT IN A CONVENIENT PLACE FOR REFERENCE WHEN NECESSARY.

THIS MANUAL IS PREPARED FOR MORE THAN ONE MODEL IN COMMON. YOUR APPLIANCE MAY NOT HAVE SOME OF THE FEATURES THAT ARE EXPLAINED IN THIS MANUAL. PAY ATTENTION TO THE EXPRESSIONS THAT HAVE FIGURES, WHILE YOU ARE READING THE OPERATING MANUAL.

General Safety Warnings

- This appliance can be used by children aged from 8 years and above and persons with reduced physical, sensory or mental capabilities or lack of experience and knowledge if they have been given supervision or instruction concerning use of the appliance in a safe way and understand the hazards involved. Children shall not play with the appliance. Cleaning and user maintenance shall not be made by children without supervision.
- **WARNING:** The appliance and its accessible parts become hot during use. Care should be taken to avoid touching heating elements. Children less than 8 years of age shall be kept away unless continuously supervised.
- **WARNING:** Unattended cooking on a hob with fat or oil can be dangerous and may result in fire. **NEVER** try to extinguish a fire with water, but

switch off the appliance and then cover flame e.g. with a lid or a fire blanket.

- **WARNING:** Danger of fire: do not store items on the cooking surfaces.
- **WARNING:** If the surface is cracked, switch off the appliance to avoid the possibility of electric shock.
- For hobs incorporating a lid, any spillage should be removed from the lid before opening. And also the hob surface should be allowed to cool before closing the lid.
- The appliance is not intended to be operated by means of an external timer or separate remote-control system.
- **WARNING:** In order to prevent tipping of the appliance, the stabilizing brackets must be installed. (For detail information please read the anti-tilting kit set guide.)
- During use, the appliance becomes hot. Care should be taken to avoid touching heating elements inside the oven.
- During use, handles held for short periods in normal use can get hot.
- Do not use harsh abrasive cleaners or sharp metal scrapers to clean the oven door glass and

Warnings

other surface since they can scratch the surface, which may result in shattering of the glass or damage to the surface.

- Do not use steam cleaners for cleaning the appliance.

- **WARNING:** Ensure that the appliance is switched off before replacing the lamp to avoid the possibility of electric shock.

- **CAUTION:** Accessible parts may be hot when the cooking or grilling is in use. Young children should be kept away.

• Your appliance is produced in accordance with all applicable local and international standards and regulations.

• Maintenance and repair work must be made only by authorized service technicians. Installation and repair work that is carried out by unauthorized technicians may endanger you. It is dangerous to alter or modify the specifications of the appliance in any way.

• Prior to installation, ensure that the local distribution conditions (nature of the gas and gas pressure or electricity voltage and frequency) and the requirements of the appliance are compatible. The requirements for this appliance are stated on the label.

• **CAUTION:** This appliance is designed only for cooking food and is intended for indoor domestic household use only and should not be used for any other purpose or in any other application, such as for non-domestic use or in a commercial environment or room heating.

• Do not try to lift or move the appliance by pulling the door handle.

• This appliance is not connected to a combustion products evacuation device. It shall be installed and connected in accordance with current installation regulations. Particular attention shall be given to the relevant requirements regarding ventilation.

• If after 15 s the burner has not lit, stop operating the device and open the compartment door and/or wait at least 1 min before attempting a further ignition of the burner.

• These instructions are only valid if the country symbol appears on the appliance. If the symbol does not appear on the appliance, it is necessary to refer to the technical instructions which will provide the necessary instructions concerning modification of the appliance to the conditions of use of the country.

• All possible security measures have been taken to ensure your safety. Since the glass may break, you should be careful while cleaning to avoid scratching. Avoid hitting or knocking on the glass with accessories.

• Ensure that the supply cord is not wedged during the installation. If the supply cord is damaged, it must be replaced by the manufacturer, its service agent or similarly qualified persons in order to prevent a hazard.

• While the oven door is open, do not let children climb on the door or sit on it.

Installation Warnings

• Do not operate the appliance before it is fully installed.

• The appliance must be installed by an authorized technician and put into use. The producer is not responsible for any damage that might be caused by defective placement and installation by unauthorized people.

• When you unpack the appliance, make sure that it is not damaged during transportation. In case of any defect; do not use the appliance and contact a qualified service agent immediately. As the materials used for packaging (nylon, staplers, styrofoam...etc) may cause harmful effects to children, they should be collected and removed immediately.

• Protect your appliance against atmospheric effects. Do not expose it to effects such as sun, rain, snow etc.

• The surrounding materials of the appliance (cabinet) must be able to withstand a temperature of min 100°C.

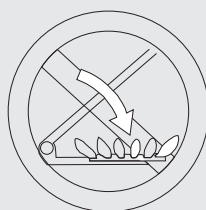
During usage

• When you first run your oven a certain smell will emanate from the insulation materials and the heater elements. For this reason, before using your oven, run it empty at maximum temperature for 45 minutes. At the same time you need to properly ventilate the environment in which the product is installed.

• During usage, the outer and inner surfaces of the oven get hot. While opening the oven door, step back to avoid the hot steam coming out of the oven. There may be a risk of burns.

Warnings

- Do not put flammable or combustible materials, in or near the appliance when it is operating.
 - Always use oven gloves to remove and replace food in the oven.
 - Do not leave the cooker while cooking with solid or liquid oils. They may catch fire on condition of extreme heating. Never pour water on to flames that are caused by oil. Cover the saucepan or frypan with its cover in order to choke the flame that has occurred in this case and turn the cooker off.
 - Always position pans over the centre of the cooking zone, and turn the handles to a safe position so they cannot be knocked or grabbed.
 - If you will not use the appliance for a long time, plug it off. Keep the main control switch off. Also when you do not use the appliance, keep the gas valve off.
 - Make sure the appliance control knobs are always in the "0" (stop) position when it is not used.
 - The trays incline when pulled out. Be careful not to let hot liquid spill over.
 - CAUTION: The use of a gas cooking appliance results in the production of heat, moisture and products of combustion in the room in which it is installed. Ensure that the kitchen is well ventilated especially when the appliance is in use, keep natural ventilation holes open or install a mechanical ventilation device (mechanical extractor hood).
 - Prolonged intensive use of the appliance may call for additional ventilation, for example opening of a window, or more effective ventilation, for example increasing the level of mechanical ventilation where present.
 - While using the grill burner, keep the oven door open and always use the grill deflector shield supplied with the product. Never use the grill burner with the oven door closed.
- CAUTION: Glass lids may shatter when heated.
Turn off all the burners before shutting the lid.
The hob surface should be allowed to cool before closing the lid.



- When the door or drawer of the oven is open, do not leave anything on it. You may unbalance your appliance or break the cover.
- Do not put heavy things or flammable or ignitable goods (nylon, plastic bag, paper, cloth...etc) into the drawer. This includes cookware with plastic accessories (e.g. handles).
- Do not hang towels, dishcloths or clothes from the appliance or its handles.

During cleaning and maintenance

- Always turn the appliance off before operations such as cleaning or maintenance. You can do it after plugging the appliance off or turning the main switches off.
- Do not remove the control knobs to clean the control panel.

TO MAINTAIN THE EFFICIENCY AND SAFETY OF YOUR APPLIANCE, WE RECOMMEND YOU ALWAYS USE ORIGINAL SPARE PARTS AND TO CALL ONLY OUR AUTHORIZED SERVICE AGENTS IN CASE OF NEED.

Installation of your oven

This modern oven was manufactured with parts and materials of the highest quality and was designed to meet your cooking needs. You should read this manual so that you are able to use the cooker correctly and to avoid any potential problems with using the cooker. The following information are the required rules for correct installation and service of your cooker. This is particularly important for the technician who will install the appliance.

CONTACT AN AUTHORISED SERVICE AGENT FOR INSTALLATION OF YOUR OVEN!

Environment where your appliance will be installed

Your oven must be set up and used in a place where it will always have ventilation.

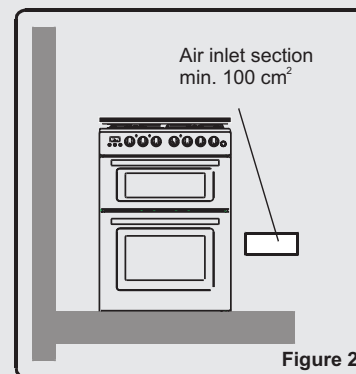
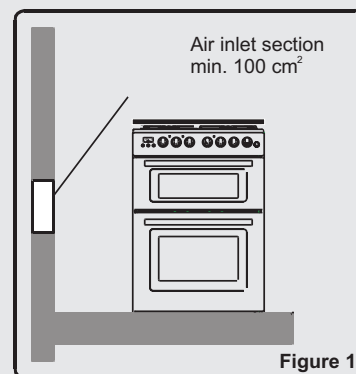
While operating, this appliance needs $2\text{m}^3/\text{h}$ air per kw input.

There must be enough natural ventilation to provide the gas to be used in the environment. The average air flow must directly come in through ventilation from the outside.

These air holes must have at least the effective cross section of 100cm^2 for fresh air circulation (One or more air holes can be opened.). Preferably they must be placed close to the bottom and at opposite side of where the cooker gas is exhausted. If it is not possible to open these ventilations in the place where the appliance is set up, the required air can also be obtained through the next room, provided that this place is not a bed room or a dangerous place. In this case this "next room" must also be ventilated as required.

Emptying of the Burned Gases from Environment

For cooking appliances that operate with gas, burned gas wastes are exhausted directly to the outside or through cooker hoods that are connected to the a chimney that opens directly to the outside. If it is not possible to install a cooker hood, it is required to set an electric fan on the window or wall that has access to fresh air. This electric fan must have the capacity to change the air of the kitchen environment 4-5 times of its own volume of air per hour.



Installation of your oven

Installation of oven

IMPORTANT - All Gas installations must be carried out by a suitably qualified person. For information on choosing a gas installer contact the 'Gas Safe Register'. For specific gas installation, refer to the separate installation guide.

The appliance can be placed close to other furniture on condition that, the furniture's height does not exceed the height of the cooker panel.

Make sure that there are no combustible or flammable materials, such as curtains, in the vicinity of the installation.

There must be at least 2cm of free space between the back wall and the rear of the appliance to allow for ventilation and air circulation.

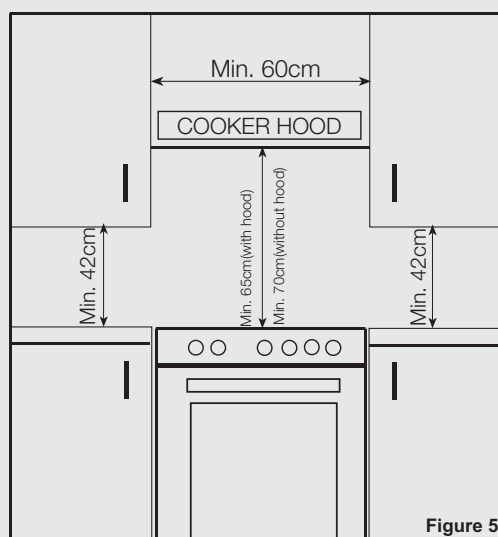
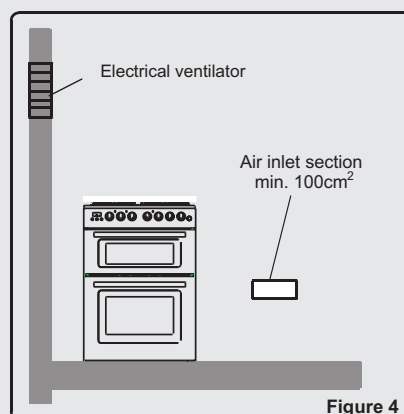
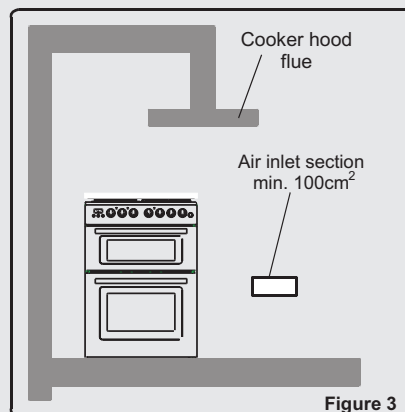
The furniture close to the oven must be manufactured resistant to temperatures up to 80°C.

If the kitchen furniture are higher than the hob plate of the oven, it must be at least 10cm away from the oven's side.

Surrounding furniture, cabinets and extractor fans should be positioned in accordance with the diagram shown in figure 5. If fitted, the extractor fan must be at least 65cm above the hob. If no fan is fitted the minimum distance between the hob and any cabinet or other structure must be 70cm.

Adjustment of feet

The height and level of the appliance can be adjusted by rotating the feet located underneath the appliance at each corner. Rotate in a clockwise direction to decrease the height and anti clockwise to increase the height.



Installation of your oven

Gas connection

Assembly of gas supply and leakage check

The connection of the appliance should be performed in accordance with local and international standards and regulations applicable. You can find the information related to appropriate gas types and appropriate gas injectors on technical data table. If the pressure of used gas is different than these values stated or not stable in your area, it may be required to assemble an available pressure regulator on the gas inlet. It is certainly required to contact to the authorized service to make these adjustments.

The points that must be checked during flexible hose assembly

If the gas connection is made by a flexible hose that is fixed on the gas inlet of appliance, it must be fixed by a pipe collar as well. Connect your appliance with a short and durable hose that is as close as possible to the gas source. The hose's permitted maximum length is 1.5m. The hose that brings gas to the appliance must be changed once a year for your safety.

The hose must be kept clear from areas that may heat up to temperatures in excess of 90°C. The hose must not be ruptured, bent or folded. It must be kept clear of sharp corners, moving things, and should not be defective. Before assembly, it must be checked whether there is any production defect.

As gas is turned on, all connection parts and hose must be checked with soapy water or leakage fluids. Do not use naked flame to check gas leakage. All metal components used during gas connection must be clear of rust. Also check the expiry dates of components to be used.

The points that must be checked during fixed gas connection assembly

To assemble a fixed gas connection (gas connection made by threads, e.g. a nut), there are different methods used in different countries. The most common parts are already supplied with your appliance. Any other part can be supplied as spare part.

During connections always keep the nut on the gas manifold fixed, while rotating the counter-part. Use spanners of appropriate size for safe connection.

For all surfaces between different components, always use the seals provided in the gas conversion kit. The seals used during connection should also be approved to be used in gas connections. Do not use plumbing seals for gas connections.

Remember that this appliance is ready to be connected to gas supply in the country for which it has been produced. The main country of destination is marked on the rear cover of the appliance. If you need to use it in another country, any of the connections in the figure below can be required. In such a case, learn the appropriate connection parts and obtain those parts to perform a safe connection.

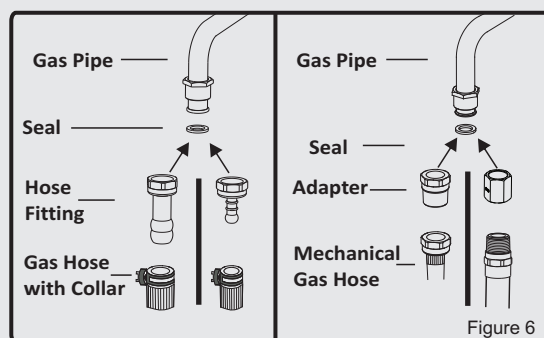


Figure 6

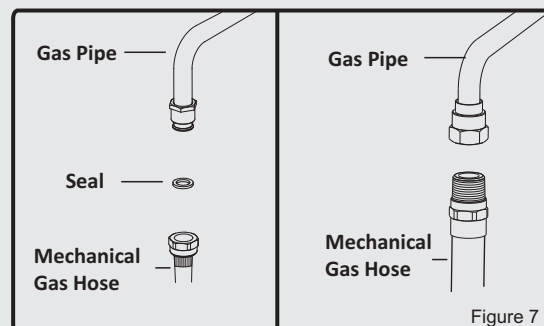


Figure 7

It is required to call the authorized service to be able to make the gas connections appropriately and in compliance with safety standards.

⚠ ATTENTION! Surely do not use any match or lighter for control of gas leakage.

Installation of your oven

Fixing the stability chain

To prevent any tilting of the appliance, and safe usage of the appliance, a stability chain should be used.

To fix the chain, unscrew the screw shown in the figure below. Then, align the first loop of the chain with the hole and assemble with the screw so that the chain stands in its place safely. Check the assembly by gently pulling the chain from the other end of the chain. Fix the other end of the chain to the rear wall as appropriate for your kitchen.

The chain is not supplied within the package of the appliance, but can be supplied from the market.

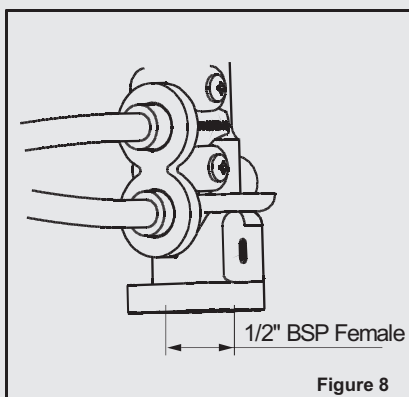


Figure 8

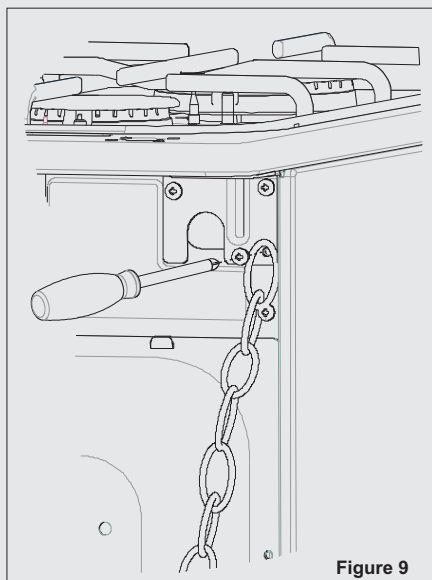


Figure 9

Electric connection and security

The earthing cable must be connected to the earth terminal.

You have to ensure the power cord with suitable insulation to be connected to the power source during the connection. If there is no appropriate earthed electric outlet in accordance with regulations in the place where the appliance will be installed, immediately contact to our authorized service. The earthed electric outlet must be close to the appliance.

Do not use an extension cord.

The power cord must not touch to the hot surface of the product.

In case the cord is damaged, contact Authorized Service to have it changed.

Any wrong electric connection may damage your appliance, as well as endangering your safety, rendering your guarantee invalid.

The appliance is adjusted for 230V 50Hz electricity. If the network electricity is different than this value, immediately contact your authorized service.

The supply cord should be kept away from hot parts of appliance. Otherwise the cord may be damaged, causing short circuit.

The producer firm declares that it has no responsibility against any kind of damages and losses that are caused by improper connections that are performed by unauthorized people.

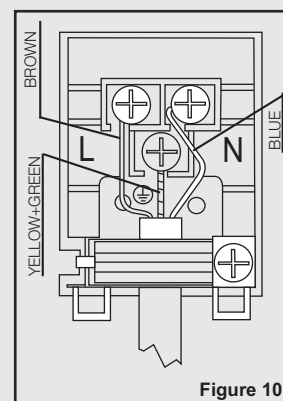


Figure 10

Installation of your oven

General warnings and measures

Your appliance is produced in accordance with the local and international standards and regulations applicable.

The maintenance and repair works must be made only by authorized service technicians. The installation and repair works without following proper knowledge may endanger you.

While your appliance operates, its outside surfaces heat up. The interior surfaces of oven, and the flue outlets are quite hot. Even if the appliance is turned off, these parts keep its heat for a specific time. Do not touch onto hot surfaces, and keep children away.

Do not leave the cooker while cooking with solid or liquid oils. They may catch fire on condition of extreme heating. Never pour water to the flames that are caused by oil. Cover the saucepan or frypan with its cover in order to choke the flame that has occurred in this case and turn the cooker off.

The oven and heat adjustment switches must be adjusted for cooking in your oven. Otherwise the oven does not operate.

When the door or drawer of oven is open do not leave anything on it . You may unbalance your appliance or break the cover.

Do not put heavy things or flammable or ignitable goods (nylon, plastic bag,paper,cloth...etc) into the lower drawer. This includes cookware with plastic accessories (e.g. handles).

Plug the appliance off the electrical network when you do not use the appliance and keep the gas valve off.

Protect your appliance against atmospheric effects. Do not leave it to effects such as sun, rain, snow, powder etc.

Remember that this appliance is designed for indoor use.

Gas conversions

Caution : The following procedures must be undertaken by authorized service personnel.

Your appliance is adjusted to be operated with LPG gas. The gas burners can be adapted to different types of gas, by replacing the corresponding injectors and adjusting minimum flame length suitable to the gas in use. For this purpose, following steps should be performed:

Changing injectors:

Hob Burners:

Cut off the feeding gas flow and electric current.

Remove the hob cap and the adapter.

Unscrew the injectors. For this, use a 7mm spanner.

Replace the injector with the ones from the spare set, with corresponding diameters suitable to the type of gas that is going to be used, according to the information chart (which is also supplied in the spare set).

Oven/Grill Injectors:

The oven and grill injectors are assembled by a single screw that is placed on the tip of the burner. For grill burners, this screw is already visible. Remove the screw, pull the grill burner to yourself and you will see the injector revealed on the rear surface of the oven cavity.

For oven burners, open the drawer compartment and you will see the assembly screw below the burner. Remove the screw, move the burner diagonally and the injector will be revealed on the rear side of the burner box.

Remove the injectors with a 7mm spanner and replace the injector with the ones from the spare set, with corresponding diameters suitable to the type of gas that is going to be used, according to the information chart (which is also supplied in the spare set).

Installation of your oven

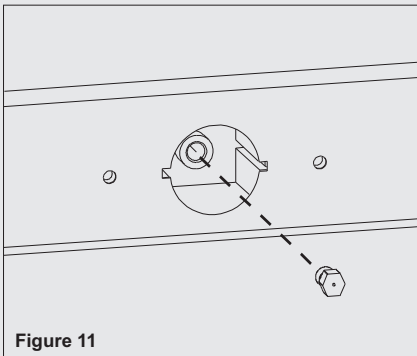


Figure 11

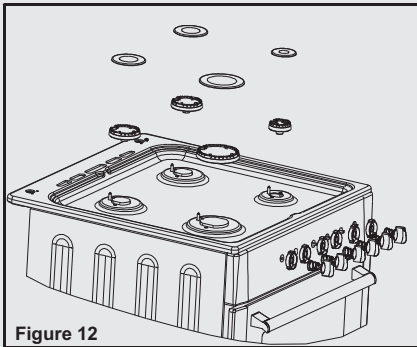


Figure 12

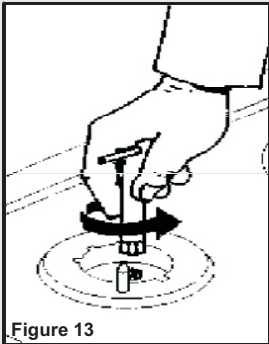


Figure 13

Adjusting The Reduced Flame Position:

The flame length in the minimum position is adjusted with a flat screw located on the valve. For valves with FFD, the screw is located on the side of the valve spindle. For valves without FFD, the screw is located inside the valve spindle. For easier reduced flame adjustment, we advise to remove the control panel (and microswitch, if present) during adjustment. The position the by pass screw must be loosened in transformation from LPG to NG. In transformation from NG to LPG, the same screw must be fastened. Make sure that the appliance is unplugged from the electric current and the gas feed is open.

To determine the min. position, ignite the burners and leave them on in minimum position. Remove the knobs because the screws are accesible only when the knobs are removed.

With the help of a small screwdriver fasten or loosen the by pass screw around 90 degrees. When the flame has a length of at least 4mm, the gas is well distributed. Make sure that the flame does not die out when passing from the maximum position to the minimum position. Create an artificial wind with your hand toward the flame to see if the flames are stable. For oven burner, operate the oven burner at min. position for 5 minutes, then open and close the oven door for 2-3 times to check the flame stability of the burner.

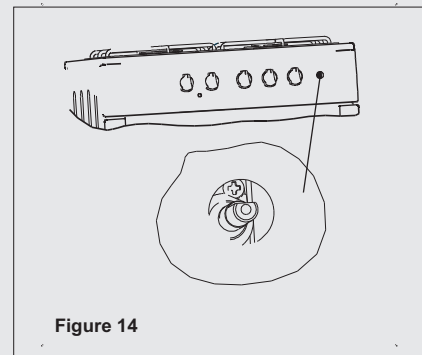


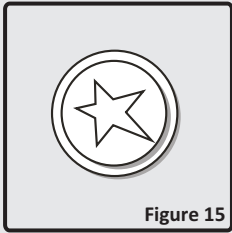
Figure 14

Changing the gas inlet:

For some countries, the gas inlet type can be different for NG/LPG gases. In such a case, remove the current connection components and nuts (if any) and connect the new gas supply accordingly. In all conditions, all components used in gas connections should be approved by local and/or international authorities. In all gas connections, refer to the "ASSEMBLY OF GAS SUPPLY AND LEAKAGE CHECK" clause explained before.

Use of your oven

Use of gas burners



Ignition of the burners

To determine which knob controls which burner, check the position symbol above the knob.

• Manual Ignition of the Gas Burners

If your appliance is not equipped with any ignition aid or in case there is a failure in the electricity network, follow the procedures listed below:

For Hob Burners: To ignite one of the burners, press and turn its knob counter-clockwise so that the knob is in max. position, approach a match, taper or another manual aid to its upper circumference. Move the ignition source away as soon as you see a stable flame.

For Oven Burners: To ignite the oven burner, press and turn the oven control knob counter-clockwise so that the knob is in max. position, approach a match, taper or another manual aid to the ignition hole that is located on the front left corner of the burner. Move the ignition source away as soon as you see a stable flame.

For Grill Burners: To ignite the grill burner, turn the grill valve in the clockwise position until the marker on the knob points at the grill sign. Then, keep the knob pressed and approach a match, taper or another manual aid to the holes that are situated on the burner. Move the ignition source away as soon as you see a stable flame.

• Ignition by Spark Button

Press the valve of the burner you want to operate and turn the valve in the counter-clockwise direction so that the knob is in max. position and with your other hand, press the ignition button at the same time. Press the ignition button immediately, because if you wait, a build up of gas may cause the flame to spread. Continue pressing the ignition button until you see a stable flame on the burner.

Flame safety device:

Hob Burners

Hobs are equipped with a flame failure device to provide security in case of an accidentally extinguished flame. If such a case occurs, the device will block the burners gas channels and will avoid any accumulation of unburned gas. Wait 90 seconds before re-igniting an extinguished gas burner.

Oven / Grill Burners

Regardless of the model of your appliance, all oven burners are equipped with a gas safety device. For this reason, during ignition, keep the oven knob pressed until you see stable flames. If the flames are cut out after you release the knob, repeat the procedure again. If the oven burner does not ignite after you keep the burner knob pressed for 30 seconds, open the oven door and do not attempt re-ignition for at least 90 seconds. When oven flames go out accidentally, repeat the same procedure.

Use of your oven

Control of the hob burners

The knob has 3 positions: Off (0), max (big flame symbol) and min (small flame symbol). After you ignite the burner in max. position; you can adjust the flame length between max. and min. positions. Do not operate the burners when the knob position is between max. and off positions.

After the ignition, check the flames visually. If you see yellow tips, lifted or unstable flames; turn the gas flow off, and check the assembly of burner caps and crowns. Also, make sure that no liquid has flown into the burner cups. If the burner flames go out accidentally, turn the burners off, ventilate the kitchen with fresh air, and do not attempt re-ignition for 90 sec.

When turning the hob off, turn the knob in the clockwise direction so that the knob shows "0" position or the marker on the knob points upwards.

Your hob has burners of different diameters. The most economic way of using gas is to choose the correct size gas burners for your cooking pan size and to bring the flame to minimum position once the boiling point is reached. It is recommended to always cover your cooking pan.

In order to obtain maximum performance from the main burners, use pots with the following flat bottom diameters. Using smaller pots than the minimum dimensions stated below will cause energy loss.

Rapid Burner: 22-26cm
Medium Burner: 14-22cm
Auxiliary Burner: 12-18cm

Make sure that the tips of the flames do not spread out of the outer circumference of the pan, as this may also harm the plastic accessories around the pan (handles etc.).

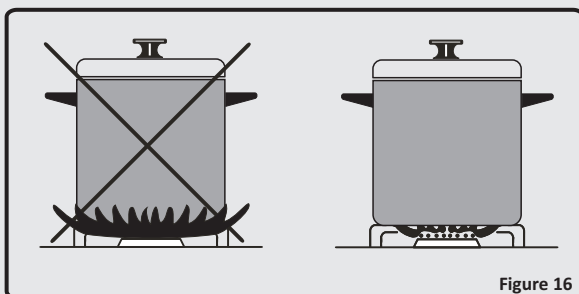


Figure 16

When the burners are not in use for prolonged periods, always turn the main gas control valve off..

WARNING:

Use only flat pans and with a sufficiently thick base. Ensure that the base of the pan is dry before placing it on the burners.

The temperature of accessible parts may be high when the appliance is operating. So it is imperative to keep children and animals out of the reach of the burners during and after cooking.

After use, the hob remains very hot for a prolonged period of time, do not touch it and do not place any object on top of the hob.

Never place knives, forks, spoons and lids on the hob as they will get hot and could cause serious burns.

Use of your oven

Control of the Oven Burner

After you ignite the oven burner as explained before, you can adjust the temperature inside the oven as you require, using the numbers on the control panel or knob ring: Bigger numbers mean higher temperatures, while smaller numbers mean lower temperatures. If your oven is equipped with an oven thermostat; refer to the temperature table below for the temperature references of those numbers. Do not operate the appliance between "Off" position and first temperature marker in the counter-clockwise direction. Always use the oven between max. and min. numbers on the serigraphy. When turning the oven off, turn the knob in the clockwise direction so that the knob shows "0" position.

Preheating

When you need to preheat the oven, we recommend you do so for 10 minutes. For recipes needing high temperatures, e.g. bread, pastries, scones, soufflés etc., best results are achieved if the oven is preheated first. For best results when cooking frozen or cooked chilled ready meals always preheat the oven first.

Cooking

Ensure that food is placed centrally on the shelf and there is sufficient room around the baking tray/dish to allow for maximum circulation.

Stand dishes on a suitably sized baking tray on the shelf to prevent spillage onto the oven base and to help reduce cleaning.

The material and finish of the baking tray and dishes used affect base browning. Enamel- ware, dark, heavy or non-stick utensils increase base browning. Shiny aluminum or polished steel trays reflect the heat away and give less base browning.

When cooking more than one dish in the oven, place dishes centrally on different shelves rather than cluster several dishes on one shelf, this will allow the heat to circulate freely for the best cooking results.

If you are cooking more than one tray of similar items, for example cakes or biscuits, swap the trays during cooking or you can remove the top tray when the food is cooked and move the lower tray to the higher shelf to finish cooking.

Do not place baking trays directly on the oven base as it interferes with the oven air circulation and can lead to base burning; use the lower shelf position.

| MAIN OVEN | |
|-----------|-----------|
| MARK | TEMP (°C) |
| S | 110°C |
| 1 | 140°C |
| 2 | 150°C |
| 3 | 170°C |
| 4 | 180°C |
| 5 | 190°C |
| 6 | 200°C |
| 7 | 220°C |
| 8 | 230°C |
| 9 | 240°C |
| Max. | 270°C |

Control of the grill burner

The grill burner can be operated with the oven door in two positions regarding your choice: completely open or partially open (30° park position).

Cooking

The grill burner can be modulated between max. and min. positions as indicated on the control panel serigraphy. When turning the grill burner off, turn the knob towards the "0" position.

Place the chrome grid on the topmost shelves; provided that the food does not touch the grill burner.

Preheat the grill on a full setting for a few minutes before sealing steaks or toasting. The food should be turned over during cooking as required.

Food should be thoroughly dried before grilling to minimize splashing. Brush lean meats and fish lightly with a little oil or melted butter to keep them moist during cooking.

Foods should be placed on the center of the grid to allow maximum circulation of air.

Never cover the grill pan or grid with foil as this can lead to grill fires.

If your appliance has a grill pan and handle set as an accessory, refer to accessories section for its usage.

WARNING!: Ensure that the grill is turned off before closing the door.

Use of your oven

Accessories used in oven

The oven comes already supplied with accessories. You can also use accessories you purchase from the market, but they must be heat and flame resistant. You can also use glass dishes, cake molds, special oven trays that are appropriate for use in oven. Pay attention to the user instructions by the manufacturer for those accessories.

In case small size dishes are used, place the dish onto the chrome grid, as it will completely be on the middle part of the grid.

If the food that will be cooked does not cover the oven tray completely, if the food is taken from the deep freezer or the tray is being used for collection of food's juices that flow during grilling, form changes can be observed in tray because of the high heat that occur during cooking or roasting. The tray will return to its old form only when the tray has cooled after cooking. This is a normal physical event that occurs during heat transfer.

Do not leave a glass tray or dish in a cold environment right away after cooking. Do not put onto cold and wet surfaces. Place on a dry kitchen cloth or dish cross, ensure it to cool slowly. Otherwise the glass tray or dish may be broken.

If you will grill in your oven; we recommend you to use the grill that was provided in tray together with product (If your product includes this material). If you will use the big wire grill; put a tray onto one of the lower shelves for oils to be collected. Also put some water into it for ease of cleaning.

As explained in the corresponding clauses, never attempt to use the gas operated grill burner without the grill protection lid. If your oven has a gas operated grill burner, but the grill protection lid is missing, or if the lid is damaged and cannot be used, request a spare lid from the nearest service.

Using the broil pan set

Warning: Always use an oven glove to protect your hand when using the grill as all the metal parts can become very hot!

The grill pan has a detachable handle. Ensure when using the grill pan handle that it is centralized and secure as given below.

Do not leave the handle in position when grilling. If the handle is left in position when grilling, it will get very hot.

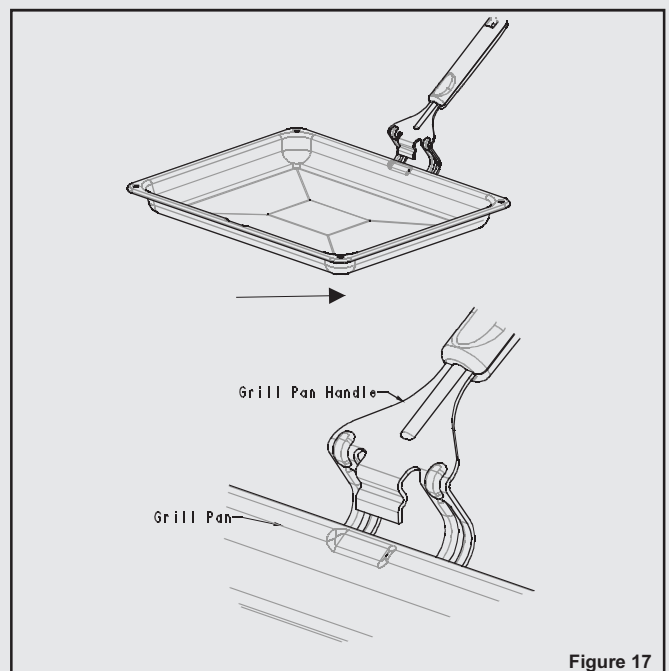


Figure 17

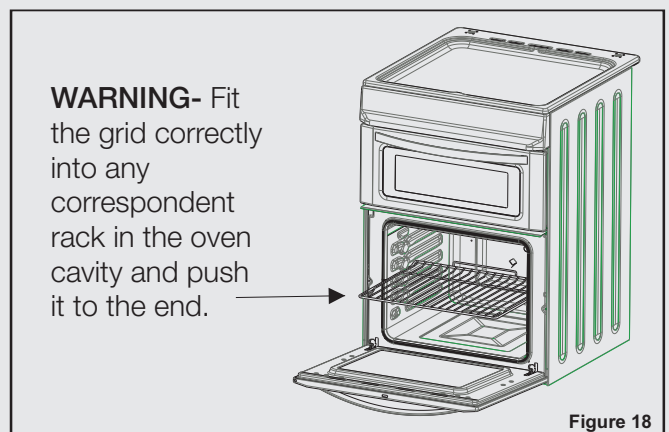


Figure 18

Cleaning and Maintenance

Cleaning

Be sure that all control switches are off and your appliance cooled before cleaning your oven. Plug off the appliance. Check whether they are appropriate and recommended by the manufacturer before using the cleaning materials on your oven. As they may damage the surfaces, do not use caustic creams, abrasive cleaning powders, thick wire wool or hard tools. In case the liquids that overflow around your oven burn, the enameled parts may be damaged. Immediately clean the overflowed liquids.

Cleaning of Inside of Your Oven

Make sure you plug off the oven before starting cleaning. The inside of an enameled oven is cleaned in the best way when the oven is warm. Wipe the oven with a soft cloth that had been soaked in soapy water after each use. Later wipe it with a wet cloth once more and then dry it. It may be required to use a liquid cleaning material from time to time and make a complete cleaning. Do not clean with dry/powder cleaners or steam cleaners.

Cleaning of Gas Cooker - Hob Part

Lift up the saucepan supports, caps and crowns of hob burners.

Wipe and clean the back panel with a soapy cloth.

Wash the caps and crowns of hob burners and rinse them. Do not leave them wet, immediately dry them with paper cloth.

After cleaning, make sure that you re-assemble the parts correctly.

Do not clean any part of the hob with metal sponge. It causes the surface be scratched.

The pan support top surfaces may be scratched in time due to usage. These parts will not get rusted and it is not a production fault.

During cleaning of the hob plate, make sure that no water flows inside the burner cups, as this may block the injectors.

Burner Caps:

Periodically, enameled pan support, enameled covers, burner heads must be washed with soapy warm water rinsed and dried. After drying them thoroughly, replace them correctly.

Enamelled Parts:

In order to keep them a new, it is necessary to clean them frequently with mild warm soapy water and then dry with cloth. Do not wash them while hot and never use abrasive powders or abrasive cleaning materials. Do not leave vinegar, coffee, milk, salt, water, lemon, or tomato juice to remain in contact with enameled parts for long periods of time.

Stainless Steel:

Stainless steel parts must be cleaned frequently with mildly warm soapy water and a soft sponge and then dry with a soft cloth. Do not use abrasive powders or abrasive cleaning materials. Do not leave vinegar, coffee, milk, salt, water, lemon or tomato juice to remain in contact with stainless steel parts long periods of time.

Maintenance

Change of Oven Lamp

At first plug the oven off from electric supply and make sure that oven is cool. Remove the bulb after removing the cover in front of lamp. Assemble the new bulb resistant to 300°C to the place of the bulb that you removed (230 V, 25 Watt, Type E14). Place the lamp protective glass. Your oven will be ready for use after this process.

Other Controls

Periodically check the gas connection pipe. Even if any simple abnormality is felt, inform the technical service to have it changed. We recommend the gas connection parts to be changed once a year. If any abnormality is felt while operating the control knobs of cooker and oven, contact to the authorized service.

Service and transport

Basic troubleshooting before contacting service

If the oven does not operate :

The oven may be plugged off, there has been a black out.

If the oven does not heat :

The heat may be not adjusted with oven's heater control switch.

If the interior lighting lamp does not light :

The electricity must be controlled. It must be controlled whether the lamps are defective. If they are defective, you can change them as following the guide.

Cooking (If lower-upper part does not cook equally):

Check the shelf locations, cooking period and heat values according to the manual.

The hob burners do not operate correctly :

Check if the burner parts are correctly assembled(especially after cleaning).

The gas supply pressure may be too low/high. For appliances working with bottled LPG, the LPG cylinder may be depleted.

Except these, if you still have any problem with your product, please call to the Authorized Service.

Information related to transport

If you need any transport; keep the original case of product and carry it with its original case when needed to be carried. Follow the transport signs on case. Tape the cooker on upper parts, caps and crowns and pan supports to the cooking panels. Place a paper between the upper cover and cooking panel, cover the upper cover, then tape it to the side surfaces of oven. Tape cardboard or paper onto the front cover on interior glass of oven as it will be suitable to the trays, for the wire grill and trays in your oven not to damage to the oven's cover during transport. Also tape the oven's covers to the side walls.

If it does not have the original case; prepare a carriage box so that the appliance, especially external surfaces (glass and painted surfaces) of oven is protected against external forces.

INJECTOR TABLE

| Total Consumption: G30 28-30 mbar 11,9 kW 865 g/h | NG | LPG |
|---|-------------|--------------------------|
| Gas Category: II2H3+ | | |
| Destination:GB Class:1 | G20 20 mbar | G30/G31 28-30/37 mbar |
| LARGE BURNER | | |
| DIA. of INJECTOR (1/100mm) | 115 | 85 |
| NOMINAL RATING (KW) | 3 | 3 |
| CONSUMPTION | 285.7 lt/h | 218,1 gr/h |
| MEDIUM BURNER | | |
| DIA. of INJECTOR (1/100mm) | 97 | 65 |
| NOMINAL RATING (KW) | 1,75 | 1,75 |
| CONSUMPTION | 166.7 lt/h | 127,2 gr/h |
| SMALL BURNER | | |
| DIA. of INJECTOR (1/100mm) | 72 | 50 |
| NOMINAL RATING (KW) | 1 | 1 |
| CONSUMPTION | 95.2 lt/h | 72,7 gr/h |
| MAIN OVEN BURNER | | |
| DIA. of INJECTOR (1/100mm) | 115 | 75 |
| NOMINAL RATING (KW) | 2,4 | 2,4 |
| CONSUMPTION | 228,6 lt/h | 174,5 gr/h |
| GRILL BURNER | | |
| DIA. of INJECTOR (1/100mm) | 110 | 70 |
| NOMINAL RATING (KW) | 2,2 | 2 |
| CONSUMPTION | 209,5 lt/h | 145,4 gr/h |

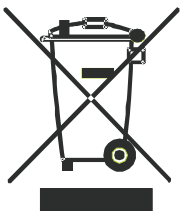
Technical Specifications

| Model/Item | AG56TW | AG56TB |
|-------------------------|----------------|----------------|
| Power supply | (230)V~/50 Hz | (230)V~/50 Hz |
| Maximum gas consumption | 12.1 kW | 12.1 kW |
| Size(H x W x D) | 900x500x600 mm | 900x500x600 mm |



We apologise for any inconvenience caused by any minor inconsistencies in these instructions, which may occur as a result of product improvement and development.

Disposal information



The symbol on the product or on its packaging indicates that this product may not be treated as household waste. Instead it shall be handed over to the applicable collection point for the recycling of electrical and electronic equipment.

By ensuring this product is disposed of correctly, you will help prevent potential negative consequences for the environment and human health, which could otherwise be caused by inappropriate waste handling of this product. For more detailed information about recycling of this product, please contact your local city office, your household waste disposal service or the shop where you purchased the product.

Guarantee



Product Guarantee

This product is guaranteed against manufacturing defects for a period of



This product is guaranteed for twelve months from the date of original purchase. Any defect that arises due to faulty materials or workmanship will either be replaced, refunded or repaired free of charge where possible during this period by the dealer from whom you purchased the unit.

The guarantee is subject to the following provisions:

- The guarantee does not cover accidental damage, misuse, cabinet parts, knobs or consumable items.
- The product must be correctly installed and operated in accordance with the instructions contained in this manual.
- It must be used solely for domestic purpose.
- The guarantee will be rendered invalid if the product is re-sold or has been damaged by inexpert repair.
- Specifications are subject to change without notice.
- The manufacturer disclaims any liability for the incidental or consequential damages.
- The guarantee is in addition to, and does not diminish your statutory or legal rights.
- In the event of a problem with the product with in the guarantee period call the Customer Helpline: 0345 257 7271.

Guarantor: Argos Ltd
489 - 499 Avebury Boulevard
Central Milton Keynes
MK9 2NW