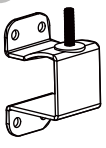











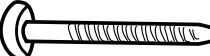





<b>A</b> 	<b>B</b> 
<b>C 1</b> M4L12 <b>x4</b> 	<b>C 2</b> M4L25 <b>x4</b> 
<b>C 3</b> M5L12 <b>x4</b> 	<b>C 4</b> M5L25 <b>x4</b> 
<b>C 5</b> M6L12 <b>x4</b> 	<b>C 6</b> M6L25 <b>x4</b> 
<b>D</b>  <b>x4</b>	<b>E</b> 
<b>F</b> 	<b>G</b>  <b>x2</b>

maybe required  
(sold separately)

-  **x4**
-  **x4**
-  **x4**
- 

Power Drill

 100x100	 Max 20kg	 13"-23"	 59mm
--	--	--	--

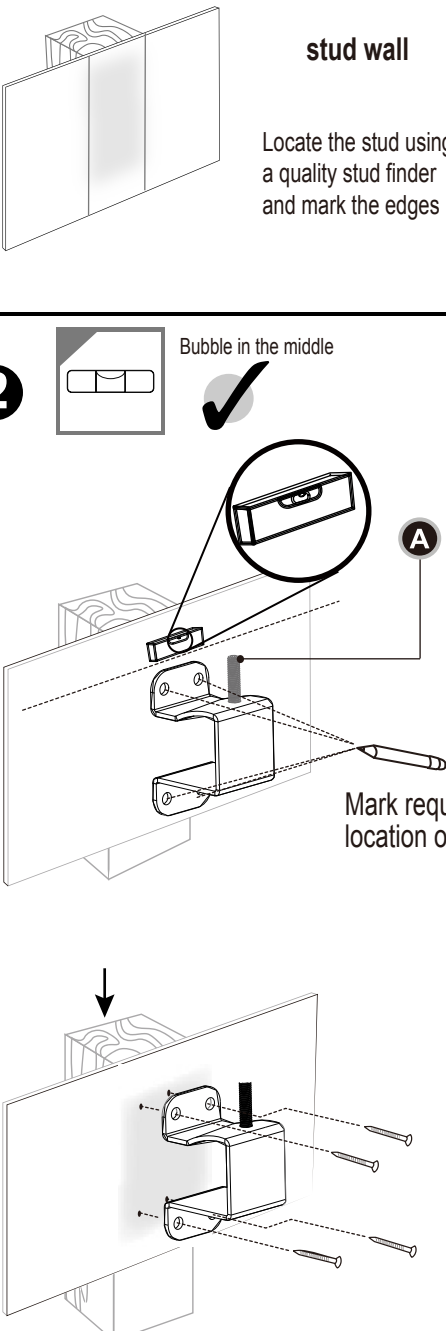
**1** stud wall

Locate the stud using a quality stud finder and mark the edges

**2** Bubble in the middle ✓

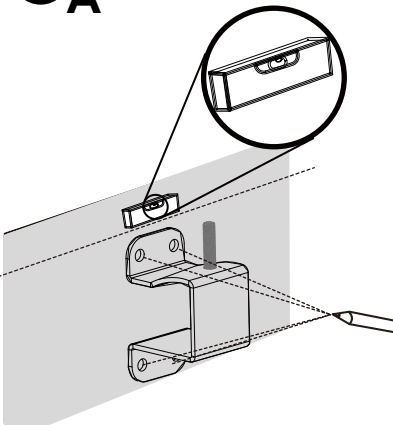
Mark required location on wall

use wood screws



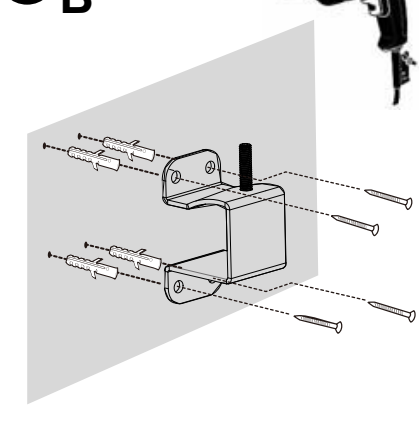
**3 A** solid wall - concrete

Mark required location on wall



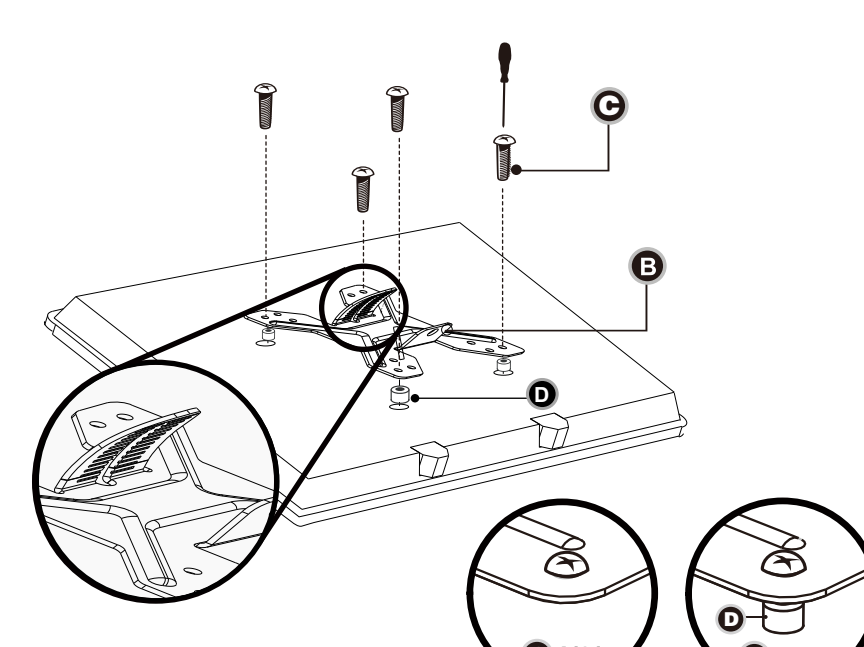
**3 B**

Drill to correct size using appropriate drill size and power drill

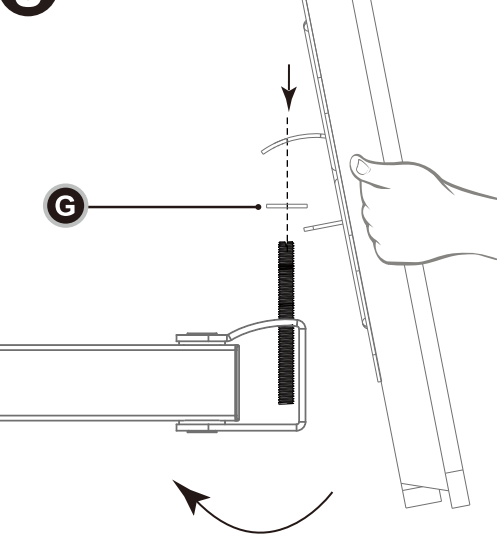


**4** Check Bolt size before installing

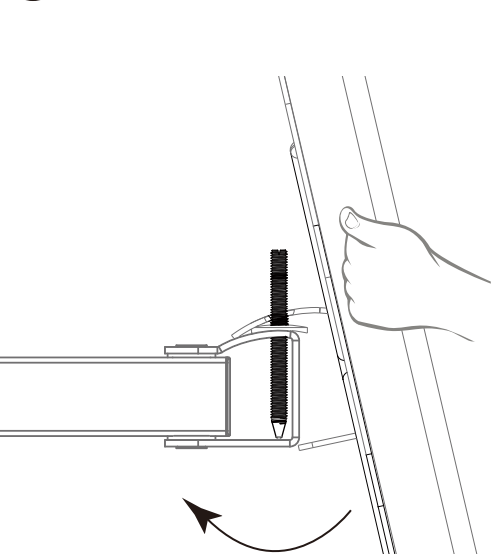
DO NOT OVERTIGHTEN



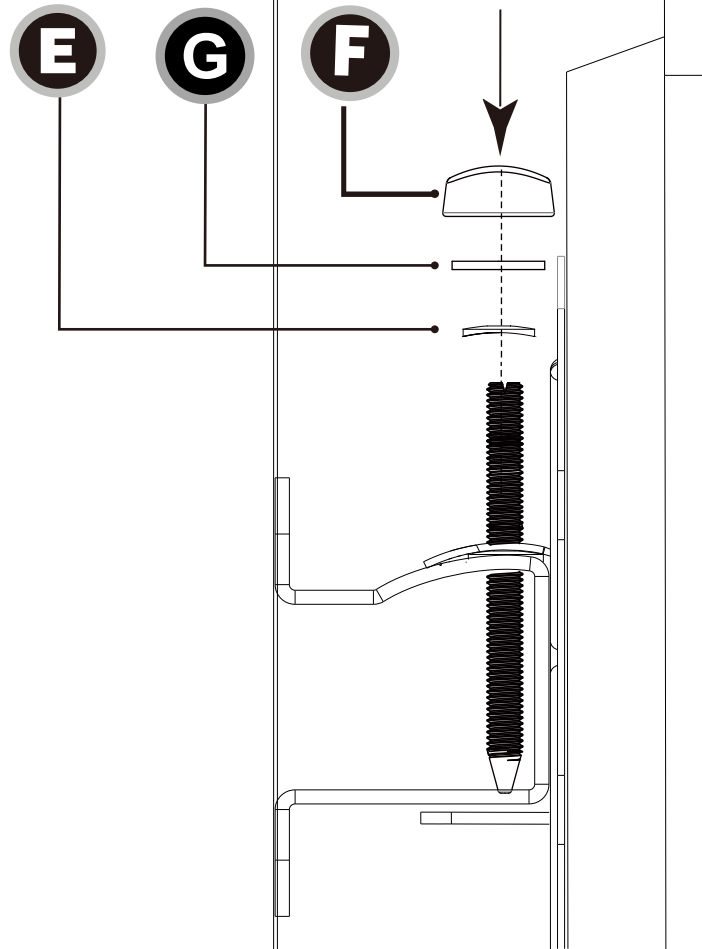
**5**



**6**



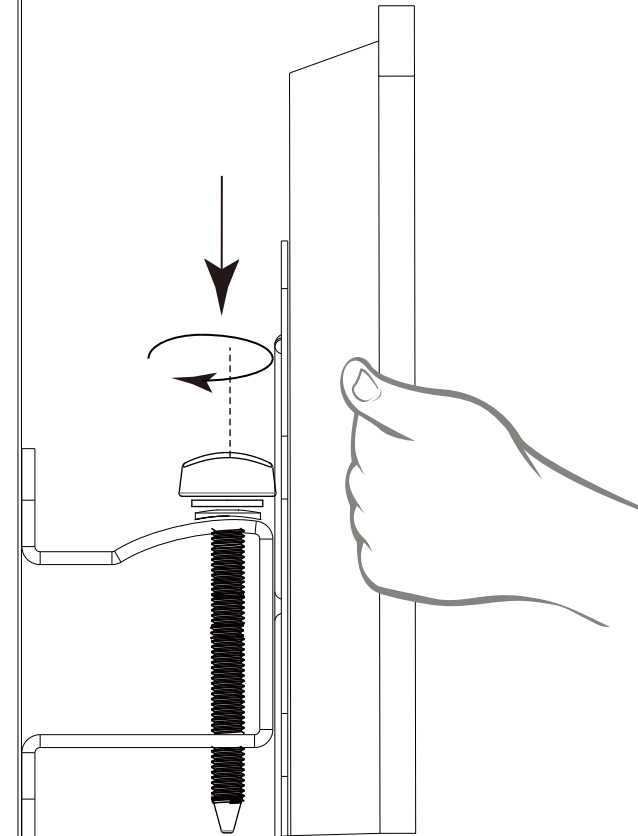
7



align above as shown  
and slide down to install

two people required

8



Re-install and tighten removed  
locking screw to secure and  
finish installation