

VEM 645 C
VRM 640 C
VRM 640 X
VRM 641 D C
VRM 641 D X
VRM 640

VRM 630 C
VRM 640 M IX
VRM 640 M C
VRM 641 MD IX
VRM 641 MD C
VRM 630 M C



GB English

Operating Instructions

HOB

Contents

Operating Instructions,1
Installation,2
Description of the appliance,5
Precautions and tips,6
Care and maintenance,7
Technical description of the models,7

FR Français

Mode d'emploi Manutenção e cuidados

TABLE DE CUISSON

Sommaire

Mode d'emploi,1
Installation,8
Description de l'appareil, 11
Précautions et conseils, 12
Nettoyage et entretien,13
Description technique des modèles,13

ES Español

Manual de instrucciones

ENCIMERA

Sumario

Manual de instrucciones,1
Instalación,14
Descripción del aparato,17
Precauciones y consejos,18
Mantenimiento y cuidados,19
Descripción técnica de los modelos,19

PT Português

Instruções para a utilização

PLANO

Índice

Instruções para a utilização,1
Instalação, 20
Descrição do aparelho,23
Precauções e conselhos,24
Manutenção e cuidados,25
Descrição técnica dos modelos,25

DE Deutsch

Bedienungsanleitung

KOCHFELD

Inhaltsverzeichnis

Bedienungsanleitung,1
Installation, 26
Beschreibung des Gerätes,29
Vorsichtsmaßregeln und Hinweise, 30
Reinigung und Pflege, 31
Technische Beschreibung der Modelle, 31

IT Italiano

Istruzioni per l'uso

PIANO COTTURA

Sommario

Istruzioni per l'uso,1
Installazione, 32
Descrizione dell'apparecchio,35
Precauzioni e consigli,36
Manutenzione e cura,37
Descrizione tecnica dei modelli,37

NL Nederland

Gebruiksaanwijzing

KOOKPLAAT

Inhoud

Gebruiksaanwijzing,1
Installatie, 38
Beschrijving van het apparaat,41
Voorzorgsmaatregelen en advies,42
Onderhoud en verzorging,43
Technische beschrijving van de modellen,43

PL Polski

Instrukcja obsługi

PŁYTA GRZEJNA

Spis treści

Instrukcja obsługi,1
Instalacja,44
Opis urządzenia,47
Zalecenia i środki ostrożności,48
Konserwacja i utrzymanie,49
Opis Techniczny,49

RS Русский

Руководство по эксплуатации

ВАРОЧНАЯ ПАНЕЛЬ

Содержание

Руководство по эксплуатации,1
Монтаж,50
Описание изделия-Панель управления,53
Предосторожности и рекомендации,54
Техническое обслуживание и уход,55
Техническое обслуживание,56

Installation

GB

! Before operating your new appliance please read this instruction booklet carefully. It contains important information concerning the safe operation, installation and maintenance of the appliance.

! Please keep these operating instructions for future reference. Pass them on to any new owners of the appliance.

Positioning

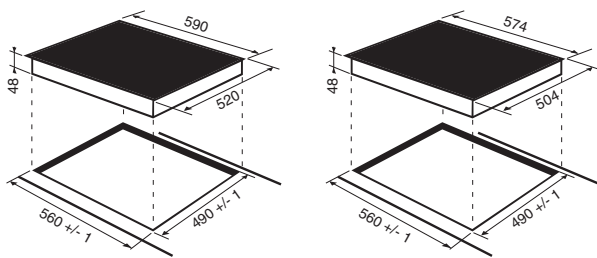
! Keep all packaging material out of the reach of children. It may present a choking or suffocation hazard (see Precautions and tips).

! The appliance must be installed by a qualified professional in accordance with the instructions provided. Incorrect installation may cause harm to people and animals or may damage property.

Built-in appliance

Use a suitable cabinet to ensure that the appliance functions properly.

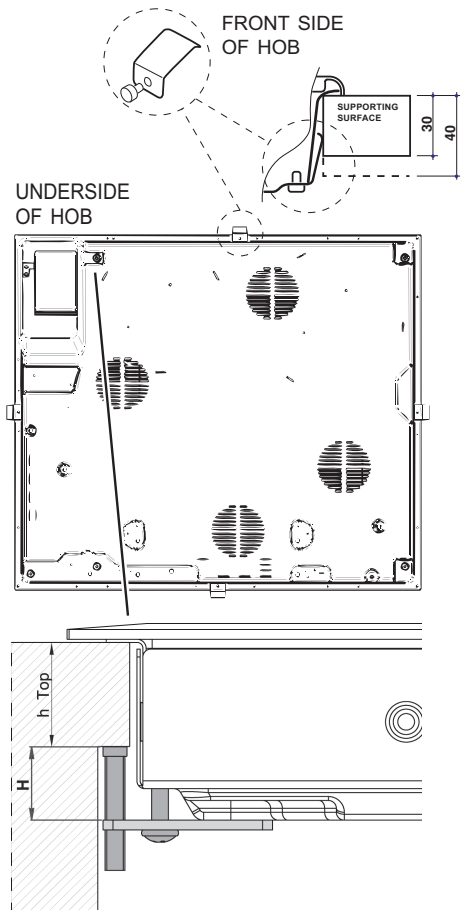
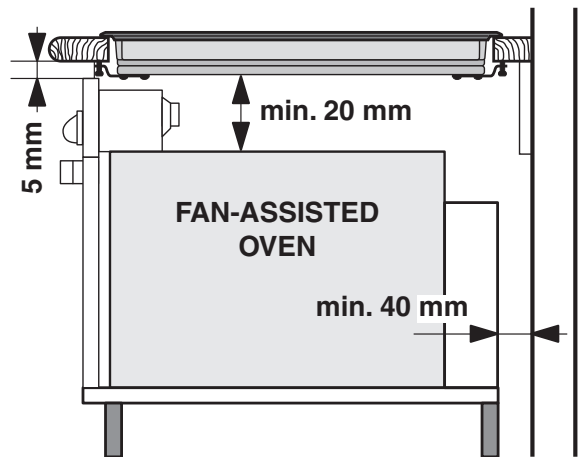
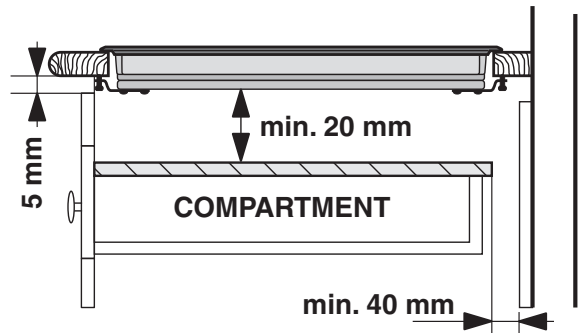
- The supporting surface must be heat-resistant up to a temperature of approximately 100°C.
- If the appliance is to be installed above an oven, the oven must be equipped with a forced ventilation cooling system.
- Avoid installing the hob above a dishwasher: if this cannot be avoided, place a waterproof separation device between the two appliances.
- Depending on the hob you want to install, the cabinet must have the following dimensions (see figure):



Ventilation

To allow adequate ventilation and to avoid overheating of the surrounding surfaces the hob should be positioned as follows:

- At a minimum distance of 40 mm from the back panel.
- So that a minimum distance of 20 mm is maintained between the installation cavity and the cabinet underneath.
- Kitchen cabinets adjacent to the appliance and taller than the top of the hob must be at least 600 mm from the edge of the hob.



Fixing

The appliance must be installed on a perfectly level supporting surface.

Any deformities caused by improper fixing could affect the features and operation of the hob.

The thickness of the supporting surface should be taken into account when choosing the length of the screws for the fixing hooks:

- 30 mm thick: 17.5 mm screws
- 40 mm thick: 7.5 mm screws

Fix the hob as follows:

1. Use short flat-bottomed screws to fix the 4 alignment springs in the holes provided at the central point of each side of the hob.
2. Place the hob in the cavity, make sure it is in a central position and push down on the whole perimeter until the hob is stuck to the supporting surface.
3. For hobs with raised sides: After inserting the hob into its cavity, insert the 4 fixing hooks (each has its own pin) into the lower edges of the hob, using the long pointed screws to fix them in place, until the glass is stuck to the supporting surface.

! The screws for the alignment springs must remain accessible.

! In order to adhere to safety standards, the appliance must not come into contact with electrical parts once it has been installed.

! All parts which ensure the safe operation of the appliance must not be removable without the aid of a tool.

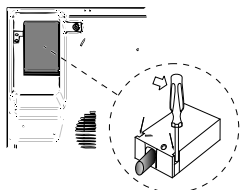
Electrical connection

! The electrical connection for the hob and for any built-in oven must be carried out separately, both for safety purposes and to make extracting the oven easier.

Terminal board

On the lower part of the appliance there is a connection box for the different types of electricity supply (the picture is only an indication and is not an exact representation of the purchased model).

UNDERSIDE OF HOB



Single-phase connection

The hob is equipped with a pre-connected electricity supply cable, which is designed for single-phase

connection. Connect the wires in accordance with the instructions given in the following table and diagrams:

Voltage and mains frequency	Electrical cable	Wire connection
220-240V 1+N ~ 50/60 Hz		⏏: yellow/green; N: the two blue wires together L: brown and black together

Other types of connection

If the mains supply corresponds with one of the following:

Voltage and mains frequency

- 400V - 2+N ~ 50/60 Hz
- 220-240V 3 ~ 50/60 Hz
- 400V - 2+2N ~ 50/60 Hz

Separate the wires and connect them in accordance with the instructions given in the following table and diagrams:

Voltage and mains frequency	Electrical cable	Wire connection
400V- 2+N ~ 50/60 Hz 220-240V 3 ~ 50/60 Hz		⏏: yellow/green; N: the two blue wires together L1: black L2: brown
400V- 2+2N ~ 50/60 Hz		⏏: yellow/green; N1: blue N2: blue L1: black L2: brown

If the mains supply corresponds with one of the following:

Voltage and mains frequency

- 400V 3 - N ~ 50/60 Hz

proceed as follows:

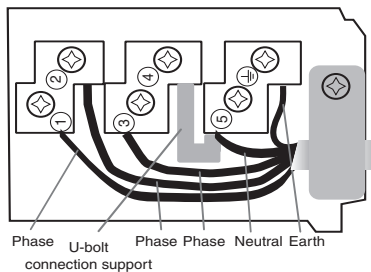
! The cable provided is not suitable for the following types of installation.

1. Use a suitable supply cable, H05RR-F or higher, with the right dimensions (cable cross section: 25 mm).
2. To open the terminal board, use a screwdriver as a lever under the side tabs of the cover (see Terminal board picture).
3. Loosen the cable clamp screw and the terminal board screws in accordance with the type of connection required and position the connection supports as shown in the following table and diagrams.
4. Position the wires in accordance with the information given in the following table and diagrams and connect the appliance by tightening all the screws for the springs as much as possible.

main frequency	Electrical connections	Terminal board
400V 3-N ~ 50/60 Hz		Three-phase 400

5. Secure the power supply cable by fastening the cable clamp screw, then put the cover back on.

Three-phase 400



Connecting the electricity supply cable to the mains

If the appliance is being connected directly to the electricity mains an

omnipolar switch must be installed with a minimum opening of 3 mm between contacts.

! The installer must ensure that the correct electrical connection has been made and that it is fully compliant with safety regulations.

Before connecting the appliance to the power supply, make sure that:

- The appliance is earthed and the plug is compliant with the law.
- The socket can withstand the maximum power of the appliance, which is indicated on the data plate located on the appliance itself.
- The voltage falls within the range of values indicated on the data plate.
- The socket is compatible with the plug of the appliance. If the socket is incompatible with the plug, ask an authorised technician to replace it. Do not use extension cords or multiple sockets.

! Once the appliance has been installed, the power supply cable and the electrical socket must be easily accessible.

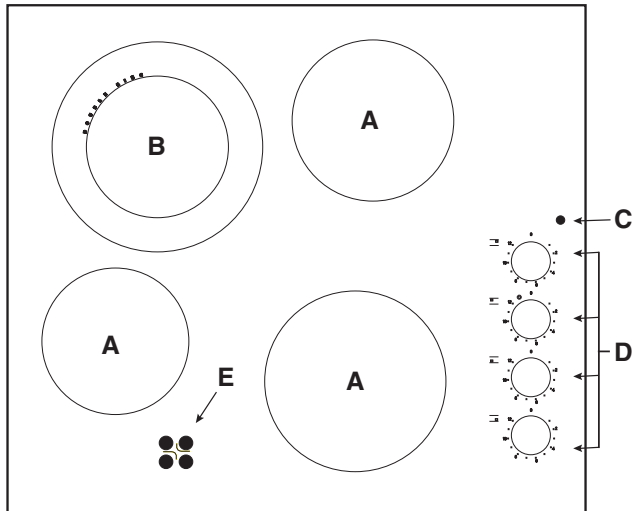
! The cable must not be bent or compressed.

! The cable must be checked regularly and replaced by authorised technicians only.

! The manufacturer declines any liability should these safety measures not be observed.

! Do not remove or replace the power supply cable for any reason. Its removal or replacement will void the warranty and the CE marking. INDESIT does not assume liability for accidents or damage arising from replacement/removal of the original power supply cable. Replacement can only be accepted when carried out by personnel authorised by INDESIT and using an original spare part.

Description of the appliance



Switching on the glass ceramic hob

Traditional cooking zones

Traditional cooking zones (A) consist of circular heating elements. They turn red approximately ten seconds after they have been switched on.

Each cooking zone is fitted with a control knob (D) which allows you to select from 12 different temperature settings between a minimum of 1 and a maximum of 12.

Extendable cooking zones

The extendable radiant elements (B) are distinguished by the fact that they have a double heating zone. You can switch the smaller internal cooking zone on its own, or both the external and internal zones.

The control knob (D) allows you to choose between two power levels, which may both be adjusted between a minimum value of 1 and a maximum of 12:

- The lowest power level can be set by turning the knob clockwise from 1 to 12.
- Turn the knob completely round (⊙), until you hear a slight click, to enable the maximum power level. This in turn can be adjusted to a value between 12 and 1 by turning the knob anticlockwise. To restore the minimum power level, turn the knob and set it back to position 0.

For double cooking zones, the first part of the knob movement activates the smaller (internal) cooking zone. To activate both (internal and external), it is necessary to turn the knob completely (⊙) and then select the desired power level between 12 and 1.

Recommended power levels for various types of cooking:

Operation indicator light (C)

This is illuminated when a heating zone has been activated.

Set.	Radiant Burner
0	Off
1	To melt butter and chocolate.
2	To heat liquids.
3	
4	For creams and sauces.
5	
6	For cooking at the boiling point.
7	
8	For roasts.
9	
10	For boiling large pieces of meat.
11	
12	For frying.
⊙	For utilising both cooking areas.

Residual heat indicator light (E)

This indicates that one or more cooking zones are at a temperature greater than 60°C, even after the cooking zones have been switched off. Some models have 4 residual heat indicator lights, one for each cooking zone.

Precautions and tips

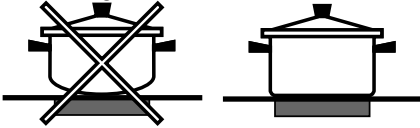
GB

! This appliance has been designed and manufactured in compliance with international safety standards. The following warnings are provided for safety reasons and must be read carefully.

Practical advice on using the appliance

In addition, to obtain the best results from your hob:

- Use pans with a thick, flat base in order to fully utilise the cooking zone.



- Always use pans with a diameter which is large enough to cover the hotplate fully, in order to use all the available heat.



- Make sure that the base of the cookware is always clean and dry, in order to fully utilise and extend the life of both the cooking zones and the cookware.
- Avoid using the same cookware which has been used on gas burners: the heat concentration on gas burners may distort the base of the pan, causing it not to adhere correctly.



This appliance conforms to the following European Economic Community directives:

- 2006/95/EEC dated 12/12/06 (Low Voltage) and subsequent amendments;
- 2004/108/EEC dated 15/12/04 (Electromagnetic Compatibility) and subsequent amendments;
- 93/68/EEC dated 22/07/93 and subsequent amendments.

General safety

! Make sure that the air inlet behind the fan grille is never obstructed. The built-in hob should, in fact, be provided with suitable ventilation for the cooling of the electronic components used in the appliance.

- The appliance was designed for domestic use inside the home and is not intended for commercial or industrial use.
- The appliance must not be installed outdoors, even in covered areas. It is extremely dangerous to leave the appliance exposed to rain and storms.
- Do not touch the appliance when barefoot or with wet or damp hands and feet.
- **The appliance must be used by adults only for the preparation of food, in accordance with the instructions outlined in this booklet. Any other use of the appliance (e.g. for heating the room) constitutes**

improper use and is dangerous. The manufacturer may not be held liable for any damage resulting from improper, incorrect and unreasonable use of the appliance.

- Do not use the hob as a worktop or chopping board.
- The glass ceramic hob is resistant to mechanical shocks, but it may crack (or even break) if hit with a sharp object such as a tool. If this happens, disconnect the appliance from the electricity mains immediately and contact a Service Centre.
- Ensure that power supply cables of other electrical appliances do not come into contact with the hot parts of the hob.
- Remember that the cooking zones remain relatively hot for at least thirty minutes after they have been switched off. An indicator light provides a warning when residual heat is present (see **Start-up and use**).
- Keep any object which could melt away from the hob, for example plastic and aluminium objects, or products with a high sugar content. Be especially careful when using plastic film and aluminium foil or packaging: if placed on surfaces which are still hot, they may cause serious damage to the hob.
- Always make sure that pan handles are turned towards the centre of the hob in order to avoid accidental burns.
- When unplugging the appliance, always pull the plug from the mains socket; do not pull on the cable.
- Never perform any cleaning or maintenance work without having disconnected the appliance from the electricity mains.
- The appliance should not be operated by people (including children) with reduced physical, sensory or mental capacities, by inexperienced individuals or by anyone who is not familiar with the product. These individuals should, at the very least, be supervised by someone who assumes responsibility for their safety or receive preliminary instructions relating to the operation of the appliance.
- Do not let children play with the appliance.
- Do not look at the halogen lamps in the cooking zones for long if they are present.



Disposal

- When disposing of packaging material: observe local legislation so that the packaging may be reused.
 - The European Directive 2002/96/EC relating to Waste Electrical and Electronic Equipment (WEEE) states that household appliances should not be disposed of using the normal solid urban waste cycle. Exhausted appliances should be collected separately in order to optimise the cost of re-using and recycling the materials inside the machine, while preventing potential damage to the atmosphere and to public health. The crossed-out dustbin is marked on all products to remind the owner of their obligations regarding separated waste collection.
- For further information relating to the correct disposal of exhausted household appliances, owners may contact the public service provided or their local dealer.

Switching the appliance off

Disconnect your appliance from the electricity supply before carrying out any work on it.

Cleaning the appliance

! Do not use abrasive or corrosive detergents (for example, products in spray cans for cleaning barbecues and ovens), stain removers, anti-rust products, powder detergents or sponges with abrasive surfaces: these may scratch the surface beyond repair.

! Never use steam cleaners or pressure cleaners on the appliance.

- It is usually sufficient simply to wash the hob using a damp sponge and dry it with absorbent kitchen towel.
- If the hob is particularly dirty, rub it with a special glass ceramic cleaning product, then rinse well and dry thoroughly.
- To remove more stubborn dirt, use a suitable scraper. Remove spills as soon as possible, without waiting for the appliance to cool, to avoid residues forming crusty deposits. You can achieve excellent results by using a rust-proof steel wire sponge - specifically designed for glass ceramic surfaces - soaked in soapy water.
- If any plastic or sugary substances are accidentally melted on the hob, remove them immediately with the scraper, while the surface is still hot.
- Once it is clean, the hob may be treated with a special protective maintenance product: the invisible film left

by this product protects the surface from drips during cooking. This maintenance task should be carried out while the appliance is warm (not hot) or cold.

- Always remember to rinse the appliance well with clean water and dry it thoroughly: residues can become encrusted during subsequent cooking processes.

Stainless steel frame (only in models with outer frame)

Stainless steel can be marked by hard water which has been left on the surface for a long time, or by cleaning products containing phosphorus.

After cleaning, it is advisable to rinse the surface well and dry it thoroughly. If water is spilt on the surface, dry it quickly and thoroughly.

! Some hobs have an aluminium frame which is similar to stainless steel. Do not use any cleaning or degreasing products which are not suitable for use with aluminium.

Disassembling the hob

If it is necessary to disassemble the hob:

1. Loosen the screws fixing the alignment springs on each side.
2. Loosen the screws holding the fixing hooks in each corner.
3. Take the hob out of its installation cavity.

! Do not attempt to repair the appliance yourself. If the appliance breaks down, contact a Service Centre.

Technical description of the models

This table provides a model-by-model list of the energy absorption values, type of heating elements and diameters of each cooking zone.

Key:

H = single highlight

HD = double highlight

A = single halogen

Hobs	VRM 641 D C VRM 641 D X VRM 641 MD IX VRM 641 MD C		VEM 645 C	
Cooking zone	Power (W)	Diameter (mm)	Power (W)	Diameter (mm)
Back Left	HD 2200/1000	210/140	A 2200	210
Back Right	H 1400	160	H 1400	160
Front Left	H 1200	145	H 1200	145
Front Right	H 1800	180	H 1800	180
Total power	6600		6600	

Hobs	VRM 640 C VRM 640 X VRM 640 VRM 640 M IX VRM 640 M C		VRM 630 C VRM 630 M C	
Cooking zone	Power (W)	Diameter (mm)	Power (W)	Diameter (mm)
Back Left	H 1800	180	H 2300	210
Back Right	H 1400	160	H 1400	160
Front Left	H 1200	145		
Front Right	H 1800	180	H 1800	180
Total power	6200		5500	

Installation

FR

! Conserver ce mode d'emploi pour pouvoir le consulter à tout moment. En cas de vente, de cession ou de déménagement, veiller à ce qu'il suive l'appareil pour informer le nouveau propriétaire sur son fonctionnement et lui fournir les conseils correspondants.

! Lire attentivement les instructions : elles contiennent des conseils importants sur l'installation, l'utilisation et la sécurité de cet appareil.

Positionnement

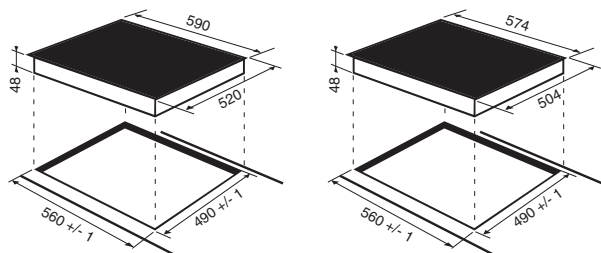
! Les emballages ne sont pas des jouets pour enfants, il faut les mettre au rebut en respectant la réglementation sur le tri sélectif des déchets (voir Précautions et conseils).

! L'installation doit être effectuée par un professionnel du secteur conformément aux instructions du fabricant. Une mauvaise installation peut causer des dommages à des personnes, des animaux ou des biens.

Encastrement

Pour garantir le bon fonctionnement de l'appareil, il faut que le meuble possède des caractéristiques bien précises :

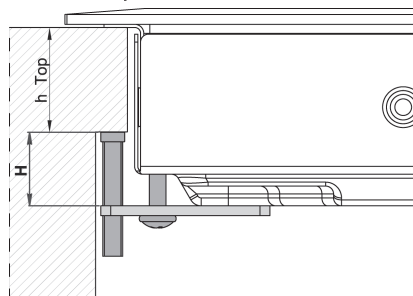
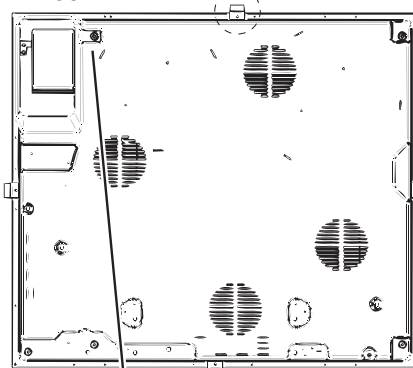
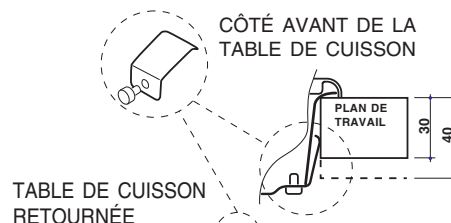
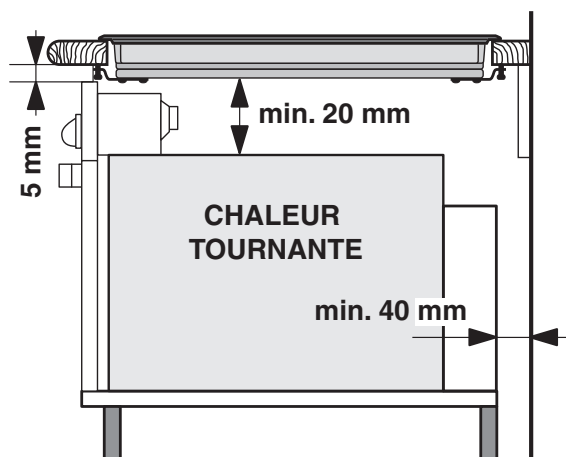
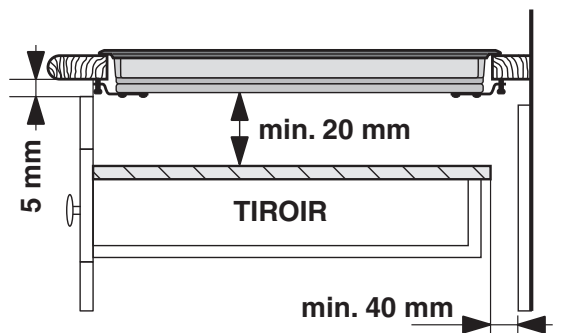
- le matériau du plan d'appui doit pouvoir résister à une température d'environ 100°C;
- en cas d'installation de la table de cuisson au-dessus d'un four, il faut que ce dernier soit équipé d'un dispositif de refroidissement par ventilation forcée ;
- éviter d'installer la table de cuisson au-dessus d'un lave-vaisselle : si c'est le cas, prévoir une séparation étanche entre les deux appareils ;
- selon la table de cuisson à installer (voir figures), la découpe du meuble doit avoir les dimensions suivantes :



Aération

Pour permettre une bonne aération et pour éviter toute surchauffe des surfaces autour de l'appareil, la table de cuisson doit être positionnée :

- à au moins 40 mm de distance du mur arrière;
- de manière à ce qu'il reste au moins 20 mm de distance entre la découpe d'encastrement et le meuble en dessous.
- Les meubles juxtant la table, dont la hauteur dépasse celle du plan de cuisson, doivent être



placés à au moins 600 mm du bord du plan.

Fixation

Il est impératif d'assurer l'encastrement de l'appareil sur un plan d'appui parfaitement plat.

Les déformations provoquées par une mauvaise fixation risquent d'altérer les caractéristiques de la table de cuisson ainsi que ses performances.

La longueur de la vis de réglage des crochets de fixation doit être réglée avant leur montage selon l'épaisseur du plan d'appui :

- épaisseur 30 mm : vis 17,5 mm;
- épaisseur 40 mm : vis 7,5 mm

Pour sa fixation, procéder comme suit :

1. Se servir des vis courtes sans pointe pour visser les 4 ressorts de centrage dans les trous prévus sur chaque côté de la table, en leur milieu;
2. insérer la table de cuisson dans la découpe prévue, bien au centre et bien appuyer tout autour du cadre pour que la table adhère parfaitement au plan d'appui.
3. pour les tables avec profils latéraux : après avoir encastré la table de cuisson dans la découpe, insérer les 4 crochets de fixation (chacun avec son goujon) sur le périmètre inférieur de la table de cuisson et visser avec les vis longues à pointe jusqu'à ce que le verre adhère bien au plan d'appui.

! Il faut absolument que les vis des ressorts de centrage soient accessibles.

! Conformément aux normes de sécurité, après encastrement de l'appareil, il ne doit plus y avoir possibilité de contact avec les parties électrifiées.

! Toutes les parties qui servent de protection doivent être fixées de manière à ne pouvoir être enlevées qu'avec l'aide d'un outil.

Raccordement électrique

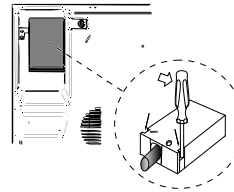
! Le branchement électrique de la table de cuisson et celui d'un éventuel four à encastrer doivent être effectués séparément, pour des raisons de sécurité électrique et pour pouvoir démonter plus facilement le four en cas de besoin.

Bornier

L'appareil est équipé, sur le dessous, d'un boîtier de raccordement à plusieurs types d'alimentation

électrique (la figure n'est qu'indicative, elle peut ne pas correspondre au modèle acheté).

TABLE DE CUISSON
RETOURNEE



Raccordement monophasé

La table est fournie déjà équipée d'un cordon d'alimentation prévu pour

raccordement monophasé. Procéder au raccordement des fils en suivant les indications du tableau et des dessins suivants :

Tension type et fréquence réseau	Cordon électrique	Raccordement fils
220-240V 1+N ~ 50/60 Hz		≡ : jaune/vert; N : les 2 fils bleus ensemble L : le marron avec le noir

Autres types de branchement

Si l'installation électrique correspond à une des caractéristiques suivantes :

Tension type et fréquence réseau

- 400V - 2+N ~ 50/60 Hz
- 220-240V 3 ~ 50/60 Hz
- 400V - 2+2N ~ 50/60 Hz

Séparer les câbles et procéder au raccordement des fils en suivant les indications du tableau et des dessins suivants :

Tension type et fréquence réseau	Cordon électrique	Raccordement fils
400V - 2+N ~ 50/60 Hz		≡ : jaune/vert; N : les 2 fils bleus ensemble L1 : noir L2 : marron
220-240V 3 ~ 50/60 Hz		≡ : jaune/vert; N1 : bleu N2 : bleu L1 : noir L2 : marron

Si l'installation électrique correspond à une des caractéristiques suivantes :

Tension type et fréquence réseau

- 400V 3 - N ~ 50/60 Hz

procéder comme suit :

! Le câble éventuellement fourni n'est pas prévu pour ces types d'installation.

1. Utiliser un câble d'alimentation approprié, type H05RR-F ou supérieur, aux dimensions adéquates (section câble : 25 mm).

2. Faire levier à l'aide d'un tournevis sur les languettes du couvercle du bornier pour l'ouvrir (voir figure Bornier).

3. Dévisser la vis du serre-câble et les vis des bornes correspondant au type de raccordement nécessaire et positionner les cavaliers de raccordement conformément aux indications du tableau et des figures ci-dessous.

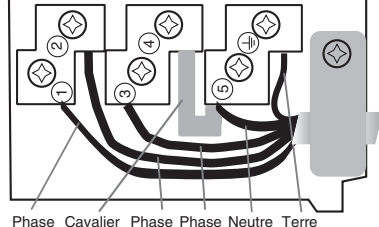
4. Positionner les fils conformément aux indications du tableau et des figures ci-dessous et procéder au raccordement en serrant à fond toutes les vis des bornes.

fréquence réseau	Raccordements électriques	Bornier
400V 3-N ~ 50/60 Hz		Triphasé 400

5. Fixer le câble d'alimentation dans le serre-câble correspondant et fermer le couvercle.

Triphasé 400

Branchement du câble d'alimentation au réseau électrique



En cas de raccordement direct au réseau, il faut intercaler entre l'appareil et le réseau un

interrupteur à coupure omnipolaire ayant au moins 3 mm d'écartement entre les contacts.

! L'installateur est responsable du bon raccordement électrique de l'appareil et du respect des normes de sécurité.

Avant de procéder au branchement, s'assurer que :

- la prise est bien munie d'une terre conforme à la loi;
- la prise est bien apte à supporter la puissance maximale de l'appareil, indiquée sur la plaque signalétique de l'appareil ;
- la tension d'alimentation est bien comprise entre les valeurs indiquées sur la plaque signalétique;
- la prise est bien compatible avec la fiche de l'appareil. Si ce n'est pas le cas, remplacer la prise ou la fiche, ne pas utiliser de rallonges ni de prises multiples.

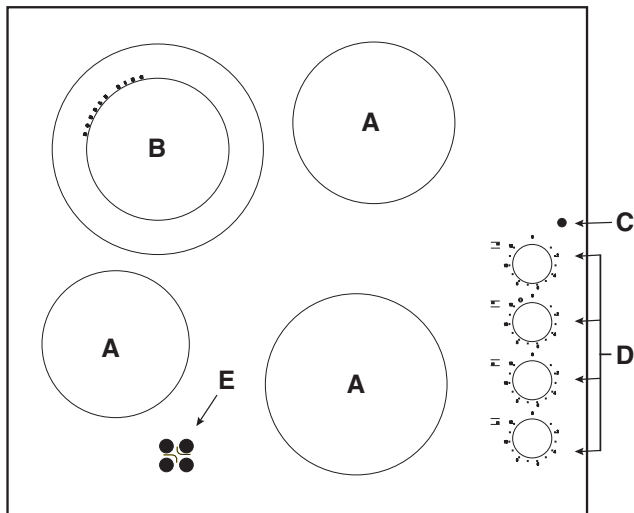
! Après installation de l'appareil, le câble électrique et la prise de courant doivent être facilement accessibles

! Le câble ne doit être ni plié ni excessivement écrasé.

! Le câble doit être contrôlé périodiquement et ne peut être remplacé que par un technicien agréé.

! Nous déclinons toute responsabilité en cas de non respect des normes énumérées ci-dessus.

! Ne retirer ou ne remplacer en aucun cas le câble d'alimentation. Toute opération d'enlèvement ou de remplacement annule automatiquement la garantie et la marque CE INDESIT décline toute responsabilité en cas d'accidents ou de dommages dérivants de l'enlèvement ou du remplacement du câble d'alimentation original. Seul le remplacement effectué par un technicien agréé INDESIT utilisant une pièce détachée originale est autorisé.



Mise sous tension de la table vitrocéramique

Foyers traditionnels

Les foyers radiants traditionnels (A) sont constitués de spires qui deviennent rouges en quelques dizaines de secondes.

Chaque foyer est équipé d'un bouton de commande (D) permettant de sélectionner 12 températures allant d'un minimum de 1 à un maximum de 12.

Foyers extensibles

Les foyers radiants extensibles (B) sont reconnaissables à la présence d'une double zone de chauffe. Vous pouvez n'allumer que la zone centrale ou les deux.

Le bouton de commande (D) permet de choisir entre deux niveaux de puissance, tous deux réglables entre un minimum de 1 et un maximum de 12 :

- pour sélectionner le niveau de puissance plus bas, tournez le bouton vers la droite de 1 à 12.
- en tournant le bouton à fond jusqu'au déclic (⊙), cette dernière peut à son tour être réglée entre 12 et 1 en tournant le bouton dans le sens inverse des aiguilles d'une montre. Pour rétablir le niveau de puissance minimum, ramenez le bouton à la position 0.

En cas de foyers double puissance, la première partie de la course active la zone de chauffe plus petite (interne).

Pour les activer toutes les deux (interne et externe), tournez le bouton à fond jusqu'à la position (⊙) et sélectionnez le niveau de puissance souhaité entre 12 et 1.

Niveaux de puissance conseillés pour les différents types de cuisson :

Le voyant de fonctionnement (C)

Il s'allume quand un foyer est activé.

Le voyant de chaleur résiduelle (E)

Il signale une température supérieure à 60 °C sur un ou plusieurs foyers et ce, même après leur extinction. Certains modèles sont équipés de 4 voyants de chaleur résiduelle, un pour chaque foyer.

Pos	Plaque automatique
0	Éteint
1	Pour faire fondre le beurre, le chocolat
2	Pour réchauffer les liquides
3	
4	Pour crèmes et sauces
5	
6	Pot au feu - Blanquette - Entremets
7	
8	Pâtes - Riz
9	
10	Steaks - Poissons - Omelettes
11	
12	Fritures
⊙	Allumage des deux zones de cuisson

Précautions et conseils

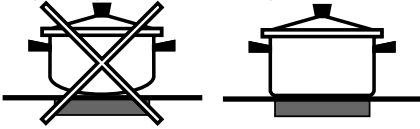
FR

! Cet appareil a été conçu et fabriqué conformément aux normes internationales de sécurité. Ces consignes de sécurité sont très importantes et doivent être lues attentivement.

Conseils d'utilisation de l'appareil

Pour obtenir de meilleures performances de la table de cuisson :

- Utiliser des casseroles à fond plat et de forte épaisseur pour qu'elles adhèrent parfaitement à la zone de chauffe



- Utiliser des casseroles dont le diamètre couvre complètement la zone de chauffe de façon à ce que toute la chaleur disponible puisse être utilisée.



- Veiller à ce que la base des casseroles soit toujours parfaitement sèche et propre pour garantir un bon contact et une longue durée de vie des foyers mais aussi des casseroles.
- Éviter d'utiliser les mêmes casseroles que sur les brûleurs à gaz. la concentration de chaleur sur les brûleurs à gaz peut déformer le fond de la casserole qui perd de son adhérence.

Cet appareil est conforme aux Directives Communautaires suivantes :

- 2006/95/CEE du 12.12.06 (Basse Tension) et modifications successives
- 2004/108/CEE du 15/12/04 (Compatibilité électromagnétique) et modifications successives
- 93/68/CEE du 22/07/93 et modifications successives.

Sécurité générale

! S'assurer que la prise d'air à travers la grille du ventilateur ne soit jamais bouchée. La table à encastrer exige en effet une bonne aération pour le refroidissement des composants électroniques.

- Cet appareil a été conçu pour un usage familial, de type non professionnel.
- Cet appareil ne doit pas être installé en extérieur, même dans un endroit abrité, il est en effet très dangereux de le laisser exposé à la pluie et aux orages.
- Ne pas toucher à l'appareil si l'on est pieds nus ou si l'on a les mains ou les pieds mouillés ou humides.
- **Cet appareil qui sert à cuire des aliments ne doit être utilisé que par des adultes conformément aux instructions du mode d'emploi. Toute autre utilisation (comme par exemple le chauffage d'une pièce) est**

impropre et donc dangereux. Le fabricant décline toute responsabilité en cas de dommages provoqués par un usage impropre ou erroné.

- Ne pas utiliser la table comme plan de dépose ou comme planche à découper.
- Le plan vitrocéramique résiste aux chocs mécaniques, il peut toutefois se fendre (ou même se briser) sous l'effet d'un choc provoqué par un objet pointu, tel qu'un ustensile par exemple. Dans ce cas, débrancher immédiatement l'appareil du réseau électrique et s'adresser à un centre d'assistance technique.
- Éviter que le cordon d'alimentation d'autres petits électroménagers touche à des parties chaudes de la table de cuisson.
- Ne pas oublier que la température des foyers reste assez élevée pendant trente minutes au moins après leur extinction. La chaleur résiduelle est aussi signalée par un voyant (voir Mise en marche et Utilisation).
- Garder à bonne distance de la table de cuisson tout objet qui pourrait fondre, des objets en plastique ou en aluminium par exemple, ou des produits à haute teneur en sucre. Faire très attention aux emballages, au film plastique et au papier aluminium : au contact des surfaces encore chaudes ou tièdes, ils risquent d'endommager gravement la table.
- S'assurer que les manches des casseroles soient toujours tournés vers l'intérieur de la table de cuisson pour éviter tout risque d'accident.
- Ne pas tirer sur le câble pour débrancher la fiche de la prise de courant.
- N'effectuer aucune opération de nettoyage ou d'entretien sans avoir auparavant débranché la fiche de la prise de courant.
- Il n'est pas prévu que cet appareil soit utilisé par des personnes (enfants compris) présentant des capacités physiques, sensorielles ou mentales réduites ou qui n'ont pas l'expérience ou les connaissances indispensables, à moins qu'elles ne le fassent sous la surveillance de quelqu'un responsable de leur sécurité ou qu'elles aient été dûment formées sur l'utilisation de l'appareil.
- S'assurer que les enfants ne jouent pas avec l'appareil.
- Si des foyers halogènes équipent votre appareil, ne les fixez pas des yeux trop longtemps.



Mise au rebut

- Mise au rebut du matériel d'emballage : se conformer aux réglementations locales, les emballages pourront ainsi être recyclés.
- La directive européenne 2002/96/CE relative aux déchets d'équipements électriques et électroniques (DEEE), prévoit que les électroménagers ne peuvent pas être traités comme des déchets solides urbains courants. Les appareils usagés doivent faire l'objet d'une collecte séparée pour optimiser le taux de récupération et de recyclage des matériaux qui les composent et empêcher tout danger pour la santé et pour l'environnement. Le symbole de la poubelle barrée est appliqué sur tous les produits pour rappeler qu'ils font l'objet d'une collecte sélective. Pour de plus amples renseignements sur la mise au rebut des électroménagers, les possesseurs peuvent s'adresser au service public prévu à cet effet ou aux commerçants.

Mise hors tension

Avant toute opération de nettoyage ou d'entretien couper l'alimentation électrique de l'appareil.

Nettoyage de l'appareil

! Ne jamais utiliser de détergents abrasifs ou corrosifs, tels que des bombes aérosols pour grilloirs et fours, des détacheurs et des anti-rouille, des poudres à récurer ou des éponges à surface abrasive : ils risquent de rayer irrémédiablement la surface.

! Ne jamais nettoyer l'appareil avec des nettoyeurs vapeur ou haute pression.

- Pour un entretien courant, passer une éponge humide sur la surface de la table et essuyer avec du papier essuie-tout.
- Si la table est particulièrement sale, frotter avec un produit d'entretien adapté au verre vitrocéramique, rincer et essuyer.
- Pour enlever les salissures en relief, utiliser un grattoir prévu à cet effet. Intervenir dès que possible, ne pas attendre que l'appareil ait refroidi afin d'éviter toute incrustation des salissures. L'utilisation d'une éponge en fil d'acier inoxydable, spéciale verre vitrocéramique, imprégnée d'eau savonneuse donne d'excellents résultats.
- Tout objet, matière plastique ou sucre ayant accidentellement fondu sur la table de cuisson doit être aussitôt enlevé à l'aide du grattoir tant que la surface est encore chaude.
- Une fois que la table est propre, elle peut être traitée avec

un produit d'entretien et de protection spécial : celui-ci forme un film invisible qui protège la surface en cas de débordement accidentel. Opérer de préférence quand l'appareil est tiède ou froid.

- Prendre soin de toujours bien rincer à l'eau claire et d'essuyer la table : les résidus des produits pourraient en effet s'incruster lors d'une prochaine cuisson.

Cadre en acier inox (uniquement pour les modèles avec encadrement)

Un contact prolongé avec une eau très calcaire ou l'utilisation de nettoyeurs contenant du phosphore peuvent tacher l'acier inox.

Nous conseillons de rincer abondamment et de bien essuyer après entretien. Il est préférable d'éliminer aussitôt tout débordement d'eau.

! Certaines tables ont un cadre en aluminium ressemblant à de l'acier inox. Ne pas utiliser de produits d'entretien et de dégraissage ne convenant pas pour l'aluminium.

Démontage de la table

aSi le démontage de la table de cuisson s'avère nécessaire :

1. enlever les vis qui fixent les ressorts de centrage sur les côtés;
2. desserrer les vis des crochets de fixation dans les coins;
3. dégager la table de cuisson du meuble.

! Il est vivement déconseillé d'essayer d'accéder aux mécanismes internes pour tenter une réparation. En cas de panne, contacter le service d'assistance technique.

Description technique des modèles

Ces tableaux indiquent, modèle par modèle, les valeurs d'absorption d'énergie, le type d'élément chauffant et le diamètre de chaque foyer.

Légende :

H = hilight simple
 HD = hilight double
 A = halogène simple

Tables de cuisson	VRM 641 D C VRM 641 D X VRM 641 MD IX VRM 641 MD C		VEM 645 C	
Foyers	Puissance (en W)	Diamètre (en mm)	Puissance (en W)	Diamètre (en mm)
Arrière gauche	HD 2200/1000	210/140	A 2200	210
Arrière droit	H 1400	160	H 1400	160
Avant gauche	H 1200	145	H 1200	145
Avant droit	H 1800	180	H 1800	180
Puissance totale	6600		6600	

Tables de cuisson	VRM 640 C VRM 640 X VRM 640 VRM 640 M IX VRM 640 M C		VRM 630 C VRM 630 M C	
Foyers	Puissance (en W)	Diamètre (en mm)	Puissance (en W)	Diamètre (en mm)
Arrière gauche	H 1800	180	H 2300	210
Arrière droit	H 1400	160	H 1400	160
Avant gauche	H 1200	145		
Avant droit	H 1800	180	H 1800	180
Puissance totale	6200		5500	

Instalación

ES

! Es importante conservar este manual para poder consultarlo en todo momento. En el caso de venta, de cesión o de mudanza, verifique que permanezca junto al aparato para informar al nuevo propietario sobre su funcionamiento y sobre las advertencias correspondientes.

! Lea atentamente las instrucciones: contienen importante información sobre la instalación, el uso y la seguridad.

Colocación

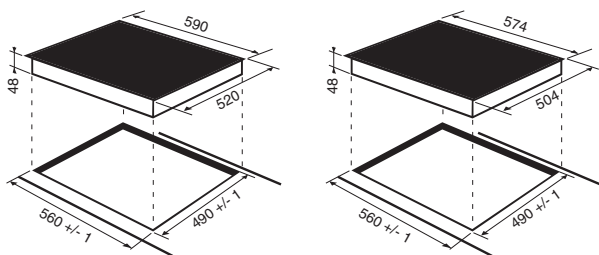
! Los embalajes no son juguetes para niños y se deben eliminar según las normas para la recolección diferenciada de desechos (ver Precauciones y consejos).

! La instalación se debe realizar siguiendo estas instrucciones y por personal profesionalmente calificado. Una instalación incorrecta puede producir daños a personas, animales o cosas.

Empotramiento

Para garantizar un buen funcionamiento del aparato es necesario que el mueble tenga las características adecuadas:

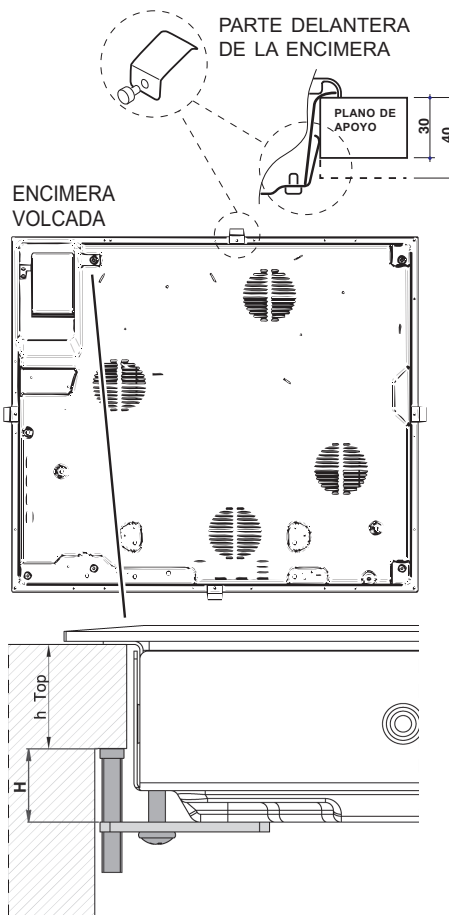
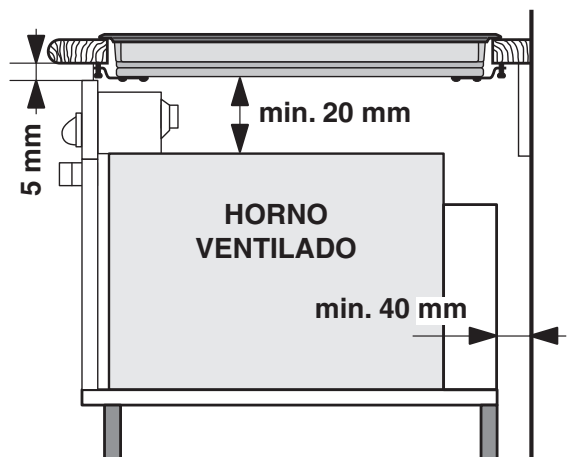
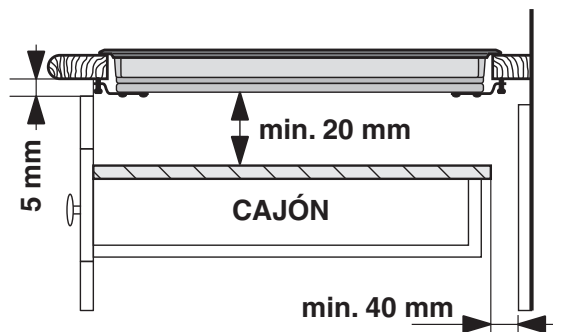
- el plano de apoyo debe ser de material resistente al calor, a una temperatura de aproximadamente 100°C;
- si se desea instalar la encimera sobre un horno, el mismo debe poseer un sistema de enfriamiento con ventilación forzada;
- evite instalar la encimera sobre un lavavajillas; pero si fuera necesario, interponga un elemento de separación estanco entre los dos aparatos;
- según el tipo de encimera que se desea instalar (ver las figuras), el espacio disponible en el mueble debe tener las siguientes dimensiones:



Aireación

Para permitir una adecuada aireación y para evitar el sobrecalentamiento de las superficies que rodean al aparato, la encimera se debe colocar:

- a una distancia mínima de 40 mm de la pared posterior;
- de modo que se mantenga una distancia mínima de 20 mm entre el hueco para el empotramiento y el mueble que se encuentra debajo.
- Los muebles situados a un costado, cuya altura



supere la de la superficie de trabajo, deben estar situados a 600 mm., como mínimo, del borde de la misma.

Fijación

La instalación del aparato se debe realizar sobre una superficie de apoyo perfectamente plana. Las deformaciones que se podrían provocar por una mala fijación, pueden alterar las características y las prestaciones de la encimera.

La longitud del tornillo de regulación de los ganchos de fijación se debe determinar antes de su montaje en base al espesor de la superficie de apoyo:

- espesor de 30 mm: tornillo de 17,5 mm;
- espesor de 40 mm: tornillo de 7,5 mm.

Para realizar la fijación, el procedimiento es el siguiente:

1. Con los tornillos cortos sin punta, enrosque los 4 muelles de centrado en los orificios ubicados en el centro de cada costado de la encimera;
2. introduzca la encimera en el hueco del mueble, céntrela y ejerza una adecuada presión sobre todo el perímetro para que se adhiera perfectamente a la superficie de apoyo.
3. en las encimeras con perfiles laterales: después de haber colocado la encimera en el mueble, introduzca los 4 ganchos de fijación (cada uno con su perno) en el perímetro inferior de la encimera enrosándolos con los tornillos largos con punta hasta que el vidrio se adhiera a la superficie de apoyo.

! Es indispensable que los tornillos de los muelles de centrado permanezcan accesibles.

! En conformidad con las normas de seguridad, una vez empotrado el aparato, no se deben producir contactos con las piezas eléctricas.

! Todas las partes que garantizan la protección se deben fijar de modo tal que no puedan ser quitadas sin la ayuda de una herramienta.

Conexión eléctrica

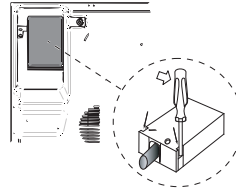
! La conexión eléctrica de la encimera y la de un horno empotrado deben ser realizadas por separado, tanto por razones de seguridad eléctrica como para facilitar las operaciones de extracción del horno.

Tablero de bornes

El aparato posee, en su parte inferior, una caja para su conexión a diferentes tipos de alimentación eléctrica (la imagen es sólo indicativa y puede no corresponder al modelo adquirido).

Conexión monofásica

ENCIMERA
VOLCADA



La encimera posee un cable de alimentación eléctrica ya conectado y preparado para la conexión monofásica. Realice la conexión de los cables de acuerdo con la tabla y los dibujos que se muestran a

continuación:

Tensión tipo y frecuencia de la red	Cable eléctrico	Conexión de los cables
220-240V 1+N ~ 50/60 Hz		⊕: amarillo/verde; N: los 2 cables azules juntos L: el marrón junto al negro

Otros tipos de conexión

Si las características de la instalación eléctrica coinciden con alguna de las siguientes:

Tensión tipo y frecuencia de la red

- 400V - 2+N ~ 50/60 Hz
- 220-240V 3 ~ 50/60 Hz
- 400V - 2+2N ~ 50/60 Hz

Separe los cables y realice la conexión de acuerdo con la tabla y los dibujos que se muestran a

continuación:

Tensión tipo y frecuencia de la red	Cable eléctrico	Conexión de los cables
400V - 2+N ~ 50/60 Hz 220-240V 3 ~ 50/60 Hz		⊕: amarillo/verde; N: los 2 cables azules juntos L1: negro L2: marrón
400V - 2+2N ~ 50/60 Hz		⊕: amarillo/verde; N1: azul N2: azul L1: negro L2: marrón

Si las características de la instalación eléctrica coinciden con alguna de las siguientes:

Tensión tipo y frecuencia de la red

- 400V 3 - N ~ 50/60 Hz

proceda de la siguiente manera:

! El cable suministrado con el aparato no se puede utilizar para estos tipos de instalación.

1. Utilice un cable de alimentación apropiado, tipo H05RR-F o de valor superior y de dimensiones adecuadas (sección del cable: 25 mm).
2. Utilizando un destornillador, haga palanca en las lengüetas de la tapa del tablero de bornes y ábrala (ver la imagen Tablero de bornes).
3. Desenrosque el tornillo de la mordaza de terminal de cable y los tornillos de los bornes correspondientes al tipo de conexión necesaria y coloque los puentes de conexión de acuerdo con la tabla y los dibujos que se muestran a continuación.

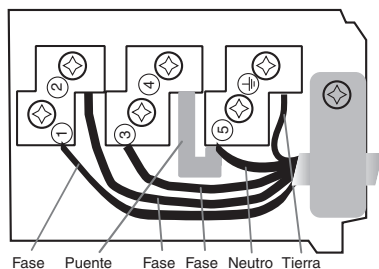
4. Coloque los cables de acuerdo con la tabla y los dibujos que se muestran a continuación y realice la conexión apretando a fondo todos los tornillos de los bornes.

frecuencia de la red	Conexiones eléctricas	Tablero de bornes
400V 3-N ~ 50/60 Hz		Trifásico 400

5. Fije el cable de alimentación en el correspondiente sujetacable y cierre la tapa.

Trifásica 400

Conexión del cable de alimentación eléctrica a la red



En el caso de conexión directa a la red, es necesario interponer entre el aparato y la red, un interruptor omnipolar con apertura mínima

entre los contactos de 3 mm.

! El instalador es responsable de la correcta conexión eléctrica y del cumplimiento de las normas de seguridad.

Antes de efectuar la conexión verifique que:

- la toma tenga conexión a tierra y que sea conforme con la ley;
- la toma sea capaz de soportar la carga máxima de potencia de la máquina indicada en la placa de características que se encuentra en el aparato;
- la tensión de alimentación eléctrica esté comprendida dentro de los valores indicados en la placa de características;
- la toma sea compatible con el enchufe del aparato. Si no es así, sustituya la toma o el enchufe; no utilice prolongaciones ni conexiones múltiples.

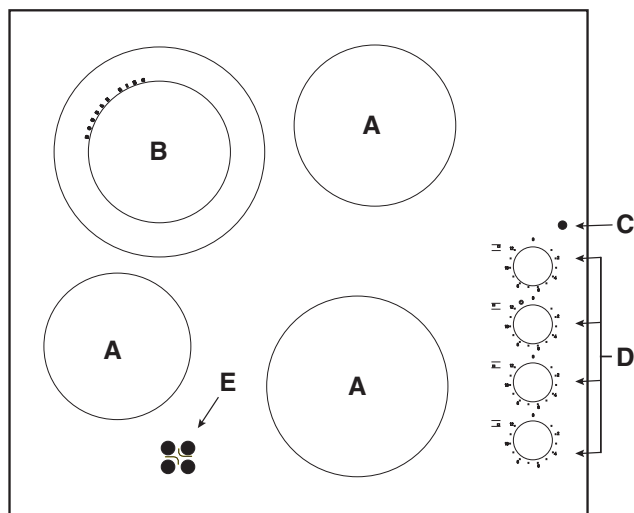
! Una vez instalado el aparato, el cable eléctrico y la toma de corriente deben ser fácilmente accesibles.

! El cable no debe sufrir pliegues ni compresiones.

! El cable debe ser revisado periódicamente y sustituido sólo por técnicos autorizados.

! La empresa declina toda responsabilidad cuando estas normas no sean respetadas.

! No quitar ni sustituir por ninguna razón el cable de alimentación. Si se sustituye o extrae caduca la garantía y la marca CE. INDESIT no se asume la responsabilidad en caso de accidentes o daños derivados de la sustitución o remoción del cable de alimentación original. Se admite exclusivamente la sustitución con un repuesto original y realizada por personal autorizado por INDESIT.



Encendido de la placa de vitrocerámica

Zonas de cocción tradicionales

Los elementos radiantes tradicionales (A) están compuestos por resistencias circulares y se vuelven rojos después de algunos segundos de su encendido. Cada zona de cocción está dotada de una perilla de mando (D) que permite seleccionar 12 temperaturas diferentes, desde un valor mínimo de 1 a uno máximo de 12.

Zonas de cocción extensibles

Los elementos radiantes extensibles (B) se pueden reconocer por la presencia de una doble zona calentadora. Es posible encender solamente la zona interna o ambas.

La perilla de mando (D) permite elegir entre dos niveles de potencia regulables desde un valor mínimo de 1 hasta un valor máximo de 12:

- Girando la perilla en sentido horario desde 1 hasta 12 se fija el nivel de potencia más bajo.
- Girando la perilla hasta el final de carrera (⊙), identificable por un ligero disparo, se activa la potencia máxima, que a su vez, se puede regular entre 12 y 1 girando la perilla en sentido antihorario. Para restablecer el valor de potencia mínimo es necesario llevar el mando hasta la posición 0.

En el caso de zonas de cocción dobles, la primera parte del recorrido activa la zona de cocción más pequeña (interna). Para activar ambas zonas (interna y externa) es necesario llevar el mando hasta la posición tope (⊙) y seleccionar el nivel de potencia deseado entre 12 y 1.

Niveles de potencia aconsejados para los distintos tipos de cocción:

Pos	Placa automática
0	Apagado
1	Para derretir manteca, chocolate
2	Para calentar líquidos
3	
4	Para cremas y salsas
5	
6	Para cocinar a temperatura de hervor
7	
8	Para asados
9	
10	Para hervir grandes cantidades de alimentos
11	
12	Para freír
⊙	Encendido de las zonas de cocina

La luz piloto de funcionamiento (C)

Está encendida cuando funciona una zona calentadora.

La luz piloto de calor residual (E)

indica que, una o varias zonas de cocción, están a una temperatura mayor que 60°C, aún después que se han apagado las zonas de cocción. Algunos modelos poseen 4 luces piloto de calor residual, una para cada zona de cocción.

Precauciones y consejos

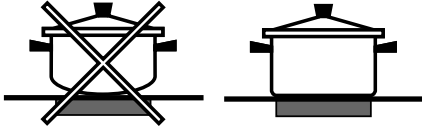
ES

! El aparato ha sido proyectado y fabricado en conformidad con las normas internacionales sobre seguridad. Estas advertencias se suministran por razones de seguridad y deben ser leídas atentamente.

Consejos prácticos para el uso del aparato

Además, para obtener las mejores prestaciones de la encimera:

- Utilice ollas con fondo plano y de gran espesor para asegurarse que se adhieran perfectamente a la zona calentadora



- Utilice ollas de un diámetro suficiente para cubrir completamente la zona de cocción, de ese modo se garantiza el aprovechamiento de todo el calor disponible.



- Verifique que el fondo de las ollas esté siempre perfectamente seco y limpio para garantizar una correcta adherencia y mayor duración, no sólo de las zonas de cocción, sino también de las ollas.
- Evite utilizar las mismas ollas utilizadas en los quemadores a gas: la concentración de calor en los quemadores a gas puede deformar el fondo de la olla que, en consecuencia, pierde adherencia.



Este aparato es conforme con las siguientes Normas Comunitarias:

- 2006/95/CEE del 12.12.06 (Baja Tensión) y sucesivas modificaciones
- 2004/108/CEE del 15/12/04 (Compatibilidad Electromagnética) y sucesivas modificaciones
- 93/68/CEE del 22/07/93 y sucesivas modificaciones.

Seguridad general

! Controle que no se obstruya nunca la toma de aire a través de la rejilla del ventilador. La encimera para empotrar necesita una correcta aireación para el enfriamiento de los componentes electrónicos.

- El aparato ha sido fabricado para un uso de tipo no profesional en el interior de una vivienda.
- El aparato no se debe instalar al aire libre, tampoco si el espacio está protegido porque es muy peligroso dejarlo expuesto a la lluvia y a las tormentas.
- No toque la máquina descalzo o con las manos y pies mojados o húmedos.
- **El aparato debe ser utilizado para cocinar alimentos, sólo por personas adultas y siguiendo las instrucciones contenidas en este manual. Cualquier otro uso (como por ejemplo: calefacción de ambientes) se debe considerar impropio y, por lo tanto, peligroso. El fabricante no puede ser considerado responsable por los daños derivados de usos impropios, erróneos e irracionales.**

- No utilice la encimera como superficie de apoyo ni como tajo de cocina.
- La encimera de vidriocerámica es resistente a los choques mecánicos, no obstante, se puede rajarse (o eventualmente quebrantarse) si es golpeada con un objeto con punta, como por ejemplo un utensilio. Si esto sucediera, desconecte inmediatamente el aparato de la red de alimentación eléctrica y llame al Servicio de Asistencia Técnica.
- Evite que el cable de alimentación eléctrica de otros electrodomésticos entre en contacto con las partes calientes de la encimera.
- No olvide que la temperatura de las zonas de cocción permanece bastante elevada durante treinta minutos, como mínimo, después que se han apagado. El calor residual también está señalado por un indicador (ver Puesta en funcionamiento y uso).
- Mantenga cualquier objeto que se pueda fundir a una debida distancia de la encimera, por ejemplo, objetos de plástico, de aluminio o productos con un elevado contenido de azúcar. Tenga particular cuidado con los embalajes y películas de plástico o aluminio: si se dejan sobre las superficies todavía calientes o tibias pueden causar un grave daño a la encimera.
- Verifique que los mangos de las ollas estén siempre dirigidos hacia dentro de la encimera para evitar que sean chocados accidentalmente.
- No desconecte el aparato de la toma de corriente tirando del cable sino sujetando el enchufe.
- No realice la limpieza o el mantenimiento sin haber desconectado primero el aparato de la red eléctrica.
- No está previsto que el aparato sea utilizado por personas (incluidos los niños) con capacidades físicas, sensoriales o mentales disminuidas, por personas inexpertas o que no tengan familiaridad con el producto, salvo que estén vigiladas por una persona responsable de su seguridad, o que no hayan recibido instrucciones preliminares sobre el uso del aparato.
- Evitar que los niños jueguen con el aparato.
- Si están presentes, no guarde mucho tiempo las zonas de cocción halógenas.



Eliminación

- Eliminación del material de embalaje: respete las normas locales, de esta manera los embalajes podrán ser reutilizados.
- La norma europea 2002/96/CE sobre la eliminación de aparatos eléctricos y electrónicos (RAEE), establece que los electrodomésticos no se deben eliminar de la misma manera que los desechos sólidos urbanos. Los aparatos en desuso se deben recoger separadamente para optimizar la tasa de recuperación y reciclaje de los materiales que los componen e impedir potenciales daños para la salud y el medio ambiente. El símbolo de la papelera tachada se encuentra en todos los productos para recordar la obligación de recolección separada. Para obtener mayor información sobre la correcta eliminación de electrodomésticos, los poseedores de los mismos podrán dirigirse al servicio público responsable o a los revendedores.

Interrumpir el suministro de corriente eléctrica

Antes de realizar cualquier operación, desconecte el aparato de la red de alimentación eléctrica.

Limpiar el aparato

! Evite el uso de detergentes abrasivos o corrosivos, como aerosoles para barbacoas y hornos, quitamanchas y productos anticorrosivos, jabones en polvo y esponjas con superficie abrasiva, pueden rayar irremediablemente la superficie.

! No utilice nunca limpiadores a vapor o de alta presión para la limpieza del aparato.

- Para un mantenimiento ordinario, es suficiente lavar la encimera con una esponja húmeda, secándola luego con un papel absorbente para cocina.
- Si la encimera está particularmente sucia, refriéguela con un producto específico para la limpieza de las superficies de vidrio-cerámica, enjuáguela y séquela.
- Para eliminar las acumulaciones de suciedad más consistentes utilice una raedera especial. Intervenga lo antes posible, sin esperar que el aparato se enfríe para evitar que los residuos formen costras. Se pueden obtener excelentes resultados usando una esponja con hilos de acero inoxidable especial para encimeras de vidrio-cerámica, embebida en agua y jabón.
- Si sobre la encimera se hubieran fundido accidentalmente objetos o materiales como plástico o azúcar, elimínelos inmediatamente con la raedera, mientras la superficie está todavía caliente.
- Una vez limpia, la encimera se puede tratar con un producto específico para el mantenimiento y la

protección: la película invisible que deja este producto protege la superficie en caso de escurrimientos durante la cocción. Se recomienda realizar estas operaciones con el aparato tibio o frío.

- Recuerde siempre enjuagar la encimera con agua limpia y secarla cuidadosamente: en efecto, los residuos de productos podrían encostrarse durante la siguiente cocción.

Estructura de acero inoxidable (sólo en los modelos con marco)

El acero inoxidable puede mancharse por la acción de agua muy calcárea dejada por un período de tiempo prolongado en contacto con el mismo o debido a productos para la limpieza con contenido de fósforo.

Se aconseja enjuagar abundantemente y secar con cuidado después de la limpieza de la encimera. Si se derramara agua, seque rápidamente y con cuidado.

! Algunas encimeras poseen un marco de aluminio que se asemeja al acero inoxidable. No utilice productos para la limpieza y el desengrase no adecuados para el aluminio.

Desmontar la encimera

Cuando sea necesario, se puede desmontar la encimera:

1. quite los tornillos que fijan los muelles de centrado en los costados;
2. afloje los tornillos de los ganchos de fijación en las esquinas;
3. extraiga la encimera del mueble.

! Se recomienda evitar acceder a los mecanismos internos para intentar una reparación. En caso de avería, llame al Servicio de Asistencia Técnica.

Descripción técnica de los modelos

En estas tablas se encuentran, modelo por modelo, los valores de absorción energética, el tipo de elemento calentador y el diámetro de cada zona de cocción.

Leyenda:

H = hilight individual

HD = hilight doble

A = halógena individual

Encimeras	VRM 641 D C VRM 641 D X VRM 641 MD IX VRM 641 MD C		VEM 645 C	
	Potencia (en W)	Diámetro (en mm)	Potencia (en W)	Diámetro (en mm)
Posterior izquierda	HD 2200/1000	210/140	A 2200	210
Posterior derecha	H 1400	160	H 1400	160
Delantera izquierda	H 1200	145	H 1200	145
Delantera derecha	H 1800	180	H 1800	180
Potencia total	6600		6600	

Encimeras	VRM 640 C VRM 640 X VRM 640 VRM 640 M IX VRM 640 M C		VRM 630 C VRM 630 M C	
	Potencia (en W)	Diámetro (en mm)	Potencia (en W)	Diámetro (en mm)
Posterior izquierda	H 1800	180	H 2300	210
Posterior derecha	H 1400	160	H 1400	160
Delantera izquierda	H 1200	145		
Delantera derecha	H 1800	180	H 1800	180
Potencia total	6200		5500	

Instalação

PT

! É importante guardar este folheto para poder consultá-lo a qualquer momento. No caso de venda, cessação ou mudança, assegure-se que o mesmo permanece com o aparelho para informar o novo proprietário sobre o funcionamento e sobre as respectivas advertências.

! Leia com atenção as instruções: há informações importantes sobre a instalação, a utilização e a segurança.

Posicionamento

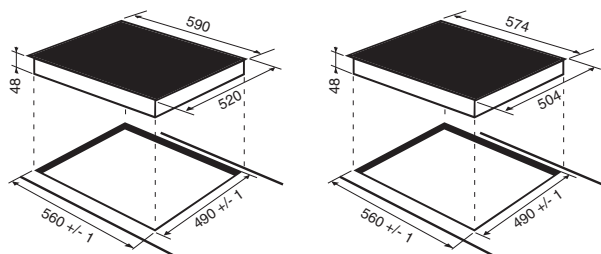
! As embalagens não são brinquedos para as crianças e devem ser eliminadas em conformidade com as regras de colecta diferenciada (veja em Precauções e Conselhos).

! A instalação deve ser realizada segundo estas instruções e por pessoal profissional qualificado. Uma instalação errada pode causar danos a pessoas, animais ou objectos.

Encaixe

Para garantir um bom funcionamento do aparelho é necessário que o móvel seja de características adequadas.

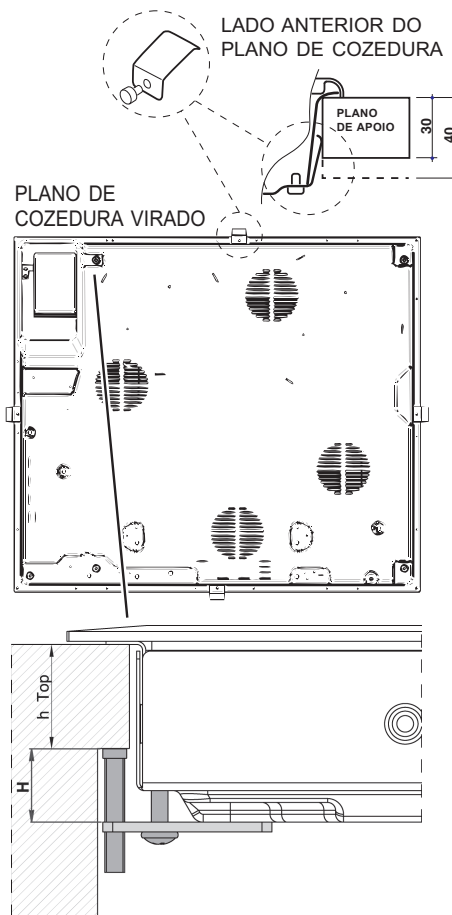
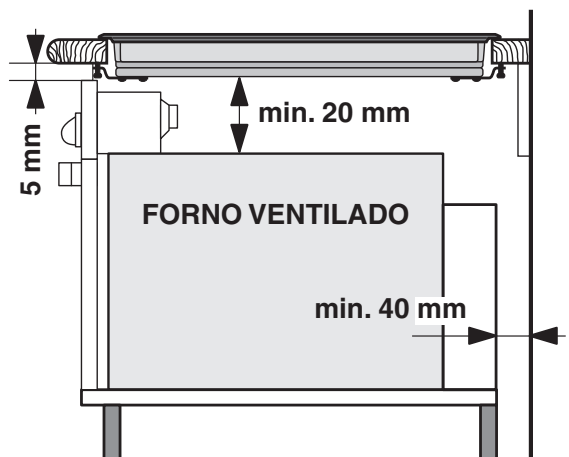
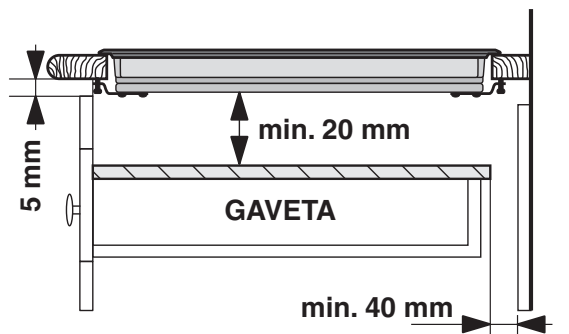
- o material do plano de apoio deve resistir a uma temperatura de aproximadamente 100°C;
- se desejar instalar o plano de cozedura sobre um forno, este deve ser equipado com de um sistema de arrefecimento com ventilação forçada;
- evite instalar o plano de cozedura sobre uma máquina de lavar louça: se for fazê-lo, instale um elemento de separação entre os dois aparelhos com retenção hermética;
- conforme o plano de cozedura que desejar instalar (veja figuras), o vão do móvel deverá ter as seguintes dimensões:



Ventilação

Para consentir uma adequada ventilação e para evitar o superaquecimento das superfícies ao redor do aparelho, o plano de cozedura deve ser posicionado:

- a uma distância mínima de 40 mm da parede de trás;
- de forma a manter uma distância mínima de 20 mm entre o vão para o encaixe e o móvel abaixo dele.
- Os móveis situados ao lado, com altura superior



aquela do plano de trabalho, devem ser situados ao menos 600 mm do bordo do mesmo plano.

Fixação

A instalação do aparelho deve ser realizada sobre uma superfície de apoio perfeitamente plana.

As deformações eventualmente provocadas por uma fixação errada poderão alterar as características e as performances do plano de cozedura.

O comprimento do parafuso de regulação dos ganchos de fixação deve ser configurado antes da sua montagem, conforme a espessura do plano de apoio:

- 30 mm de espessura: parafuso 17,5 mm;
- 40 mm de espessura: parafuso 7,5 mm.

Para a fixação proceder da seguinte maneira:

1. Com os parafusos sem ponta, parafusar as 4 molas de centragem nos furos colocados no centro de cada lado do plano;
2. introduza o plano de cozedura no vão do móvel a exercer uma adequada pressão no inteiro perímetro para o plano de cozedura prender-se perfeitamente no plano de apoio.
3. para os planos com perfis laterais: após ter inserido o plano de cozedura no móvel, inserir os 4 ganchos de fixação (cada um com o seu perno) no perímetro inferior do plano de cozedura, parafusando-os com os parafusos compridos com ponta até que o vidro fique aderente ao plano de apoio.

! É indispensável que os parafusos das molas de centragem sejam acessíveis.

! Em conformidade com as normas de segurança, depois de instalar o aparelho encaixado, não deve ser possível o contacto com componentes eléctricos.

! Todos os componentes de garantia da protecção precisam estar presos de modo que não possam ser tirados sem o emprego de uma ferramenta.

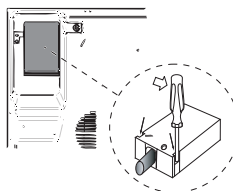
Ligação eléctrica

! A ligação eléctrica do plano de cozedura e a de um eventual forno de encaixar precisam ser realizadas separadamente, seja por razões de segurança eléctrica, seja para facilitar uma eventual remoção do forno.

Caixa de bornes

O aparelho é equipado, na parte inferior, com uma caixa para a ligação aos vários tipos de alimentação eléctrica (a imagem é indicativa e pode não corresponder ao modelo comprado).

PLANO DE COZEDURA VIRADO



Ligação monofásica

O plano está provido de cabo de alimentação já ligado e predisposto na fábrica para a ligação monofásica. Efectuar a ligação dos fios de acordo com a tabela e os desenhos a

seguir:

Tensão tipo e frequência rede	Cabo eléctrico	Ligação fios
220-240V 1+N ~ 50/60 Hz		: verde/amarelo N : os 2 fios azuis juntos L : marrom junto ao preto

Outros tipos de ligações

Se o sistema eléctrico corresponder à uma dessas características:

Tensão tipo e frequência de rede

- 400V - 2+N ~ 50/60 Hz
- 220-240V 3 ~ 50/60 Hz
- 400V - 2+2N ~ 50/60 Hz

Soltar os cabos e efectuar a ligação dos fios de acordo com a tabela e os desenhos a seguir:

Tensão tipo e frequência rede	Cabo eléctrico	Ligação fios
400V - 2+N ~ 50/60 Hz 220-240V 3 ~ 50/60 Hz		: verde/amarelo; N : os 2 fios azuis juntos L1 : preto L2 : marrom
400V - 2+2N ~ 50/60 Hz		: verde/amarelo; N1 : azul N2 : azul L1 : preto L2 : marrom

Se o sistema eléctrico corresponder à uma dessas características:

Tensão tipo e frequência de rede

- 400V 3 - N ~ 50/60 Hz

proceder da seguinte maneira:

! O eventual cabo em dotação não pode ser utilizado para estes tipos de instalação.

1. Utilizar um cabo de alimentação apropriado, tipo H05RR-F ou de valor superior, com medias adaptas (secção do cabo: 25 mm).
2. Utilize uma chave de fenda, para fazer alavanca nas linguetas laterais da tampa da caixa de bornes e abra-la (veja imagem Caixa de bornes).
3. Desatarraxe o parafuso do grampo do cabo e os parafusos dos bornes relativos ao tipo de ligação

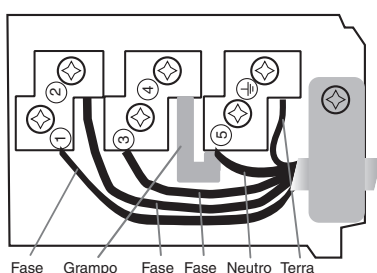
necessária e posicione os grampos de ligação conforme a tabela e os desenhos a seguir.

4. Posicione os fios de acordo com a tabela e os desenhos abaixo e efectue a ligação apertando todos os parafusos dos bornes.

Tensão tipo e frequência rede	Ligações eléctricas	Caixa de bornes
400V 3-N ~ 50/60 Hz		Trifásica 400

5. Fixe o cabo de alimentação na apropriada braçadeira e feche a tampa.

Trifásica 400



Ligação do cabo de alimentação à rede

No momento de efectuar a ligação directamente na rede, instalar entre o aparelho e a rede um interruptor omipolar com uma abertura mínima de 3 mm entre os contactos.

! O técnico instalador é responsável pela realização certa da ligação eléctrica e da obediência das regras de segurança.

Antes de efectuar a ligação, certifique-se que:

- a tomada tenha uma ligação à terra e seja em conformidade com a legislação;
- a tomada tenha a capacidade de suportar a carga máxima de potência da máquina, indicada na placa de identificação colocada no aparelho;
- a tensão de alimentação seja entre os valores da placa de identificação;
- a tomada seja compatível com a ficha do aparelho. Em caso contrário, substitua a tomada ou a ficha; não empregue extensões nem tomadas múltiplas.

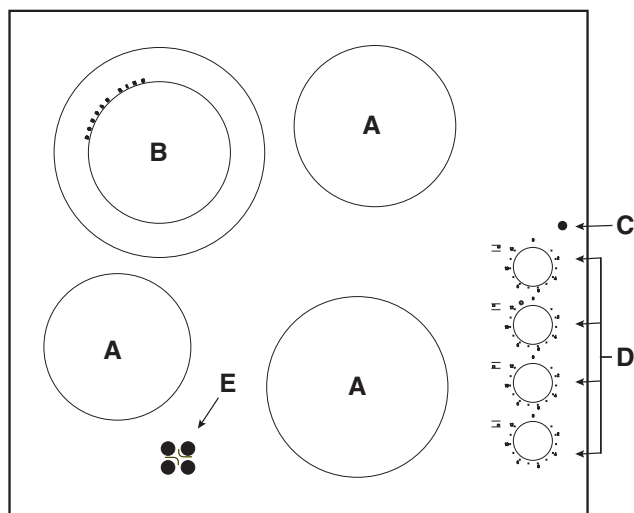
! Depois de ter instalado o aparelho, o acesso ao cabo eléctrico e à tomada da corrente deve ser fácil.

! O cabo não deve ser dobrado nem comprimido.

! O cabo deve ser verificado periodicamente e substituído somente por técnicos autorizados.

! A empresa exime-se de qualquer responsabilidade se estas regras não forem obedecidas.

! Não remover ou substituir por motivo algum o cabo de alimentação. A eventual remoção ou substituição do mesmo fará decair a garantia e a marca CE. A INDESIT exime-se de qualquer responsabilidade por incidentes ou danos derivados da substituição/remoção do cabo de alimentação original. Admite-se exclusivamente a substituição com uma peça de reposição original, efectuada por pessoal autorizado INDESIT.



Acender a placa de vitrocerâmica

Zonas de cozedura tradicionais

Os elementos radiantes tradicionais (A) são constituídos por resistências circulares e tornam-se vermelhos somente algumas dezenas de segundos depois de acessos.

Cada zona de cozedura é equipada com um botão de comando (D) que possibilita seleccionar 12 temperaturas diferentes, desde um valor mínimo de 1 até 12 no máximo.

Zonas de cozedura extensíveis

Os elementos radiantes extensíveis (B) podem ser reconhecidos pela presença de uma zona aquecedora dupla. É possível acender somente a zona mais interna ou então ambas.

O selector de comando (D) possibilita escolher entre dois níveis de potência, ambos reguláveis desde um valor mínimo de 1 até 12 no máximo:

- rodando o selector na direcção dos ponteiros do relógio desde 1 até 12 regula-se o nível de potência mais baixo.
- rodando o selector até a posição final (☉), identificável por um leve 'clique', activa-se a potência máxima que, também esta, pode ser regulada de 12 até 1 rodando o selector na direcção contrária aos ponteiros do relógio. Para voltar ao valor de potência mínima será necessário colocar novamente o selector na posição 0.

No caso de zonas de cozedura duplas, a primeira parte do percurso activa a zona de cozedura menor (interna). Para activá-las ambas (a interna e a externa) será necessário colocar o selector na posição final (☉) e seleccionar o nível de potência que desejar, entre 12 e 1.

Níveis de potência aconselhados para os vários tipos de cozedura:

Pos.	Chapa irradiadora
0	Apagada
1	Para derreter manteiga, chocolate
2	Para aquecer líquidos
3	
4	Para nata e molhos
5	
6	Para cozer com temperatura de fervura
7	
8	Para assar
9	
10	Para grandes cozidos
11	
12	Para fritar
☉	Funcionamento com ambas as zonas de cozedura

O indicador luminoso de funcionamento (C)

estará aceso quando uma zona de aquecimento estiver a funcionar.

O indicador luminoso de calor residual (E)

Indica que uma ou mais zonas de cozedura estão com uma temperatura superior aos 60°C mesmo depois de desligadas. Alguns modelos dispõem de 4 indicadores luminosos de calor residual, uma para cada zona de cozedura.

Precauções e conselhos

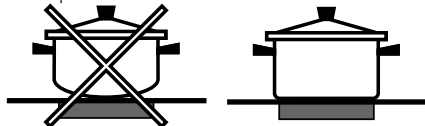
PT

! Este aparelho foi projectado e fabricado em conformidade com as normas internacionais de segurança. Estas advertências são fornecidas por razões de segurança e devem ser lidas com atenção.

Conselhos práticos para utilizar esta aparelhagem

Para obter as melhores performances do plano de cozedura:

- Empregue panelas com fundo chato e elevada espessura, para ter a certeza que haverá uma perfeita aderência à zona de aquecimento.



- Empregue panelas com diâmetro suficiente para cobrir inteiramente a zona de aquecimento, de maneira que se aproveite inteiramente o calor disponível.



- Certifique-se que o fundo das panelas esteja sempre perfeitamente enxuto e limpo, para assegurar uma aderência certa e uma longa durabilidade não somente das zonas de cozedura, mas também das próprias panelas.
- Evite utilizar as mesmas panelas que emprega nos queimadores a gás: a concentração de calor nos queimadores a gás poderá deformar o fundo das panelas, que desta maneira perderá aderência.



Este aparelho é em conformidade com as seguintes Directivas da Comunidade Europeia:

- 2006/95/CEE de 12.12.06 (Baixa Tensão) e posteriores modificações
- 2004/108/CEE de 15/12/04 (Compatibilidade Electromagnética) e posteriores modificações
- 93/68/CEE de 22/07/93 e posteriores modificações.

Segurança geral

!Controlar que a tomada de ar através da grelha do ventilador não esteja obstruída. O plano de encaixar, de facto, necessita de uma correcta ventilação para o arrefecimento dos componentes electrónicos.

- Este aparelho foi concebido para utilização de tipo não profissional no âmbito de moradas.
- Este aparelho não deve ser instalado ao ar livre, mesmo num sítio protegido, porque é muito perigoso deixá-lo exposto a chuva e temporais.
- Não toque na máquina se estiver descalço, ou se as suas mãos ou pés estiverem molhados ou húmidos.
- **O aparelho deve ser utilizado para cozinhar alimentos, somente por pessoas adultas e conforme as instruções contidas neste livrete. Qualquer outro uso (como por exemplo, aquecedor de ambientes) deve ser considerado impróprio e portanto perigoso. O fabricante não pode ser considerado responsável por eventuais danos derivados de usos impróprios, errados e irrazoáveis.**

- Não utilize o plano como superfície de apoio ou como tábua de cortar.
- A placa de vitrocerâmica é resistente às batidas mecânicas, entretanto pode rachar-se (ou eventualmente partir-se) se for batida com um objecto pontiagudo, como um utensílio. Nestes casos, desligue imediatamente o aparelho da rede de alimentação e contacte a assistência técnica.
- Evite que o cabo de alimentação de outros electrodomésticos encoste-se em partes quentes do plano de cozedura.
- Não se esqueça que a temperatura das zonas de cozedura permanece muito alta pelo menos trinta minutos depois de apagadas. O calor residual é sinalizado também por um indicador (veja Início e utilização).
- Mantenha a devida distância da placa quaisquer objectos que podem se derreter, por exemplo, objectos de plástico, de alumínio ou produtos com um alto conteúdo de açúcar. Preste muita atenção com as embalagens e as películas de plástico ou alumínio: se deixá-los sobre as superfícies enquanto ainda estiverem quentes ou mornas, podem causar um dano grave à placa.
- Certifique-se que as pegas das panelas fiquem sempre viradas para o lado interno do plano de cozedura para evitar batidas acidentais.
- Não puxe pelo cabo para desligar a ficha da tomada eléctrica, pegue pela ficha.
- Não realize limpeza nem manutenção sem antes ter desligado a ficha da rede eléctrica.
- Não é previsto que este aparelho seja utilizado por pessoas (inclusive crianças) com reduzidas capacidades físicas, sensoriais ou mentais, por pessoas inexperientes ou que não tenham familiaridade com o produto, a não ser que seja vigiadas por uma pessoa responsável pela sua segurança ou que tenham recebido instruções preliminares sobre o uso do aparelho.
- Não permita que as crianças brinquem com o aparelho.
- Caso haja zonas de cozedura halógenas, não olhe para elas por muito tempo.



Eliminação

- Eliminação do material de embalagem: obedeça as regras locais, de maneira que as embalagens possam ser reutilizadas.
- A directiva Europeia 2002/96/CE relativa aos resíduos de equipamentos eléctricos e electrónicos (REEE) prevê que os electrodomésticos não devem ser eliminados no normal fluxo dos resíduos sólidos urbanos. Os aparelhos não mais utilizados devem ser recolhidos separadamente para otimizar a taxa de recuperação e reciclagem dos materiais que os compõem e impedir potenciais danos à saúde e ao meio ambiente. O símbolo da lixeira cancelada está indicado em todos os produtos para lembrar o dever de colecta selectiva. Para maiores informações sobre a correcta eliminação dos electrodomésticos, os proprietários poderão contactar o serviço de colecta público ou os revendedores.

Desligar a corrente eléctrica

Antes de realizar qualquer operação, desligue o aparelho da alimentação eléctrica.

Limpeza do aparelho

! Evite o emprego de detergentes abrasivos ou corrosivos, tais como sprays para churrasqueiras e fornos, tira-manchas e produtos contra ferrugem, detergentes em pó e esponjas com superfície abrasiva: podem arranhar irremediavelmente a superfície.

! Nunca utilize equipamento de limpeza a vapor ou de alta pressão para limpar a aparelhagem.

- Para a manutenção ordinária, é suficiente lavar o plano com uma esponja húmida e, em seguida, enxugar com papel absorvente de cozinha.
- Se o plano estiver muito sujo, esfregue com um produto específico para limpeza de superfícies em vidro cerâmica*, enxágue e enxugue.
- Para tirar as acumulações de sujidade maiores, use uma espátula apropriada. Intervenha assim que possível, sem aguardar que o aparelho arrefeça, para evitar que resíduos grudem. Podem ser obtidos excelentes resultados se usar uma esponja especial de fios de aço inoxidável - específica para planos em vidro cerâmica-molhada de água e sabão.
- No caso em que no plano de cozedura tenham-se acidentalmente fundidos objectos ou materiais como plástico ou açúcar, remova-os imediatamente com a espátula, até que a superfície esteja ainda quente.
- Depois de limpo, o plano poderá ser tratado com um produto específico para a manutenção e a protecção: a

película invisível deixada por este produto protegerá a superfície se algo for derramado durante a cozedura. É recomendável realizar estas operações com o aparelho morno ou frio.

- Lembre-se sempre de enxaguar com água limpa e enxugar o plano com cuidado: para não acontecer de resíduos de produtos grudarem-se na sucessiva cozedura.

Quadro em aço inoxidável (somente nos modelos com moldura)

O aço inoxidável pode manchar-se por causa da alta quantidade de calcário na água em contacto durante muito tempo com o metal, ou por causa de produtos de limpeza muito agressivos que contenham fósforo.

É aconselhável enxaguar com água abundante e enxugar com cuidado, depois de ter limpado o plano. Se for derramada água, enxugue-a rapidamente com cuidado.

! Alguns planos de cozedura tem uma moldura de alumínio parecida com o aço inoxidável. Não utilize produtos para a limpeza e o desgorduramento não idóneos para o alumínio.

Desmontar o plano

Caso seja necessário desmontar o plano de cozedura:

1. remova os parafusos que fixam as molas de centragem nos lados;
2. solte os parafusos dos ganchos de fixação nos ângulos;
3. extraia o plano de cozedura do vão do móvel.

! Recomendamos que se evite tentar o acesso aos mecanismos internos para tentar uma reparação. Em caso de avaria, contactar a Assistência técnica.

Descrição técnica dos modelos

Nestas tabelas estão indicados, modelo por modelo, os valores de absorção energética, o tipo de elemento aquecedor e o diâmetro de cada zona de cozedura.

Planos de cozedura	VRM 641 D C VRM 641 D X VRM 641 MD IX VRM 641 MD C		VEM 645 C	
	Potência (em W)	Diâmetro (em mm)	Potência (em W)	Diâmetro (em mm)
Traseiro esq.	HD 2200/1000	210/140	A 2200	210
Traseiro dir.	H 1400	160	H 1400	160
Dianteiro esq.	H 1200	145	H 1200	145
Dianteiro dir.	H 1800	180	H 1800	180
Potência total	6600		6600	

Planos de cozedura	VRM 640 C VRM 640 X VRM 640 VRM 640 M IX VRM 640 M C		VRM 630 C VRM 630 M C	
	Potência (em W)	Diâmetro (em mm)	Potência (em W)	Diâmetro (em mm)
Traseiro esq.	H 1800	180	H 2300	210
Traseiro dir.	H 1400	160	H 1400	160
Dianteiro esq.	H 1200	145		
Dianteiro dir.	H 1800	180	H 1800	180
Potência total	6200		5500	

Legenda:

H = hilight unitário
HD = hilight duplo
A = halógena unitária

Installation

DE

! Bewahren Sie diese Bedienungsanleitung bitte sorgfältig auf, damit Sie sie jederzeit zu Rate ziehen können. Sorgen Sie dafür, dass sie im Falle eines Verkaufs, eines Umzugs oder einer Übergabe an einen anderen Benutzer das Gerät stets begleitet, damit auch der Nachbesitzer die Möglichkeit hat, darin nachzuschlagen zu können.

! Lesen Sie bitte die nachfolgenden Hinweise aufmerksam durch: sie liefern wichtige Informationen hinsichtlich der Installation, des Gebrauchs und der Sicherheit.

Posizionamento

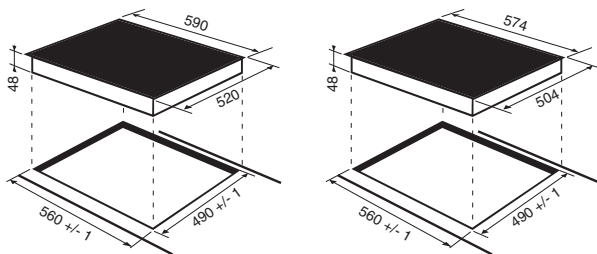
! Verpackungsmaterial ist kein Spielzeug für Kinder. Es ist entsprechend den Vorschriften zur getrennten Müllsammlung zu entsorgen (siehe *Vorsichtsmaßregeln und Hinweise*).

! Die Installation ist gemäß den vorliegenden Anweisungen und von Fachpersonal durchzuführen. Jede unsachgemäße Installation kann Menschen und Tiere gefährden oder Sachschaden verursachen.

Einbau

Um eine einwandfreie Betriebsweise des Gerätes zu gewährleisten, muss der Umbauschrank folgende Eigenschaften aufweisen:

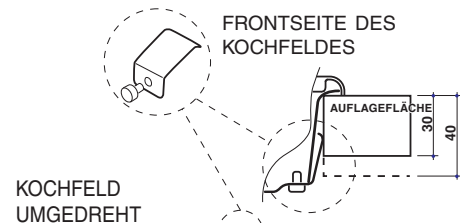
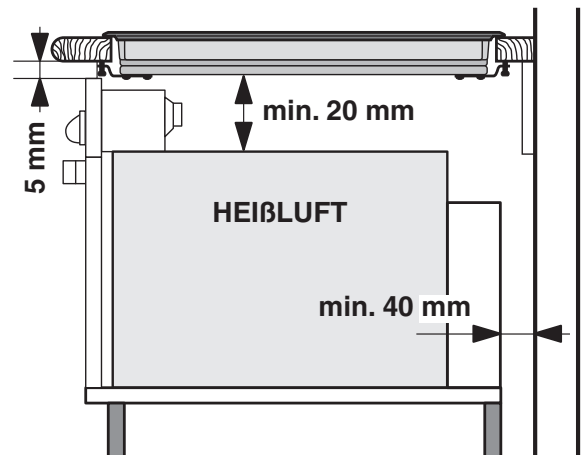
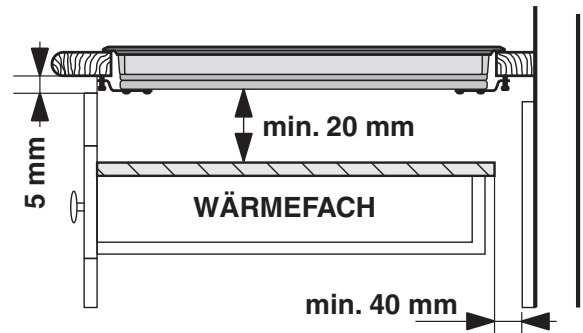
- Die Auflagefläche muss aus hitzebeständigem Material beschaffen sein, um einer Temperatur von ca. 100°C standzuhalten.
- Soll das Kochfeld über einem Backofen installiert werden, muss letzterer mit einem Kühlsystem mit Zwangsbelüftung ausgestattet sein.
- Von der Installation eines Kochfeldes über einem Geschirrspüler wird abgeraten. Gegebenenfalls ist zur Abdichtung ein Zwischenteil zwischen beiden Geräten zu installieren.
- Je nach dem zu installierenden Kochfeld (siehe *Abbildungen*) sind Arbeitsflächenausschnitte folgender Abmessungen vorzusehen:



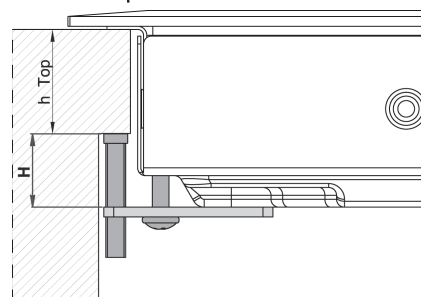
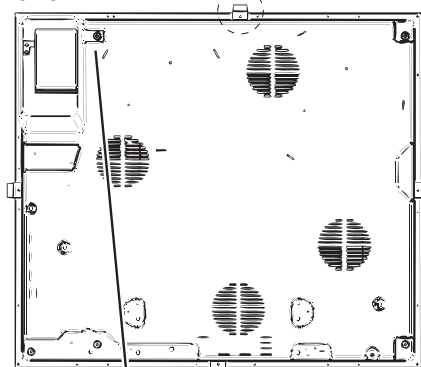
Belüftung

Zur ausreichenden Belüftung und zur Vermeidung der Überhitzung der Flächen rund um das Gerät muss das Kochfeld wie folgt positioniert werden:

- in einem Abstand von mindestens 40 mm von der dahinter liegenden Wand;
- um einen Abstand von mindestens 20 mm zwischen dem für den Einbau bestimmten Ausschnitt und dem entsprechenden Unterschrank zu gewährleisten.
- Angrenzende Schränke, deren Höhe die der



KOCHFELD UMGEDREHT



Arbeitsplatte überschreiten, müssen einen Abstand vom Rand der Kochmulde von mindestens 600 mm aufweisen.

Befestigung

Das Kochfeld muss auf einer perfekt ebenen Stütz- bzw. Auflagefläche installiert werden. Durch unsachgemäße Befestigung hervorgerufene Verformungen könnten die Eigenschaften und Leistungen des Kochfeldes beeinträchtigen.

Die Länge der Regelschrauben der Befestigungsklammern wird vor Montage derselben eingestellt, und zwar je nach der Stärke der Auflagefläche:

- 30 mm - Schraube 17.5 mm;
- 40 mm - Schraube 7.5 mm.

Verfahren Sie zur Befestigung wie folgt:

1. Schrauben Sie die 4 Zentrierungsfedern mittels der vier kurzen, stumpfen Schrauben in die in der Mitte einer jeden Kochfeldseite befindlichen Lochbohrungen.
2. Setzen Sie das Kochfeld durch leichtes Andrücken des gesamten umlaufenden Randes mittig in den Möbelausschnitt ein, und zwar so, dass es vorschriftsmäßig auf der gesamten Auflagefläche aufstützt.
3. Für Kochfelder mit Seitenprofilen: Stecken Sie nach Einsatz des Kochfeldes in den Möbelausschnitt die 4 Befestigungshaken (ein jeder mit seinem Stift) in den umlaufenden unteren Rand des Kochfeldes, und schrauben Sie diese mittels der vier langen, spitzen Schrauben fest, bis das Glas an der Auflagefläche anhaftet.

! Die Schrauben der Zentrierungsfedern müssen unbedingt zugänglich sein.

! Gemäß den Sicherheitsvorschriften muss nach erfolgtem Einbau die Möglichkeit einer Berührung mit Strom führenden Teilen ausgeschlossen sein.

! Alle zum Schutz dienenden Teile müssen so befestigt werden, dass ein Entfernen derselben ohne Zuhilfenahme eines Werkzeugs nicht möglich ist.

Elektroanschluss

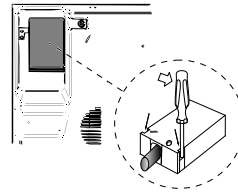
! Bei der Installation des Kochfeldes und der eines eventuellen Einbaubackofens müssen sämtliche Elektroanschlüsse getrennt vorgenommen werden, und dies nicht nur aus Sicherheitsgründen, sondern auch um den Backofen, falls nötig, leichter herausziehen zu können.

Klemmgehäuse

Das Gerät ist mit einem Gehäuse (befindlich im unteren Teil) ausgestattet, das für den Anschluss an andersartige Elektroversorgungen bestimmt ist (die Abbildung ist nur richtungsweisend, demnach ist es möglich, dass sie mit dem erworbenen Gerät nicht übereinstimmt).

Einphasenanschluss

KOCHFELD
UMGEDREHT



Das Kochfeld ist mit einem bereits angeschlossenen Netzkabel ausgestattet und ist für einen Einphasenanschluss voreingestellt. Schließen Sie die Drähte gemäß nachfolgender Tabelle und Zeichnungen an:

Netzspannung und -frequenz	Elektrokabel	Anschluss der Drähte
220-240V 1+N ~ 50/60 Hz		⚡ gelb/grün; N: die 2 blauen Drähte zusammen L: braun zusammen mit schwarz

Andere Anschlussarten

Sollte die Elektroanlage einer der nachfolgenden Eigenschaften entsprechen:

Netzspannung und -frequenz

- 400V - 2+N ~ 50/60 Hz
- 220-240V 3 ~ 50/60 Hz
- 400V - 2+2N ~ 50/60 Hz

Trennen Sie die Drähte und schließen Sie sie gemäß nachfolgender Tabelle und Zeichnungen an:

Netzspannung und -frequenz	Elektrokabel	Anschluss der Drähte
400V - 2+N ~ 50/60 Hz		⚡ gelb/grün; N: die 2 blauen Drähte zusammen L1: schwarz L2: braun
220-240V 3 ~ 50/60 Hz		⚡ gelb/grün; N1: blau N2: blau L1: schwarz L2: braun

Sollte die Elektroanlage einer der nachfolgenden Eigenschaften entsprechen:

Netzspannung und -frequenz

- 400V 3 - N ~ 50/60 Hz

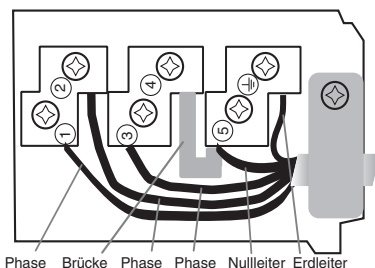
dann verfahren Sie wie folgt:

! Das eventuell mitgelieferte Netzkabel kann für diese Installationsarten nicht verwendet werden.

1. Verwenden Sie ein geeignetes Versorgungskabel des Typs H05RR-F, oder eines höheren Wertes, geeigneter Maße (Kabelquerschnitt: 25 mm).
2. Heben Sie unter Zuhilfenahme eines Schraubenziehers die seitlichen Zungen des Klemmgehäusedeckels an (siehe Abbildung Klemmgehäuse).
3. Schrauben Sie die Schraube der Kabelklemme sowie die Schrauben der Klemmen, die der erforderlichen Anschlussart entsprechen, aus und positionieren Sie die Brücken in Anlehnung an nachfolgende Tabelle und Zeichnungen:
4. Verlegen Sie die Drähte gemäß nachstehenden Zeichnungen und Tabelle und schließen Sie die Drähte

an. Ziehen Sie die Klemmschrauben hierbei fest an .

5. Befestigen Sie das Netzkabel in der entsprechenden Kabelklemme und schließen Sie den Deckel.



Dreiphasenanschluss 400

Netzspannung und -frequenz	Elektrischer Anschluss	Klemmgehäuse
400V 3-N ~ 50/60 Hz	1 2 3 4 5 L1 L2 L3 N PE	Dreiphasenanschluss 400

Anschluss des Netzkabels an das Stromnetz

Wird das Gerät direkt an das Stromnetz angeschlossen, ist zwischen Stromnetz und Gerät ein allpoliger Schalter mit einer Mindestkontaktöffnung von 3 mm zwischenzuschalten.

! Der Installateur ist für den ordnungsgemäßen elektrischen Anschluss sowie die Einhaltung der Sicherheitsvorschriften verantwortlich.

Vor dem Anschluss stellen Sie bitte sicher, dass:

- die Netzsteckdose geerdet ist und den gesetzlichen Bestimmungen entspricht;
- die Netzsteckdose für die auf dem Typenschild (befindlich auf dem Gerät) angegebene maximale Leistungsaufnahme des Gerätes ausgelegt ist;
- die Netzspannung im Bereich der auf dem Typenschild angegebenen Werte liegt;
- die Steckdose mit dem Netzstecker kompatibel ist. Sollte dies nicht der Fall sein, wechseln Sie bitte die Steckdose oder den Netzstecker aus; verwenden Sie keine Verlängerungen und Mehrfachsteckdosen.

! Netzkabel und Steckdose müssen bei installiertem Gerät leicht zugänglich sein.

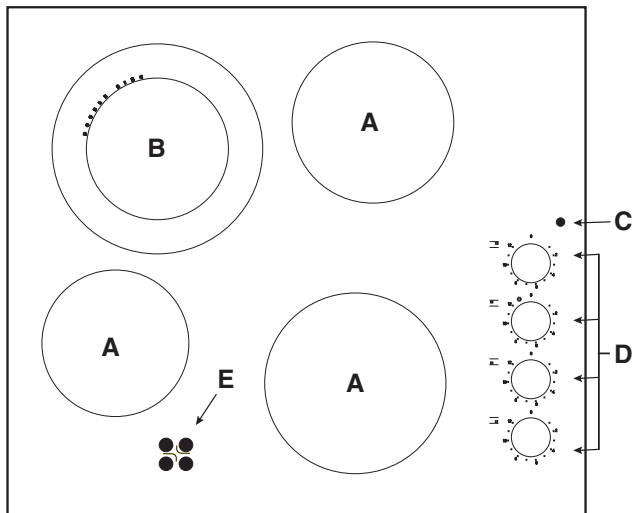
! Das Netzkabel darf nicht gebogen oder eingeklemmt werden.

! Das Netzkabel muss regelmäßig kontrolliert werden und darf nur durch autorisiertes Fachpersonal ausgetauscht werden.

! Der Hersteller lehnt jede Verantwortung ab, falls diese Vorschriften nicht eingehalten werden sollten.

! Entfernen oder ersetzen Sie unter keinen Umständen das Netzkabel. Wird das Kabel entfernt oder ersetzt, verfallen sowohl die Gewährleistung als auch das CE-Zeichen. INDESIT übernimmt keine Verantwortung für Unfälle oder Schäden, die durch das Entfernen/ Ersetzen des Original-Netzkabels verursacht werden. Der Austausch darf ausschließlich mit einem Originalersatzteil und durch autorisiertes Fachpersonal INDESIT durchgeführt werden.

Beschreibung des Gerätes



Einschalten des Glaskeramik-Kochfeldes

Traditionelle Kochzonen

Bei den traditionellen Heizelementen (A) handelt es sich um Ringheizkörper mit extrem kurzer Aufglühzeit (nur wenige Sekunden nach dem Einschalten).

Jede Kochzone hat ihren eigenen Schalter (D), mit dem 12 unterschiedliche Temperaturen (vom Mindestwert 1 bis zum Höchstwert 12) eingestellt werden können.

Erweiterbare Kochzonen

Die erweiterbaren Kochzonen, die Doppelkochzone und die Bräterzone (B), besitzen, im Unterschied zu den traditionellen Kochzonen, zwei Heizkreise. Es besteht die Möglichkeit, entweder nur die innere Kochzone oder beide einzuschalten.

Der Schaltknopf (D) ermöglicht die Wahl zweier Leistungsstufen, jede davon regulierbar von Minimum 1 bis Maximum 12.

- Durch Drehen des Schalters im Uhrzeigersinn von 1 auf 12 stellen Sie die niedrigere der beiden Leistungsstufen ein.
- durch Drehen des Schalters bis zum Anschlag (☉), hörbar durch kurzes Klicken, wird die höhere der beiden Leistungsstufen eingestellt, die wiederum, durch Drehen des Schalters gegen den Uhrzeigersinn, von 12 - 1 reguliert werden kann. Um zu der ursprünglichen Leistungsstufe zurückzukehren, drehen Sie den Schalter auf Einstellung 0.

Bei den Doppelkochzonen schalten Sie mittels einer ersten Teilumdrehung des Schaltknopfes die kleinere (innere) Kochzone ein. Um beide (die innere und die äußere) einzuschalten, drehen Sie den Schaltknopf bis zum Endanschlag (☉) durch, und wählen dann die gewünschte Leistungsstufe zwischen 12 und 1.

Empfohlene Leistungsstufen für die unterschiedlichen Gararten:

Pos.	Strahlerplatte
0	Ausgeschaltet
1	Zum Schmelzen von Butter und Schokolade
2	Zum Aufwärmen von Milch, Wasser usw.
3	
4	Für Cremesuppen und Saucen
5	
6	Zum Sieden
7	
8	Für Fleischbraten
9	
10	Für Suppenfleisch
11	
12	Zum Fritieren
☉	Einschalten beider Kochfelder

Betriebskontrollleuchte (C)

Diese leuchtet auf, sobald eine Kochzone in Betrieb gesetzt wird.

Restwärmeanzeige (E)

Diese zeigt an, dass eine oder mehrere Kochzonen auch nach dem Ausschalten noch heiß sind (über 60°C). Einige Modelle sind mit 4 Restwärmeanzeigen ausgestattet, d.h. eine für jede Kochzone.

Vorsichtsmaßnahmen und Hinweise

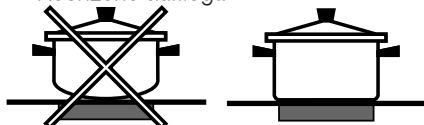
DE

! Das Gerät wurde entsprechend den strengsten internationalen Sicherheitsvorschriften entworfen und gebaut. Nachstehende Hinweise werden aus Sicherheitsgründen geliefert und sollten aufmerksam gelesen werden.

Praktische Ratschläge zum Einsatz des Gerätes

So gibt Ihnen Ihr Kochfeld sein Bestes:

- Verwenden Sie Kochgeschirr mit dickem und ebenem Boden, um sicher zu sein, dass dieser perfekt auf der Kochzone aufliegt.



- Benutzen Sie stets nur Kochgeschirr, dessen Durchmesser mit dem der Kochzone übereinstimmt, d.h. dessen Boden die Kochzone ganz bedeckt, und somit die gesamte Wärme genutzt wird.



- Achten Sie darauf, dass der Boden des Kochgeschirrs trocken und sauber ist; nur so ist ein perfektes Aufliegen des Geschirrbodens sowie eine lange Lebensdauer von Kochzone und Geschirr gewährleistet.
- Vermeiden Sie den Einsatz von Kochgeschirr, das auch auf Gasflammen verwendet wird. Die äußerst hohe Hitzekonzentration der Gasbrenner könnte die Topfböden leicht verformen und demnach die korrekte Auflage beeinträchtigen.

CE Dieses Gerät entspricht den folgenden EG-Richtlinien:
- 2006/95/EWG vom 12.12.06 (Niederspannung) und nachfolgenden Änderungen
- 2004/108/EWG vom 15.12.04 (elektromagnetische Verträglichkeit) und nachfolgenden Änderungen
- 93/68/EWG vom 22.07.93 und nachfolgenden Änderungen.

Allgemeine Sicherheit

! Stellen Sie bitte sicher, dass das Belüftungsgitter des Gebläses niemals verstopft bzw. abgedeckt wird. Das Einbaukochfeld erfordert eine korrekte Belüftung zur Kühlung der elektronischen Teile.

- Dieses Gerät ist für den nicht professionellen Einsatz im privaten Haushalt bestimmt.
- Das Gerät darf nicht im Freien aufgestellt werden, auch nicht, wenn es sich um einen geschützten Platz handelt. Es ist hoch gefährlich, das Gerät Gewittern und Unwettern auszusetzen.
- Berühren Sie das Gerät nicht mit nassen oder feuchten Händen oder Füßen und auch nicht, wenn Sie barfuß sind.
- Verwenden Sie das Kochfeld nicht als Abstellfläche oder als Schneidebrett.

- **Das Gerät darf nur von Erwachsenen und gemäß den Hinweisen der vorliegenden Bedienungsanleitung zur Zubereitung von Lebensmitteln verwendet werden. Jeder andere Einsatz (zum Beispiel: zum Beheizen von Räumen) ist als unsachgemäß und gefährlich anzusehen. Der Hersteller haftet nicht für eventuelle, durch unsachgemäßen, falschen oder unangemessenen Gebrauch verursachte Schäden.**

- Das Glaskeramikkochfeld ist stoßfest; dennoch kann es durch Stöße bzw. Aufprall von spitzen Gegenständen springen (oder sogar zerbrechen), Schalten Sie das Kochfeld in einem solchen Fall vom Stromnetz und wenden Sie sich an die Kundendienststelle.
- Vermeiden Sie, dass das Netzkabel anderer Elektrogeräte in Kontakt mit heißen Kochfeldteilen gelangt.
- Bitte berücksichtigen Sie, dass die Kochzonen noch für ca. 30 Minuten nach dem Ausschalten sehr heiß bleiben. Die Restwärme wird auf der entsprechenden Anzeige eingeblendet (siehe **Inbetriebsetzung und Gebrauch**).
- Halten Sie sämtliche Gegenstände, die schmelzen könnten, wie Plastikteile oder Kunststoffe sowie Zucker oder stark zuckerhaltige Speisen von dem Kochfeld fern. Achten Sie besonders auf Verpackungsmaterial, Frischhaltefolie und Alufolie: Wird derartiges Material auf den noch heißen oder warmen Oberflächen belassen, können sie das Kochfeld dauerhaft beschädigen.
- Stellen Sie Stieltöpfe und Pfannen immer mit nach innen gerichteten Griffen auf die Kochstelle, um jegliches Risiko durch unbeabsichtigtes Anstoßen auszuschließen.
- Ziehen Sie den Netzstecker nicht am Netzkabel aus der Steckdose, sondern nur am Netzstecker selbst.
- Ziehen Sie vor der Reinigung oder vor Wartungsmaßnahmen stets den Netzstecker aus der Steckdose.
- Das Gerät ist nicht zur Verwendung durch Personen (einschließlich Kinder) mit eingeschränkten körperlichen, geistigen oder Wahrnehmungsfähigkeiten oder aber ohne ausreichende Erfahrung und Produktkenntnis geeignet, sofern sie nicht durch eine für ihre Sicherheit verantwortliche Person beaufsichtigt werden oder zuvor Anleitungen zum Gerätegebrauch erhalten haben.
- Kinder dürfen nicht mit dem Gerät spielen.
- Schauen Sie nicht zu intensiv auf die eingeschalteten Halogen-Kochzonen, soweit vorhanden.



Entsorgung

- Entsorgung des Verpackungsmaterials: Befolgen Sie die lokalen Vorschriften; Verpackungsmaterial kann wiederverwertet werden.
- Die europäische Richtlinie 2002/96/EG über Elektro- und Elektronik-Altgeräte (WEEE) sieht vor, dass Haushaltsgeräte nicht mit dem normalen Hausmüll entsorgt werden dürfen. Die Altgeräte müssen getrennt gesammelt werden, um die Rückführung und das Recycling der Materialien zu optimieren, aus denen die Geräte hergestellt sind, und um mögliche Belastungen der Gesundheit und der Umwelt zu verhindern. Das Mülleimersymbol ist auf allen Produkten dargestellt, um an die Verpflichtung zur getrennten Abfallsammlung zu erinnern. Für weitere Informationen zur korrekten Entsorgung können sich die Besitzer von elektrischen Haushaltsgeräten an die übergeordnete öffentliche Einrichtung oder an ihren Händler wenden.

Abschalten Ihres Gerätes vom Stromnetz

Vor jeder Reinigung und Pflege ist das Gerät vom Stromnetz zu trennen.

Reinigung des Gerätes

! Der Einsatz von Scheuermitteln oder scharfen oder chemischen Reinigungsmitteln wie Backofensprays, Fleckenentferner, Rostentfernungsmittel, Reiniger in Pulverform und Scheuerschwämme ist zu vermeiden: diese können die Oberfläche des Kochfeldes dauerhaft beschädigen.

! Verwenden Sie zur Reinigung des Kochfeldes keine Dampf- oder Hochdruckreinigungsgeräte.

- Zur täglichen Pflege genügt es, das Kochfeld mit einem feuchten Schwamm abzuwischen und mit Küchenpapier abzutrocknen.
- Bei besonders starker Verschmutzung sollte ein spezielles Reinigungsmittel für Glaskeramik verwendet werden; anschließend ist das Kochfeld mit Wasser abzuspülen und sorgfältig abzutrocknen.
- Starke Verschmutzungen lassen sich mit einem Schaber (Klingenschaber) entfernen. Sie sollten so schnell wie möglich - und nicht erst nach Abkühlen des Kochfeldes - entfernt werden, um zu vermeiden, dass sich die Verschmutzungen festsetzen. Gute Ergebnisse lassen sich auch mit einem für Glaskeramik geeigneten Spezialschwamm aus Edelstahlwolle und einer einfachen Spüllauge erzielen.
- Auf dem Kochfeld versehentlich geschmolzene Alufolie, Plastikteile oder Kunststoffe, sowie Zuckerreste müssen umgehend mit einem Schaber von der noch warmen Oberfläche entfernt werden.
- Nach der Reinigung kann das Kochfeld mit einem Pflegeprodukt nachbehandelt werden: Der unsichtbare

Schutzfilm, den ein solches Produkt hinterlässt, schützt die Oberfläche vor eventuell überkochenden Speisen. Es empfiehlt sich, diese Nachbehandlung bei lauwarmem oder abgekühltem Gerät vorzunehmen.

- Achten Sie darauf, das Kochfeld nach der Reinigung stets mit klarem Wasser abzuspülen und anschließend abzutrocknen. Rückstände der Reinigungsmittel könnten sich nämlich bei der nächsten Benutzung des Kochfeldes ihrerseits festsetzen.

Edelstahlrahmen (nur bei mit Rahmen versehenen Modellen)

Auf den Edelstahlteilen könnten Flecken zurückbleiben, sollte stark kalkhaltiges Wasser oder phosphorhaltiges Spülmittel für längere Zeit darauf vorhanden sein.

Es ist ratsam, das Kochfeld nach der Reinigung gut nachzuspülen und abzutrocknen. Wird versehentlich Wasser darauf verschüttet, muss es sofort sorgsam getrocknet werden.

! Einige Kochfelder sind mit einem Aluminiumrahmen versehen, der Edelstahl sehr ähnlich ist. Verwenden Sie bitte keine Produkte zur Reinigung und Entfettung, die nicht für Aluminium geeignet sind.

Demontage des Kochfeldes

Sollte sich die Abnahme des Kochfeldes als erforderlich erweisen, verfahren Sie bitte wie folgt:

1. Schrauben Sie die Schrauben aus, die zur Befestigung der seitlichen Zentrierungsfedern dienen;
2. lockern Sie die Schrauben der Eck-Befestigungsbügel;
3. nehmen Sie das Kochfeld aus dem Möbelausschnitt heraus.

! Wir empfehlen dringlich, Innenmechanismen nicht eigenhändig zu reparieren. Kontaktieren Sie bei Störungen bitte den Kundendienst.

Technische Beschreibung der Modelle

In den angeführten Tabellen werden, Modell für Modell, die Energiebedarfswerte, die Art der Heizelemente und der Durchmesser einer jeden Kochzone ausgewiesen.

Legende:

- H = hilight einfach
- HD = hilight doppelt
- A = Halogen einfach

Kochfelder	VRM 641 D C VRM 641 D X VRM 641 MD IX VRM 641 MD C		VEM 645 C	
	Leistung (W)	Durchmesser (mm)	Leistung (W)	Durchmesser (mm)
Hinten links	HD 2200/1000	210/140	A 2200	210
Hinten rechts	H 1400	160	H 1400	160
Vorne links	H 1200	145	H 1200	145
Vorne rechts	H 1800	180	H 1800	180
Gesamtleistung	6600		6600	

Kochfelder	VRM 640 C VRM 640 X VRM 640 VRM 640 M IX VRM 640 M C		VRM 630 C VRM 630 M C	
	Leistung (W)	Durchmesser (mm)	Leistung (W)	Durchmesser (mm)
Hinten links	H 1800	180	H 2300	210
Hinten rechts	H 1400	160	H 1400	160
Vorne links	H 1200	145		
Vorne rechts	H 1800	180	H 1800	180
Gesamtleistung	6200		5500	

Installazione

IT

! È importante conservare questo libretto per poterlo consultare in ogni momento. In caso di vendita, di cessione o di trasloco, assicurarsi che resti insieme all'apparecchio per informare il nuovo proprietario sul funzionamento e sui relativi avvertimenti.

! Leggere attentamente le istruzioni: ci sono importanti informazioni sull'installazione, sull'uso e sulla sicurezza.

Posizionamento

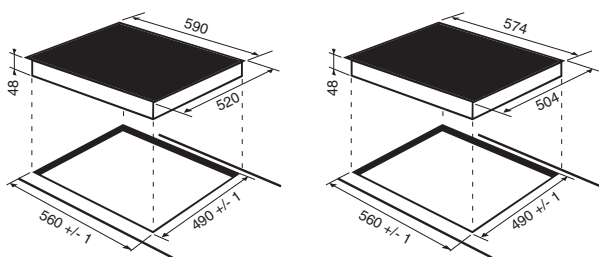
! Gli imballaggi non sono giocattoli per bambini e vanno eliminati secondo le norme per la raccolta differenziata (vedi Precauzioni e consigli).

! L'installazione va effettuata secondo queste istruzioni e da personale professionalmente qualificato. Una errata installazione può causare danni a persone, animali o cose.

Incasso

Per garantire un buon funzionamento dell'apparecchio è necessario che il mobile abbia le caratteristiche adatte:

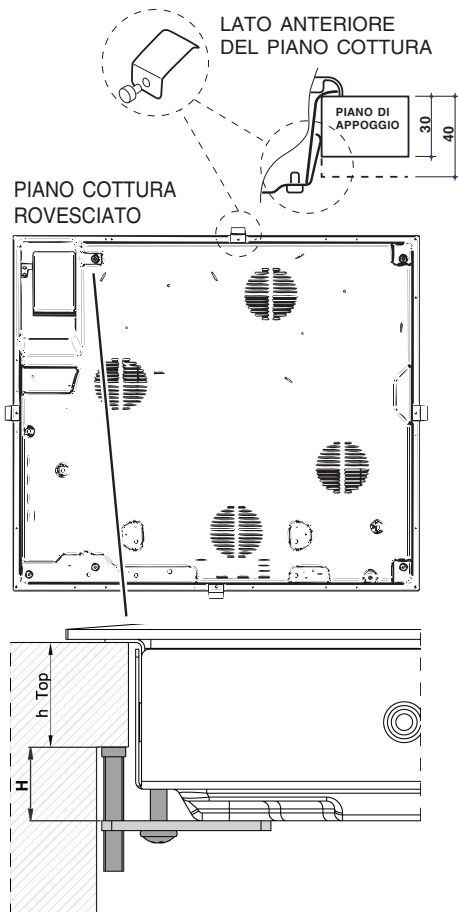
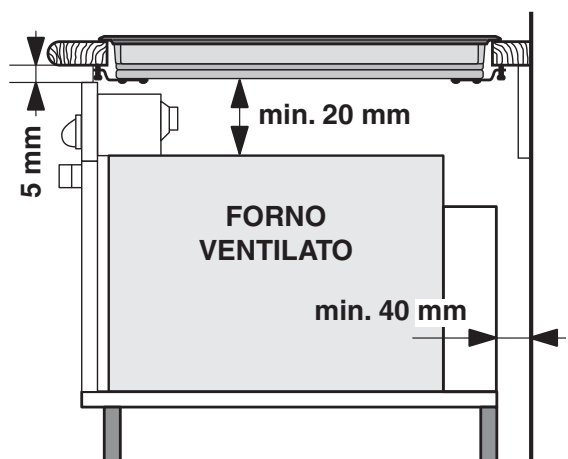
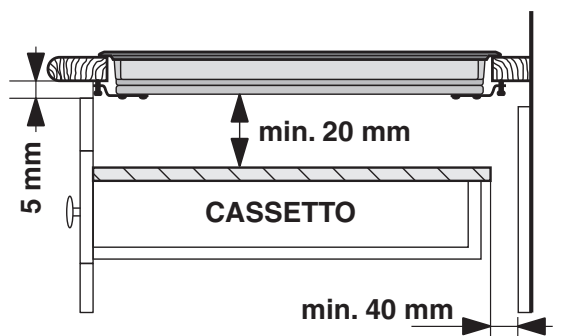
- il piano d'appoggio deve essere di materiale resistente al calore, a una temperatura di circa 100°C;
- se si desidera installare il piano cottura sopra un forno, questo deve essere provvisto di un sistema di raffreddamento a ventilazione forzata;
- evitare di installare il piano cottura sopra una lavastoviglie: all'occorrenza frapporre un elemento di separazione a tenuta stagna fra i due apparecchi;
- a seconda del piano cottura che si desidera installare (vedi figure), il vano del mobile deve avere le seguenti dimensioni:



Aerazione

Per consentire un'adeguata aerazione e per evitare il surriscaldamento delle superfici attorno all'apparecchio, il piano cottura deve essere posizionato:

- a una distanza minima di 40 mm dalla parete retrostante;
- in modo da mantenere una distanza minima di 20 mm fra il vano per l'incasso e il mobile sottostante.
- I mobili situati a fianco, la cui altezza superi quella del piano di lavoro, debbono essere situati ad almeno 600 mm dal bordo del piano stesso.



Fissaggio

L'installazione dell'apparecchio deve essere effettuata su un piano d'appoggio perfettamente piano.

Le eventuali deformazioni provocate da un errato fissaggio potrebbero alterare le caratteristiche e le prestazioni del piano cottura.

La lunghezza della vite di regolazione dei ganci di fissaggio va impostata prima del loro montaggio, in base allo spessore del piano d'appoggio:

- spessore di 30 mm: vite 17,5 mm;
- spessore di 40 mm: vite 7,5 mm.

Per il fissaggio agire come segue:

1. Con le viti corte senza punta, avvitare le 4 molle di centraggio nei fori posti al centro di ogni lato del piano;
2. inserire il piano cottura nel vano del mobile, centrarlo ed esercitare una adeguata pressione sull'intero perimetro affinché il piano di cottura aderisca bene al piano d'appoggio.
3. per i piani con profili laterali: dopo aver inserito il piano cottura nel mobile, inserire i 4 ganci di fissaggio (ognuno con il suo perno) sul perimetro inferiore del piano cottura, avvitandoli con le viti lunghe con punta finché il vetro non aderisce al piano d'appoggio.

! È indispensabile che le viti delle molle di centraggio rimangano accessibili.

! In conformità alle norme di sicurezza, una volta incassato l'apparecchio, non debbono essere possibili eventuali contatti con le parti elettriche.

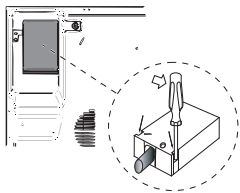
! Tutte le parti che assicurano la protezione debbono essere fissate in modo tale da non poter essere tolte senza l'aiuto di qualche utensile.

Collegamento elettrico

! L'allacciamento elettrico del piano cottura e quello di un eventuale forno da incasso devono essere realizzati separatamente, sia per ragioni di sicurezza elettrica sia per facilitare le operazioni di estrazione del forno.

Morsettiera

PIANO COTTURA
ROVESCiato



L'apparecchio è provvisto, nella parte inferiore, di una scatola per il collegamento a differenti tipi di alimentazione elettrica (l'immagine è indicativa e può non corrispondere al modello acquistato).

Collegamento monofase

Il piano è dotato di cavo di alimentazione già collegato e predisposto per il collegamento monofase. Effettuare l'allaccio dei fili in accordo con la tabella e i disegni che seguono:

Tensione tipo e frequenza rete	Cavo elettrico	Collegamento fili
220-240V 1+N ~ 50/60 Hz		⊕ : giallo/verde N: i 2 fili blu insieme L: marrone insieme al nero

Altri tipi di collegamento

Se l'impianto elettrico corrisponde a una delle seguenti caratteristiche:

Tensione tipo e frequenza di rete

- 400V - 2+N ~ 50/60 Hz
- 220-240V 3 ~ 50/60 Hz
- 400V - 2+2N ~ 50/60 Hz

Separare i cavi ed effettuare il collegamento dei fili in accordo con la tabella e i disegni che seguono:

Tensione tipo e frequenza rete	Cavo elettrico	Collegamento fili
400V - 2+N ~ 50/60 Hz 220-240V 3 ~ 50/60 Hz		⊕ : giallo/verde; N: i 2 fili blu insieme L1: nero L2: marrone
400V - 2+2N ~ 50/60 Hz		⊕ : giallo/verde; N1: blu N2: blu L1: nero L2: marrone

Se l'impianto elettrico corrisponde a una delle seguenti caratteristiche:

Tensione tipo e frequenza di rete

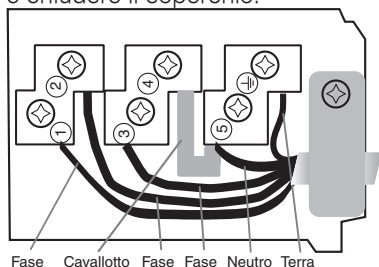
- 400V 3 - N ~ 50/60 Hz

procedere come segue:

! L'eventuale cavo in dotazione non è utilizzabile per questi tipi di installazione.

1. Utilizzare un cavo di alimentazione appropriato, tipo H05RR-F o di valore superiore, delle dimensioni adatte (sezione cavo: 25 mm).
2. Servendosi di un cacciavite, far leva sulle linguette del coperchio della morsettiera e aprirla (vedi immagine Morsettiera).
3. Svitare la vite del serracavo e le viti dei morsetti relativi al tipo di allaccio necessario e posizionare i cavallotti di collegamento secondo la tabella e i disegni che seguono.
4. Posizionare i fili in accordo con la tabella e i disegni che seguono ed effettuare il collegamento stringendo a fondo tutte le viti dei morsetti.
5. Fissare il cavo di alimentazione nell'apposito fermacavo

e chiudere il coperchio.



Fase Cavallotto Fase Fase Neutro Terra

Trifase 400

Allacciamento del cavo di alimentazione alla rete

In caso di collegamento diretto alla rete è necessario interporre tra l'apparecchio e la rete un interruttore onnipolare con apertura minima fra i contatti di 3 mm.

! L'installatore è responsabile del corretto collegamento elettrico e dell'osservanza delle norme di sicurezza.

Tensione tipo e frequenza rete	Collegamenti elettrici	Morsettiera
400V 3-N ~ 50/60 Hz		Trifase 400

Prima di effettuare l'allacciamento accertarsi che:

- la presa abbia la messa a terra e sia a norma di legge;
- la presa sia in grado di sopportare il carico massimo di potenza della macchina, indicato nella targhetta caratteristiche posta sull'apparecchio;
- la tensione di alimentazione sia compresa nei valori della targhetta caratteristiche;
- la presa sia compatibile con la spina dell'apparecchio. In caso contrario sostituire la presa o la spina; non usare prolunghe e multiple.

! Ad apparecchio installato, il cavo elettrico e la presa della corrente devono essere facilmente raggiungibili.

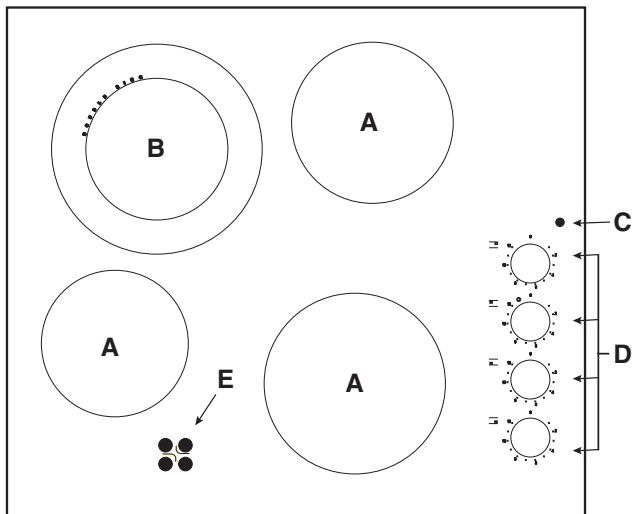
! Il cavo non deve subire piegature o compressioni.

! Il cavo deve essere controllato periodicamente e sostituito solo da tecnici autorizzati.

! L'azienda declina ogni responsabilità qualora queste norme non vengano rispettate.

! Non rimuovere o sostituire per nessun motivo il cavo di alimentazione. L'eventuale rimozione o sostituzione fa' decadere la garanzia e il marchio CE. INDESIT non si assume alcuna responsabilita' per incidenti o danni derivanti dalla sostituzione/rimozione del cavo di alimentazione originale. E' ammessa solo la sostituzione con un ricambio originale ed effettuata da personale autorizzato INDESIT.

Descrizione dell'apparecchio



Accensione del piano vetroceramica

Zone di cottura tradizionali

Gli elementi radianti tradizionali (A) sono composti da resistenze circolari e diventano rossi solo dopo alcune decine di secondi dalla loro accensione.

Ciascuna zona di cottura è dotata di una manopola di comando (D) che permette di selezionare 12 diverse temperature, da un valore minimo di 1 a un massimo di 12.

Zone di cottura estensibili

Gli elementi radianti estensibili (B) sono riconoscibili per la presenza di una doppia zona riscaldante. È possibile accendere solo la zona più interna o entrambe.

La manopola di comando (D) permette di scegliere tra due livelli di potenza, entrambi regolabili da un valore minimo di 1 a un massimo di 12:

- ruotando la manopola in senso orario da 1 a 12 si imposta il livello di potenza più basso.
- ruotando la manopola fino a fine corsa (⊙), identificabile da un leggero scatto, si inserisce la potenza massima che può essere regolata a sua volta tra 12 e 1 ruotando la manopola in senso antiorario. Per ripristinare il valore di potenza minimo è necessario riportare la manopola in posizione 0.

Nel caso di zone di cottura doppie, la prima parte della corsa inserisce la zona di cottura più piccola (interna). Per attivarle entrambe (interna ed esterna) è necessario portare la manopola nella posizione di fine corsa (⊙) e selezionare il livello di potenza desiderato tra 12 e 1.

Livelli di potenza consigliati per i vari tipi di cottura:

Pos.	Piastra radiante
0	Spento
1	Per sciogliere burro, cioccolata
2	Per riscaldare liquidi
3	
4	Per creme e salse
5	
6	Per cuocere alla temperatura di ebollizione
7	
8	Per arrosti
9	
10	Per grandi lessi
11	
12	Per Friggere
⊙	Inserimento di entrambe le zone di cottura

La spia di funzionamento (C)

Risulta accesa quando sia stata messa in funzione una zona riscaldante.

La spia calore residuo (E)

Indica che, una o più zone di cottura, sono a temperatura superiore a 60°C anche dopo lo spegnimento delle zone di cottura. Alcuni modelli sono dotati di 4 spie calore residuo, una per ogni zona di cottura.

Precauzioni e consigli

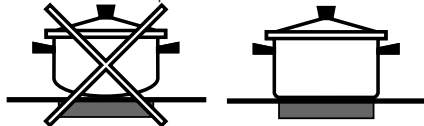
IT

! L'apparecchio è stato progettato e costruito in conformità alle norme internazionali di sicurezza. Queste avvertenze sono fornite per ragioni di sicurezza e devono essere lette attentamente.

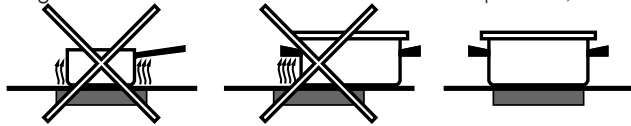
Consigli pratici per l'uso dell'apparecchio

Per ottenere le migliori prestazioni dal piano di cottura:

- adoperare pentole con fondo piatto per essere certi che aderiscano perfettamente alla zona riscaldante;



- adoperare sempre pentole di diametro sufficiente a coprire completamente la zona riscaldante, in modo da garantire lo sfruttamento di tutto il calore disponibile;



- accertarsi che il fondo delle pentole sia sempre perfettamente asciutto e pulito, per garantire la corretta aderenza e una lunga durata, sia alle zone di cottura che alle pentole stesse;
- evitare di utilizzare le stesse pentole utilizzate sui bruciatori a gas: la concentrazione di calore sui bruciatori a gas può deformare il fondo della pentola, che perde aderenza;
- non lasciare mai una zona di cottura accesa senza pentola poiché il suo riscaldamento, raggiungendo rapidamente il livello massimo, potrebbe danneggiare gli elementi riscaldanti.



Questa apparecchiatura è conforme alle seguenti Direttive Comunitarie:
- 2006/95/CEE del 12/12/06 (Bassa Tensione) e successive modificazioni
- 2004/108/CEE del 15/12/04 (Compatibilità Elettromagnetica) e successive modificazioni
- 93/68/CEE del 22/07/93 e successive modificazioni.

Sicurezza generale

! Controllare che la presa d'aria tramite la griglia del ventilatore non sia mai ostruita. Il piano da incasso, infatti, necessita di una corretta aerazione per il raffreddamento dei componenti elettronici.

- L'apparecchio è stato concepito per un uso di tipo non professionale all'interno dell'abitazione.
- L'apparecchio non va installato all'aperto, nemmeno se lo spazio è riparato, perché è molto pericoloso lasciarlo esposto a pioggia e temporali.
- Non toccare la macchina a piedi nudi o con le mani o i piedi bagnati o umidi.
- **L'apparecchio deve essere usato per cuocere alimenti, solo da persone adulte e secondo le istruzioni riportate in questo libretto. Ogni altro uso (ad esempio: riscaldamento di ambienti) è da considerarsi improprio**

e quindi pericoloso. Il costruttore non può essere considerato responsabile per eventuali danni derivanti da usi impropri, erronei ed irragionevoli.

- Non utilizzare il piano come superficie di appoggio, né come tagliere.
- Il piano in vetroceramica è resistente agli urti meccanici, tuttavia può incrinarsi (o eventualmente frantumarsi) se colpito con un oggetto appuntito, quale un utensile. In questi casi, scollegare immediatamente l'apparecchio dalla rete di alimentazione e rivolgersi all'Assistenza.
- Se la superficie del piano è incrinata, spegnere l'apparecchio per evitare la possibilità di scosse elettriche.
- Evitare che il cavo di alimentazione di altri elettrodomestici entri in contatto con parti calde del piano cottura.
- Non dimenticare che la temperatura delle zone di cottura rimane piuttosto elevata per almeno trenta minuti dopo lo spegnimento. Il calore residuo è segnalato anche da un indicatore (vedi Avvio e utilizzo).
- Tenere a debita distanza dal piano cottura qualsiasi oggetto che potrebbe fondere, ad esempio oggetti in plastica, in alluminio o prodotti con un elevato contenuto di zucchero. Fare particolare attenzione a imballaggi e pellicole in plastica o alluminio: se dimenticati sulle superfici ancora calde o tiepide possono causare un grave danno al piano.
- Assicurarsi che i manici delle pentole siano sempre rivolti verso l'interno del piano cottura per evitare che vengano urtati accidentalmente.
- Non staccare la spina dalla presa della corrente tirando il cavo, bensì afferrando la spina.
- Non fare pulizia o manutenzione senza aver prima staccato la spina dalla rete elettrica.
- Non è previsto che l'apparecchio venga utilizzato da persone (bambini compresi) con ridotte capacità fisiche, sensoriali o mentali, da persone inesperte o che non abbiano familiarità con il prodotto, a meno che non vengano sorvegliate da una persona responsabile della loro sicurezza o non abbiano ricevuto istruzioni preliminari sull'uso dell'apparecchio.
- Evitare che i bambini giochino con l'apparecchio.
- Se presenti, non guardare a lungo le zone di cottura alogene.



Smaltimento

- Smaltimento del materiale di imballaggio: attenersi alle norme locali, così gli imballaggi potranno essere riutilizzati.
- La direttiva Europea 2002/96/CE sui rifiuti di apparecchiature elettriche ed elettroniche (RAEE), prevede che gli elettrodomestici non debbano essere smaltiti nel normale flusso dei rifiuti solidi urbani. Gli apparecchi dismessi devono essere raccolti separatamente per ottimizzare il tasso di recupero e riciclaggio dei materiali che li compongono ed impedire potenziali danni per la salute e l'ambiente. Il simbolo del cestino barrato è riportato su tutti i prodotti per ricordare gli obblighi di raccolta separata. Per ulteriori informazioni, sulla corretta dismissione degli elettrodomestici, i detentori potranno rivolgersi al servizio pubblico preposto o ai rivenditori.

Escludere la corrente elettrica

Prima di ogni operazione isolare l'apparecchio dalla rete di alimentazione elettrica.

Pulire l'apparecchio

! Evitare l'uso di detersivi abrasivi o corrosivi, quali i prodotti in bombolette spray per barbecue e forni, smacchiatori e prodotti antiruggine, i detersivi in polvere e le spugne con superficie abrasiva: possono graffiare irrimediabilmente la superficie.

! Non utilizzare mai pulitori a vapore o ad alta pressione per la pulizia dell'apparecchio.

- Per una manutenzione ordinaria, è sufficiente lavare il piano con una spugna umida, asciugando quindi con una carta assorbente per cucina.
- Se il piano è particolarmente sporco, strofinare con un prodotto specifico per la pulizia delle superfici in vetroceramica, sciacquare e asciugare.
- Per rimuovere gli accumuli di sporco più consistenti servirsi di un apposito raschietto. Intervenire non appena possibile, senza attendere che l'apparecchio si sia raffreddato, per evitare l'incrostazione dei residui. Eccellenti risultati si possono ottenere usando una spugnetta in filo d'acciaio inossidabile - specifica per piani in vetroceramica - imbevuta di acqua e sapone.
- In caso sul piano cottura si fossero accidentalmente fusi oggetti o materiali quali plastica o zucchero, rimuoverli con il raschietto immediatamente, finché la superficie è ancora calda.
- Una volta pulito, il piano può essere trattato con un prodotto specifico per la manutenzione e la

protezione: la pellicola invisibile lasciata da questo prodotto protegge la superficie in caso di scolamenti durante la cottura. Si raccomanda di eseguire queste operazioni con l'apparecchio tiepido o freddo.

- Ricordarsi sempre di risciacquare con acqua pulita e asciugare accuratamente il piano: i residui di prodotti potrebbero infatti incrostarsi durante la successiva cottura.

Telaio in acciaio inox (solo nei modelli con cornice)

L'acciaio inossidabile può macchiarsi per effetto di un'acqua molto calcarea lasciata per un periodo di tempo prolungato a contatto dello stesso oppure a causa di prodotti per la pulizia contenenti fosforo. Si consiglia di sciacquare abbondantemente e asciugare con cura dopo la pulizia del piano. In caso di versamenti d'acqua, intervenire rapidamente asciugando con cura.

! Alcuni piani cottura hanno una cornice in alluminio somigliante all'acciaio inox. Non utilizzare prodotti per la pulizia e lo sgrassaggio non idonei per l'alluminio.

Smontare il piano

Nel caso si renda necessario smontare il piano cottura:

1. togliere le viti che fissano le molle di centraggio sui lati;
2. allentare le viti dei ganci di fissaggio sugli angoli;
3. estrarre il piano cottura dal vano del mobile.

! Raccomandiamo di evitare di accedere ai meccanismi interni per tentare una riparazione. In caso di guasto, contattare l'Assistenza.

Descrizione tecnica dei modelli

In queste tabelle sono riportati, modello per modello, i valori di assorbimento energetico, il tipo di elemento riscaldante e il diametro di ciascuna zona di cottura.

Piani cottura	VRM 641 D C VRM 641 D X VRM 641 MD IX VRM 641 MD C		VEM 645 C	
Zone di cottura	Potenza (in W)	Diametro (in mm)	Potenza (in W)	Diametro (in mm)
Posteriore sx	HD 2200/1000	210/140	A 2200	210
Posteriore dx	H 1400	160	H 1400	160
Anteriore sx	H 1200	145	H 1200	145
Anteriore dx	H 1800	180	H 1800	180
Potenza totale	6600		6600	

Piani cottura	VRM 640 C VRM 640 X VRM 640 VRM 640 M IX VRM 640 M C		VRM 630 C VRM 630 M C	
Zone di cottura	Potenza (in W)	Diametro (in mm)	Potenza (in W)	Diametro (in mm)
Posteriore sx	H 1800	180	H 2300	210
Posteriore dx	H 1400	160	H 1400	160
Anteriore sx	H 1200	145		
Anteriore dx	H 1800	180	H 1800	180
Potenza totale	6200		5500	

Legenda:

H = hilight singolo
HD = hilight doppio
A = alogena singolo

Installatie

NL

! Bewaar dit instructieboekje zorgvuldig voor eventuele raadpleging in de toekomst. Wanneer u het product weggeeft, verkoopt, of wanneer u verhuist, dient u dit boekje bij het apparaat te bewaren zodat waarschuwingen en informatie betreffende werking voorhanden blijven.

! Lees de instructies aandachtig door: u vindt er belangrijke informatie betreffende installatie, gebruik en veiligheid.

Plaatsing

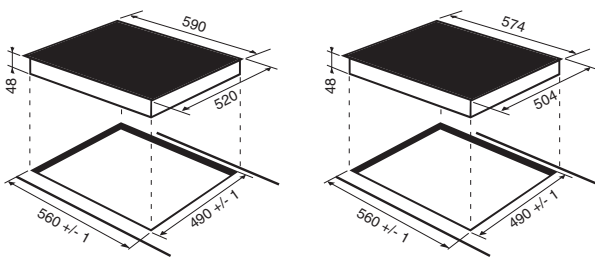
! Het verpakkingsmateriaal is niet bestemd voor kinderen en dient daarom te worden verwijderd volgens de geldende normen voor gescheiden afvalverzameling (zie Voorzorgsmaatregelen en advies).

! De installatie moet worden uitgevoerd door een bevoegde installateur en volgens de instructies van de fabrikant. Een verkeerde installatie kan schade berokkenen aan personen, dieren of dingen.

Inbouw

Voor een goede werking van het apparaat moet het keukenmeubel de juiste kenmerken hebben:

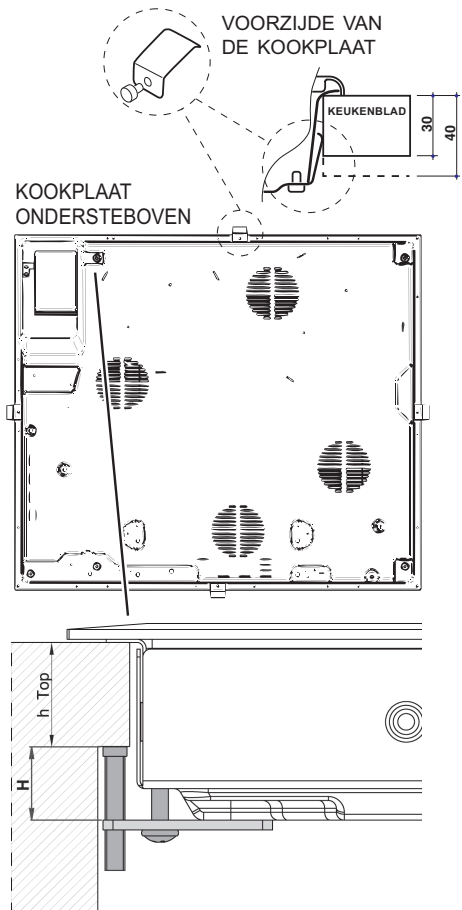
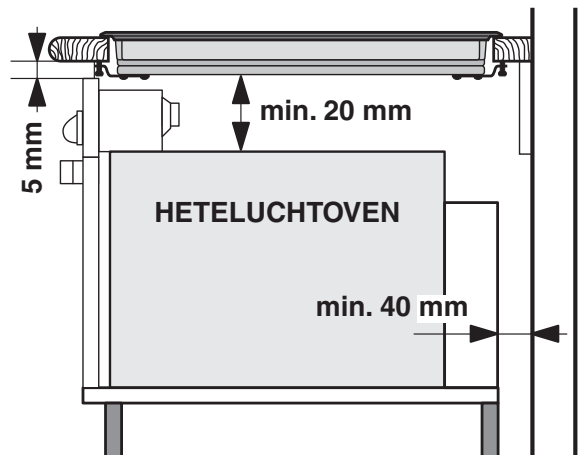
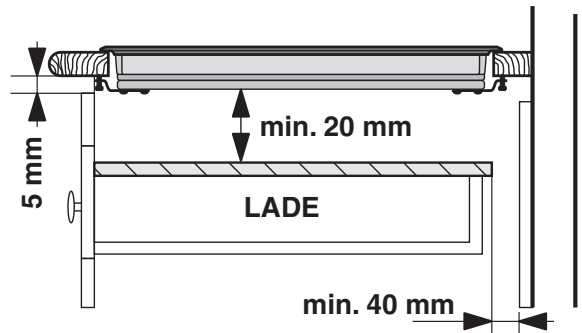
- het keukenblad moet uit hittebestendig materiaal zijn vervaardigd en een temperatuur van circa 100°C kunnen verdragen;
- als de kookplaat boven een oven wordt geïnstalleerd moet deze zijn voorzien van een geforceerd geventileerd afkoelingssysteem;
- installeer de kookplaat nooit boven een afwasautomaat: indien u dit toch doet, breng dan een waterdichte afscheiding aan tussen de twee apparaten;
- naar gelang het type kookplaat dat u wenst te installeren (zie afbeeldingen), moet het keukenmeubel de volgende afmetingen hebben:



Ventilatie

Teneinde een correcte ventilatie te bereiken en een oververhitting van de oppervlakken rondom het apparaat te voorkomen, moet de kookplaat geïnstalleerd worden op:

- op een minimum afstand van 40 mm van de achterwand;
- op zodanige wijze dat er een minimum afstand overblijft van 20 mm tussen het inbouwmeubel en het onderstaande meubel.
- De meubels die direct naast de kookplaat staan en



hierboven uitsteken, moeten op minstens 600 mm van de rand van de plaat staan.

Bevestigen

Het apparaat moet op een absoluut horizontaal oppervlak worden geïnstalleerd. Eventuele door onjuiste installatie veroorzaakte vervormingen kunnen de eigenschappen en de prestaties van de kookplaat aantasten.

De lengte van de regelschroef van de bevestigingshaken moet op basis van de dikte van het keukenblad worden ingesteld voordat de haken worden gemonteerd:

- als de dikte 30 mm is: schroef 17,5 mm;
- als de dikte 40 mm is: schroef 7,5 mm.

Voor het bevestigen moet u als volgt te werk gaan:

1. Draai met korte, puntloze schroeven de 4 centreringsschroeven in de openingen in het midden van elke zijde van het blad vast;
2. zet de kookplaat in het midden van de opening van het keukenmeubel door gelijke druk uit te oefenen op de hele omtrek totdat de kookplaat perfect aansluit op het keukenblad.
3. voor een blad met zijprofielen: nadat u de kookplaat in het keukenmeubel heeft geplaatst moet u de 4 bevestigingshaken aan de onderste rand van de kookplaat vastschroeven met gepunte, lange schroeven, net zolang tot het glas goed aan het blad vastzit.

! De schroeven van de centreringsschroeven moeten te allen tijde bereikbaar blijven.

! Volgens de veiligheidsnormen mag er geen contact meer mogelijk zijn met de elektrische onderdelen nadat het apparaat is ingebouwd.

! Alle beschermende onderdelen moeten zodanig worden bevestigd dat ze niet kunnen worden verwijderd zonder gereedschap te gebruiken.

Elektrische aansluiting

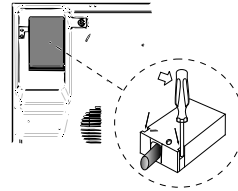
! De elektrische aansluitingen van de kookplaat en de eventuele inbouwoven moeten apart worden uitgevoerd, zowel om elektrische veiligheidsredenen als om de oven eventueel eenvoudiger te kunnen verwijderen.

Klemmenstrook

Aan de onderkant van het apparaat bevindt zich een klemmenstrook voor de verschillende types elektrische voeding (het is mogelijk dat de afbeelding niet exact

overeenkomt met het model dat u heeft aangeschaft).

KOOKPLAAT
ONDERSTEBOVEN



Eenfasige aansluiting

De kookplaat is voorzien van een voedingskabel bestemd voor een eenfasige aansluiting. Voer de draadverbinding uit zoals aangegeven in de volgende tabel en tekeningen:

Spanningstype en netfrequentie	Elektrische kabel	Draadverbinding
220-240V 1+N ~ 50/60 Hz		⏏: geel/groen; N: de 2 blauwe draden samen L: bruin en zwart samen

Andere soorten aansluitingen

Als het elektrische net overeenkomt met een van de volgende karakteristieken:

Spanningstype en netfrequentie

- 400V - 2+N ~ 50/60 Hz
- 220-240V 3 ~ 50/60 Hz
- 400V - 2+2N ~ 50/60 Hz

Scheid de kabels en voer de draadverbinding uit zoals aangegeven in de volgende tabel en tekeningen:

Als het elektrische net overeenkomt met een van de volgende karakteristieken:

Spanningstype en netfrequentie

- 400V 3 - N ~ 50/60 Hz

ga als volgt te werk:


! De eventuele bijgeleverde kabel is niet geschikt voor dit type installatie.

Spanningstype en netfrequentie	Elektrische kabel	Draadverbinding
400V - 2+N ~ 50/60 Hz		⏏: geel/groen; N: de 2 blauwe draden samen L1: zwart L2: bruin
400V - 2+2N ~ 50/60 Hz		⏏: geel/groen; N1: blauw N2: blauw L1: zwart L2: bruin

1. Gebruik een geschikte voedingskabel, type H05RR-F of met een hogere waarde, met de juiste afmetingen (diameter kabel: 25 mm).
2. Licht de lippen aan de zijkant van het deksel van de klemmenstrook op met een schroevendraaier en open hem (zie afbeelding Klemmenstrook).

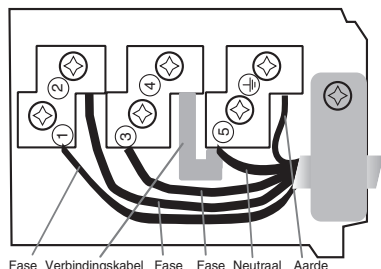
3. Draai de schroef van de kabelklem en de schroeven van de benodigde klemmetjes los en bevestig de verbindingkabels volgens de aanwijzingen van de volgende tabel en afbeeldingen.

4. Plaats de draden zoals aangegeven in de volgende afbeeldingen en tabel en stel een verbinding tot stand door alle schroeven van de klemmetjes goed vast te draaien.

Spanningstype en netfrequentie	Elektrische aansluitingen	Klemmenbord
400V 3-N ~ 50/60 Hz		Driefasen 400

5. Bevestig de voedingskabel in de speciale kabelklem en sluit het deksel af.

Driefase 400



Het aansluiten van de voedingskabel aan het elektrische net

Bij een rechtstreekse aansluiting op het net moet u tussen het apparaat en het net een meerpolige schakelaar aanbrengen met een minimum afstand van 3 mm tussen de contacten.

! De installateur is verantwoordelijk voor een correcte elektrische aansluiting en de inachtneming van de veiligheidsnormen.

Vóór het aansluiten moet u controleren dat:

- de contactdoos geaard is en voldoet aan de geldende normen;
- het stopcontact in staat is het maximale vermogen van het apparaat te verdragen, zoals aangegeven op het typeplaatje dat zich op het apparaat bevindt;

- de spanning zich bevindt tussen de waarden die staan aangegeven op het typeplaatje;
- de contactdoos en de stekker overeenkomen. Als dat niet zo is, dient u ofwel de stekker ofwel de contactdoos te vervangen; gebruik geen verlengsnoeren of dubbelstekkers.

! Wanneer het apparaat geïnstalleerd is, moeten de elektrische kabel en de contactdoos gemakkelijk te bereiken zijn.

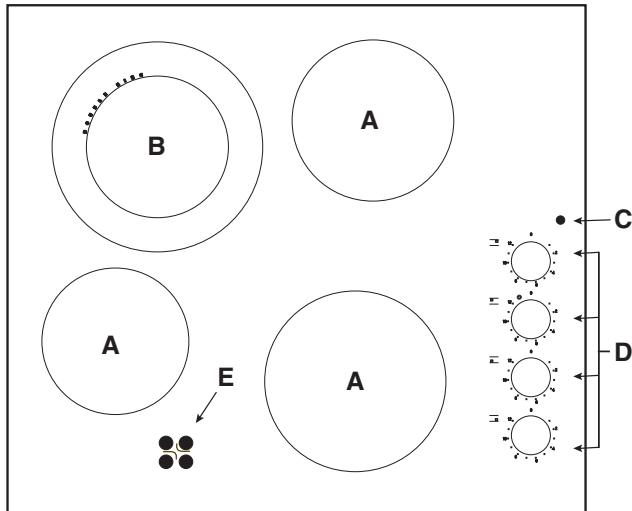
! De kabel mag niet gebogen of samengedrukt worden.

! De kabel moet van tijd tot tijd worden gecontroleerd en mag alleen door erkende monteurs worden vervangen.

! De fabrikant kan nergens aansprakelijk voor worden gesteld als deze normen niet worden nageleefd.

! Verwijder of vervang de voedingskabel voor geen enkele reden. De eventuele verwijdering of vervanging doet de garantie en de CE markering vervallen. INDESIT kan niet aansprakelijk worden gesteld voor ongelukken of schade die het resultaat zijn van de vervanging/verwijdering van de originele voedingskabel. De vervanging met een origineel onderdeel is alleen toegestaan indien uitgevoerd door een erkende INDESIT technicus.

Beschrijving van het apparaat



Aanzetten glaskeramische kookplaat

Traditionele kookzones

De traditionele straalelementen (A) bestaan uit cirkelvormige weerstanden die pas zo'n tiental seconden na ontsteking rood worden.

Iedere kookzone heeft zijn eigen bedieningsknop (D) waarmee u 12 verschillende temperaturen kunt kiezen, met een minimumwaarde van 1 tot een maximumwaarde van 12.

Verlengbare kookzones

De verlengbare straalelementen (B) herkent u aan het dubbele verwarmingsgedeelte. U kunt alleen het binnenste gedeelte aansteken of beide delen.

Door middel van de bedieningsknop (D) kunt u kiezen tussen twee stroomsterktes, deze gaan beide van een minimumwaarde van 1 tot een maximumwaarde van 12:

- door de knop rechtsom draaien van 1 naar 12 stelt u een lagere stroomsterkte in.
- draai de knop tot aan het einde (⊙), te herkennen aan een zachte klik. Zo wordt de maximum stroomsterkte ingesteld, die op zijn beurt geregeld kan worden tussen 12 en 1 door de knop linksom te draaien. Om de minimum stroomsterkte weer in te stellen, moet u de knop weer op stand 0 terugbrengen.

In het geval van dubbele kookgedeeltes, zal het eerste deel van de draaiing het kleinere (binnenste) kookgedeelte activeren. Om zowel het binnenste als het buitenste gedeelte te activeren moet u de knop tot aan het einde doordraaien (⊙) en een stroomsterkte kiezen tussen 12 en 1.

Aangeraden stroomsterktes voor verschillende bereidingen:

Pos	Stralingsplaat
0	Uit
1	Boter, chocolade smelten
2	Opwarmen vloeistoffen
3	
4	Vla en sausen
5	
6	Aan de kook brengen
7	
8	Braadstukken
9	
10	Groot stoofvlees
11	
12	Bakken
⊙	Inschakeling van beide kookzones

Controlelampje (C)

Is ontstoken als een verwarmingsgedeelte in gebruik wordt gesteld.

Controlelampje resterende warmte (E)

Dit geeft aan dat een of meer kookzones nog een temperatuur van 60°C of meer bezitten, ook na het uitschakelen ervan. Enkele modellen beschikken over 4 controlelampjes voor de resterende warmte, een voor elk kookgedeelte.

Voorzorgsmaatregelen en advies

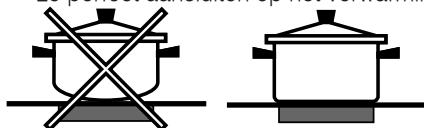
NL

! Dit apparaat is ontwikkeld en gefabriceerd volgens de geldende internationale veiligheidsvoorschriften. Deze aanwijzingen zijn geschreven voor uw veiligheid en u dient ze derhalve goed door te nemen.

Praktische tips voor het gebruik van het apparaat

Om optimale resultaten te bereiken met de kookplaat:

- Gebruik alleen pannen met een dikke, platte bodem zodat ze perfect aansluiten op het verwarmingsvlak.



- Gebruik pannen die groot genoeg zijn om de kookplaat geheel te bedekken zodat alle beschikbare hitte wordt benut.



- Houd de bodem van de pannen altijd goed schoon en droog zodat ze goed aansluiten op het kookvlak. Dit verlengt de levensduur van zowel de pannen als het kookvlak zelf.
- Vermijd dezelfde pannen te gebruiken die u ook op een gasfornuis heeft gebruikt: de warmteconcentratie van gasbranders kan de bodem van pannen vervormen, waardoor ze niet goed meer aansluiten.

Dit apparaat voldoet aan de volgende EU Richtlijnen:

- 2006/95/EEG van 12/12/06 (Laagspanning) en daaropvolgende wijzigingen
- 2004/108/EEG van 15/12/04 (Elektromagnetische Compatibiliteit) en daaropvolgende wijzigingen
- 93/68/EEG van 22/07/93 en daaropvolgende wijzigingen.

Algemene veiligheidsmaatregelen

!Controleer dat de luchttoevoeropening van het rooster van de ventilator niet verstopt is. De inbouwkeukplaat moet voorzien zijn van een goede ventilatie voor het afkoelen van de elektronische componenten.

- Dit apparaat is vervaardigd voor niet-professioneel gebruik binnenshuis.
- Het apparaat dient niet buitenshuis te worden geplaatst, ook niet in overdekte toestand. Het is erg gevaarlijk als het in aanraking komt met regen of onweer.
- Raak het apparaat niet aan als u blootsvoets bent of met natte of vochtige handen of voeten.
- **Het apparaat dient gebruikt te worden om voedsel te bereiden. Het mag uitsluitend door volwassenen worden gebruikt en alleen volgens de instructies die in deze handleiding beschreven staan. Elk ander gebruik (bv.: verwarming van ruimten) is als oneigenlijk te beschouwen en dus gevaarlijk. De fabrikant kan niet aansprakelijk worden gesteld voor eventuele schade**

die te wijten is aan onjuist, verkeerd of onredelijk gebruik.

- Gebruik het kookvlak niet om voorwerpen op te plaatsen en ook niet als snijplank.
- Het glaskeramische kookvlak is bestand tegen mechanische stoten. Het kan echter worden beschadigd (of barsten) als het wordt geraakt door een puntig object, bijvoorbeeld door gereedschap. Als dit gebeurt moet u onmiddellijk het apparaat afsluiten van de elektrische stroom en contact opnemen met de Technische Dienst.
- Voorkom dat elektrische snoeren van andere kleine keukenapparaten op warme delen van de kookplaat terechtkomen.
- Vergeet niet dat de temperatuur in het kookgedeelte aanzienlijk hoog blijft tot minstens 30 minuten nadat u het heeft uitgeschakeld. De resterende warmte wordt aangeduid door een aanwijzer (zie **Starten en gebruik**).
- Houd voorwerpen die kunnen smelten op afstand van de kookplaat, zoals bv. plastic, aluminium of suikerhoudende etenswaren. Let vooral op plastic of aluminium verpakkingen en folie: als u ze op het nog warme of lauwe kookvlak neerlegt, kunt u zware schade aanrichten.
- Richt de handvaten van de pannen altijd naar de binnenzijde van de kookplaat zodat u er niet per ongeluk tegenaan stoot.
- Trek nooit de stekker aan het snoer uit het stopcontact, maar pak altijd de stekker direct beet.
- Maak het apparaat niet schoon of voer geen onderhoud uit als de stekker nog in het stopcontact zit.
- Dit apparaat mag niet worden gebruikt door personen (kinderen inbegrepen) met een beperkt lichamelijk, sensorieel of geestelijk vermogen of personen die niet de nodige ervaring of kennis hebben met het apparaat, tenzij onder toezicht van een persoon die verantwoordelijk is voor hun veiligheid of nadat hun is uitgelegd hoe het apparaat werkt.
- Voorkom dat kinderen met het apparaat spelen.
- Als de kookplaat halogene kookzones heeft moet u vermijden er lang naar te kijken.



Afvalverwijdering

- Het verwijderen van het verpakkingsmateriaal: houdt u aan de plaatselijke normen zodat het materiaal hergebruikt kan worden.
 - De Europese richtlijn 2002/96/EG, betreffende afgedankte elektrische en elektronische apparatuur (AEEA), voorziet dat huishoudelijke apparatuur niet met het normale afval mag worden meegegeven. De verwijderde apparaten moeten apart worden opgehaald om het terugwinnen en recyclen van de materialen waaruit ze bestaan te optimaliseren en te voorkomen dat er eventuele schade voortvloeit voor de gezondheid en het milieu. Het symbool van de afvallemmer met een kruis staat op alle producten om de consument eraan te herinneren dat dit gescheiden afval is.
- Om meer informatie te verkrijgen betreffende een juiste verwijdering van huishoudapparaten kan de consument zich richten tot de gemeentelijke reinigingsdienst of de verkopers.

De elektrische stroom afsluiten

Sluit altijd eerst de stroom af voordat u tot enige handeling overgaat.

Reinigen van het apparaat

! Vermijd het gebruik van schuurmiddelen of bijtende middelen, zoals sprays voor barbecues en ovens, vlekkenmiddelen, roestverwijderende producten, schoonmaakmiddelen in poedervorm of schuursponzen: deze kunnen het oppervlak onherstelbaar krassen.

! Gebruik nooit stoom- of hogedrukreinigers voor het reinigen van het apparaat.

- Voor normaal onderhoud moet u de kookplaat met een vochtige spons reinigen en afdrogen met keukenpapier.
- Als de plaat erg vuil is moet hij worden schoongemaakt met een speciaal middel voor keramiekplaten. Daarna moet u hem afspoelen en afdrogen.
- Voor het verwijderen van hardnekkig vuil kunt u een hiervoor bestemd schrapertje gebruiken. Doe dit zo snel mogelijk voordat het apparaat afkoelt, zodat de etensresten niet aankoken. Uitstekende resultaten bereikt u ook met een speciaal voor keramiekplaten vervaardigd roestvrij staal sponsje dat u in een soepje doopt.
- Als er op de kookplaat onverhoopt voorwerpen of plastic materiaal of suiker zouden smelten, moet u ze onmiddellijk met het schrapertje verwijderen zolang het oppervlak nog warm is.
- Als de plaat is schoongemaakt, kan hij worden behandeld met een speciaal product voor onderhoud

en bescherming: het onzichtbare laagje dat dit product achterlaat beschermt de plaat in het geval er iets overkookt. Dit soort handelingen moeten worden uitgevoerd als de plaat lauw of koud is.

- Vergeet niet de kookplaat altijd met schoon water af te spoelen en goed af te drogen: restjes schoonmaakmiddel kunnen de volgende keer dat u kookt aankoken.

Raamwerk van roestvrij staal(alleen bij modellen met lijst)
Roestvrij staal kan vlekken gaan vertonen als er voor langere tijd kalkhoudend water op blijft liggen of als gevolg van gebruik van schoonmaakmiddelen die fosfor bevatten.

Spoel en droog de kookplaat altijd goed af nadat u hem heeft schoongemaakt. Droog gemorst water altijd meteen goed af.

! Enkele kookplaten hebben een lijst van aluminium die lijkt op roestvrij staal. Gebruik voor het reinigen en ontvetten geen producten die niet geschikt zijn voor aluminium.

De kookplaat verwijderen

Als u de kookplaat uit elkaar moet halen:

1. verwijder de schroeven die de centreringssklemmen aan de zijkant vasthouden;
2. maak de schroeven van de bevestigingshaken op de hoeken los;
3. haal de kookplaat uit het meubel.

! U mag nooit aan het interne systeem sleutelen om een reparatie proberen uit te voeren. Als er een storing is moet u contact opnemen met de Service Dienst.

Technische beschrijving van de modellen

In deze tabellen vindt u de waarden terug van de stroomopname voor ieder afzonderlijk model, het type verwarmingselement en de diameter van ieder kookgedeelte.

Kookplaten	VRM 641 D C VRM 641 D X VRM 641 MD IX VRM 641 MD C		VEM 645 C	
	Vermogen (in W)	Diameter (in mm)	Vermogen (in W)	Diameter (in mm)
Linksachter	HD 2200/1000	210/140	A 2200	210
Rechtsachter	H 1400	160	H 1400	160
Linksvoor	H 1200	145	H 1200	145
Rechtsvoor	H 1800	180	H 1800	180
Totaal vermogen	6600		6600	

Kookplaten	VRM 640 C VRM 640 X VRM 640 VRM 640 M IX VRM 640 M C		VRM 630 C VRM 630 M C	
	Vermogen (in W)	Diameter (in mm)	Vermogen (in W)	Diameter (in mm)
Linksachter	H 1800	180	H 2300	210
Rechtsachter	H 1400	160	H 1400	160
Linksvoor	H 1200	145		
Rechtsvoor	H 1800	180	H 1800	180
Totaal vermogen	6200		5500	

Legenda:

H = hilight enkel
HD = hilight dubbel
A = enkel halogeen

Instalacja

PL

! Należy zachować niniejszą instrukcję, aby móc z niej skorzystać w każdej chwili. W razie sprzedaży, odstąpienia lub przeniesienia urządzenia, należy się upewnić, czy instrukcja została przekazana wraz z nim, aby nowy właściciel płyty grzejnej mógł się zapoznać z jej działaniem i z właściwymi ostrzeżeniami.

! Należy uważnie przeczytać instrukcję: zawiera ona ważne informacje dotyczące instalacji, użytkowania i bezpieczeństwa.

Ustawienie

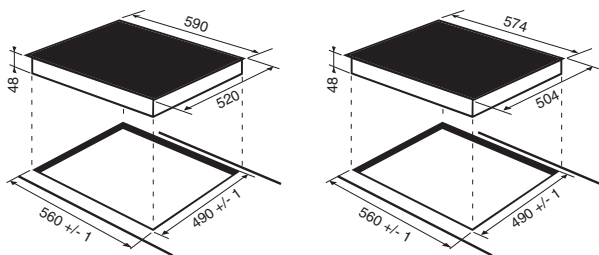
! Elementy opakowania nie są zabawkami dla dzieci i należy je usunąć zgodnie z normami dotyczącymi selektywnego gromadzenia odpadów (*patrz Zalecenia i środki ostrożności*).

! Instalacja powinna zostać wykonana zgodnie z niniejszymi instrukcjami przez wykwalifikowany personel. Niewłaściwa instalacja może spowodować szkody w stosunku do osób, zwierząt lub mienia.

Zabudowa

Aby zapewnić prawidłowe działanie urządzenia, mebel musi posiadać odpowiednie właściwości:

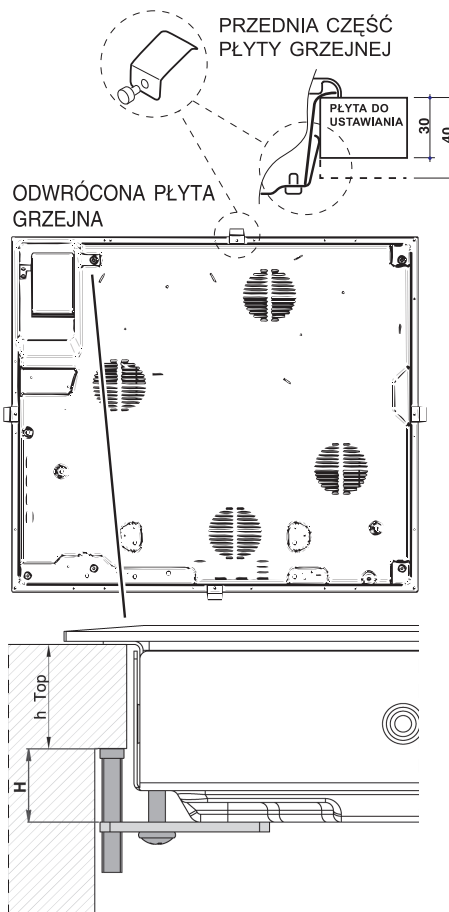
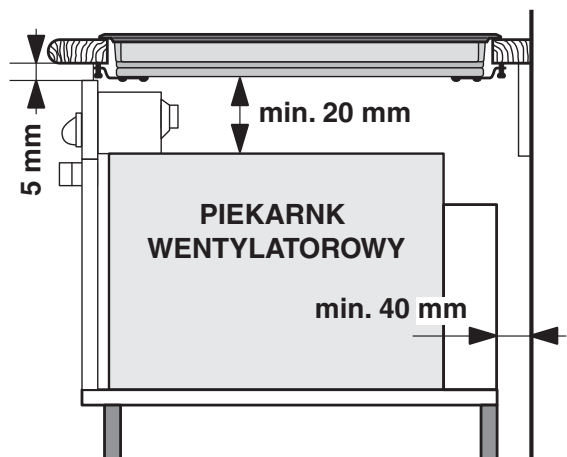
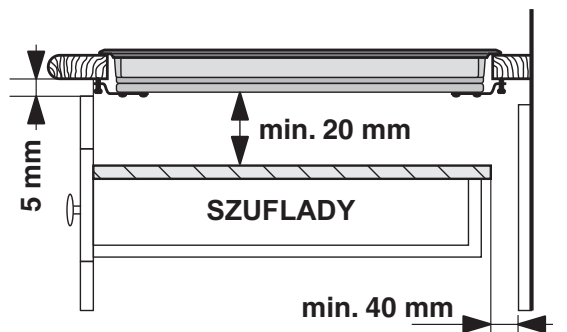
- blat musi być wykonany z materiału odpornego na ciepło, na temperaturę około 100°C;
- jeśli płyta grzejna ma być zainstalowana na piecu, musi on posiadać system chłodzenia z wentylacją wymuszoną;
- należy unikać instalowania płyty grzejnej na zmywarce: w przypadku takiej konieczności, umieścić pomiędzy dwoma urządzeniami szczelny element oddzielający;
- w zależności od płyty grzejnej, jaka ma być zainstalowana (*patrz rysunki*), wewnętrzna część mebla powinna mieć następujące wymiary:



Obieg powietrza

Aby umożliwić właściwy obieg powietrza i aby uniknąć przegrzania powierzchni wokół urządzenia, płyta grzejna powinna być umieszczona:

- w odległości co najmniej 40 mm od tylnej ściany lub;
- w taki sposób, aby zachować odległość minimum 20 mm pomiędzy przestrzenią do zabudowy a znajdującym się pod nią meblem.
- Meble znajdujące się obok, a których wysokość przekracza wysokość płyty roboczej, powinny zostać odsunięte



przynajmniej na 600 mm od krawędzi płyty roboczej.

Mocowanie

Urządzenie powinno być zainstalowane na idealnie płaskim blacie.

Ewentualne odkształcenia, spowodowane nieprawidłowym zamocowaniem, mogą być przyczyną zmiany właściwości urządzenia i, w konsekwencji, wpływając niekorzystnie na jego pracę.

Długość śruby regulacyjnej uchwytów mocujących należy ustawić przed ich zamontowaniem, na podstawie grubości blatu:

- grubość 30 mm: śruba 17,5 mm;
- grubość 40 mm: śruba 7,5 mm.

W celu zamocowania urządzenia należy wykonać następujące czynności:

1. Przy pomocy krótkich śrub bez łba przykręcić 4 sprężyny centrujące do otworów umieszczonych w środkowej części każdego boku płyty;
2. umieścić płytę grzejącą w meblu, wyśrodkować ją i wyrzeźnić odpowiedni nacisk na cały jej obwód, tak aby płyta dobrze przylegała do blatu.
3. w przypadku płyt z profilami bocznymi: po zainstalowaniu płyty grzejącej w meblu umieścić 4 uchwyty mocujące (każdy ze sworzniem) na dolnym obwodzie płyty grzejącej i przykręcić je długimi śrubami z łbem w taki sposób, aby szkło przylegało do blatu.

! Śruby sprężyn centrujących muszą pozostać dostępne.

! Zgodnie z normami bezpieczeństwa, po zabudowaniu urządzenia nie powinien być możliwy kontakt z jego elementami elektrycznymi.

! Wszystkie części, które stanowią zabezpieczenie, powinny być zamocowane w taki sposób, aby nie można było ich zdjąć bez użycia narzędzia.

Podłączenie do sieci elektrycznej

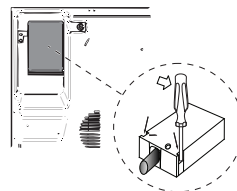
! Podłączenie do sieci elektrycznej płyty grzejącej oraz ewentualnego pieca do zabudowy powinno być wykonane oddzielnie, zarówno ze względów bezpieczeństwa elektrycznego, jak i dla ułatwienia czynności związanych z wyjmowaniem pieca.

Skrzynka zaciskowa

W dolnej części urządzenia znajduje się puszką umożliwiającą podłączenie różnych typów zasilania elektrycznego (rysunek jest przykładowy i może

przedstawiać inny model niż zakupiony).

ODWRÓCONA
PŁYTA GRZEJNA



Podłączenie jednofazowe

Płyta jest wyposażona w kabel zasilający przygotowany do podłączenia jednofazowego. Należy połączyć przewody zgodnie z tabelą i z rysunkami

umieszczonymi poniżej:

Typowe napięcie i częstotliwość sieci	Kabel elektryczny	Połączenie przewodów
220-240V 1+N ~ 50/60 Hz		⏏: żółty/zielony; N: 2 przewody niebieskie razem L: brązowy razem z czarnym

Inne typy podłączeń

Jeśli instalacja elektryczna posiada jedną z następujących cech:

Typowe napięcie i częstotliwość sieci

- 400V - 2+N ~ 50/60 Hz
- 220-240V 3 ~ 50/60 Hz
- 400V - 2+2N ~ 50/60 Hz

Oddzielić kable i połączyć przewody zgodnie z tabelą i z rysunkami umieszczonymi poniżej:

Typowe napięcie i częstotliwość sieci	Kabel elektryczny	Połączenie przewodów
400V - 2+N ~ 50/60 Hz		⏏: żółty/zielony; N: 2 przewody niebieskie razem L1: czarny L2: brązowy
400V - 2+N ~ 50/60 Hz		⏏: żółty/zielony; N1: niebieski N2: niebieski L1: czarny L2: brązowy

Jeśli instalacja elektryczna posiada jedną z następujących cech:

Typowe napięcie i częstotliwość sieci

- 400V 3 - N ~ 50/60 Hz

należy wykonać następujące czynności:

! Ewentualny kabel znajdujący się w wyposażeniu urządzenia nie nadaje się do tego typu instalacji.

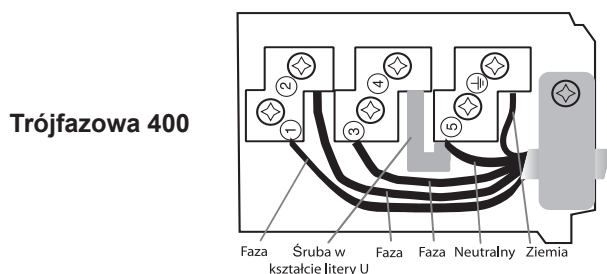
1. Należy zastosować kabel zasilający typu H05RR-F lub o wyższych właściwościach, posiadający odpowiednie wymiary (przekrój kabla: 25 mm).
2. Przy pomocy srubokretu podważyć zatrzaski pokrywy skrzynki zaciskowej i otworzyć ją (*patrz rysunek Skrzynka zaciskowa*).

3. Odkręcić śrubę zacisku kabla oraz śruby zacisków odpowiadających danemu typowi podłączenia i zainstalować śruby łączące w kształcie U zgodnie z tabelą i z rysunkami znajdującymi się poniżej:

4. Ułożyć przewody zgodnie z tabelą i z rysunkami znajdującymi się poniżej i wykonać podłączenie całkowicie dokręcając wszystkie śruby zacisków.

Typowe napięcie i częstotliwość sieci	Połączenia elektryczne	Skrzynka zaciskowa
400V 3-N ~ 50/60 Hz		Trójfazowa 400

5. Zamocować kabel zasilający w odpowiednim zacisku i zamknąć pokrywę.



Podłączenie kabla zasilającego do sieci

W przypadku bezpośredniego podłączenia do sieci pomiędzy urządzeniem a siecią, należy zainstalować wyłącznik wielobiegunowy z minimalnym otwarciem między stykami wynoszącym 3 mm.

! Instalator odpowiada za prawidłowe wykonanie podłączenia elektrycznego i za zachowanie norm bezpieczeństwa.

Przed podłączeniem urządzenia, należy się upewnić czy:

- gniazdko posiada uziemienie i jest zgodne z obowiązującymi przepisami;
- gniazdko jest w stanie wytrzymać maksymalne obciążenie mocy urządzenia wskazane na tabliczce znamionowej płyty;
- napięcie zasilania odpowiada wartościom podanym na tabliczce znamionowej;
- gniazdko jest kompatybilne z wtyczką urządzenia. Jeśli gniazdko nie jest kompatybilne, należy wymienić gniazdko lub wtyczkę; nie stosować przedłużaczy ani rozgałęziaczy.

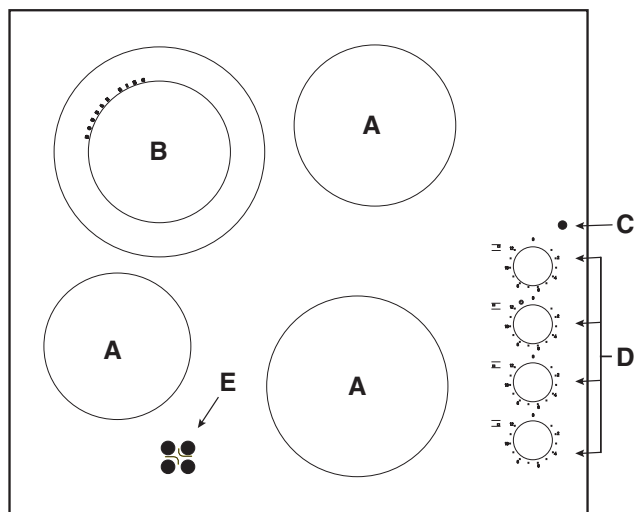
! Po zainstalowaniu urządzenia kabel elektryczny i gniazdko prądu powinny być łatwo dostępne.

! Kabel nie powinien być pocięty ani przygnieciony.

! Kabel elektryczny musi być okresowo sprawdzany i wymieniany wyłącznie przez autoryzowany personel techniczny.

! W przypadku nieprzestrzegania tych zasad, producent nie ponosi żadnej odpowiedzialności.

! Nie usuwać ani zamieniać przewodu zasilającego z jakiegokolwiek powodu. Usunięcie lub wymiana będzie powodem utracenia gwarancji i znaku CE. INDESIT zwolniony jest z jakiegokolwiek odpowiedzialności za wypadki lub szkody wynikające z usunięcia lub wymiany oryginalnego przewodu zasilającego. Dozwolona jest tylko wymiana przewodu na oryginalny, a wymiany ma dokonać upoważniony personel z INDESIT.



Włączenie płyty ze szklanej ceramiki

Strefy do tradycyjnego gotowania

Tradycyjne elementy (A) złożone są z okrężnych oporników i stają się czerwone już po kilku dziesiątkach sekund po ich włączeniu.

Każde pole grzejne posiada pokrętkę (D) do wyboru jednej z 12 możliwych temperatur, od wartości minimalnej oznaczonej jako 1 do maksymalnej, oznaczonej jako 12.

Rozszerzalne pola grzejne

Pola rozszerzalne (B) rozpoznawalne są tym, że posiadają podwójną przestrzeń rozgrzewającą się. Można włączyć pole podstawowe lub obydwa.

Pokrętkę (D) służy do wyboru jednej z dwóch możliwych mocy i każda może być ustawiona na poziomie od minimum 1 do maksimum 12:

- kręcąc pokrętkę w kierunku zegarowym od 1 do 12 ustawia się poziom mocy coraz niższy.
- przekręcając pokrętkę do końca (☉) czyli po wyczuciu małego zaskoku, włącza się maksymalny poziom mocy, który również może być regulowany w pozycji od 12 do 1 kręcąc pokrętkę w przeciwnym kierunku do wskazówek zegara. Aby przywrócić wartość minimalną mocy należy ustawić pokrętkę w pozycję 0.

W wypadku pól z podwójną powierzchnią grzejną pierwsza część skali służy do włączenia mniejszego pola (wewnętrzne). Aby włączyć obydwa pola (wewnętrzne i zewnętrzne) należy ustawić pokrętkę na końcu skali (☉) i wybrać jeden z dostępnym poziomów mocy od 12 do 1.

Zalecane moce do poszczególnych rodzajów pieczenia:

Poz.	Płyta grzejna
0	Wyłączona
1	Rozpuszczanie masła, czekolady
2	Podgrzewanie płynów
3	
4	Do kremów i sosów
5	
6	Gotowanie w temperaturze wrzenia
7	
8	Pieczenie
9	
10	Do dużych kawałków mięsa
11	
12	Smażenie
☉	Aby włożyć do obu stref pieczenia

Kontrolka pracy (C)

Świeci się jeśli włączone zostało jedno z pól grzejnych.

Kontrolka płyt ciepłych po wyłączeniu (E)

Wskazuje, że jedna lub więcej pól grzejnych mają temperaturę powyżej 6060°C nawet po wyłączeniu stref gotowania. Niektóre typy zaopatrzone są 4 kontrolki ciepła, jedna na każdą strefę gotowania.

Zalecenia i środki ostrożności

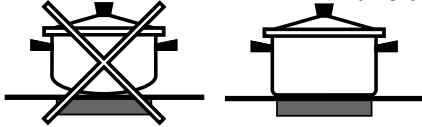
PL

! Urządzenie zostało zaprojektowane i wyprodukowane zgodnie z międzynarodowymi normami bezpieczeństwa. Poniższe ostrzeżenia dotyczą zasad bezpieczeństwa i należy je uważnie przeczytać.

Praktyczne porady dotyczące użytkowania urządzenia

Ponadto, aby uzyskać jak najlepsze wyniki użytkowania płyty grzejnej:

- Stosować garnki z płaskim dnem i znacznej grubości, aby mieć pewność, że dokładnie przylegają do pola grzejnego.



- Stosować garnki o średnicy wystarczającej do całkowitego przykrycia pola grzejnego, tak aby zapewnić wykorzystanie całego ciepła;



- Upewnić się czy dno garnka jest zawsze dokładnie osuszone i czyste, aby zagwarantować dokładne przyleganie i długotrwałość użytkowania zarówno pól grzejnych, jak i garnków.
- Unikać stosowania tych samych garnków co używane na palnikach gazowych: skupienie ciepła w przypadku palników gazowych może odkształcić dno garnka, przez co nie będzie on dokładnie przylegać;

CE Niniejsze urządzenie jest zgodne z następującymi dyrektywami unijnymi:

- 2006/95/EWG z 12/12/06 (Niskie napięcie) wraz z późniejszymi zmianami
- 2004/108/EWG z 15/12/04 (Kompatybilność elektromagnetyczna) wraz z późniejszymi zmianami
- 93/68/EWG z 22/07/93 wraz z późniejszymi zmianami.

Ogólne zasady bezpieczeństwa

! Sprawdzać, czy wlot powietrza poprzez kratkę wentylatora nigdy nie jest zatkany. Zabudowana płyta grzejna wymaga dobrego obiegu powietrza dla zapewnienia chłodzenia elementów elektronicznych.

- Niniejsze urządzenie przeznaczone jest do użytku domowego.
- Nie należy instalować urządzenia na zewnątrz, nawet w zadaszonym miejscu, ponieważ wystawienie go na działanie deszczu i burz jest bardzo niebezpieczne.
- Nie dotykać urządzenia stojąc przy nim boso lub mając mokre albo wilgotne ręce bądź stopy.
- **Urządzenie powinno być używane przez osoby dorosłe jedynie w celach kulinarnych, zgodnie ze wskazówkami zawartymi w instrukcji użytkownika. Wszelkie inne próby użycia urządzenia (np. do ogrzewania pomieszczeń) uważa się za niewłaściwe**

i niebezpieczne. Producent nie ponosi odpowiedzialności za uszkodzenia wynikające z niewłaściwej i nierozsądnej eksploatacji urządzenia.

- Nie używać płyty w funkcji półki lub deski do krojenia.
- Płyta szklano-ceramiczna jest odporna na uderzenia, może jednak ulec uszkodzeniu (lub ewentualnie pęknięciu), jeśli zostanie uderzona ostrym przedmiotem, np. jakimś narzędziem. W takim przypadku należy natychmiast odłączyć urządzenie od zasilania elektrycznego i wezwać Serwis Techniczny.
- Należy uważać, aby przewody zasilające pozostałe domowe urządzenia elektryczne nie stykały się z rozgrzаныmi elementami płyty grzejnej.
- Nie należy zapominać, że temperatura pól grzejnych pozostaje wysoka przez co najmniej trzydzieści minut po ich wyłączeniu. Ciepło szczałkowe jest również sygnalizowane przez odpowiedni wskaźnik (*patrz Uruchomienie i użytkowanie*).
- Utrzymywać w odpowiedniej odległości od płyty grzejnej każdy przedmiot, który może się stopić, np. przedmioty plastikowe, aluminiowe lub produkty z dużą zawartością cukru. Szczególnie uważać na wszelkie opakowania i taśmy plastikowe lub aluminiowe: ich pozostawienie na jeszcze gorących lub ciepłych powierzchniach może spowodować poważne uszkodzenie płyty.
- Należy się upewnić, czy uchwyty garnków są zawsze zwrócone w kierunku wewnętrznej części płyty grzejnej, aby uniknąć ich przypadkowego potrącenia.
- Nie wyciągać wtyczki z gniazdka ciągnąc za kabel - należy trzymać za wtyczkę.
- Nie czyścić urządzenia ani nie wykonywać czynności konserwacyjnych bez uprzedniego odłączenia wtyczki od sieci elektrycznej.
- Nie jest przewidziane, aby urządzenie było używane przez osoby (w tym dzieci) o ograniczonych możliwościach fizycznych lub umysłowych, przez osoby bez doświadczenia lub bez znajomości urządzenia, chyba że pod nadzorem osoby odpowiedzialnej za ich bezpieczeństwo, jak również przez osoby, które nie zostały zapoznane ze wstępnymi instrukcjami dotyczącymi użytkowania urządzenia.
- Nie dopuścić aby dzieci bawiły się urządzeniem.
- Jeśli są, nie patrzeć długo na gorące pole alogenowe.



Utylizacja

- Utylizacja opakowania: należy stosować się do lokalnych przepisów, dzięki temu opakowania będą mogły zostać poddane reutilizacji.
- Dyrektywa europejska 2002/96/WE w sprawie zużytego sprzętu elektrycznego oraz elektronicznego (RAEE) przewiduje, że domowe urządzenia elektryczne nie mogą podlegać zwykłemu cyklowi utylizacji stałych odpadów miejskich. Zużyte urządzenia powinny być zbierane oddzielnie w celu zoptymalizowania stopnia odzysku i recyklingu materiałów, które zawierają, oraz aby zapobiec potencjalnym szkodom dla zdrowia i środowiska. Symbol przekreślonego kosza umieszczony na wszystkich produktach przypomina o obowiązku selektywnego gromadzenia tych odpadów. W celu uzyskania bliższych informacji dotyczących prawidłowego złomowania sprzętu domowego, użytkownicy mogą się zwrócić do właściwych służb miejskich lub do skupujących go sprzedawców.

Odlączenie prądu elektrycznego

Przed każdą czynnością należy odłączyć urządzenie od sieci zasilania elektrycznego.

Mycie urządzenia

! Unikać stosowania środków czyszczących o właściwościach ściernych lub korozyjnych, takich jak produkty w sprayu do barbecue i piecyków, odplamiacze i środki przeciwrdzewne, detergenty w proszku oraz gąbki z powierzchnią ścierającą: mogą one w sposób nieodwracalny zarysować powierzchnię.

! Do czyszczenia urządzenia nigdy nie należy używać oczyszczaczy parowych lub wysokociśnieniowych.

- W ramach zwykłej konserwacji wystarczy przemywać płytę wilgotną gąbką i osuszać ją papierowym ręcznikiem kuchennym.
- Jeśli płyta jest szczególnie silnie zabrudzona, wyczyścić ją przy pomocy odpowiedniego produktu do czyszczenia powierzchni szklano-ceramicznych, spłukać i osuszyć.
- W celu eliminacji najtrudniejszych do usunięcia zanieczyszczeń posługiwać się odpowiednią skrobaczką. Usuwać zanieczyszczenia zaraz jak tylko jest to możliwe, nie czekając aż urządzenie ostygnie, tak aby resztki żywności nie stwardniały. Znakomite wyniki można uzyskać stosując gąbkę drucianą ze stali nierdzewnej - specjalną do szklano-ceramicznych płyt grzejnych - nasączoną wodą i mydłem.
- Jeśli na płycie grzejnej stopią się przypadkowo przedmioty lub materiały, takie jak plastik albo cukier, należy je usunąć przy pomocy skrobaczki, dopóki powierzchnia jest jeszcze ciepła.
- Po oczyszczeniu płyta może zostać pokryta odpowiednim produktem do konserwacji i ochrony: jego niewidoczna

warstwa chroni powierzchnię w przypadku wykipienia potraw podczas gotowania. Zaleca się wykonywanie tych czynności, gdy urządzenie jest letnie lub zimne.

- Należy pamiętać, aby zawsze spłukać płytę czystą wodą i dokładnie ją osuszyć: resztki produktów mogłyby bowiem przykleić się do jej powierzchni podczas następnego gotowania.

Rama ze stali nierdzewnej (tylko w modelach z ramką)

Na stali nierdzewnej mogą powstawać plamy w przypadku pozostawienia na jej powierzchni przez dłuższy czas bardzo twardej wody lub w przypadku stosowania środków czystości zawierających fosfor.

Zaleca się obficie spłukać i dokładnie osuszyć płytę po umyciu. W przypadku rozlania wody, należy ją jak najszybciej dokładnie wytrzeć.

! Niektóre płyty grzejne mają ramkę aluminiową, która jest podobna do ramki ze stali nierdzewnej. Nie należy stosować produktów do mycia i odtłuszczania innych niż przeznaczone do aluminium.

Demontaż płyty

W razie konieczności zdemontowania płyty grzejnej:

1. odkręcić śruby przy pomocy których sprężyny centrujące są przymocowane do boków płyty;
2. poluzować śruby uchwytów mocujących w rogach;
3. wyjąć płytę grzejną z mebla.

! Odradza się ingerencję w wewnętrzne mechanizmy urządzenia z zamiarem dokonania naprawy. W przypadku awarii skontaktować się z Serwisem.

Opis techniczny modeli

W tych tabelach podane są, kolejno dla każdego modelu, wartość pochłanianej energii, typ elementu grzejnego oraz średnica każdego pola grzejnego.

Płyty grzejne	VRM 641 D C VRM 641 D X VRM 641 MD IX VRM 641 MD C		VEM 645 C	
	Moc (w W)	Średnica (w mm)	Moc (w W)	Średnica (w mm)
Tylnie lewe	HD 2200/1000	210/140	A 2200	210
Tylnie prawe	H 1400	160	H 1400	160
Przednie lewe	H 1200	145	H 1200	145
Przednie prawe	H 1800	180	H 1800	180
Moc całkowita	6600		6600	

Płyty grzejne	VRM 640 C VRM 640 X VRM 640 VRM 640 M IX VRM 640 M C		VRM 630 C VRM 630 M C	
	Moc (w W)	Średnica (w mm)	Moc (w W)	Średnica (w mm)
Tylnie lewe	H 1800	180	H 2300	210
Tylnie prawe	H 1400	160	H 1400	160
Przednie lewe	H 1200	145		
Przednie prawe	H 1800	180	H 1800	180
Moc całkowita	6200		5500	

Legenda:

H = highlight pojedyncze

HD = highlight podwójne

A = halogenowe pojedyncze

Монтаж

RS

! Важно сохранить данное руководство для его последующих консультации. В случае продажи, передачи изделия или при переезде на новое место жительства необходимо проверить, чтобы руководство оставалось вместе с изделием, для того чтобы его новый владелец мог ознакомиться с правилами эксплуатации и с соответствующими предупреждениями.

! Внимательно прочитайте инструкции: в них содержатся важные сведения о монтаже изделия, его эксплуатации и безопасности.

Расположение

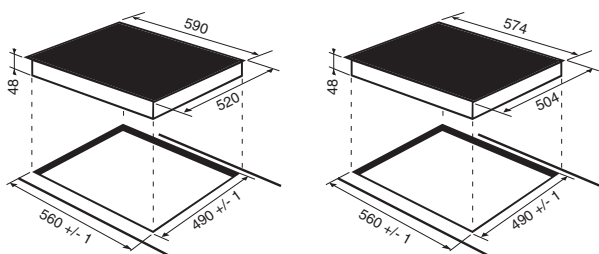
! Не разрешайте детям играть с упаковочными материалами. Упаковка должна быть уничтожена в соответствии с правилами сбора мусора (*см. Предосторожности и рекомендации*).

! Монтаж изделия производится в соответствии с данными инструкциями квалифицированными специалистами. Неправильный монтаж изделия может стать причиной повреждения имущества и причинить ущерб людям и домашним животным.

Встроенный монтаж

Для обеспечения исправного функционирования встраиваемого изделия кухонный модуль должен иметь соответствующие характеристики:

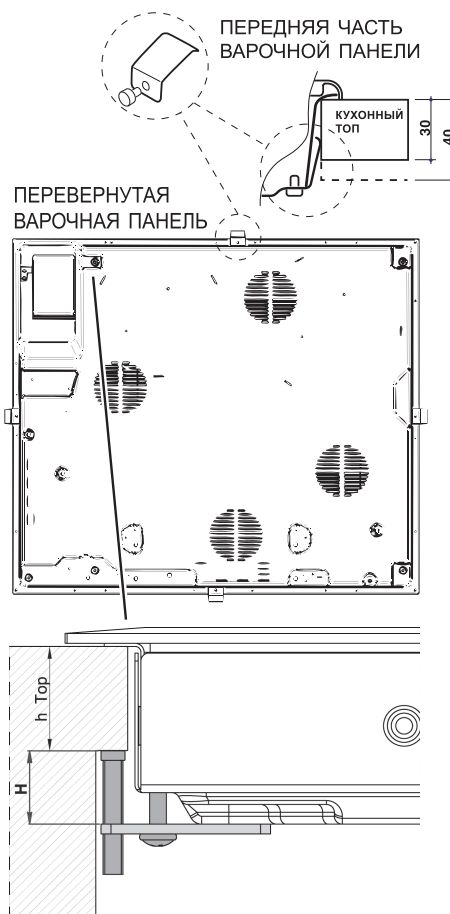
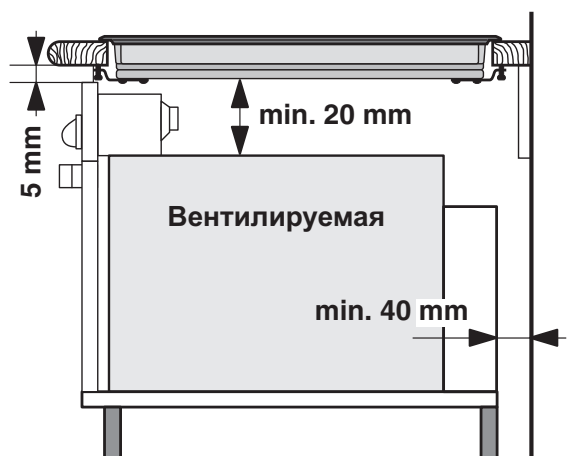
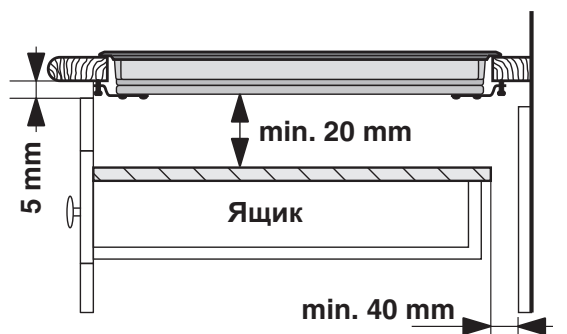
- поверхность кухонного топа должна быть из материала, устойчивого к температуре примерно 100°C;
- если варочная панель устанавливается над духовым шкафом, он должен быть оснащен системой охлаждения с принудительной вентиляцией.
- не рекомендуется устанавливать варочную панель над посудомоечными машинами: при необходимости установите между варочной панелью и посудомоечной машиной герметичную разделительную вставку;
- в зависимости от модели варочной панели, которую вы устанавливаете (*см. схемы*), размеры ниши в кухонном модуле должны быть следующими:



Вентиляция

Для обеспечения надлежащей вентиляции и во избежание перегрева прилегающих поверхностей варочная панель должна быть установлена:

- на минимальном расстоянии 40 мм от задней стенки;



- между проемом под варочную панель и расположенным снизу кухонным элементом должно быть расстояние не менее 20 мм.
- Кухонные элементы, расположенные рядом с кухонной плитой, высота которых превышает уровень варочной панели, должны находиться на расстоянии не менее 600 мм от края варочной панели.

Крепление

Изделие должно быть установлено на идеально ровной поверхности. Возможные деформации, вызванные неправильным креплением, могут привести к изменениям характеристик и эксплуатационных качеств варочной панели.

Длина регулиционного винта крепежных крюков регулируется перед началом монтажа по толщине кухонного топа:

- толщина 30 мм: длина винта 17,5 мм;
- толщина 40 мм: длина винта 7,5 мм;

Порядок крепления изделия:

1. При помощи коротких тупых шурупов привинтите 4 центровочные пружины в отверстиях, расположенных по бокам варочной панели;
2. Вставьте варочную панель в проем в кухонном модуле, выровняйте и слегка нажмите в центр вплоть до идеального прилегания варочной панели к поверхности кухонного топа.
3. для варочных панелей с боковыми профилями: вставив варочную панель в нишу кухонного модуля, вставьте 4 крепежных крюка (каждый со своим штифтом) по нижнему периметру варочной панели, закручивая их длинными острыми болтами до тех пор, пока стекло не будет плотно прилегать к кухонному топу.

! Важно, чтобы шурупы центровочных пружин оставались доступными.

! В соответствии с правилами безопасности после установки изделия в кухонный модуль должна быть исключена возможность касания к электрическими частями.

! Все защитные элементы должны быть закреплены таким образом, чтобы их можно было снять только при помощи специального инструмента.

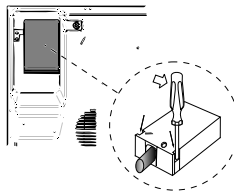
Электрическое подключение

! Электрическое подключение варочной панели и возможного встраиваемого духового шкафа должно выполняться отдельно по причинам безопасности, а так же для легкого съема духового шкафа.

Клеммная колодка

В нижней части изделие оснащено колодкой для подсоединения разных видов электропитания (рисунок приводится для примера и может не соответствовать модели вашего изделия).

ПЕРЕВЕРНУТАЯ ВАРОЧНАЯ ПАНЕЛЬ



Монофазное соединение

Варочная панель оснащена сетевым кабелем, рассчитанным на монофазное электропитание. Подсоедините провода в соответствии с таблицей и приведенным ниже схемат:

Типовое напряжение и частота сети	Электрический провод	Подсоединение проводов
220-240В 1+N ~ 50/60 Гц		≡: желто-зеленый; N: 2 синий провода вместе на L: коричневый вместе с черным

Другие типы соединений

Если электропроводка соответствует одной из следующих характеристик:

Типовое напряжение и частота сети

- 400В - 2+N ~ 50/60 Гц
- 220-240В 3 ~ 50/60 Гц
- 400В - 2+2N ~ 50/60 Гц

Разделите провода и подсоедините проводники в соответствии с таблицей и приведенным ниже схемат:

Типовое напряжение и частота сети	Электрический провод	Подсоединение проводов
400В -2 +N ~ 50/60 Гц 220-240В 3 ~ 50/60 Гц		≡: желто-зеленый, N: 2 синий провода вместе на L1: черный L2: коричневый
400В -2 +2N ~ 50/60 Гц		≡: желто-зеленый; N1: синий N2: синий L1: черный L2: коричневый

Если электропроводка соответствует одной из следующих характеристик:

Типовое напряжение и частота сети

- 400В 3 - N ~ 50/60 Гц

выполните следующее:

! Возможный прилагающийся сетевой кабель нельзя использовать для такого типа монтажа.

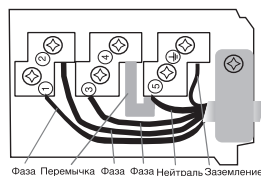
1. Используйте надлежащий сетевой кабель типа H05RR-F или с большим значением, надлежащего размера (сечение кабеля: 25 мм).
2. При помощи отвертки поднимите язычки крышки клеммной колодки и откройте ее (см. изображение клеммной колодки).
3. Отвинтите прижимной винт провода и винты зажимов, соответствующих типу необходимого соединения, затем установите соединительные перемычки согласно таблице и приведенным ниже схемат.

4. Расположите проводники согласно таблице и приведенным ниже схемам и подсоедините их, до упора закрутив все винты зажимов.

Типовое напряжение и частота сети	Электропитание	Зажимная коробка
400В 3-N ~ 50/60 Гц		Трехфазный 400

5. Зафиксируйте сетевой кабель в специальном кабельном сальнике и закройте крышку.

Трехфазное 400



Подсоединение сетевого кабеля изделия к сети электропитания

В случае прямого подключения изделия к сети необходимо установить между изделием и электрической сетью многополярный разъединитель с минимальным расстоянием между контактами 3 мм.

! Электромонтер несет ответственность за правильное подключение изделия к электрической

сети и за соблюдение правил безопасности.

Перед осуществлением электрического подсоединения необходимо проверить следующее:

- сетевая розетка должна быть соединена с заземлением и соответствовать нормативам;
- сетевая розетка должна быть рассчитана на максимальную потребляемую мощность изделия, указанную на паспортной табличке с техническими характеристиками;
- напряжение и частота тока сети должны соответствовать электрическим данным изделия;
- сетевая розетка должна быть совместима со штепсельной вилкой изделия. В противном случае замените розетку или вилку; не используйте удлинители или тройники.

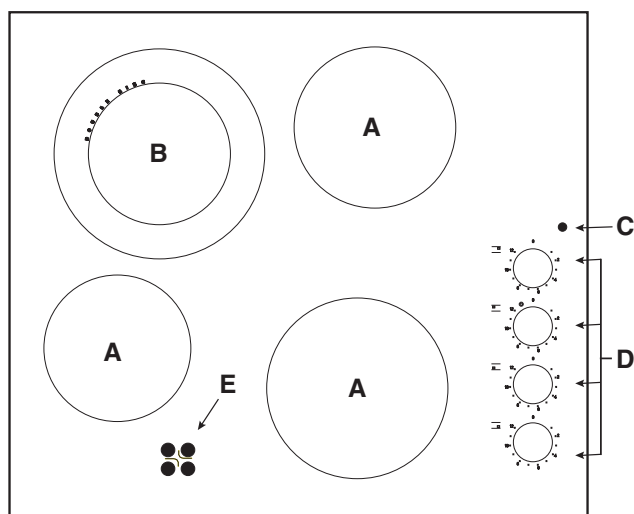
! Изделие должно быть установлено таким образом, чтобы сетевой кабель и сетевая розетка были легко доступны.

! Сетевой кабель изделия не должен быть согнут или сжат.

! Регулярно проверяйте состояние сетевого кабеля и при необходимости поручайте его замену только уполномоченным техникам.

! **Производитель не несет ответственности за последствия несоблюдения перечисленных выше требований.**

! Категорически запрещается отсоединять и не заменять сетевой кабель. В случае отсоединения или замены сетевого кабеля гарантия на изделие аннулируется, равно как и маркировка ЕС. Компания INDESIT снимает с себя всякую ответственность за несчастные случаи или ущерб, вызванный отсоединением или заменой оригинального сетевого кабеля. Допускается замена только на оригинальный сетевой кабель, выполняемая техником, уполномоченным Компанией INDESIT.



Включение стеклокерамической варочной панели

Традиционные конфорки

Традиционные нагревательные элементы (А) состоят из круглых спиралей, раскаляющихся докрасна только по прошествии нескольких десятков секунд после их включения. Каждая варочная зона управляется рукояткой (D), позволяющей выбрать 12 различных температур от минимального значения 1 до максимального 12.

Расширяющиеся варочные зоны

Расширяющиеся нагревательные элементы (В) отличаются наличием двойной нагревательной зоны. Можно включить только внутреннюю часть варочной зоны или обе.

Регулятор (D) позволяет выбрать один из двух уровней мощности, оба из которых настраиваются от минимального значения 1 до максимального 12:

- поворачивая регулятор по часовой стрелки с 1 на 12, задается более низкий уровень мощности.
- повернув регулятор до упора (⊙), что заметно по легкому щелчку, включается максимальная мощность, которая может быть в свою очередь отрегулирована от 12 до 1, поворачивая регулятор против часовой стрелки. Для возврата к минимальной мощности необходимо повернуть регулятор в положение 0.

В случае двойных варочных зон первая часть поворота регулятора включает меньшую зону (внутреннюю). Для включения обеих зон (внутренней и внешней) необходимо повернуть регулятор до упора (⊙) и выбрать нужный уровень мощности от 12 до 1.

Рекомендуемые уровни мощности для различных типов приготовления:

Поз.	Электрическая конфорка
0	Выключено
1	Для топления сливочного масла, шоколада
2	Для разогревания жидкостей
3	
4	Для кремов и соусов
5	
6	Для приготовления при температуре кипения
7	
8	Для жаркого
9	
10	Для крупных вареных блюд
11	
12	Для фритюра
⊙	Включение обеих зон нагрева

Индикатор работы (C)

Включен, когда включена какая-то из нагревательных зон.

Индикатор остаточного тепла (E)

Означает, что температура одной или нескольких варочных зон превышает 60°C даже после выключения варочной зоны. Некоторые модели варочных панелей оснащены 4 индикаторами остаточного тепла, по одному на каждую варочную зону.

Предосторожности и рекомендации

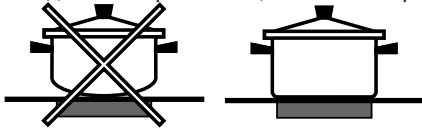
RS

! Изделие спроектировано и изготовлено в соответствии с международными нормативами по безопасности. Необходимо внимательно прочитать настоящие предупреждения, составленные в целях вашей безопасности.

Практические советы по эксплуатации изделия

Кроме того для больше эффективности варочной панели следует:

- Использовать посуду с плоским толстым дном, идеально прилегающим к зоне нагрева;



- Использовать посуду с дном такого диаметра, чтобы полностью закрыть варочную зону для оптимального использования всего выделяемого тепла.



- Проверить, чтобы дно используемой посуды было всегда совершенно сухим и чистым для идеального прилегания к варочной зоне и для долгого срока службы как варочной панели, так и самой посуды.
- Не следует использовать на данной варочной панели посуду, использованную на газовых конфорках. концентрация тепла на газовых конфорках может деформировать дно посуды и нарушить прилегание к варочной зоне;

CE Данное оборудование отвечает требованиям нижеуказанных Директив Европейского

Сообщества:

- 2006/95/CEE от 12/12/06 (Низкое напряжение) с последующими изменениями
- 2004/108/CEE от 15.12.04 (Электромагнитная совместимость) и последующими изменениями
- 93/68/CEE от 22.07.93 с последующими изменениями.

Общие правила безопасности

! Проверьте, чтобы вентиляционная решетка всегда была открытой. Встраиваемая варочная панель требует эффективной вентиляции для охлаждения электронных компонентов.

- Данное изделие предназначается для непрофессионального использования в домашних условиях.
- Запрещается устанавливать изделие на улице, даже под навесом, так как воздействие на него дождя и грозы является чрезвычайно опасным.
- Не прикасайтесь к изделию влажными руками, босиком или с мокрыми ногами.
- **Изделие предназначено для приготовления пищевых продуктов, может быть использовано только взрослыми лицами в соответствии с инструкциями, приведенными в данном техническом руководстве. Любое другое его**

использование (например: отопление помещения) считается ненадлежащим и следовательно опасным. Производитель не несет ответственности за возможный ущерб, вызванный ненадлежащим, неправильным и неразумным использованием изделия.

- Не используйте варочную панель в качестве стола или для нарезки продуктов.
- Стеклокерамическая варочная панель устойчива к механическим ударам, тем не менее она может треснуть (или даже разбиться) при ударе острым предметом или инструментом. В этом случае незамедлительно отсоедините изделие от сети электропитания и обратитесь в Центр технического обслуживания.
- Избегайте касания сетевых шнуров других бытовых электроприборов к горячим частям варочной панели.
- Помните, что температура варочных зон остается очень высокой в течение тридцати минут после их выключения. Остаточное тепло показывается также индикатором (см. *Включение и эксплуатация*).
- Держите на безопасном расстоянии от варочной панели любые предметы, которые могут расплавиться, например, пластмасса, алюминий или изделия из сахара. Обращайте особое внимание на упаковочные материалы, полиэтиленовую или алюминиевую пленку: если оставить эти материалы на еще горячей или теплой поверхности, они могут серьезно повредить варочную панель.
- Следите, чтобы ручки кастрюль на варочной панели были всегда повернуты таким образом, чтобы вы не могли случайно задеть их.
- Не тяните за сетевой кабель для отсоединения вилки изделия из сетевой розетки, возьмитесь за вилку рукой.
- Перед началом чистки или технического обслуживания изделия всегда вынимайте штепсельную вилку из сетевой розетки.
- Эксплуатация изделия лицами (включая детей) с ограниченными физическими, сенсорными или умственными способностями, неопытными лицами или лицами, незнакомыми с правилами эксплуатации данного изделия, запрещается без контроля со стороны лица, отвечающего за их безопасность, или без обучения правилам пользования изделием.
- Не разрешайте детям играть с бытовым электроприбором.
- Если на вашей варочной панели имеются галогенные варочные зоны, не смотрите на них долго.



Утилизация

- Уничтожение упаковочных материалов: соблюдайте местные нормативы с целью повторного использования упаковочных материалов.
- Согласно Европейской Директиве 2002/96/CE касательно утилизации электронных и электрических электроприборов электроприборы не должны выбрасываться вместе с обычным городским мусором. Выведенные из строя приборы должны собираться отдельно для оптимизации их утилизации и рекуперации составляющих их материалов, а также для безопасности окружающей среды и здоровья. Символ зачеркнутая мусорная корзинка, имеющийся на всех приборах, служит напоминанием об их отдельной утилизации. За более подробной информацией о правильной утилизации бытовых электроприборов пользователи могут обратиться в специальную государственную организацию или в магазин.

Отключение электропитания

Перед началом какой-либо операции по обслуживанию или чистке отсоедините изделие от сети электропитания.

Чистка изделия

! Не следует пользоваться абразивными или коррозивными чистящими средствами такими как спрей для чистки духовок и мангалов, пятновыводители или средства для удаления ржавчины, порошковыми чистящими средствами или абразивными губками: они могут необратимо поцарапать поверхность изделия.

! Не используйте паровые чистящие агрегаты или агрегаты под высоким давлением для чистки изделия.

- В качестве регулярного ухода достаточно вымыть варочную панель влажной губкой и затем протереть насухо кухонным бумажным полотенцем.
- Если варочная панель сильно загрязнена, используйте специальное чистящее средство для стеклокерамических поверхностей, ополосните водой и протрите насухо.
- Для удаления особо сильных загрязнений используйте специальный скребок. Удаляйте загрязнения незамедлительно, не дожидаясь охлаждения изделия, во избежание затвердевания остатков пищи. Очень удобна для чистки варочной панели мочалка из проволоки из нержавеющей стали, специально для стеклокерамических поверхностей, смоченная в мыльном растворе.
- Если на варочной панели случайно расплавились какие-либо предметы или пластиковые материалы или сахар, незамедлительно удалите их скребком с еще горячей поверхности.
- По завершении чистки варочная панель может быть обработана специальным защитным средством для ухода за стеклокерамическими поверхностями: это средство образует на поверхности варочной панели невидимую защитную пленку, предохраняющую поверхность в случае утечек пищи в процессе приготовления. Рекомендуется производить чистку, когда варочная панель едва теплая или холодная.

- Следует всегда ополаскивать варочную панель чистой водой и насухо вытирать: возможные остатки чистящих средств могут затвердеть при последующей готовке.

Структура из нержавеющей стали (только в моделях с рамкой)

На поверхности из нержавеющей стали могут образоваться пятна от воды с большим содержанием извести, если она будет воздействовать на поверхность в течение длительного времени, или при использовании чистящих средств, содержащих фосфор. Рекомендуется тщательно ополоснуть и вытереть варочную панель после чистки. В случае случайного проливания воды незамедлительно удалите ее.

! Некоторые варочные панели оснащены алюминиевой рамкой, похожей на нержавеющую сталь. Для чистки рамки не используйте средства, непригодные для алюминия.

Порядок демонтажа варочной панели

При необходимости демонтировать варочную панель:

1. снимите шурупы, крепящие скобы центровочные пружины;
2. ослабьте шурупы крепежных крючков по углам;
3. выньте варочную панель из ниши.

! Не рекомендуется открывать внутренние комплектующие для попытки самостоятельно выполнить ремонт. В случае неисправности обращайтесь в Центр технического обслуживания.

Техническое описание моделей

01/2011 - 195065975.04
XEROX FABRIANO

RS

В этих таблицах для каждой модели указываются значения поглощения электроэнергии, тип нагревательного элемента и диаметр каждой варочной зоны.

Условные обозначения:

H = одинарная варочная зона "highlight"

HD = двойная варочная зона "highlight"

A = галогенная одинарная

Модели варочных панелей	VRM 641 D C VRM 641 D X		VEM 645 C	
	Мощность (Вт)	Диаметр (мм)	Мощность (Вт)	Диаметр (мм)
Задняя левая	HD 2200/1000	210/140	A 2200	210
Задняя правая	H 1400	160	H 1400	160
Передняя левая	H 1200	145	H 1200	145
Передняя правая	H 1800	180	H 1800	180
Общая мощность	6600		6600	

Модели варочных панелей	VRM 640 C VRM 640 X VRM 640		VRM 630 C	
	Мощность (Вт)	Диаметр (мм)	Мощность (Вт)	Диаметр (мм)
Задняя левая	H 1800	180	H 2300	210
Задняя правая	H 1400	160	H 1400	160
Передняя левая	H 1200	145		
Передняя правая	H 1800	180	H 1800	180
Общая мощность	6200		5500	

Изделие:	Электрическая плита
Торговая марка:	 Indesit
Торговый знак изготовителя:	
Модель:	VEM 645 C* VRM 640 C* VRM 640 X* VRM 641 D C* VRM 641 D X* VRM 640* VRM 630 C* VRM 640 M IX** VRM 640 M C** VRM 641 MD IX** VRM 641 MD C** VRM 630 M C**
Изготовитель:	Indesit Company
Страна-изготовитель:	Польша
Габаритные размеры духового шкафа	4,8x57,4x50,4 cm
Номинальное значение напряжения электропитания или диапазон напряжения	220-240 / 400V 3N~
Условное обозначение рода электрического тока или номинальная частота переменного тока	50/60Hz
Класс защиты от поражения электрическим током	Класс защиты I
Класс энергопотребления	--
   	Директива ЕС: Директива ЕС: 2006/95/ЕС от 12/12/06 (Низкое напряжение) с последующими изменениями – 2004/108/ЕС от 15/12/04 (Электромагнитная совместимость) с последующими изменениями- 90/68/СЕЕ от 22/07/93 с последующими изменениями – 2002/96/ЕС. 1275/2008 (Stand-by/ Off mode)
В случае необходимости получения информации по сертификатам соответствия или получения копий сертификатов соответствия на данную технику, Вы можете отправить запрос по электронному адресу cert.rus@indesit.com .	
Дату производства данной техники можно получить из серийного номера, расположенного под штрих-кодом (S/N XXXXXXXXXX * XXXXXXXXXX), следующим образом:	- 1-ая цифра в S/N соответствует последней цифре года. - 2-ая и 3-я цифры в S/N - порядковому номеру месяца года, - 4-ая и 5-ая цифры в S/N - числу определенного месяца и года.
Производитель:	Indesit Company S.p.A. Виа Ле А. Мерлони 47, 60044, Фабриано (АН), Италия
Импортер:	ООО "Индезит РУС"
С вопросами (в России) обращаться по адресу:	до 01.01.2011: Россия, 129223, Москва, Проспект Мира, ВВЦ, пав. 46 с 01.01.2011: Россия, 127018, Москва, ул. Двинцев, дом 12, корп. 1

تعليمات التشغيل

رف تسخين

عربي

المحتويات

التركيب،

تحديد الموضع
التوصيلات الكهربائية

وصف الجهاز،

تشغيل رف التسخين السيراميكي

وسائل حذر ونصائح،

نصائح عملية لاستخدام الجهاز
الوقاية العامة
التخلص

العناية والصيانة،

إيقاف تشغيل الجهاز
تنظيف الجهاز
تفكيك الرف

وصف تقني للطرازات،

GB

English, 17

FR

Français, 9

IT

Italiano, 1

PT

Português, 41

ES

Espanol, 33

DE

Deutsch, 25

RS

Русский, 65

NL

Nederlands, 57

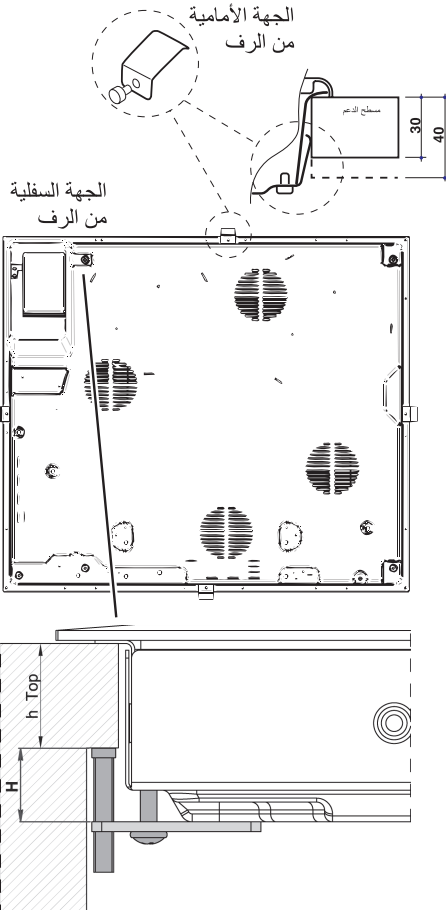
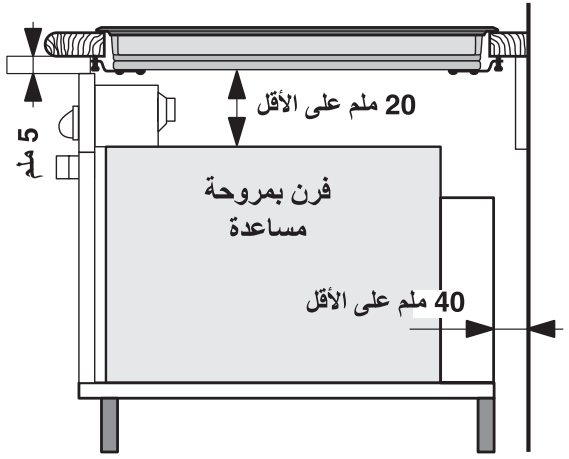
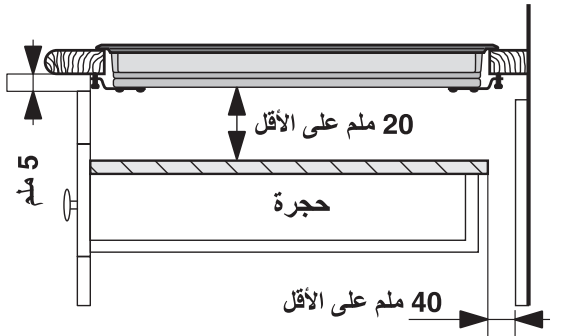
PL

Polski, 49

عربي

عربي،

VEM 645 C
VRM 640 C
VRM 640 X
VRM 641 D C
VRM 641 D X
VRM 640
VRM 630 C
VRM 640 M IX
VRM 640 M C
VRM 641 MD IX
VRM 641 MD C
VRM 630 M C



! قبل تشغيل جهازك الجديد، يرجى قراءة نشرة المعلومات هذه بعناية. إنها تحتوي على معلومات هامة فيما يتعلق بالعمل الآمن، التركيب وصيانة الجهاز.
! الرجاء الاحتفاظ بمعلومات التشغيل هذه لمراجعتها في المستقبل. قم بتحويلها إلى أي من مالكي الجهاز الجدد.

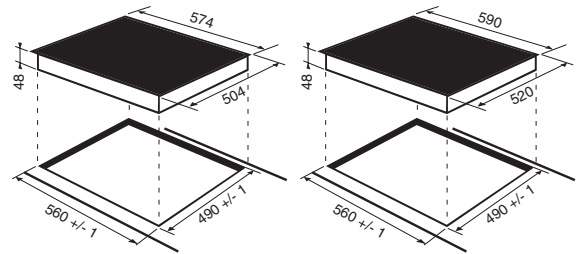
تحديد الموضع

! أبعد مواد التعبئة عن متناول يد الأولاد. يمكن لها أن تسبب خطر الاختناق (انظر وسائل الحذر والنصائح).
! يجب تركيب الجهاز من قبل شخص مؤهل بموجب التعليمات المزودة. التركيب غير الصحيح يمكن أن يلحق الأذى بالناس وبالحيوانات أو أن يلحق الضرر بالأموال.

جهاز مبني (بيلت إن)

استخدم المقصورة الملائمة للتأكد من أن الجهاز يعمل بشكل صحيح.

- على مسطح الدعم أن يكون مقاوما للحرارة حتى درجة حرارة تعادل 100 درجة مئوية.
- إذا توجب تركيب الجهاز فوق فرن، يجب على الفرن أن يكون مزوداً بنظام تهوية للتبريد.
- تحاشي تركيب الرف فوق ماكينة غسل الأطباق: إذا لم يكن بالإمكان تحاشي ذلك، ضع مسطحا عازلا للماء بين الجهازين.
- استنادا إلى الرف الذي تود تركيبه، على الخزانة أن تثبت بالمقاييس التالية (انظر الرسم):



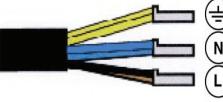
التهوية

- لتوفير تهوية كافية ولتحاشي الإحماء المفروض للمساحات المجاورة، يجب موضوعة الرف كما يلي:
- على بعد بحد أدنى من 40 ملم عن اللوحة الخلفية.
 - وكذلك الحفاظ على حد أدنى من 20 ملم بين فجوة التركيب والخزانة السفلية.
 - على خزائن المطبخ المجاورة للجهاز أن تكون متلائمة مع الجهاز وأن تكون أعلى من الجزء العلوي من رف التسخين بما لا يقل عن 600 ملم من طرف الرف.

توصيل أحادي الطور

التثبيت

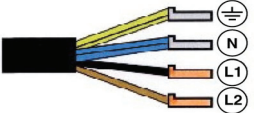
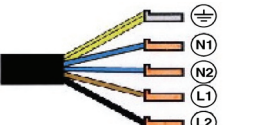
الرف مزود بكبل تغذية كهربائية موصل مسبقاً، تم تصميمه لتوصيل أحادي الطور. قم بتوصيل الأسلاك بما يتلاءم مع التعليمات المدرجة في الجدول التالي وفي الرسومات:

توصيلات الأسلاك	الكبل الكهربائي	الفولطية وتردد الشبكة الكهربائية
⚡ : الأصفر/الأخضر N: السلنك الأزرق مع L: البني والأسود معاً		230-240V 1+N ~ 50/60 هرتس

أنواع التوصيلات الأخرى

إذا تطابقت شبكة الكهرباء الرئيسية مع أحد ما يلي:
 الفولطية وتردد الشبكة الكهربائية
 400V - 2+N ~ 50/60 Hz •
 220-240V 3 ~ 50/60 Hz •
 400V - 2+2N ~ 50/60 Hz •

قم بعزل الأسلاك وتوصيلها وفق التعليمات المدرجة في الجدول التالي وفي الرسومات:

توصيلات الأسلاك	الكبل الكهربائي	الفولطية وتردد الشبكة الكهربائية
⚡ : أصفر/أخضر؛ N: السلنك الأزرق مع L1: الأسود L2: البني		400V - 2+N ~ 50/60 هرتس 220-240V 3 ~ 50/60 هرتس
⚡ : أصفر/أخضر؛ N1: أزرق N2: أزرق L1: الأسود L2: البني		400V - 2+2N ~ 50/60 هرتس

إذا تطابقت شبكة الكهرباء الرئيسية مع أحد ما يلي:
 الفولطية وتردد الشبكة الكهربائية
 400V 3 - N ~ 50/60 Hz •
 تابع كما يلي:

! الكبل المزود لا يلائم أنواع التركيب التالية.

1. استخدم كبل تزويد ملائم، H05RR-F أو أعلى مع المقاييس الصحيحة (المقطع العرضي للكبل: 25 ملم).
2. لفتح اللوحة النهائية، أدخل مفك براغي كرافعة للألسنة الجانبية في الغطاء (أنظر صورة اللوحة النهائية).
3. حرر برغي ملقط الكبل وبراغي اللوحة النهائية وفقاً لنوع التوصيل المراد به وقم بموضعة دعم التوصيلات كما هو مبين في القائمة والرسومات أدناه.

يجب تركيب الجهاز على مسطح دعم ثابت تماماً. يمكن لأي تشوهات يسببها التثبيت غير الصحيح أن تؤثر على مزايا عمل الرف.

على سمك مسطح الدعم أن يؤخذ بالحسبان عند اختيار طول براغي عققات التثبيت:

- 30 ملم سمك: براغي 17.5 ملم
- 40 ملم سمك: براغي 7.5 ملم

قم بتثبيت الرف كما يلي:

1. استخدم البراغي القصيرة ذات الأرضية المسطحة لتثبيت زنبركات المعايرة الـ 4 في الشقوق المزودة في النقطة المركزية من كل جهة من الرف.
2. ضع الرف داخل الفجوة، تأكد من أنه ممرکز وادفعه باتجاه الأسفل بكل محيطه حتى يثبت الرف داخل مسطح التثبيت.
3. للرفوف المزودة بحوافي مرتفعة: بعد إدخال الرف في الفجوة، أدخل عققات التثبيت الـ 4 (لكل منها دبوس خاص بها) داخل الأطراف السفلية في الرف، باستخدام البراغي الطويلة الحادة لتثبيتها في مكانها، حتى يعلق الزجاج بمسطح الدعم.

! يجب إبقاء البراغي التي تعابر الرفافات قابلة للوصول.

! بهدف التقيد بمعايير الوقاية، على الجهاز ألا يلامس الأجزاء الكهربائية ابتداءً من لحظة تركيبه.

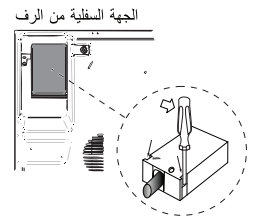
! على جميع الأجزاء التي تضمن أمان الجهاز ألا تتم إزالتها من دون مساعدة أداة.

التوصيلات الكهربائية

! يجب إنجاز التوصيلات الكهربائية للرف أو لأي فرن كهربائي مبني كل على حدة، وذلك لأهداف وقائية ولجعل إخراج الفرن أكثر سهولة.

اللوحة النهائية

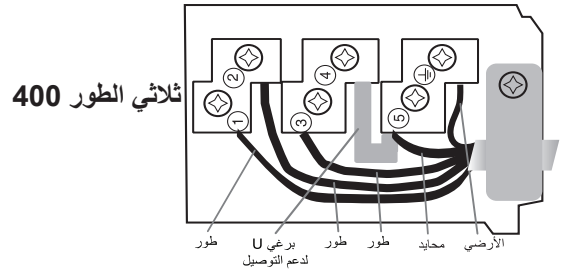
توجد في الجزء السفلي من الجهاز علبة توصيل للطرازات المختلفة من التزويد الكهربائي (الصورة للدلالة فقط ولا تعبر عن الطراز الذي تم شراؤه بالضبط).



4. قم بموضعة الأسلاك وفقا للجدول المبين أدناه والرسومات ووصل الجهاز عن طريق تثبيت كل البراغي الزميركات قدر الإمكان.

اللوحة النهائية	التوصيلات الكهربائية	الفولطية وتردد الشبكة الكهربائية
ثلاثي الطور 400		400V 3-N ~ 50/60 هرتس

5. ثبت كبل تزويد الطاقة عن طريق شد برغي ملقط الكبل، ثم أعد الغطاء ثانياً.



قم بتوصيل كبل تزويد الكهرباء بالشبكة الكهربائية الرئيسية

إذا تم توصيل الجهاز بالشبكة الكهربائية الرئيسية مباشرة يجب تركيب قاطع دائرة أحادي القطب مع فتحة تماس من 3 ملم على الأقل بين نقاط التماس.

! على من يقوم بالتركيب أن يتأكد من أن التوصيلات الكهربائية الصحيحة قد تم إنجازها وأنها تتوافق تماما مع قواعد الوقاية.

قبل توصيل الجهاز بتزويد الطاقة، تأكد من أن:

- الجهاز مؤرض وشمعة الاشتعال تدعن للقانون.
- المقبس يصمد أمام الطاقة القصوى في الجهاز، المشار إليها في لوحة البيانات الموجودة على الجهاز ذاته.
- الجهد الكهربائي في نطاق يتراوح بين القيم المشار إليها في لوحة البيانات.
- أن المقبس متوافق مع قابس الجهاز. إذا لم يكن المقبس متوافقا مع القابس، أطلب من فني مؤهل أن يقوم بتغييره. لا تستخدم كبلات الإطالة أو المقابس المتعددة.

! بعد أن تم تركيب الجهاز، يجب أن يكون كبل تزويد الطاقة والمقبس الكهربائي قابلين للوصول السهل.

! على الكبل ألا يكون معوجا أو مضغوطا.

! يجب فحص الكبل بانتظام وتبديله من قبل تقني مؤهل فقط.

! لا يتحمل المصنع أية مسؤولية في حال عدم التقيد بتدابير الوقاية هذه.

! لا تقم بإزالة أو استبدال كبل تزويد الطاقة لأي سبب. سوف يؤدي إزالة أو استبدال الكبل إلى إلغاء الضمان والتصديق لدى الاتحاد الأوروبي (CE Marketing). لا تتحمل INDESIT أية مسؤولية تجاه الحوادث أو الأضرار الناجمة عن استبدال/إزالة كبل تزويد الطاقة الأصلي. لا يمكن السماح بالاستبدال إلى عندما يتم بواسطة الفني المؤهل المعتمد لدى INDESIT وباستخدام قطع الغيار الأصلية.

مستويات الطاقة الموصى بها لأنواع المختلفة من الطهي:

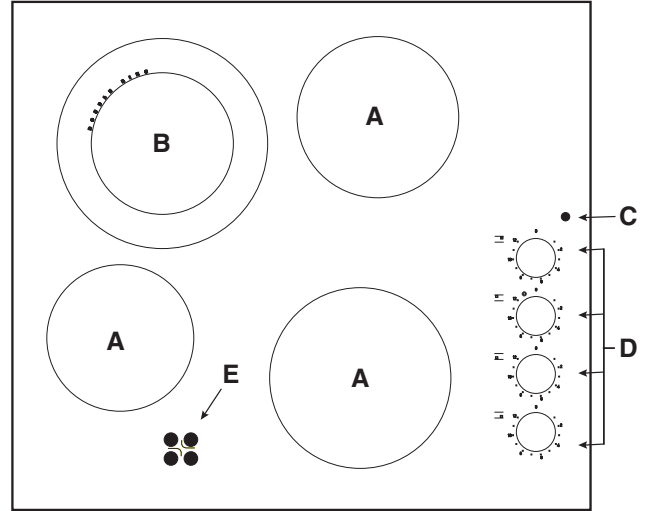
الضبط	محرق متوهج
0	موقف.
1	لإذابة الزبد والشكولاتة.
2	لتسخين السوائل.
3	
4	للكريمة والصلصات.
5	
6	للتبخير عند نقطة الغليان.
7	
8	للمشويات.
9	
10	لغلي قطع كبيرة من اللحم.
11	
12	للقلي.
	لاستخدام كلا منطقتي التبخير.

مؤشر التشغيل (C)

يضيء هذا المؤشر عند تنشيط مجال التسخين.

مؤشرات التسخين الزائد (E)

يشير هذا المؤشر إلى أن مجالاً واحداً أو أكثر من مجالات الطهي تكون بدرجة حرارة أعلى من 60°C، حتى بعد إيقاف تشغيل مجالات الطهي. بعض الطرازات مزودة بـ 4 مؤشرات للتسخين الزائد، واحد لكل مجال طهي.



تشغيل رف التسخين السيراميكي

مجالات الطهي التقليدية

مجالات الطهي التقليدية (A) مؤلفة من عناصر تسخين دائرية. يتحول لونها إلى اللون الأحمر بعد حوالي عشر ثوانٍ من تشغيلها. كل مجال طهي مزود بمفتاح تحكم (D)، يتيح الاختيار بين 12 إعدادات مختلفة لدرجة الحرارة من 1 وحتى الحد الأقصى 12.

مجالات الطهي القابلة للإطالة

العناصر المشعة القابلة للإطالة (B) مشهورة بفضل حقيقة تزويدها بمجالٍ تسخين. يمكنك تشغيل مجال التسخين الداخلي لوحده أو تشغيل كلا المجالين الخارجي والداخلي. مفتاح التحكم (D) يتيح لك الاختيار بين مستويين من الطاقة، الذين يمكن ضبط كل منهما بين قيمة الحد الأدنى 1 والحد الأقصى 12:

- يمكن إعداد الحد الأدنى من الطاقة بواسطة إدارة المفتاح باتجاه عقارب الساعة من 1 حتى 12.
- أدر المفتاح دورة كاملة (⊙)، حتى تسمع طرقة خفيفة لتشغيل الحد الأقصى من مستوى الطاقة. يمكن بهذا الشكل ضبط القيمة بين 12 وحتى 1 بواسطة إدارة المفتاح بعكس اتجاه عقارب الساعة لاسترداد الحد الأدنى من الطاقة، أدر المفتاح وأعدده إلى الوضع 0. لمجالات الطهي المزودة، فإن الجزء الأول من إدارة المفتاح يشغل مجال الطهي الأصغر (الداخلي). لتشغيل الاثنين (الداخلي والخارجي)، من الضروري إدارة المفتاح إدارة كاملة (⊙) ومن ثم اختيار مستوى الطاقة المرغوب به بين 12 وحتى 1.

وسائل حذر ونصائح

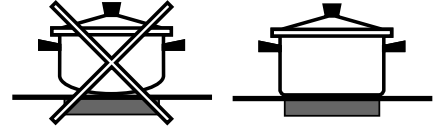
عربي

! تم تصميم هذا الجهاز وتصنيعه طبقاً لمواصفات الأمان العالمية. يتم تزويد التحذيرات التالية لأسباب وقائية ويجب قراءتها بعناية.

نصائح عملية لاستخدام الجهاز

بالإضافة إلى ذلك، للحصول على أفضل النتائج من الرف لديك:

- استخدم أواني بقاعدة سميكة ومسطحة لضمان استقرارها على مجال الطهي بشكل تام.



- استخدم دائماً الأواني ذات القطر الكبير بما فيه الكفاية لتغطية صفيحة التسخين بشكل كامل، بهدف استخدام كل الحرارة المتوفرة.



- تأكد من أن الجهة السفلية من إناء الطهي جافة ونظيفة دائماً لضمان الاستقرار والقدرة على التحمل، ليس لمجالات الطهي فقط بل للأنية نفسها أيضاً.

- امتنع عن استخدام إناء الطهي ذاته الذي تم استخدامه لمحارق الغاز: تركيز الاحتراق في محارق الغاز يمكن أن يكون قد شوه قاعدة الإناء، وسبب له عدم الاستقرار بشكل صحيح.

يذعن هذا الجهاز لإرشادات السوق الأوروبية المشتركة التالية:

CE - 2006/95/EEC من تاريخ 12/12/06 (الفلوطية المنخفضة) والتعديلات اللاحقة؛

2004/108/EEC من تاريخ 15/12/04 (تطابق المغناطيسية الكهربائية) والتعديلات اللاحقة؛

93/68/EEC من تاريخ 22/07/93 والتعديلات اللاحقة.

الوقاية العامة

! تأكد دائماً من أن فتحة التهوية الموجودة بجانب شبكة المروحة غير مسدودة. في الواقع، يجب تزويد رف التسخين المبني بتهوية كافية لتبريد العناصر الإلكترونية المستخدمة في الجهاز.

• تم تصميم الجهاز للاستعمال المنزلي وهو غير معد للاستعمال التجاري أو الصناعي.

• يجب عدم تركيب الجهاز خارج المنزل، حتى وإن كان ذلك في مناطق مغطاة. من الخطر جداً إبقاء الجهاز عرضة للشتاء والعواصف.

• لا تلامس الجهاز وأنت حافي القدمين أو ببيدين ورجلين مبلتين أو رطبتين.

• يجب استخدام الجهاز من قبل البالغين فقط لتحضير الطعام، بموجب التعليمات المزودة في هذه الكراسة. أي استخدام آخر (مثل تدفئة الغرف) من شأنه أن يكون غير صحيح ولذلك أن يلحق الضرر. لن يتحمل المصنع أية مسؤولية عن خطر ينتج عن الاستخدام، غير

الملائم، غير الصحيح وغير اللائق للجهاز.

- لا تستخدم رف التسخين كمسطح عمل أو لوحة قص.
- رف السيراميك الزجاجي مقاوم للارتجاج الميكانيكي، ولكنه يمكن أن يتصدع (أو حتى أن ينكسر) إذا تعرض لصدمة من عنصر حاد مثل أدوات العمل. إذا حدث ذلك، افصل الجهاز عن الشبكة الكهربائية الرئيسية فوراً واتصل بمركز الخدمة.
- تأكد من أن كبلات تزويد الطاقة الخاصة بالأجهزة الكهربائية الأخرى لا تلامس الأجزاء الساخنة من الرف.
- تذكر أن مجالات الطهي تبقى ساخنة نسبياً لحوالي ثلاثين دقيقة على الأقل بعد إيقاف تشغيلها. يزود مؤشر التحذير عند ظهور حرارة متبقية (أنظر بدء التشغيل والاستخدام).
- أبق العناصر القابلة للذوبان بعيداً عن الرف، مثلاً العناصر البلاستيكية والمصنوعة من الألومنيوم، أو المنتجات التي تحتوي على نسبة عالية من السكر. كن حذراً على وجه الخصوص عند استخدام الأشرطة البلاستيكية أو صفائح الألومنيوم للتغليف: إذا تم وضعها على مسطح ما زال ساخناً، يمكن أن تسبب عطباً كبيراً يلحق بالرف.
- تأكد دائماً من إدارة مقابض الإناء باتجاه مركز الرف لتحاشي الحروق العرضية.
- عند فصل الجهاز عن الكهرباء، اسحب دائماً القابس من مقبس الشبكة الرئيسية؛ لا تسحب الكبل.
- لا تقم بأي عملية تنظيف أو صيانة دون فصل الجهاز عن شبكة الكهرباء الرئيسية.
- يجب عدم تشغيل الرف من قبل أشخاص (بمن فيهم الأولاد) ذوي القدرات الجسدية، الشعورية أو العقلية المتدنية، من قبل أشخاص تنقصهم التجربة أو أي شخص ليست له دراية بالمنتج. يمكن توفير النصح لهؤلاء الأشخاص، على الأقل، من قبل شخص يتحمل المسؤولية عن أمانهم أو الحصول على تعليمات أولية متعلقة باستخدام الجهاز.
- لا تدع الأطفال يعثون بالجهاز.
- لا تنظر إلى مصابيح الهلوجين في مجالات الطهي لمدة طويلة في حال وجودها.



التخلص

- عند التخلص من مواد التعبئة: تقيّد بالقوانين المحلية حيث يمكن لمواد التعبئة أن يعاد تصنيعها.
- تنص التوجيهات الأوروبية 2002/96/EC المتعلقة بالأجهزة الكهربائية والإلكترونية التالفة (WEEE) على أنه يجب عدم التخلص من الأجهزة البيئية عن طريق دورة النفايات البلدية الصلبة. يتوجب جمع الأجهزة التالفة على أفراد بهدف تقليل كلفة إعادة استخدام المعادن الموجودة داخل الجهاز وتصنيعها، بينما يتم تحاشي الأضرار الممكنة للغلاف الجوي والصحة العامة. صندوق القمامة المشار إليه بعلامة 'إكس' على كافة المنتجات هو لتذكير المالك بوجود الجمع المنفرد للقمامة.
- لمزيد من المعلومات المتعلقة بالتخلص الصحيح من الأجهزة البيئية التالفة، يمكن للمالكين الاتصال بالخدمات العامة المزودة أو بتاجرهم المحلي.

الإطار الفولاذي المقاوم للصدأ (في الطرازات المزودة بإطار خارجي فقط)

يمكن أن تعلق الفولاذ المقاوم للصدأ بقع شوائب الماء إذا تم إبقاؤه على السطح لمدة طويلة، أو بسبب مواد تنظيف قوية تحتوي على الفوسفور.

بعد التنظيف، يُنصح بشطف المسطح جيدا وتجفيفه تماما. إذا انسكب ماء على المسطح، جففه بسرعة وبشكل تام.

! تحتوي بعض الرفوف على إطارات ألومينيوم تشبه الفولاذ المقاوم للصدأ. لا تستخدم أية مواد تنظيف أو مواد إزالة الدهون غير الملائمة للاستخدام مع الألومينيوم.

تفكيك الرفّ

إذا اقتضت الضرورة تفكيك الرف:

1. حرر البراغي التي تثبت الرفافات في كل جانب.
2. حرر البراغي التي تحمل ملاقط التثبيت في كل زاوية.
3. أخرج الرف من الفجوة التي تم تركيبه فيها.

! لا تحاول تصليح الجهاز بنفسك. إذا تعطل الجهاز، اتصل بمركز الخدمة.

إيقاف تشغيل الجهاز

قم بفصل جهازك عن تزويد الطاقة قبل إنجاز أي عمل عليه.

تنظيف الجهاز

! لا تستخدم مواد التنظيف الكاشطة أو الأكلة (مثل المنتجات الموجودة في حاوية رشاشة لتنظيف الشوايات أو الأفران)، مواد إزالة البقع، المنتجات المقاومة للصدأ، مساحيق التنظيف أو إسفنجات خشنة اللمس: يمكن لذلك أن يخدش السطح بشكل لا يمكن تصليحه.

! لا تستخدم أبدا المنظفات بالبخار أو المنظفات بالضغط مع الجهاز.

• يكفي عادة غسل الرف باستخدام إسفنجة رطبة وتجفيفه بلقافة مطبخ ماصة.

• إذا كان الرف متسخا جزئيا، امسحه بواسطة منتج لتنظيف السيراميك الزجاجي، ثم اشطفه جيدا وجففه تماما.

• لإزالة الأوساخ المستعصية الأخرى، استخدم مكشطة ملائمة. أزل الانسكابات بأسرع وقت ممكن، ولا تنتظر حتى يبرد الرف وذلك لتحاishi تصلب المواد. يمكنك التوصل إلى نتائج ممتازة باستخدام إسفنجة فولاذية مقاومة للصدأ - مصممة خصيصا لتنظيف مسطحات السيراميك الزجاجية - حيث قد تم نقعها بالماء والصابون.

• إذا انسكبت أية مواد بلاستيكية أو تحتوي على السكر عن طريق الصدفة على الرف، أزلها فوراً بواسطة كاشطة، بينما ما زال المسطح ساخنا.

• بعد التنظيف، يمكن الاعتناء بالرف بواسطة منتج صيانة واقية: الشريط الخفي المزود بهذا الجهاز سيجمي المسطح من التلطيح خلال الطهي. يجب إنجاز عملية الصيانة هذه بينما يكون الجهاز دافئا (ليس ساخنا) أو باردا.

• تذكر دائما شطف الجهاز جيدا بالماء النظيف ثم تجفيفه بشكل تام: يمكن للفضلات أن تكون طبقة صلبة خلال عمليات الطهي اللاحقة.

وصف تقني للطرازات،

01/2011 - 195065975.03
XEROX FABRIANO

عربي

يوفر هذا الجدول قائمة بالطرازات المختلفة حول قيم استهلاك الطاقة، نوع عناصر التسخين وقطر كل مجال من مجالات الطهي.

VEM 645 C		VRM 641 D C VRM 641 D X VRM 641 MD IX VRM 641 MD C		الرفوف
القطر (مم)	الطاقة (W)	القطر (مم)	الطاقة (W)	مجال الطهي
210	A 2200	210/140	HD 2200/1000	الخلفي الأيسر
160	H 1400	160	H 1400	الخلفي الأيمن
145	H 1200	145	H 1200	الأمامي الأيسر
180	H 1800	180	H 1800	الأمامي الأيمن
6600		6600		الطاقة الكلية

VRM 630 C VRM 630 M C		VRM 640 C VRM 640 X VRM 640 VRM 640 M IX VRM 640 M C		الرفوف
القطر (مم)	الطاقة (W)	القطر (مم)	الطاقة (W)	مجال الطهي
210	H 2300	180	H 1800	الأيسر الخلفي
160	H 1400	160	H 1400	الأيمن الخلفي
		145	H 1200	الأيسر الأمامي
180	H 1800	180	H 1800	الأيمن الأمامي
5500		6200		الكلية الطاقة

المفتاح:

H = ارتفاع أحادي
HD = ارتفاع مزدوج
A = هلو جين وحيد