

HYGENA RELAX CHAIR

Assembly Instructions - Please keep for future reference

496/5110
457/0598
487/5815

hygena



Dimensions

Width - 88cm

Depth - 93cm

Height - 102cm

Important – Please read these instructions fully before starting assembly

If you need help or have damaged or missing parts, call the **Customer Helpline:** 0345 640 0800
0345 601 2895



Safety and Care Advice

Important – Please read these instructions fully before starting assembly

- Check you have all the components and tools listed on page 2.
- Remove all fittings from the plastic bags and separate them into their groups.
- Keep children and animals away from the work area, small parts could choke if swallowed.
- Make sure you have enough space to layout the parts before starting.

- Do not stand or put weight on the product during assembly, this could cause damage.
- Assemble the item as close to its final position (in the same room) as possible.
- Assemble on a soft level surface to avoid damaging the unit or your floor.
- Parts of the assembly will be easier with 2 people.



- We do not recommend the use of power drill/drivers **for inserting screws**, as this could damage the unit. Only use hand screwdrivers.
- Dispose of all packaging carefully and responsibly.

Care and maintenance

- From time to time check that there are no loose screws on this unit.
- To avoid any risk of suffocation to animals or children dispose of the plastic bags immediately .
- As with all surfaces clean with a damp cloth and mild detergent, do not use bleach or abrasive products.
- This product should not be discarded with household waste. Take to your local authority waste disposal centre.

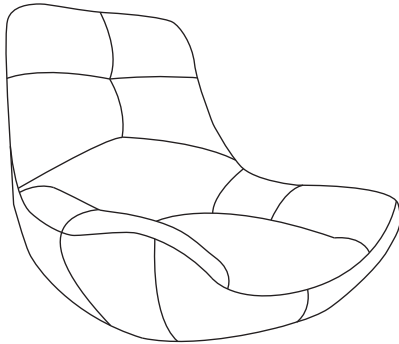
Safety during use

- Do not stand on this chair. Do not use this chair as a step ladder .
- Use this product only for seating one person at a time.
- Do not use this chair unless all bolts,screws and knobs are firmly secured.
- At least every 4 months, check all bolts, screws and knobs , to be sure they are tight .
- If parts are missing, broken or damaged or worn, stop use of this product until repairs are made & using factory authorized parts .
- Failure to follow these warnings could result in serious injury.

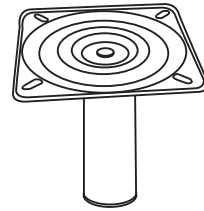
Note: if required the next page can be cut out and used as reference throughout the assembly. Keep this page with these instructions for future reference.

Components - Parts

Please check you have all the parts listed below



(1)SeatX1



(2)Metal plateX1



(3)baseX1

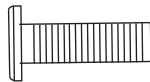
Components - Fittings

If you have damaged or missing components, call the **Customer Helpline:** 0345 640 0800
0345 601 2895

Please check you have all the fittings listed below.

Note: The quantities below are the correct amount to complete the assembly
In some cases more fittings may be supplied than are required.

(4)ScrewX4



(5)WasherX4

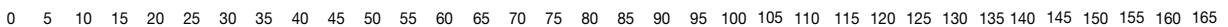


Tools required

(6)SpannerX1



Ruler - Use this ruler to help correctly identify the screws



Assembly Instructions

Step 1

Remove and unpack the parts (2), rotate the metal plate. See Fig 1.

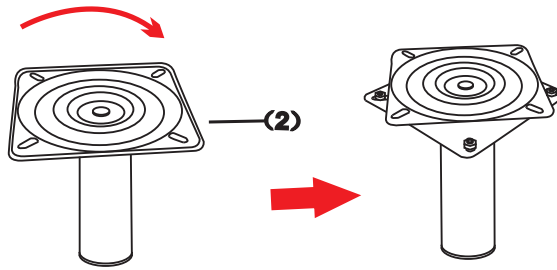


Fig 1.

Step 2

Remove and unpack the fittings and tools use screw(4), washer (5) to fix the metal plate (2)

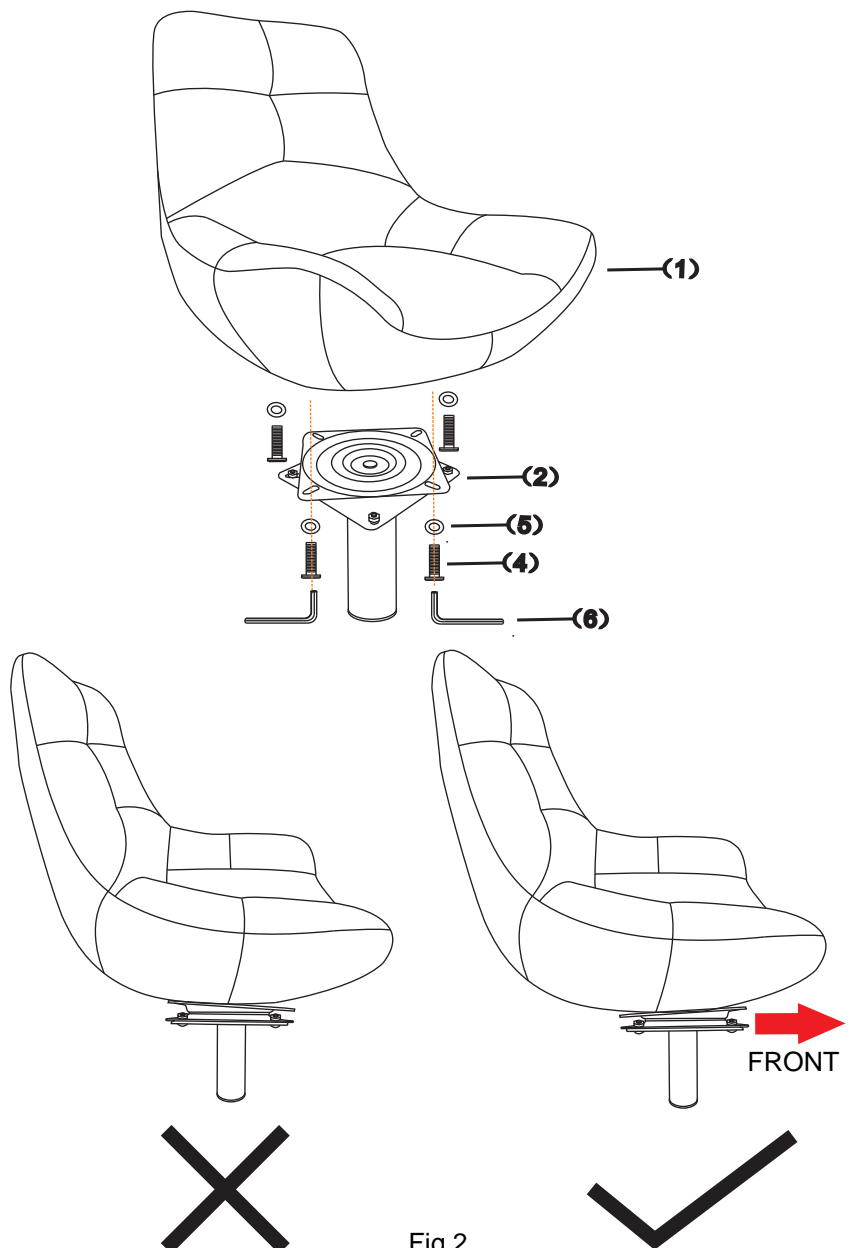


Fig 2.

please note front arrow in the plate. See Fig 2.

Assembly Instructions

Step 3

Insert Metal Plate (2) into the base (3).
See Fig 3.

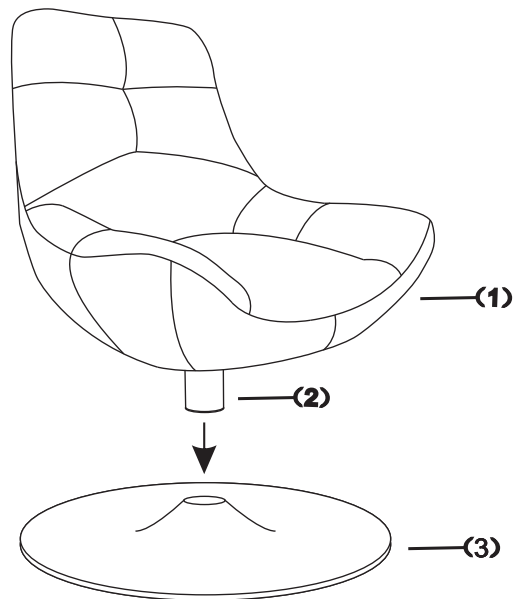


Fig 3.

Step 4

Fitting the seat support

Carefully place the unit in the desired location.

Assembly is completed.

See Fig 4.



Fig 4.

NOTE:if you have damaged or missing components,call the Customer Helpline:03456 400800/ 0345 601 2895
Argos Limited Group,489-499 Avebury Boulevard,Central Milton keynes,MK9 2NW